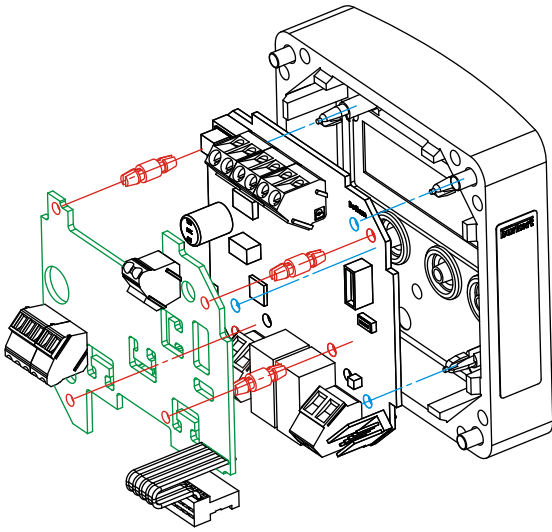


## 8025 STANDARD With relays

### Mechanical assembly

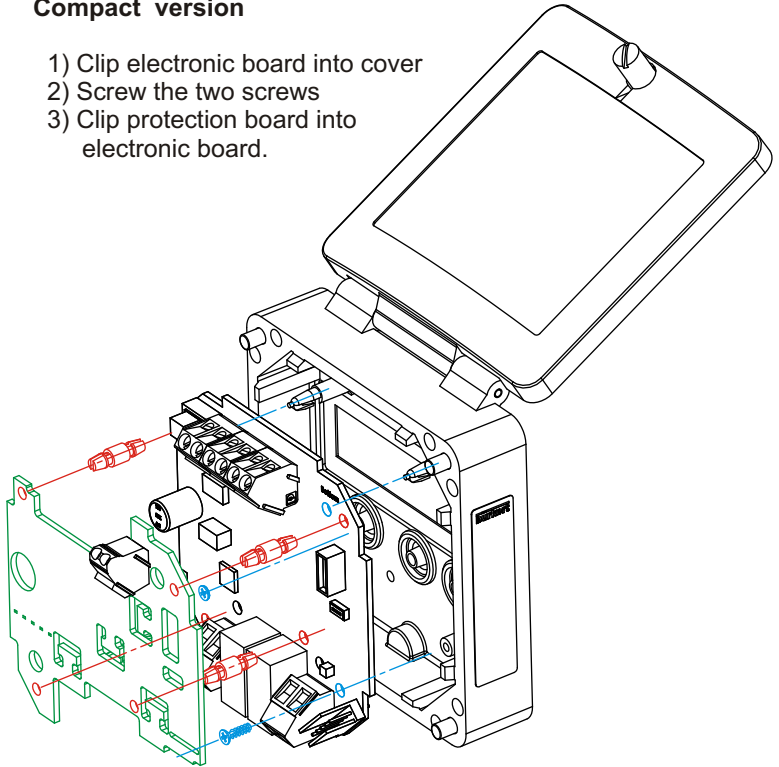
#### Panel-mounted version

- 1) Clip electronic board into cover
- 2) Clip protection board into electronic board.



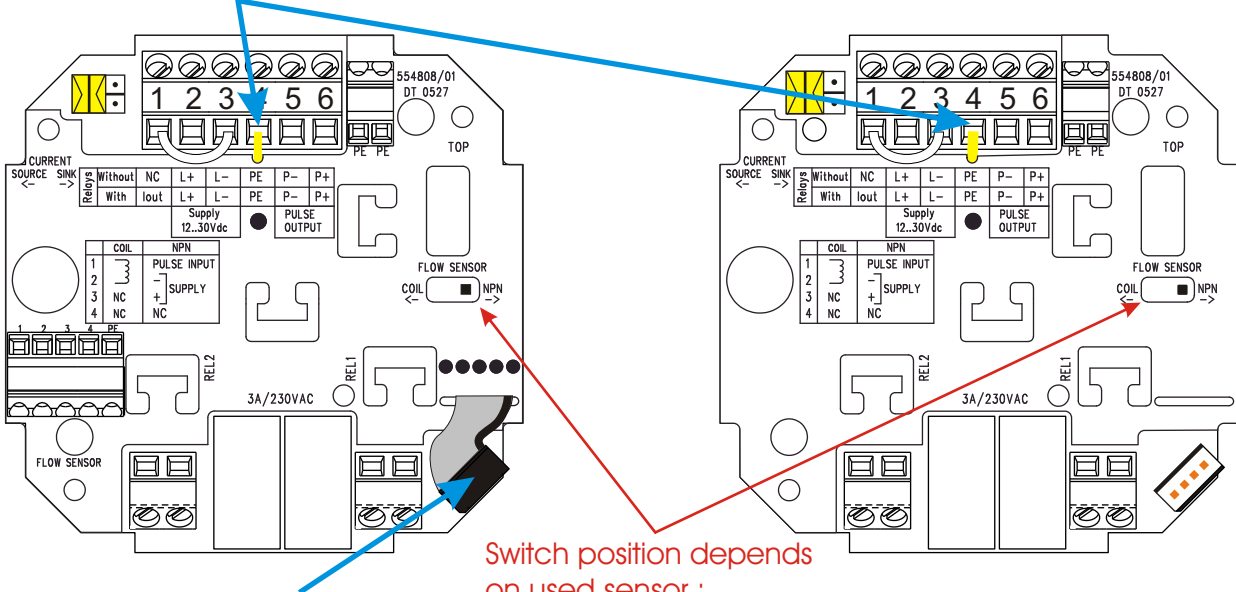
#### Compact version

- 1) Clip electronic board into cover
- 2) Screw the two screws
- 3) Clip protection board into electronic board.



### Connections and switch positioning

- 1) Insert yellow cable and screw terminal



- 2) Insert the sensor connector

Switch position depends on used sensor :

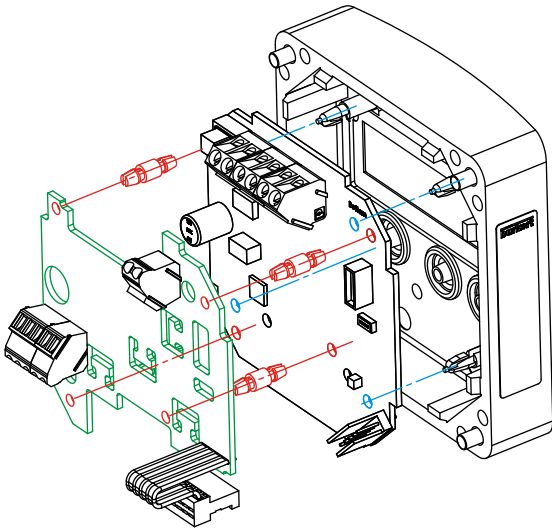
- Coil : coil sensor
- NPN : open collector sensor (Hall for example)

## 8025 STANDARD Without relays

### Mechanical assembly

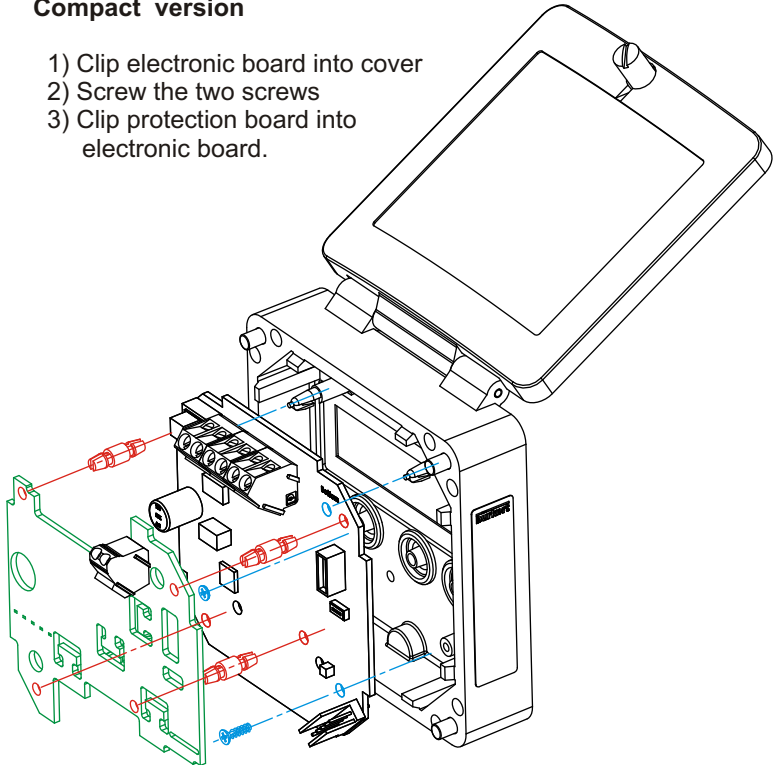
#### Panel-mounted version

- 1) Clip electronic board into cover
- 2) Clip protection board into electronic board.



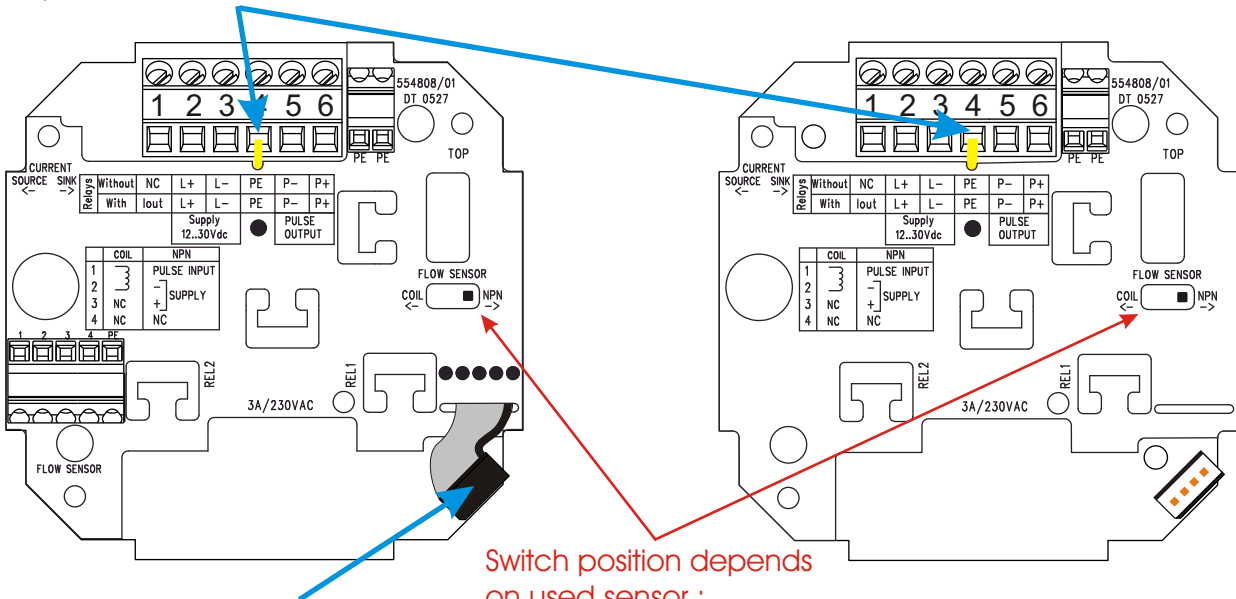
#### Compact version

- 1) Clip electronic board into cover
- 2) Screw the two screws
- 3) Clip protection board into electronic board.



### Connections and switch positioning

- 1) Insert yellow cable and screw terminal



- 2) Insert the sensor connector

Switch position depends on used sensor :

- Coil : coil sensor
- NPN : open collector sensor (Hall for example)