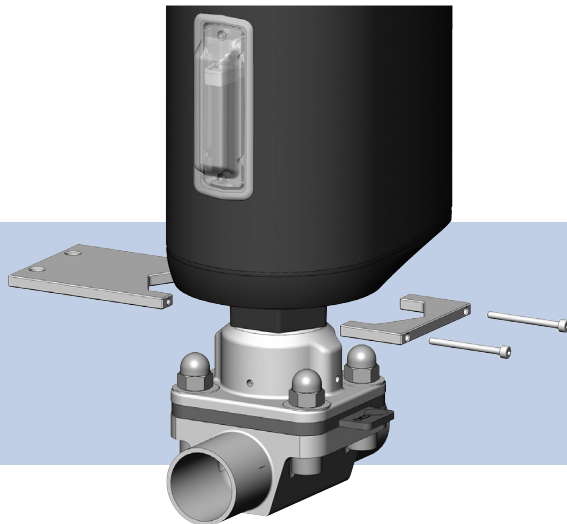


Type 3323, 3363

Haltevorrichtung
Holding device
Dispositif de fixation

Accessories
Zubehör



Address / Adresse

Germany / Deutschland / Allemagne:

Bürkert Fluid Control Systems
Sales Center
Christian-Bürkert-Str. 13-17
D-74653 Ingelfingen

Tel. + 49 (0) 7940 - 10 91 111
Fax + 49 (0) 7940 - 10 91 448

E-mail: info@de.buerkert.com
International: www.burkert.com

Manuals and data sheets on the Internet:
www.burkert.com

Bedienungsanleitungen und Datenblätter im Internet:
www.buerkert.de

Instructions de service et fiches techniques sur
Internet : www.buerkert.fr

© Bürkert Werke GmbH & Co. KG, 2016 - 2017
Accessories Instructions 1707/00_EU-ml_00810540/
Original DE

1 HOLDING DEVICE

1.1 Intended use

The holding device is used to protect the valve actuator from damage due to forces and vibrations.

1.2 Attaching

→ Attach holding device to the hexagon of the actuator as shown in the diagram.

NOTE!

Ensure that the actuator is rotated into the correct position beforehand.

→ Fix the holding device in place using suitable means.

