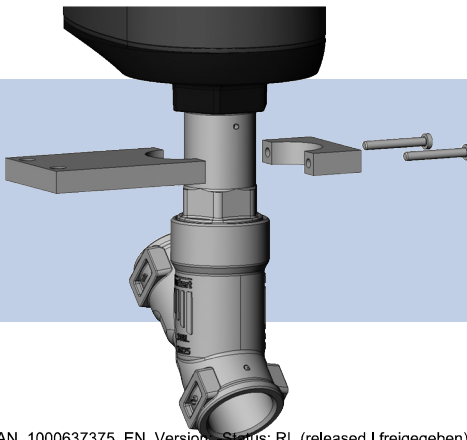


Type 3320, 3321, 3360, 3361

Haltevorrichtung
Holding device
Dispositif de fixation

Accessories
Zubehör



Address / Adresse

Germany / Deutschland / Allemagne:

Bürkert Fluid Control Systems
Sales Center
Christian-Bürkert-Str. 13-17
D-74653 Ingelfingen

Tel. + 49 (0) 7940 - 10 91 111
Fax + 49 (0) 7940 - 10 91 448

E-mail: info@de.buerkert.com

International: www.burkert.com

Manuals and data sheets on the Internet:
www.burkert.com

Bedienungsanleitungen und Datenblätter im Internet:
www.buerkert.de

Instructions de service et fiches techniques sur
Internet : www.buerkert.fr

© Bürkert Werke GmbH & Co. KG, 2015 – 2017
Accessories Instructions 1707/01_EU-ml_00810499/

1 HOLDING DEVICE

1.1 Intended use

The holding device is used to protect the valve actuator from damage due to forces and vibrations.

1.2 Attaching

→ Attach holding device to the pipe between valve body and actuator as shown in the diagram.

If there is a relief bore:

NOTE!

Ensure that the relief bore, which is used to detect leakages, is not covered.

→ Fix the holding device in place using suitable means.

