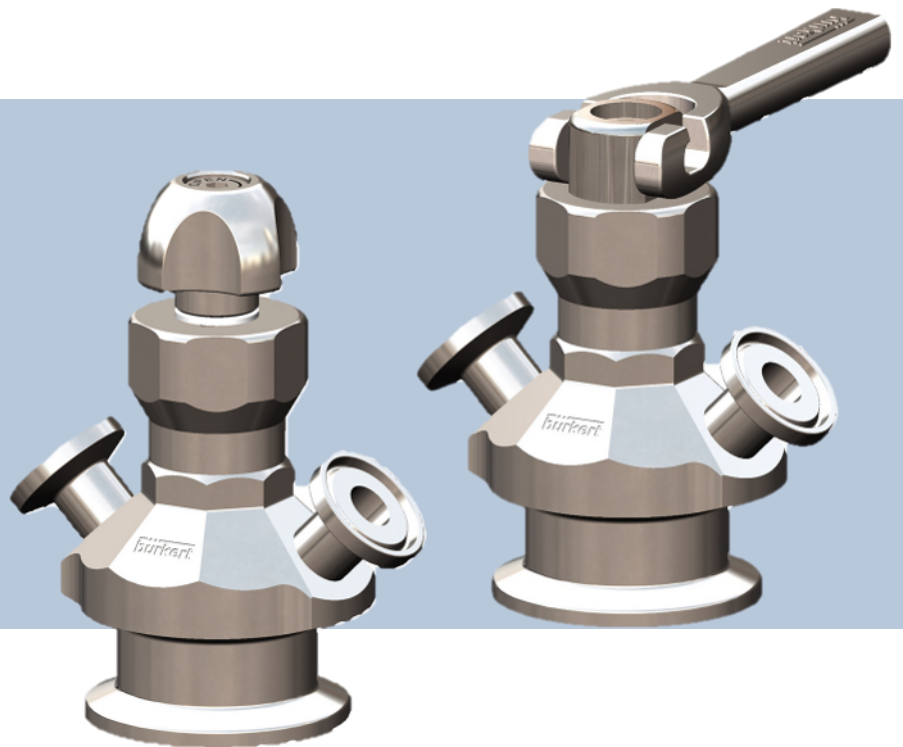


Type 3260

Sampling valve



Operating Instructions

We reserve the right to make technical changes without notice.

© Bürkert Werke GmbH & Co. KG, 2024

Operating Instructions 2410/03_GBen_00815459 / Original EN

Table of contents

1	About this document	4
1.1	Manufacturer	4
1.2	Symbols	4
1.3	Terms and abbreviations	5
2	Safety	6
2.1	Intended use	6
2.2	Safety instructions	6
3	Product description	9
3.1	Product overview device with hand lever actuator	9
3.2	Product overview device with handwheel actuator	10
3.3	Product identification	11
3.3.1	Type label	11
3.4	Functionality	12
4	Technical data	13
4.1	Operating conditions	13
5	Installation	14
5.1	Preparatory work	14
5.2	Valve body with welded connections	14
5.3	Valve body without welded connections	14
6	Commissioning	15
6.1	Before commissioning	15
6.2	Commissioning sample valve	15
7	Maintenance	16
7.1	Cleaning the valve and checking the parts for wear	16
7.2	Replacing the bellows	17
8	Troubleshooting	18
9	Accessories	19
10	Transport and storage	20
11	Disposal	21

1 About this document

The document is an important part of the product and guides the user to safe installation and operation. The information and instructions in this document are binding for the use of the product.

- Before using the product for the first time, read and observe the whole safety chapter.
- Before starting any work on the product, read and observe the respective sections of the document.
- Keep the document available for reference and give it to the next user.
- Contact the Bürkert sales office for any questions.



Further information concerning the product at country.burkert.com.

1.1 Manufacturer

Burkert Fluid Control Systems (Jiangsu) Co., Ltd.

No. 777, Chunxu Rd., Fuqiao Town, Taicang, P.R. China, 215434



The contact addresses are available at country.burkert.com in the menu "Contact".

1.2 Symbols



DANGER!

Warns of a danger that leads to death or serious injuries.



WARNING!

Warns of a danger that can lead to death or serious injuries.



CAUTION!

Warns of a danger that can lead to minor injuries.

NOTICE!

Warns of property damage on the product or the installation.



Indicates important additional information, tips and recommendations.



Refers to information in this document or in other documents.

► Indicates a step to be carried out.

✓ Indicates a result.

Menü Indicates a software user-interface text.

1.3 Terms and abbreviations

The terms and abbreviations are used in this document to refer to following definitions.

Device	Sampling valve Type 3260
bar	Unit for relative pressure

2 Safety

2.1 Intended use

Prerequisites for safe and trouble-free operation are correct proper transportation, storage, installation, start-up, operation and maintenance.

The instructions are part of the device. The device is intended exclusively for use within the scope of these instructions. Uses of the device that are not described in these instructions, the contractual documents or the type label can lead to severe personal injury or death, damage to the device or property and dangers for the surrounding area or the environment.

- ▶ Only trained and qualified personnel may install, operate and maintain the device. See qualification of persons in [Safety instructions](#) [▶ 6]
- ▶ Use the device only in conjunction with third-party devices and components recommended and authorized by Bürkert.
- ▶ Use the device only when it is in perfect condition.
- ▶ Do not use the device in potentially explosive atmosphere.
- ▶ Observe the Operating conditions temperature ranges listed.
- ▶ The sampling valve should be operated under certain parameters such as pressure, temperature and medium. In order to ensure that the sampling valve does not malfunction during the running time, the valve should be regularly and systematically maintained and tested.

2.2 Safety instructions

Qualification of personnel working with the device

Improper use of the device can lead to serious personal injury or death. To avoid accidents when working with the device, the following minimum requirements must be met:

- ▶ Carry out work on the device within the scope of these instructions in a safety-compliant manner.
- ▶ Detect and avoid dangers when working on the device.
- ▶ Understand the instructions and implement the information contained therein accordingly.

Responsibility of the operator

The operator is responsible for observing the location-specific safety regulations, also in relation to personnel.

- ▶ Observe the general rules of technology.
- ▶ Install the device according to the regulations applicable in the respective country.
- ▶ The operator must make hazards arising from the location of the device avoidable by providing appropriate operating instructions.

Changes and other modifications, spare parts and accessories

Changes to the device, incorrect installation or use of non-approved devices or components create hazards that can lead to accidents and injuries.

- ▶ Do not make any changes to the device.
- ▶ Do not mechanically load the device.

- ▶ Observe the operating instructions of the device or component used.
- ▶ Only use the devices in conjunction with approved devices or components.

Spare parts and accessories that do not meet Bürkert's requirements may impair the operational safety of the device and cause accidents.

- ▶ To ensure operational safety, only use original parts from Bürkert.

Working on the device

Working on the device that has not been powered down, unauthorised switching on or uncontrolled start-up of the system can cause accidents. This can lead to serious personal injury or death.

- ▶ Only work on the device when it is not in use.
- ▶ Ensure that the device or system cannot be switched on unintentionally.
- ▶ Only start the process in a controlled manner following disruptions. Observe sequence:
 1. Apply supply voltage or pneumatic supply.
 2. Charge the device with medium.

Mechanical moving parts

- ▶ Do not open the actuator.
- ▶ Do not reach into the openings.

Operation only after proper transport, storage, installation, start-up or maintenance.

Improper transport, storage, installation, start-up or maintenance endanger the operational safety of the device and can cause accidents. This can lead to serious personal injury or death.

- ▶ Only carry out works which are described in these instructions.
- ▶ Only carry out works using suitable tools.
- ▶ Have all other works carried out by Bürkert only.

Technical limit values and media

Non-compliance with technical limit values or unsuitable media can damage the device and lead to leaks. This can cause accidents and seriously injure or kill people.

- ▶ Comply with limit values. See [Technical data \[▶ 13\]](#) and information on the type label.
- ▶ Only feed media into the media ports that are listed in the chapter [Technical data \[▶ 13\]](#).
- ▶ Observe the safety data sheet for the media used.

Medium under pressure

Medium under pressure can seriously injure people. In the event of overpressure or pressure surges, the device or lines can burst. Pneumatic lines that are defective or not securely fastened can come loose and swing around.

- ▶ Before working on the device or system, switch off the pressure. Vent or empty the lines.
- ▶ Adhere to the permitted pressure ranges of the medium.
- ▶ Comply with the permitted temperature ranges of the medium.

Hot Device

If the sampling valve and the connected equipment are working at high temperature, the warning mark shall be affixed. As the valve is a metal device, there may be a risk of high temperature scald.

- ▶ Do not touch the sampling valve to prevent scald.

3 Product description

3.1 Product overview device with hand lever actuator

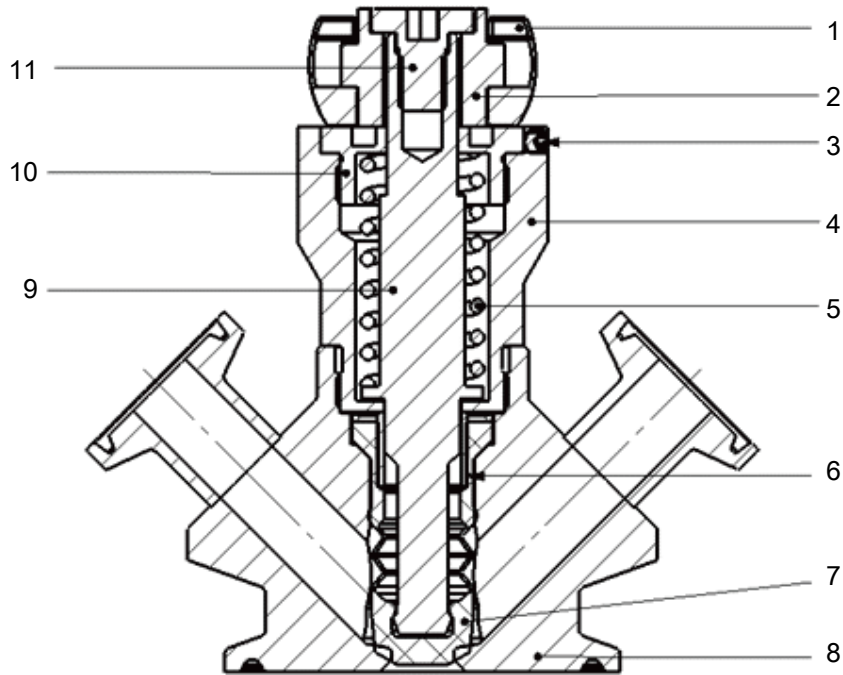


Fig. 1: Device with hand lever actuator

1 Lever	2 Valve cap
3 Locking screw	4 Housing
5 Compressed spring	6 Axle sleeve
7 Bellows	8 Valve body
9 Valve spindle	10 Press connector
11 Screw	

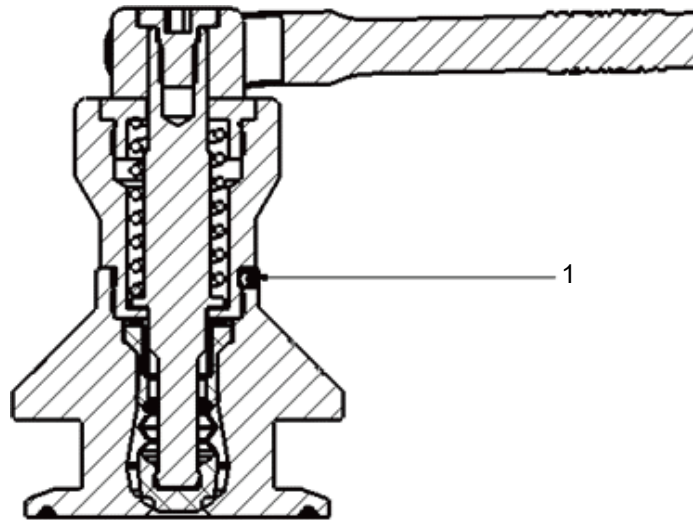


Fig. 2: Device with hand lever actuator

1 Locking screw for valve body

3.2 Product overview device with handwheel actuator

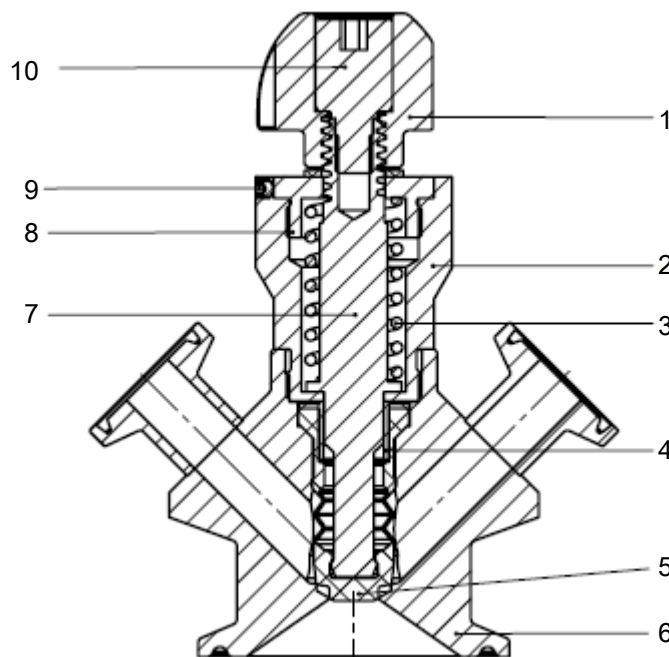


Fig. 3: Device with handwheel actuator

1 Handwheel	2 Housing
3 Compressed spring	4 Axle sleeve
5 Bellows	6 Valve body
7 Valve spindle	8 Press connector
9 Locking screw	10 Screw

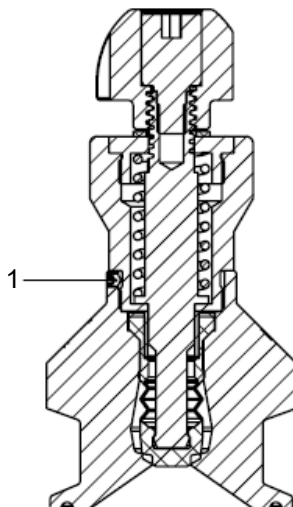


Fig. 4: Device with handwheel actuator

1 Locking screw for valve body

3.3 Product identification

3.3.1 Type label

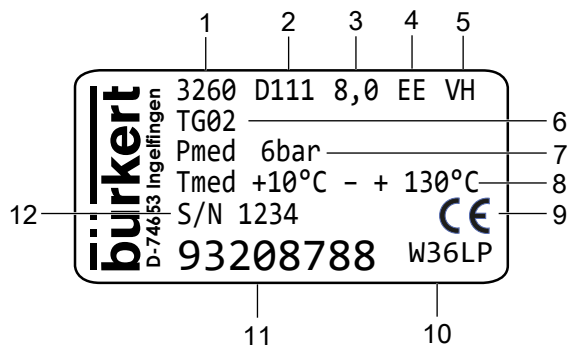


Fig. 5: Type label Type 3260 (example)

1 Type	2 Actuator
3 Nominal diameter	4 Seal material
5 Body material	6 Port connection
7 Medium pressure	8 Medium temperature
9 CE marking	10 Manufacture code
11 Article number	12 Serial number

3.4 Functionality

The bellows is attached to the valve stem. The bellows can be cleaned or sterilized in the closed position (when it is pressed against the sampling open). The sample is taken when the bellows is removed from the sampling opening. Sampling and cleaning (or sterilisation) of the sampling valve are controlled by the actuator.

Hand lever actuator

The valve is opened and closed by operating the hand lever and changing the stroke of the valve spindle.

Handwheel actuator

The valve is opened and closed by turning the handwheel and changing the stroke of the valve spindle.

4 Technical data

4.1 Operating conditions

Ambient temperature	+5...+90 °C
Medium temperature	+10...+130 °C
Operating pressure	0...2.4 bar
Relative air humidity	< 98 %

5 Installation



Risk of injury or material damage when working on the device or system.

- ▶ Read and observe the chapter [Safety \[▶ 6\]](#) before working on the device or system.

5.1 Preparatory work

- ▶ Clean the pipe from dirt, debris, rust, etc. before installing the valve.
- ▶ Ensure that the flow direction of the medium corresponds to the direction of the arrow on the valve body.
- ▶ Ensure that the valve pressure corresponds to the pressure of the pipe or tank medium.
- ▶ If the valve diameter is smaller than the pipe diameter, use a reducer. The length of the reducer must be according to the corresponding standard.
- ▶ The flat seal between the base of the sampling valve body and the pipe or container equipment must be installed in place without deviation.
- ▶ The outermost clamp or flat seal must also be installed in the right position and tightened properly to prevent leakage.

5.2 Valve body with welded connections

- ▶ Move the valve to the open position.
- ▶ Unscrew the locking screw on the valve body (locking screw position see [Device with handwheel actuator \[▶ 11\]](#)).
- ▶ Lift the hand lever or handwheel.
- ▶ Remove the actuator from the valve body.
- ▶ Weld the valve body into the tank or pipework system.
- ▶ Reassemble the actuator in reverse order. The tightening torque between actuator and valve body is 40 +5 Nm.

5.3 Valve body without welded connections

- ▶ Connect the valve body with the components required for the connections to the tank or pipework system.

6 Commissioning



Risk of injury or material damage when working on the device or system.

- ▶ Read and observe the chapter **Safety** [▶ 6] before working on the device or system.

6.1 Before commissioning

- ▶ Before commissioning, test the installed valves to ensure proper function.

6.2 Commissioning sample valve

After commissioning the actuator, check whether the valve spindle runs smoothly and whether hysteresis occurs throughout the entire stroke.



DANGER!

Medium under pressure

Medium under pressure can seriously injure people. Device or lines can burst.

- ▶ Do not tighten or loosen the nut on the actuator.
- ▶ Do not change the spring adjustment force.
- ▶ Do not loosen the stroke of the actuator and handwheel valve stem.

7 Maintenance



Risk of injury or material damage when working on the device or system.

- ▶ Read and observe the chapter [Safety \[▶ 6\]](#) before working on the device or system.

Sample valve maintenance mainly includes the following two aspects according to operational requirements:

- Cleaning the valve and checking the parts for wear
- Replacing the bellows
- ▶ To ensure tightness between the valve body and the valve spindle, tighten the actuator regularly.

NOTICE!

Damage to the bellows

If the bellows brushes the valve body, it can be damaged.

- ▶ Before dismantling the actuator or replacing the bellows, move the valve to the open position.

7.1 Cleaning the valve and checking the parts for wear

The regular inspection and disassembly of valves for cleaning requires the following work steps:

- ▶ Before disconnecting the valve from the pipelines:
 - Shut down the system.
 - Close all media inputs connected to the valve.
 - Drain pipelines, device and system.
- ▶ Loosen the appropriate clamps or fasteners to separate the entire sampling valve from the line.
- ▶ Loosen the locking screws on the valve body, disassemble the sampling valve actuator and loosen the bellows.

NOTICE!

- ▶ When replacing the valve, do not turn the handle, otherwise the valve spindle may come loose.

7.2 Replacing the bellows

NOTICE!

Damage to the bellows

- ▶ Before dismantling the actuator or replacing the bellows, move the valve to the open position.
- ▶ Only assemble or disassemble the bellows using suitable tools. Do not use sharp objects.
- ▶ Do not use force.

The bellows is an important part of the sampling valve. Since it is fragile, the following precautions should be taken when disassembling it:

- ▶ Unscrew the locking screw on the valve body.
- ▶ Lift the hand lever or handwheel to remove the actuator from the valve body.

Use the bellows removal tool (ID 93106811) to remove the bellows in the following steps:

- ▶ Open the hand lever or handwheel, close it again.
- ▶ Insert the bellows removal tool between the bellows and the cavity.
- ▶ Open the hand lever or handwheel again.
 - ✓ The bellows can be removed.
- ▶ Before installing the new bellows, stretch and compress the new bellows by hand for 3 times.
- ▶ Push the new bellows into the valve spindle with a uniform force.
- ▶ Reassemble the sampling valve in reverse order.

The tightening torque between actuator and valve body is 40 +5 Nm.

8 Troubleshooting



When replacing the bellows, tighten the hand lever or handwheel with a tightening torque of 40 N so that the contact surfaces lie flat on top of each other.

Tighten the locking screw for valve body with a tightening torque of 0.8 N.

Malfunction	Cause	Service
Low flow per unit of time	Valve spindle stroke too low	Adjust handwheels or hand lever correctly
Excessive leakage when valve is closed	Wear of the valve seat surface	Grind or replace valve seat
	Valve seat is corroded	Replace valve seat
	Solid particles in the valve seat	Clean valve body
	Airtight valve seat ring damaged	Replace bellows

Tab. 1: Troubleshooting

9 Accessories

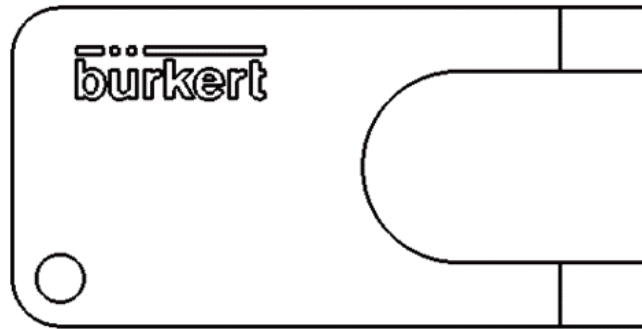


Fig. 6: Bellows removal tool

Accessories	article number
Bellows removal tool	93106811

10 Transport and storage

- ▶ Store the device in a ventilated and dry environment. There must be no corrosive gases in the surrounding atmosphere.
- ▶ Ensure that the device cannot turn over.
- ▶ Make sure the device is not exposed to vibrations.
- ▶ When loading and unloading, attach flexible clamps (e.g. rubber pads) to protect the valve body and actuator against shock and damage.

11 Disposal

- ▶ At the end of the sampling valve's useful life (i.e. if the device is scrapped), disassemble the device and dispose of it properly sorted according to recyclable materials.
- ▶ Observe national regulations when disposing of materials.
- ▶ Improper disposal can cause environmental damage.