

## Type 8200

Direct Welding  
Sondenhalter für direkte Schweißung  
Support à souder



## Operating Instructions

Bedienungsanleitung  
Manuel d'utilisation

We reserve the right to make technical changes without notice.  
Technische Änderungen vorbehalten.  
Sous réserve de modifications techniques.

© 2013 Bürkert SAS

Operating Instructions 1304/0\_EU-ML\_00564992\_Original\_FR

<b>1. ABOUT THIS MANUAL</b> .....	<b>4</b>	<b>7.2. Installation onto the pipe</b> .....	<b>10</b>
<b>1.1. Symbols used</b> .....	<b>4</b>	<b>7.3. Inserting the probe</b> .....	<b>11</b>
<b>1.2. Definition of the word "holder"</b> .....	<b>4</b>	7.3.1. Operating mode .....	11
<b>2. INTENDED USE</b> .....	<b>5</b>	7.3.2. The pressure evacuation holes feature .....	12
<b>3. BASIC SAFETY INFORMATION</b> .....	<b>5</b>	<b>8. MAINTENANCE AND TROUBLESHOOTING</b> .....	<b>12</b>
<b>4. GENERAL INFORMATION</b> .....	<b>6</b>	<b>8.1. Safety instructions</b> .....	<b>12</b>
4.1. International contacts .....	6	<b>8.2. Maintenance</b> .....	<b>13</b>
4.2. Warranty conditions .....	6	<b>8.3. Cleaning</b> .....	<b>13</b>
4.3. Information on the Internet.....	6	8.3.1. Cleaning in place (CIP).....	13
<b>5. DESCRIPTION</b> .....	<b>7</b>	8.3.2. Cleaning the interior of the direct welding holder .....	13
5.1. Area of application .....	7	8.3.3. Care of o-rings.....	14
5.2. Available version .....	7	<b>9. SPARE PARTS AND ACCESSORIES</b> .....	<b>15</b>
5.3. General description .....	7	<b>10. PACKAGING AND TRANSPORT</b> .....	<b>15</b>
<b>6. TECHNICAL DATA</b> .....	<b>8</b>	<b>11. STORAGE</b> .....	<b>15</b>
6.1. Conditions of use.....	8	<b>12. DISPOSAL OF THE PRODUCT</b> .....	<b>16</b>
6.2. Dimensions .....	8		
6.3. Materials .....	9		
<b>7. INSTALLATION, COMMISSIONING</b> .....	<b>9</b>		
7.1. Safety instructions.....	9		

## 1. ABOUT THIS MANUAL

This manual describes the entire life cycle of the direct welding holder. Please keep this manual in a safe place, accessible to all users and any new owners.

### **This manual contains important safety information.**

Failure to comply with these instructions can lead to hazardous situations.

- This manual must be read and understood.

### 1.1. Symbols used



#### **DANGER**

##### **Warns against an imminent danger.**

- Failure to observe this warning can result in death or in serious injury.



#### **WARNING**

##### **Warns against a potentially dangerous situation.**

- Failure to observe this warning can result in serious injury or even death.



#### **ATTENTION**

##### **Warns against a possible risk.**

- Failure to observe this warning can result in substantial or minor injuries.

#### **NOTE**

##### **Warns against material damage.**

- Failure to observe this warning may result in damage to the fitting or system.



Indicates additional information, advice or important recommendations.



Refers to information contained in this manual or in other documents.

→ Indicates a procedure to be carried out.

### 1.2. Definition of the word "holder"

The word "holder" used within this manual refers to the direct welding holder type 8200.

## 2. INTENDED USE

**Use of the direct welding holder that does not comply with the instructions could present risks to people, nearby installations and the environment.**

- The 8200 direct welding holder is a holder welded onto a pipe and into which an analytical probe is inserted.
- Use the holder in compliance with the specifications and conditions of commissioning and use given in the contractual documents, in these operating instructions and in the operating instructions for the device which is inserted into it.
- Safe and trouble-free operation of the holder depends on its proper transport, storage and installation, as well as careful operation and maintenance.
- Only use the holder as intended.

→ Observe any existing restraints when the holder is exported.

## 3. BASIC SAFETY INFORMATION

This safety information does not take into account:

- any contingencies or occurrences that may arise during installation, use and maintenance of the holders.
- the local safety regulations for which the operating company is responsible including the staff in charge of installation and maintenance.



**Danger due to high pressure in the installation.**

**Danger due to high temperatures of the fluid.**

**Danger due to the nature of the fluid.**



**Various dangerous situations**

To avoid injury take care:

- Prevent any unintentional power supply switch-on.
- To ensure that installation and maintenance work are carried out by qualified, authorised personnel in possession of the appropriate tools.
- Use the holder only if in perfect working order and in compliance with the instructions provided in the instruction manual.
- To replace defective parts immediately.
- Observe the general technical rules when installing and using the holder.
- Not to fix, assemble or maintain the holder in explosive atmospheres.



#### **Various dangerous situations**

To avoid injury take care:

- not to use fluid that is incompatible with the materials from which the holder is made.
- not to use the holder in an environment incompatible with the materials from which it is made.
- not to subject the holder to mechanical loads (by placing objects on top of it or by using it as a step, for example).
- not to paint the internal or external threaded parts.

#### **NOTE**

##### **The holder may be damaged by the fluid in contact with.**

- Systematically check the chemical compatibility of the component materials of the holder and the fluids likely to come into contact with it (for example: alcohols, strong or concentrated acids, aldehydes, alkaline compounds, esters, aliphatic compounds, ketones, halogenated aromatics or hydrocarbons, oxidants and chlorinated agents).
- Contact with salt solutions and concentrated acids can result in corrosion.

## **4. GENERAL INFORMATION**

### **4.1. International contacts**

You may also contact your local Bürkert sales office.

The addresses of our international sales offices are available on the internet at: [www.burkert.com](http://www.burkert.com)

### **4.2. Warranty conditions**

The condition governing the legal warranty is the conforming use of the 8200 in observance of the operating conditions specified in these operating instructions.

### **4.3. Information on the Internet**

You can find these operating instructions and technical data sheets regarding the type 8200 at: [www.burkert.com](http://www.burkert.com)

## 5. DESCRIPTION

### 5.1. Area of application

The 8200 direct welding holder is a holder welded onto a pipe and into which an analytical probe is inserted. It is developed especially for applications in biotechnology and pharmaceuticals with great demands for cleanliness.

### 5.2. Available version

The direct welding holder exists in a single version with order code: **561728**.

The certificate 3.1 is supplied with all the holders.

### 5.3. General description

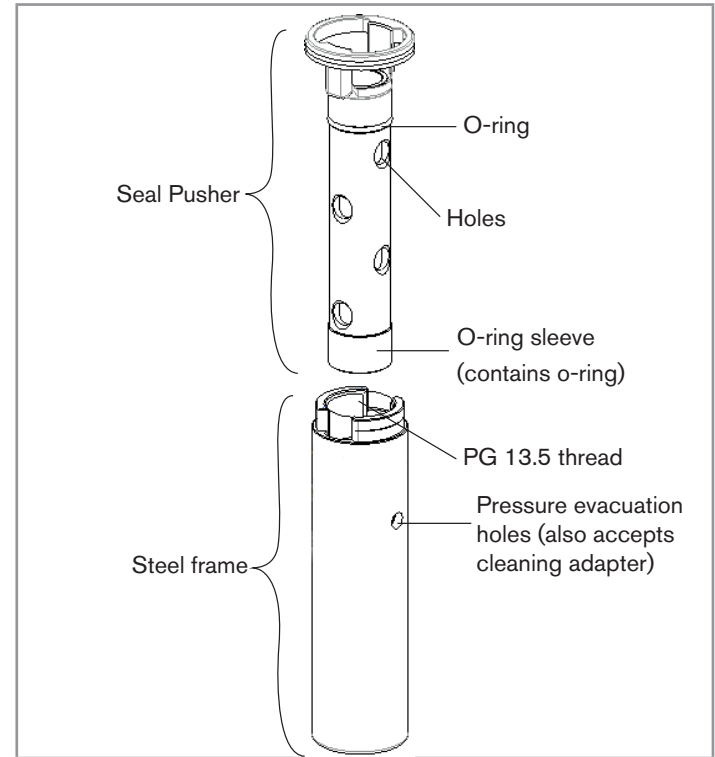


Fig. 1: Description of the holder

## 6. TECHNICAL DATA

### 6.1. Conditions of use

Fluid temperature	-30 to 140°C max. Temperature limits may depend on the inserted probe. Refer to the relevant operating instructions. If the temperature ranges given for the holder and the inserted probe are different, use the most restrictive range.
Pressure class	16 bar max. Pressure limits may depend on the inserted probe. Refer to the relevant operating instructions. If the pressure ranges given for the holder and the inserted probe are different, use the most restrictive range.

### 6.2. Dimensions

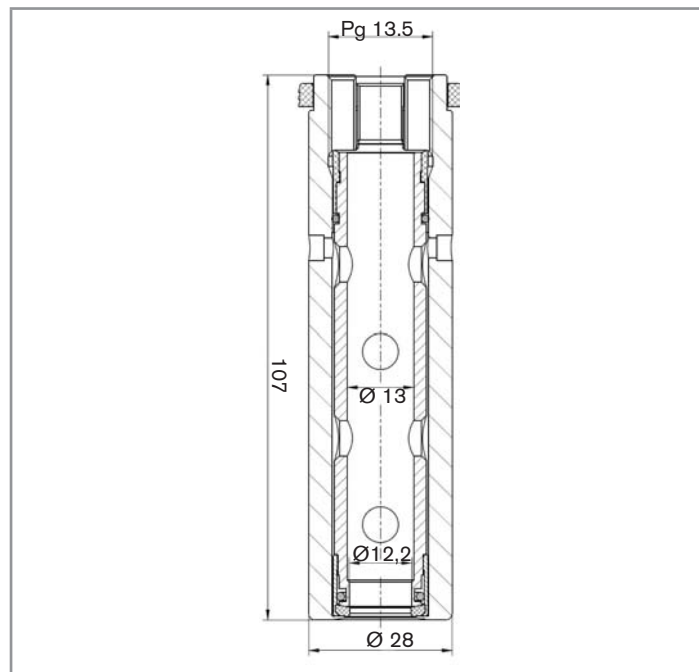


Fig. 2: Dimensions [mm] of the direct welding holder



### 6.3. Materials

Part	Material
Steel frame	Stainless steel
O-ring	EPDM
Seal pusher	Stainless Steel

## 7. INSTALLATION, COMMISSIONING

### 7.1. Safety instructions



#### **DANGER**

##### **Risk of injury due to high pressure in the installation.**

- Stop the circulation of fluid, cut-off the pressure and drain the pipe before loosening the process connections.

##### **Risk of injury due to high fluid temperatures.**

- Use safety gloves to handle the holder.
- Stop the circulation of fluid and drain the pipe before loosening the process connections.

##### **Risk of injury due to the nature of the fluid.**

- Respect the prevailing regulations on accident prevention and safety relating to the use of hazardous products.



#### **WARNING**

##### **Risk of injury due to nonconforming installation.**

- Fluidic installation can only be carried out by qualified and authorised personnel with the appropriate tools.
- Observe the installation instructions for the measuring device inserted into the fitting or the adapter.

##### **Risk of injury due to an uncontrolled restart.**

- Ensure that the restart of the installation is controlled after any interventions on it.

**! WARNING**

**Danger due to nonconforming commissioning.**

Nonconforming commissioning may lead to injuries and damage the holder and its surroundings.

- Before commissioning, make sure that the staff in charge have read and fully understood the contents of the manual.
- In particular, observe the safety recommendations and intended use.
- The installation must only be commissioned by suitably trained staff.

**! WARNING**

**Gases or liquids can leak out undetected through the seals or the screws.**

- Check regularly the holder for leaks.

**! WARNING**

**Before initial operation of the holder, or after a long out-of use period:**

- Ensure that the seal is tight.
- Ensure that all parts are in working order.

## 7.2. Installation onto the pipe

**! WARNING**

**Risk of injury if the recommendations on installation of the measuring device inserted into the holder are not observed (see the relevant operating instructions).**

- Take account of the recommendations on installation of the inserted probe.

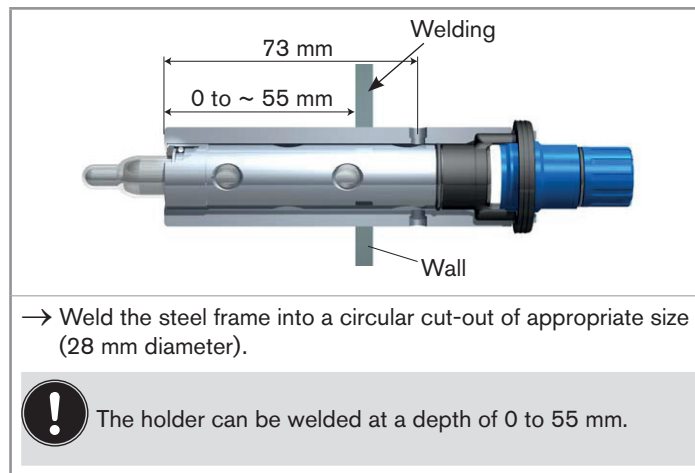


Fig. 3: Dimensions [mm] for the installation of the holder onto the pipe

### 7.3. Inserting the probe

**!** The holder is intended only for mounting probes with a length of 120 mm.

**!** Make sure the welded area has cooled down before inserting the probe.

- Ensure there is no damage to the probe or the holder.
- Check that all o-rings are in place in their appropriate grooves, and are free of damage.
- Insert the seal pusher.
- Screw the probe into the PG 13.5 thread at a locking torque between 2 and 3 Nm.

#### 7.3.1. Operating mode

When a probe is screwed into the direct welding holder, the seal pusher presses the o-ring into the space between the steel frame and the probe shaft. This seals the probe in a manner that almost completely eliminates crevices and their associated risk of contamination.

When the probe is loosened, the o-ring relaxes again. This lowers the friction between the o-ring and the other parts of the assembly, and the process is no longer sealed.

If this takes place while the process is still under pressure, the pressure evacuation holes feature (see chap. 7.3.2), automatically comes into use.

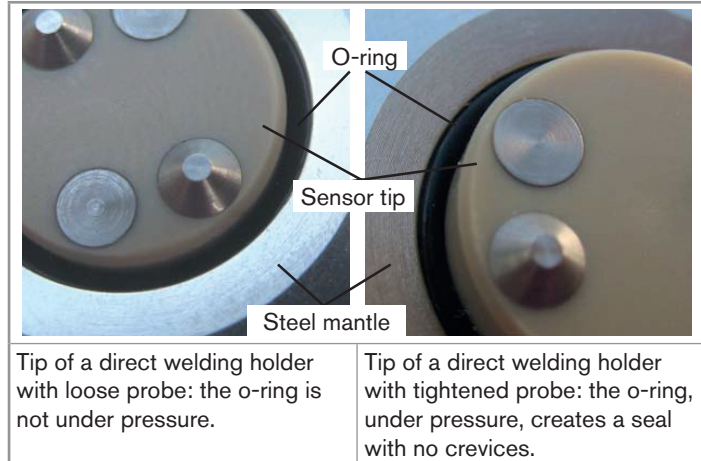


Fig. 4: Tip of a direct welding holder with loose or tightened probe

### 7.3.2. The pressure evacuation holes feature

The direct welding holder is equipped with a safety mechanism, to prevent danger to service personnel.

If the probe is unscrewed while there is still pressure in the process, the o-ring between the probe and the steel frame of the holder loses its seal. In this case, process medium enters the holder and exits through the pressure evacuation holes before the probe is loosened entirely (thereby informing the personnel that there is still pressure in the process).

In this case, tighten again the probe until the process is no longer under pressure. The probe can be then safely removed.

## 8. MAINTENANCE AND TROUBLESHOOTING

### 8.1. Safety instructions



#### **DANGER**

##### **Risk of injury due to high pressure in the installation.**

- Stop the circulation of fluid, cut-off the pressure and drain the pipe before loosening the process connections.

##### **Risk of injury due to high fluid temperatures.**

- Use safety gloves to handle the holder.
- Stop the circulation of fluid and drain the pipe before loosening the process connections.
- Keep all easily flammable fluid or material away from the holder.

##### **Risk of injury due to the nature of the fluid.**

- Respect the prevailing regulations on accident prevention and safety relating to the use of aggressive fluids.



#### **WARNING**

##### **Risk of injury due to nonconforming maintenance.**

- Maintenance must only be carried out by qualified and skilled staff with the appropriate tools.
- Ensure that the restart of the installation is controlled after any interventions.

## 8.2. Maintenance



### WARNING

#### After repairs or maintenance.

- Ensure that the seal is tight.
- Ensure that all parts are in working order.

### NOTE

Special attention must be given in the maintenance plan to the o-rings. The o-rings used in direct welding holder are consumable parts, and their life expectancy depends on the conditions in which they operate. If the temperature frequently exceeds 100°C, the o-rings must be replaced each time the probe is unscrewed, because they are easily deformed under conditions of high temperature. If replacement of o-rings according to the plan is not followed, leakage can occur.

- Check and replace o-rings as required; always replace at least once a year.
- Check that the probe is tightly screwed into the holder. (Weekly check recommended.)
- Perform CIP cleaning as required by the type of process.
- Clean the holder by means of the holes, if contamination with medium.
- Thoroughly clean the interior of the holder and the seal pusher if the probe breaks.

## 8.3. Cleaning

### NOTE

#### The holder may be damaged by the cleaning product.

- Clean the holder with a cloth dampened with water or a detergent compatible with the materials the cleaning is made of.
- Never use scouring agent containing hard particles.

### 8.3.1. Cleaning in place (CIP)

If the installation into which the probe is built is being cleaned, the parts of the holder and the probe that are normally in contact with the medium (now in contact with the cleaning liquid) can be cleaned in place, together with the rest of the installation.

### 8.3.2. Cleaning the interior of the direct welding holder

If the space between probe and steel frame in the interior of the holder becomes contaminated, it can be cleaned easily by fitting cleaning adapters (not supplied by Bürkert) to the (non-threaded) holes in the wall of the steel frame, and injecting a suitable cleaning fluid. Alternatively, you can steam-sterilize.

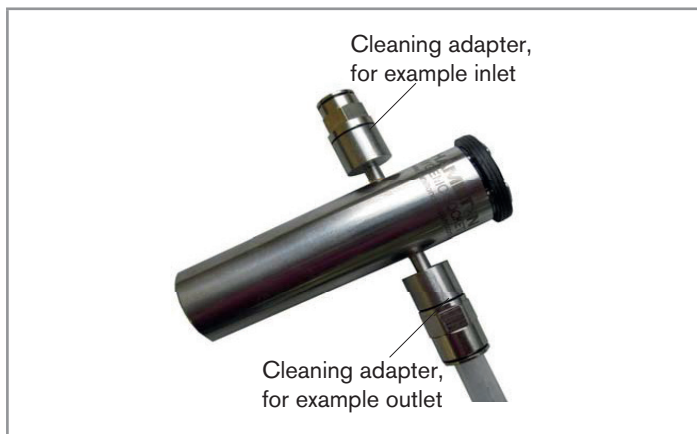


Fig. 5: Cleaning of the holder with cleaning adapters

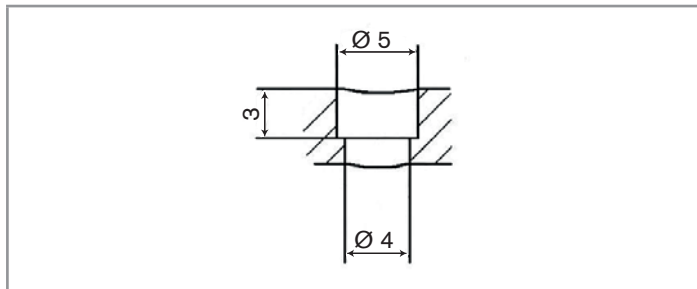
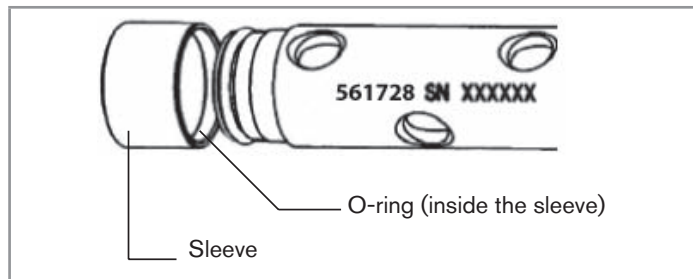


Fig. 6: Dimensions [mm] of a hole for cleaning adapters

### 8.3.3. Care of o-rings



- Check the o-rings from time to time.
- When mounting a new o-ring, take care not to damage the o-ring nut and the o-ring. Otherwise the tightness can no longer be guaranteed.



To replace the front o-ring:

- Forcefully pull the sleeve from the seal pusher
- Replace the o-ring



In higher temperature cycles (100 to 140°C) replace the o-ring each time the probe is unscrewed. This is because the compression set of EPDM must be considered (DIN ISO 815, the deviation of the original o-ring form over time, due to high temperature and pressure).

## 9. SPARE PARTS AND ACCESSORIES



### ATTENTION

**Risk of injury and/or damage caused by the use of unsuitable parts.**

Incorrect accessories and unsuitable spare parts may cause injuries and damage the holder and the surrounding area.

- Use only original accessories and original spare parts from Bürkert.
- By default, the direct welding holder is delivered with EPDM o-rings.
- The adapter with order code **563477** is useful for mounting 120 mm oxygen or conductivity probes. The adapter is screwed onto the holder and the probe into the adapter. When in place, the end of the probe is almost flush with the top of the holder.

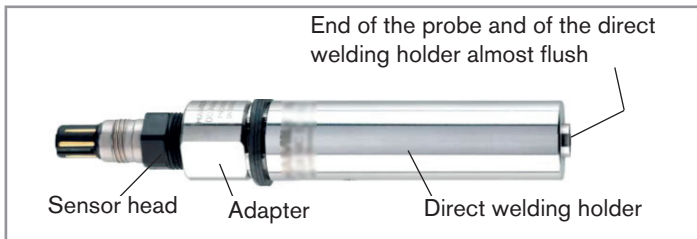


Fig. 7: Direct welding holder with adapter

## 10. PACKAGING AND TRANSPORT

### NOTE

#### Damage due to transport

Transport may damage an insufficiently protected part.

- Transport the holder in shock-resistant packaging and away from humidity and dirt.
- Do not expose the holder to temperatures that may exceed the admissible storage temperature range.

## 11. STORAGE

### NOTE

#### Poor storage can damage the holder.

- Protect the direct welding holder from cold, wet, direct heat sources (sun, heaters), soiling, and mechanical disturbance.
- Storage temperature : -30 to 140°C.

## 12. DISPOSAL OF THE PRODUCT

→ Dispose of the holder and its packaging in an environmentally-friendly way.

### NOTE

**Damage to the environment caused by products contaminated by fluids.**

- Keep to the existing provisions on the subject of waste disposal and environmental protection.



#### Note

Comply with the national and/or local regulations which concern the area of waste disposal.



<b>1. DIE BEDIENUNGSANLEITUNG .....</b>	<b>4</b>	<b>7.2. Fluidischer Anschluss .....</b>	<b>10</b>
1.1. Darstellungsmittel .....	4	<b>7.3. Montage der Sonde .....</b>	<b>11</b>
1.2. Begriffsdefinition "Halter" .....	4	7.3.1. Betriebsart .....	11
<b>2. BESTIMMUNGSGEMÄSSE VERWENDUNG.....</b>	<b>5</b>	7.3.2. Funktion zum Druckablass durch die Öffnungen .....	11
<b>3. GRUNDLEGENDE SICHERHEITSHINWEISE.....</b>	<b>5</b>	<b>8. WARTUNG UND REINIGUNG.....</b>	<b>12</b>
<b>4. ALLGEMEINE HINWEISE.....</b>	<b>6</b>	<b>8.1. Sicherheitshinweise .....</b>	<b>12</b>
4.1. Internationale Kontaktadressen.....	6	<b>8.2. Wartung .....</b>	<b>13</b>
4.2. Gewährleistung .....	6	<b>8.3. Reinigung .....</b>	<b>13</b>
4.3. Informationen im Internet.....	6	8.3.1. CIP-Reinigung .....	13
<b>5. BESCHREIBUNG.....</b>	<b>7</b>	8.3.2. Reinigung der Innenseite des zu verschweißen-	13
5.1. Vorgesehener Einsatzbereich .....	7	den Halters .....	13
5.2. Verfügbare Ausführungen.....	7	8.3.3. Wartung der Dichtungen.....	14
5.3. Allgemeine Beschreibung .....	7	<b>9. ERSATZTEILE UND ZUBEHÖR.....</b>	<b>15</b>
<b>6. TECHNISCHE DATEN .....</b>	<b>8</b>	<b>10. VERPACKUNG, TRANSPORT .....</b>	<b>15</b>
6.1. Betriebsbedingungen .....	8	<b>11. LAGERUNG .....</b>	<b>15</b>
6.2. Abmessungen .....	8	<b>12. ENTSORGUNG DES HALTERS.....</b>	<b>16</b>
6.3. Werkstoffe.....	9		
<b>7. INSTALLATION UND INBETRIEBNAHME .....</b>	<b>9</b>		
7.1. Sicherheitshinweise .....	9		

## 1. DIE BEDIENUNGSANLEITUNG

Die Bedienungsanleitung beschreibt den gesamten Lebenszyklus des Sondenhalters. Bewahren Sie diese Anleitung so auf, dass sie für jeden Benutzer zugänglich ist und jedem neuen Eigentümer wieder zur Verfügung steht.

### Diese Bedienungsanleitung enthält wichtige Informationen zur Sicherheit!

Das Nichtbeachten dieser Hinweise kann zu gefährlichen Situationen führen.

- Diese Bedienungsanleitung muss gelesen und verstanden werden.

### 1.1. Darstellungsmittel



#### **GEFAHR!**

##### **Warnt vor einer unmittelbaren Gefahr!**

- Bei Nichteinhaltung sind Tod oder schwere Verletzungen die Folge.



#### **WARNUNG!**

##### **Warnt vor einer möglicherweise gefährlichen Situation!**

- Bei Nichteinhaltung drohen schwere Verletzungen oder Tod.



#### **VORSICHT!**

##### **Warnt vor einer möglichen Gefährdung!**

- Nichtbeachtung kann mittelschwere oder leichte Verletzungen zur Folge haben.

#### **HINWEIS!**

##### **Warnt vor Sachschäden!**

- Bei Nichtbeachtung kann der Halter oder die Anlage beschädigt werden.



bezeichnet wichtige Zusatzinformationen, Tipps und Empfehlungen.



verweist auf Informationen in dieser Bedienungsanleitung oder in anderen Dokumentationen.

→ markiert einen Arbeitsschritt, den Sie ausführen müssen.

### 1.2. Begriffsdefinition "Halter"

Der in dieser Anleitung verwendete Begriff "Halter" steht immer für den Sondenhalter für direkte Schweißung Typ 8200.

## 2. BESTIMMUNGSGEMÄSSE VERWENDUNG

**Bei nicht bestimmungsgemäßem Einsatz der Halter Typ 8200 können Gefahren für Personen, Anlagen in der Umgebung und die Umwelt entstehen.**

- Der Schweißhalter Typ 8200 wird in eine Rohrleitung geschweißt und dient zum Einfügen einer Analysensonde.
- Für den Einsatz sind die in den Vertragsdokumenten und der Bedienungsanleitung spezifizierten zulässigen Daten, Betriebs- und Einsatzbedingungen zu beachten.
- Zum sicheren und problemlosen Einsatz des Halters müssen Transport, Lagerung und Installation ordnungsgemäß erfolgen, außerdem müssen Betrieb und Wartung sorgfältig durchgeführt werden.
- Achten Sie immer darauf, diesen Halter auf ordnungsgemäße Weise zu verwenden.

→ Beachten Sie bei der Ausfuhr des Halters gegebenenfalls bestehende Beschränkungen.

## 3. GRUNDLEGENDE SICHERHEITSHINWEISE

Diese Sicherheitshinweise berücksichtigen keine:

- Zufälligkeiten und Ereignisse, die bei Montage, Betrieb und Wartung der Halter auftreten können.
- Ortsbezogenen Sicherheitsbestimmungen, für deren Einhaltung, auch in Bezug auf das Installations- und Wartungspersonal, der Betreiber verantwortlich ist.



**Gefahr durch hohen Druck in der Anlage!**

**Gefahr durch hohe Flüssigkeitstemperaturen!**

**Gefahr aufgrund der Art der Flüssigkeit!**



**Allgemeine Gefahrensituationen.**

Zum Schutz vor Verletzungen ist zu beachten:

- Dass die Anlage nicht unbeabsichtigt betätigt werden kann
- Installations- und Instandhaltungsarbeiten dürfen nur von autorisiertem Fachpersonal mit geeignetem Werkzeug ausgeführt werden.
- Betreiben Sie den Halter nur in einwandfreiem Zustand und unter Beachtung der Bedienungsanleitung.
- Ein defektes Teil sofort austauschen.
- Bei der Einsatzplanung und dem Betrieb des Halters die allgemeinen Regeln der Technik einhalten.



#### Allgemeine Gefahrensituationen.

Zum Schutz vor Verletzungen ist zu beachten:

- Den Halter nicht in einem explosionsgefährdeten Bereich verwenden.
- Keine Flüssigkeit verwenden, die sich nicht mit den Werkstoffen verträgt, aus denen der Halter besteht.
- Diesen Halter nicht in einer Umgebung verwenden, die mit den Materialien, aus denen es besteht, inkompatibel ist.
- Belasten Sie den Halter nicht mechanisch (z. B. durch Ablage von Gegenständen oder als Trittstufe).
- Nehmen Sie keine äußerlichen Veränderungen an den Gehäusen vor.

#### HINWEIS!

##### Der Halter kann durch das Medium beschädigt werden.

- Kontrollieren Sie systematisch die chemische Verträglichkeit der Werkstoffe, aus denen der Halter besteht, und der Flüssigkeiten, die mit diesem in Berührung kommen können (zum Beispiel: Alkohole, starke oder konzentrierte Säuren, Aldehyde, Basen, Ester, aliphatische Verbindungen, Ketone, aromatische oder halogenierte Kohlenwasserstoffe, Oxidations- und chlorhaltige Mittel).
- Aussetzen des Halters salzhaltigen Lösungen oder konzentrierten Säuren kann den Halter korrodieren.

## 4. ALLGEMEINE HINWEISE

### 4.1. Internationale Kontaktadressen

Die internationale Kontaktadressen finden Sie auf den letzten Seiten dieser Bedienungsanleitung.

Außerdem im Internet unter: [www.burkert.com](http://www.burkert.com)

### 4.2. Gewährleistung

Voraussetzung für die Gewährleistung ist der bestimmungsgemäße Gebrauch des unter Beachtung der im vorliegenden Handbuch spezifizierten Einsatzbedingungen.

### 4.3. Informationen im Internet

Bedienungsanleitungen und Datenblätter zum Typ 8200 finden Sie im Internet unter: [www.buerkert.de](http://www.buerkert.de)

## 5. BESCHREIBUNG

### 5.1. Vorgesehener Einsatzbereich

Der Schweißhalter Typ 8200 wird in eine Rohrleitung geschweißt und dient zum Einfügen einer Analysensonde. Er ist besonders in biotechnologischen oder pharmazeutischen Anwendungen geeignet, die einen hohen Anspruch an Sauberkeit verlangen.

### 5.2. Verfügbare Ausführungen

Der Schweißhalter ist in einer Ausführung mit der folgenden Bestellnummer verfügbar: **561728**.

Ein Zertifikat 3.1 ist dem Halter mitgeliefert.

### 5.3. Allgemeine Beschreibung

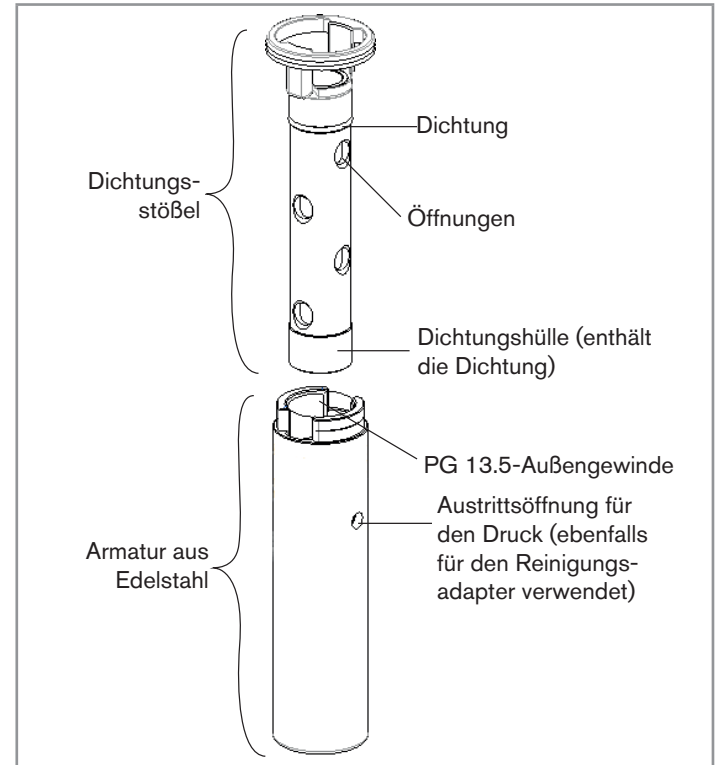


Bild 1: Beschreibung des Halters

## 6. TECHNISCHE DATEN

### 6.1. Betriebsbedingungen

Flüssigkeitstemperatur	-30 bis 140°C max. Der Temperaturbereich hängt von der eingesetzten Sonde ab. Siehe die entsprechende Bedienungsanleitung. Wenn die Temperaturbereiche des Halters und der eingesteckten Sonde unterschiedlich sind, den Bereich, der am meisten einschränkt, verwenden.
Druckklasse	16 bar max. Der Druckbereich hängt von der eingesetzten Sonde ab. Siehe die entsprechende Bedienungsanleitung. Wenn die Druckbereiche des Halters und der eingesteckten Sonde unterschiedlich sind, den Bereich, der am meisten einschränkt, verwenden.

### 6.2. Abmessungen

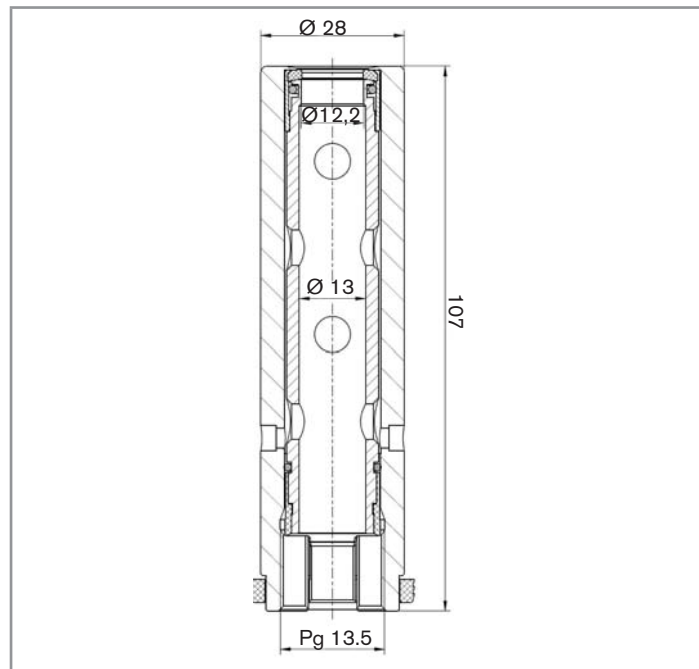


Bild 2: Abmessungen [mm] des Schweißhalters

### 6.3. Werkstoffe

Teil	Werkstoff
Armatur aus Edelstahl	Edelstahl
Dichtung	EPDM
Stößel aus Edelstahl	Edelstahl

## 7. INSTALLATION UND INBETRIEBNAHME

### 7.1. Sicherheitshinweise



#### GEFAHR!

##### Verletzungsgefahr durch hohen Druck in der Anlage!

- Vor dem Lösen der Prozessanschlüsse die Anlage druckfrei schalten und die Flüssigkeitszirkulation stoppen.

##### Verletzungsgefahr durch hohe Flüssigkeitstemperaturen!

- Den Halter nur mit Schutzhandschuhen anfassen.
- Vor dem Lösen der Prozessanschlüsse die Flüssigkeitszirkulation stoppen und die Rohrleitung leeren.

##### Verletzungsgefahr aufgrund der Art der Flüssigkeit!

- Beachten Sie die Regeln, die auf dem Gebiet der Unfallverhütung und der Sicherheit in Kraft sind und die sich auf die Verwendung gefährlicher Stoffe beziehen.



#### WARNUNG!

##### Verletzungsgefahr bei unsachgemäßer Installation!

- Flüssigkeitsanlagen dürfen nur durch autorisiertes Fachpersonal und mit geeignetem Werkzeug installiert werden!
- Die Installationshinweise der verwendeten Sonde beachten.

##### Verletzungsgefahr durch unkontrollierten Wiederanlauf!

- Nach jedem Eingriff an der Anlage einen kontrollierten Wiederanlauf gewährleisten.

**! WARNUNG!**

**Verletzungsgefahr bei unsachgemäßer Inbetriebnahme!**

Nicht sachgemäßer Betrieb kann zu Verletzungen sowie Schäden am Halter und seiner Umgebung führen.

- Vor der Inbetriebnahme muss gewährleistet sein, dass der Inhalt der Bedienungsanleitung dem Betriebspersonal bekannt ist und vollständig verstanden wurde.
- Besonders zu beachten sind die Sicherheitshinweise und die bestimmungsgemäße Verwendung.
- Die Anlage darf nur durch ausreichend geschultes Personal in Betrieb genommen werden.

**! WARNUNG!**

**Gas oder Flüssigkeit kann durch die Dichtungen oder die schrauben unbemerkt austreten.**

- Die Dichtheit des Halters regelmäßig überprüfen.

**! WARNUNG!**

**Vor der ersten Verwendung oder nach einer langen Bereitschaftsdauer:**

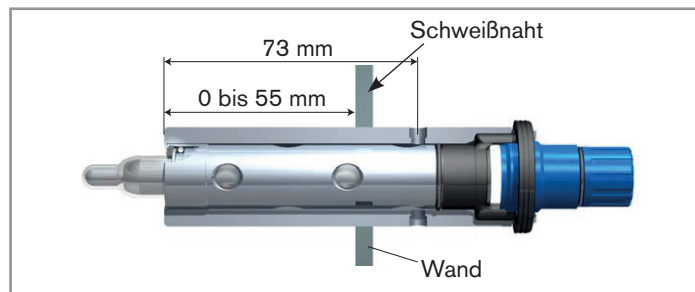
- Sicherstellen, dass die Dichtung dicht sitzt.
- Sicherstellen, dass alle Teile in guten Zustand sind.

## 7.2. Fluidischer Anschluss

**! WARNUNG!**

**Verletzungsgefahr bei Nichteinhaltung der Installationsanleitung der in den Halter eingesetzten Sonde (siehe entsprechende Bedienungsanleitung).**

- Installationsanleitung der eingesetzten Sonde beachten.



→ Stahlarbeit in einen entsprechend großen runden Ausschnitt schweißen (Durchmesser 28 mm).

- !** Der Halter kann bei einer Tiefe von 0 – 55 mm verschweißt werden.

Bild 3: Abmessungen [mm] für die Installation des Halters in die Rohrleitung



### 7.3. Montage der Sonde



Der Halter ist nur für die Installation von Sonden mit 120 mm Länge geeignet.



Kühlung des Schweißbereichs vor Montage der Sonde überprüfen.

- Sicherstellen, dass Sonde und Halter nicht beschädigt sind.
- Alle Dichtungen müssen korrekt eingesetzt und in gutem Zustand sein.
- Dichtungsstößel einsetzen.
- Sonde mit einem Anzugsdrehmoment von 2 – 3 Nm in Außengewinde PG 13.5 einschrauben.

#### 7.3.1. Betriebsart

Beim Anschrauben einer Sonde an den zu verschweißenden Halter drückt der Dichtungsstößel die Dichtung zwischen Stahlarmatur und Sonde. So wird die Sonde abgedichtet und die Risse und damit verbundenen Verschmutzungsrisiken werden fast vollständig eliminiert.

Durch Lösen der Sonde entspannt sich die Dichtung wieder und reduziert so die Reibung zwischen der Dichtung und den übrigen verbundenen Teilen. Der Prozess ist nicht mehr dicht.

Tritt dieser Fall ein, während der Prozess noch unter Druck steht, wird die Funktion zum Druckablass durch die Öffnungen aktiviert (siehe Kap. 7.3.2.)

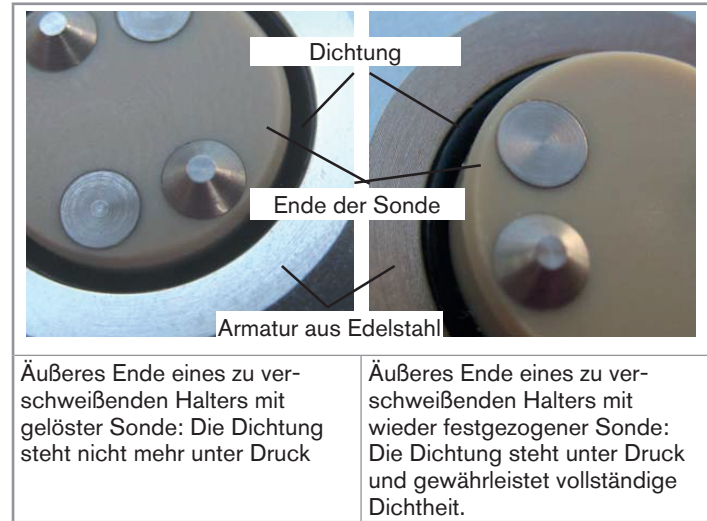


Bild 4: Äußeres Ende eines zu verschweißenden Halters mit gelöster oder wieder festgezogener Sonde

#### 7.3.2. Funktion zum Druckablass durch die Öffnungen

Der zu verschweißende Halter verfügt über einen Sicherheitsmechanismus zum Schutz des Wartungspersonals vor Gefahren.

Wird die Sonde abgeschraubt, während der Prozess noch unter Druck steht, so kann die Dichtung zwischen der Sonde und der Stahlarmatur keine Dichtheit mehr gewährleisten. Das im Prozess

zirkulierende Medium dringt in den Halter ein und tritt durch die Ablassöffnungen aus, ehe die Sonde vollständig gelöst ist (dadurch wird das Personal gewarnt, dass der Prozess noch unter Druck steht.

In diesem Fall die Sonde wieder anschrauben und warten, bis der Prozess nicht mehr unter Druck steht. Die Sonde kann dann sicher abgeschraubt werden.

## 8. WARTUNG UND REINIGUNG

### 8.1. Sicherheitshinweise



#### **GEFAHR!**

##### **Verletzungsgefahr durch hohen Druck in der Anlage!**

- Vor dem Lösen der Prozessanschlüsse die Anlage druckfrei schalten und die Flüssigkeitszirkulation stoppen.

##### **Verletzungsgefahr durch hohe Flüssigkeitstemperaturen!**

- Den Halter nur mit Schutzhandschuhen anfassen.
- Vor dem Lösen der Prozessanschlüsse die Flüssigkeitszirkulation stoppen und die Rohrleitung leeren.
- Leicht brennbare Materialien und Medien vom Halter fernhalten.

##### **Verletzungsgefahr aufgrund der Art der Flüssigkeit!**

- Beachten Sie die Regeln, die auf dem Gebiet der Unfallverhütung und der Sicherheit in Kraft sind und die sich auf die Verwendung gefährlicher Stoffe beziehen.



#### **WARNUNG!**

##### **Gefahr durch unsachgemäße Wartungsarbeiten!**

- Wartungsarbeiten dürfen nur durch autorisiertes Fachpersonal und mit geeignetem Werkzeug durchgeführt werden!
- Nach jedem Eingriff an der Anlage einen kontrollierten Wiederanlauf gewährleisten.

## 8.2. Wartung



### WARNUNG!

#### Nach Reparatur- oder Wartungsarbeiten.

- Sicherstellen, dass die Dichtung dicht sitzt.
- Sicherstellen, dass alle Teile in gutem Zustand sind.

### HINWEIS!

Besonders auf die Wartung der Dichtungen achten. Die für den zu verschweißenden Halter verwendeten Dichtungen sind Verschleißteile, ihre Lebensdauer hängt von Betriebsbedingungen ab. Liegt die Temperatur häufig über 100 °C, so müssen die Dichtungen jedes Mal ausgetauscht werden, wenn die Sonde abgeschraubt wird. Sind die Dichtungen hohen Temperaturen ausgesetzt, verformen sie sich leicht. Erfolgt der Austausch der Dichtungen nicht gemäß den Angaben, besteht Leckgefahr.

- Dichtungen gemäß Anweisung oder mindestens einmal jährlich prüfen und austauschen.
- Sicherstellen, dass die Sonde bis zum Anschlag in den Halter geschraubt ist. (Es wird empfohlen, dies wöchentlich zu überprüfen.)
- CIP je nach Anforderungen des Prozesses vornehmen.
- Bei Verschmutzung des Mediums den Halter durch die Öffnungen reinigen.
- Halterinnenseite und Dichtungsstößel sorgfältig reinigen, falls die Sonde schadhaft wird.

## 8.3. Reinigung

### HINWEIS!

#### Der Halter kann durch Reinigungsmittel beschädigt werden.

- Den Halter nur mit einem Tuch oder Lappen reinigen, der leicht mit Wasser oder mit einem Mittel befeuchtet ist, das sich mit den Werkstoffen des Halters verträgt.
- Keine abrasive Mittel, die festpartikel enthalten, verwenden.

### 8.3.1. CIP-Reinigung

Bei der Reinigung der Anlage können die Teile von Halter und Sonde, die normalerweise medienberührt sind (nun in Kontakt mit der Reinigungsflüssigkeit), mit dem Rest der Anlage vor Ort gereinigt werden (CIP).

### 8.3.2. Reinigung der Innenseite des zu verschweißenden Halters

Ist der Raum zwischen Sonde und Stahlarmatur verschmutzt, können Reinigungsadapter (nicht von Bürkert geliefert) in die (nicht verschraubten) Öffnungen der Stahlarmatur eingesetzt werden und ermöglichen so die Einspritzung einer geeigneten Reinigungsflüssigkeit.

Eine weitere Reinigungsmöglichkeit für den Halter ist die Dampfsterilisierung.

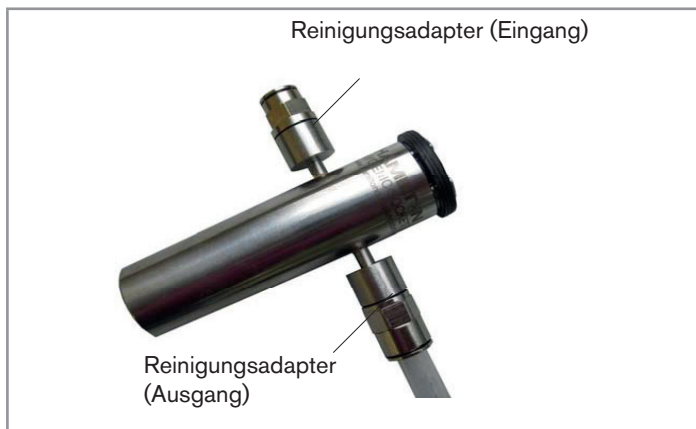


Bild 5: Halterreinigung mit Reinigungsadaptern

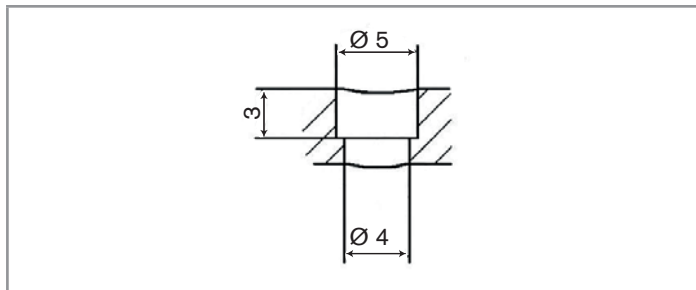
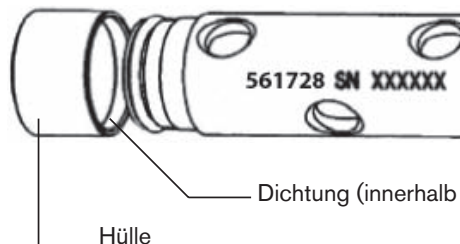


Bild 6: Abmessungen [mm] einer Öffnung für Reinigungsadapter

### 8.3.3. Wartung der Dichtungen



Die Dichtungen regelmäßig prüfen. Bei Installation einer neuen Dichtung darauf achten, diese nicht zu beschädigen. Die Dichtheit wird nicht mehr gewährleistet, wenn die Dichtung beschädigt ist.



Austausch der vorderen Dichtung:

- Fest am Stutzen ziehen, um ihn vom Dichtungsstößel zu lösen.
- Dichtung austauschen.



In Hochtemperaturzyklen (100 – 140 °C) Dichtung jedesmal austauschen, wenn die Sonde abgeschraubt wird. Die Kompressionseigenschaften von EPDM sind zu berücksichtigen (DIN ISO 815: Hohe Temperaturen und starke Drücke verformen die Dichtung mit der Zeit.).

## 9. ERSATZTEILE UND ZUBEHÖR



### VORSICHT!

#### Verletzungsgefahr, Sachschäden durch ungeeignete Teile!

Falsches Zubehör und ungeeignete Ersatzteile können Verletzungen und Schäden am Gerät und dessen Umgebung verursachen.

- Verwenden Sie nur Originalzubehör sowie Originalersatzteile der Fa. Bürkert.
- Der zu verschweißende Halter wird standardmäßig mit EPDM-Dichtungen geliefert.
- Der Adapter (Bestellnr. **563477**) wird für die Installation von Sauerstoff- oder Leitfähigkeitssonden von 120 mm verwendet. Der Adapter wird an den Halter geschraubt, die Sonde wird in den Adapter geschraubt. Wenn der Adapter eingesetzt ist, ist das hintere Ende der Sonde fast bündig mit der Oberseite des Halters.

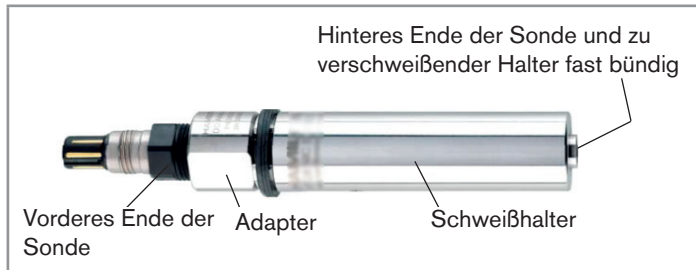


Bild 7: Zu verschweißender Halter mit Adapter

## 10. VERPACKUNG, TRANSPORT

### HINWEIS!

#### Transportschäden!

Ein unzureichend geschützter Halter kann durch den Transport beschädigt werden.

- Transportieren Sie den Halter vor Nässe und Schmutz geschützt in einer stoßfesten Verpackung.
- Der Halter keinen Temperaturen außerhalb des zulässigen Temperaturbereichs für die Lagerung aussetzen.

## 11. LAGERUNG

### HINWEIS!

#### Falsche Lagerung kann Schäden am Halter verursachen!

- Lagern Sie den Halter trocken und staubfrei!
- Lagertemperatur des Halters: -30 bis 140°C.

## 12. ENTSORGUNG DES HALTERS

→ Entsorgen Sie den Halter und die Verpackung umweltgerecht.

### **HINWEIS!**

**Umweltschäden durch Teile, die durch Flüssigkeiten kontaminiert wurden!**

- Geltende Entsorgungsvorschriften und Umweltbestimmungen einhalten!



### **Hinweis!**

Beachten Sie die nationalen Abfallbeseitigungsvorschriften.

<b>1. À PROPOS DE CE MANUEL</b> .....	<b>4</b>	<b>7.2. Installation sur la canalisation</b> .....	<b>10</b>
1.1. Symboles utilisés.....	4	<b>7.3. Montage de la sonde</b> .....	<b>11</b>
1.2. Définition du terme "support".....	4	7.3.1. Mode de fonctionnement.....	11
<b>2. UTILISATION CONFORME</b> .....	<b>5</b>	7.3.2. Fonction d'évacuation de la pression par les orifices.....	12
<b>3. CONSIGNES DE SÉCURITÉ DE BASE</b> .....	<b>5</b>	<b>8. MAINTENANCE ET NETTOYAGE</b> .....	<b>12</b>
<b>4. INFORMATIONS GÉNÉRALES</b> .....	<b>6</b>	8.1. Consignes de sécurité.....	12
4.1. Contacts internationaux.....	6	8.2. Maintenance.....	13
4.2. Conditions de garantie.....	6	8.3. Nettoyage.....	13
4.3. Informations sur internet.....	6	8.3.1. Nettoyage en place (NEP).....	13
<b>5. DESCRIPTION</b> .....	<b>7</b>	8.3.2. Nettoyage de l'intérieur du support à souder.....	13
5.1. Secteur d'application.....	7	8.3.3. Entretien des joints d'étanchéité.....	14
5.2. Versions disponibles.....	7	<b>9. PIÈCES DE RECHANGE ET ACCESSOIRES</b> .....	<b>15</b>
5.3. Description générale.....	7	<b>10. EMBALLAGE ET TRANSPORT</b> .....	<b>15</b>
<b>6. CARACTÉRISTIQUES TECHNIQUES</b> .....	<b>8</b>	<b>11. STOCKAGE</b> .....	<b>15</b>
6.1. Conditions d'utilisation.....	8	<b>12. ÉLIMINATION DE L'APPAREIL</b> .....	<b>16</b>
6.2. Dimensions.....	8		
6.3. Matériaux.....	9		
<b>7. INSTALLATION ET MISE EN SERVICE</b> .....	<b>9</b>		
7.1. Consignes de sécurité.....	9		

## 1. À PROPOS DE CE MANUEL

Ce manuel décrit le cycle de vie complet du support. Conservez-le de sorte qu'il soit accessible à tout utilisateur et à disposition de tout nouveau propriétaire.

**Ce manuel contient des informations importantes relatives à la sécurité.**

Le non-respect de ces consignes peut entraîner des situations dangereuses.

- Ce manuel doit être lu et compris.

### 1.1. Symboles utilisés



#### **DANGER**

**Met en garde contre un danger imminent.**

- Son non-respect peut entraîner la mort ou de graves blessures.



#### **AVERTISSEMENT**

**Met en garde contre une situation éventuellement dangereuse.**

- Son non-respect peut entraîner de graves blessures, voire la mort.



#### **ATTENTION**

**Met en garde contre un risque éventuel.**

- Son non-respect peut entraîner des blessures légères ou de gravité moyenne.

#### **REMARQUE**

**Met en garde contre des dommages matériels.**

- Son non-respect peut entraîner des dommages sur le support ou l'installation.



Désigne des informations supplémentaires, des conseils ou des recommandations importants.



Renvoie à des informations contenues dans ce manuel ou dans d'autres documents.

→ indique une opération à effectuer.

### 1.2. Définition du terme "support"

Dans ce manuel d'utilisation, le terme "support" désigne toujours le support à souder type 8200.



## 2. UTILISATION CONFORME

**L'utilisation non conforme des supports 8200 peut présenter des dangers pour les personnes, les installations proches et l'environnement.**

- Le support à souder type 8200 se soude sur une canalisation pour y insérer une sonde d'analyse.
- Utiliser ce support conformément aux caractéristiques et conditions de mise en service et d'utilisation indiquées dans les documents contractuels, dans ce manuel d'utilisation et dans le manuel utilisateur de l'appareil qui y est inséré.
- L'utilisation en toute sécurité et sans problème du support repose sur un transport, un stockage et une installation corrects ainsi que sur une utilisation et une maintenance effectuées avec soin.
- Veiller à toujours utiliser ce support de façon conforme.

→ Respecter les restrictions éventuelles lorsque le support est exporté.

## 3. CONSIGNES DE SÉCURITÉ DE BASE

Ces consignes de sécurité ne tiennent pas compte :

- des imprévus pouvant survenir lors de l'installation, de l'utilisation et de l'entretien du support.
- des prescriptions de sécurité locales que l'exploitant est tenu de faire respecter par le personnel chargé de l'installation et de l'entretien.



**Danger dû à la pression élevée dans l'installation.**

**Danger dû à des températures élevées du fluide.**

**Danger dû à la nature du fluide.**



**Situations dangereuses diverses**

Pour éviter toute blessure, veiller à :

- empêcher toute mise sous tension involontaire de l'installation.
- ce que les travaux d'installation et de maintenance soient effectués par du personnel qualifié et habilité, disposant des outils appropriés.
- n'utiliser le support qu'en parfait état et en tenant compte des indications du manuel d'utilisation.
- remplacer immédiatement les pièces défectueuses.
- respecter les règles générales de la technique lors de l'implantation et de l'utilisation du support.
- ne pas utiliser, assembler ou stocker ce support en atmosphère explosible.



### Situations dangereuses diverses

Pour éviter toute blessure, veiller à :

- Ne pas utiliser de fluide incompatible avec les matériaux composant le support.
- Ne pas utiliser ce support dans un environnement incompatible avec les matériaux qui le composent.
- Ne pas soumettre le support à des charges mécaniques (par ex. en y déposant des objets ou en l'utilisant comme marchepied).
- N'apporter aucune modification au support.

### REMARQUE

#### Le support peut être endommagé par le fluide en contact.

- Vérifier systématiquement la compatibilité chimique des matériaux composant le support et les produits susceptibles d'entrer en contact avec celui-ci (par exemple : alcools, acides forts ou concentrés, aldéhydes, bases, esters, composés aliphatiques, cétones, aromatiques ou hydrocarbures halogénés, oxydants et agents chlorés).
- Exposer le support à des solutions salées et des acides concentrés peut corroder le support.

## 4. INFORMATIONS GÉNÉRALES

### 4.1. Contacts internationaux

Les adresses des filiales internationales figurent sur les dernières pages de ce manuel.

Elles sont aussi disponibles sur internet sous : [www.burkert.com](http://www.burkert.com)

### 4.2. Conditions de garantie

La condition pour bénéficier de la garantie légale est l'utilisation conforme du 8200 dans le respect des conditions d'utilisation spécifiées dans le présent manuel.

### 4.3. Informations sur internet

Retrouvez sur internet les manuels d'utilisation et fiches techniques relatifs au type 8200 sous : [www.burkert.fr](http://www.burkert.fr)

## 5. DESCRIPTION

### 5.1. Secteur d'application

Le support à souder type 8200 se soude sur une canalisation pour y insérer une sonde d'analyse. Il est spécialement conçu pour les secteurs qui exigent une grande propreté, tels que la biotechnologie et la pharmacie.

### 5.2. Versions disponibles

Le support à souder existe dans une seule version dont la référence de commande est : **561728**.

Le certificat 3.1 est livré avec le support.

### 5.3. Description générale

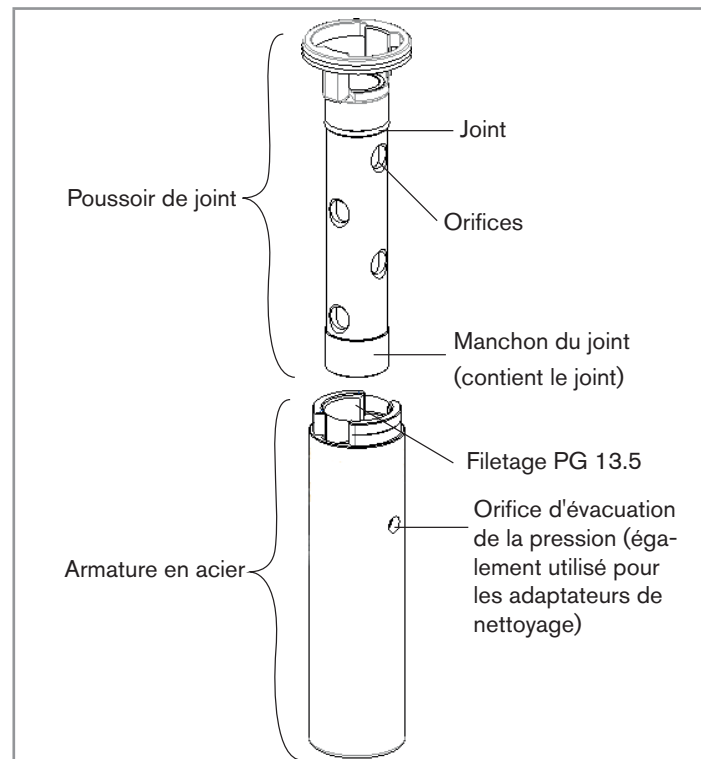


Fig. 1 : Description du support

## 6. CARACTÉRISTIQUES TECHNIQUES

### 6.1. Conditions d'utilisation

Température du fluide	-30 à 140°C max. Les limites de température dépendent de la sonde insérée. Se référer au manuel d'utilisation correspondant. Si les plages de température du support et de la sonde insérée diffèrent, utiliser la plage la plus restrictive.
Classe de pression	16 bar max. Les limites de pression dépendent de la sonde insérée. Se référer au manuel d'utilisation correspondant. Si les plages de pression du support et de la sonde insérée diffèrent, utiliser la plage la plus restrictive.

### 6.2. Dimensions

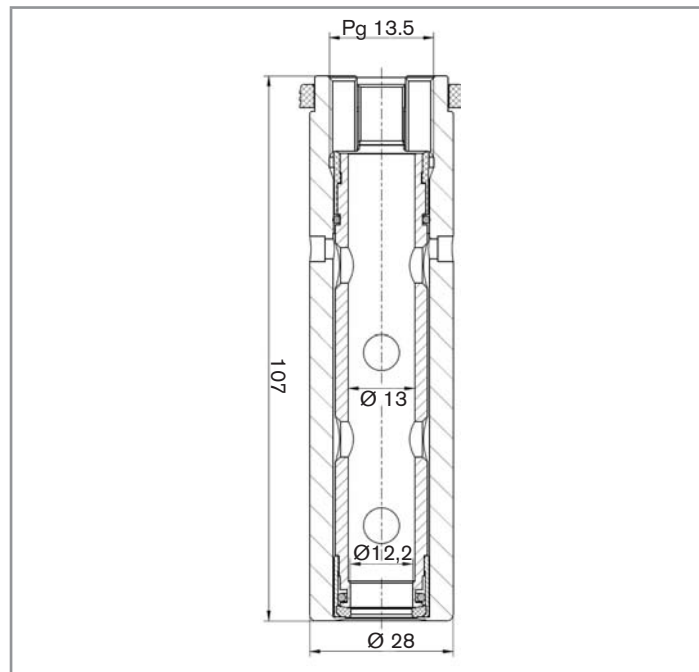


Fig. 2 : Dimensions [mm] du support à souder

### 6.3. Matériaux

Élément	Matériau
Armature en acier	Acier inoxydable
Joint d'étanchéité	EPDM
Poussoir en acier	Acier inoxydable

## 7. INSTALLATION ET MISE EN SERVICE

### 7.1. Consignes de sécurité



#### DANGER

##### Risque de blessure dû à la pression élevée dans l'installation.

- Stopper la circulation du fluide, couper la pression et purger la canalisation avant de desserrer les raccordements au process.

##### Risque de blessure dû à des températures élevées du fluide.

- Utiliser des gants de protection pour saisir le support.
- Stopper la circulation du fluide et purger la canalisation avant de desserrer les raccordements au process.

##### Risque de blessure dû à la nature du fluide.

- Respecter la réglementation en vigueur en matière de prévention des accidents et de sécurité relative à l'utilisation de produits dangereux.



#### AVERTISSEMENT

##### Risque de blessure dû à une installation non conforme.

- L'installation fluidique ne peut être effectuée que par du personnel habilité et qualifié, disposant des outils appropriés.
- Respecter les consignes d'installation de la sonde insérée dans le support.

##### Risque de blessure dû à un redémarrage incontrôlé.

- Garantir un redémarrage contrôlé de l'installation, après toute intervention sur celle-ci.

**AVERTISSEMENT**

**Risque de blessure dû à une mise en service non conforme.**

La mise en service non conforme peut entraîner des blessures et endommager le support et son environnement.

- S'assurer avant la mise en service que le personnel qui en est chargé a lu et parfaitement compris le contenu de ce manuel.
- Respecter en particulier les consignes de sécurité et l'utilisation conforme.
- L'installation ne doit être mise en service que par du personnel suffisamment formé.

**AVERTISSEMENT**

**Des gaz ou des liquides peuvent s'échapper au travers des joints ou des vis sans être détectés.**

- Inspecter régulièrement le support pour vérifier son étanchéité.

**AVERTISSEMENT**

**Avant la première utilisation du support, ou après une longue période d'inutilisation :**

- S'assurer que le joint est étanche.
- S'assurer que tous les éléments sont en état d'utilisation.

## 7.2. Installation sur la canalisation

**AVERTISSEMENT**

**Risque de blessure si les recommandations d'installation de l'appareil de mesure insérée dans le support ne sont pas appliquées (se référer au manuel d'utilisation correspondant).**

- Suivre les recommandations d'installation de la sonde insérée.

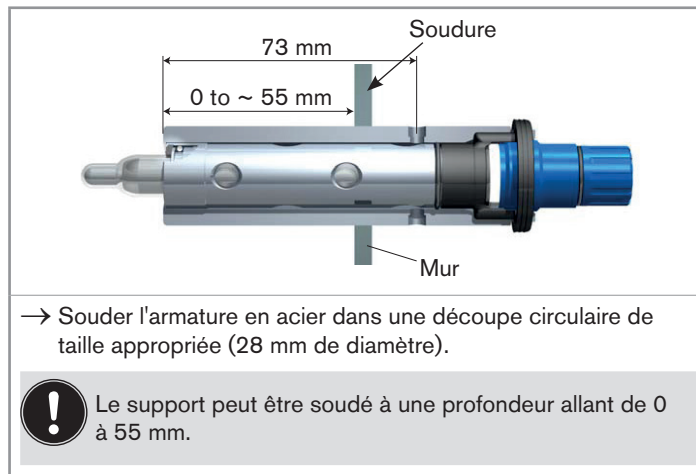


Fig. 3 : Dimensions [mm] pour l'installation du support sur la canalisation

## 7.3. Montage de la sonde

! Le support est uniquement destiné à l'installation de sondes de 120 mm de longueur.

! Vérifier que la zone de soudure est refroidie avant de monter la sonde.

- S'assurer que la sonde et le support ne sont pas endommagés.
- Vérifier que tous les joints d'étanchéité sont en place et qu'ils sont en bon état.
- Insérer le poussoir à joint.
- Visser la sonde dans le filetage PG 13.5 en utilisant un couple de serrage de 2 à 3 Nm.

### 7.3.1. Mode de fonctionnement

En vissant une sonde sur le support à souder, le poussoir de joint presse le joint d'étanchéité entre l'armature en acier et la sonde. Cela étanchéifie la sonde en éliminant presque complètement les crevasses et les risques de contamination associés.

En desserrant la sonde, le joint d'étanchéité se détend à nouveau, diminuant le frottement entre le joint et les autres parties connectées. Le process n'est plus étanche.

Si cela se produit quand le process est encore sous pression, la fonction d'évacuation de la pression par les orifices s'active (voir chap. [7.3.2.](#))

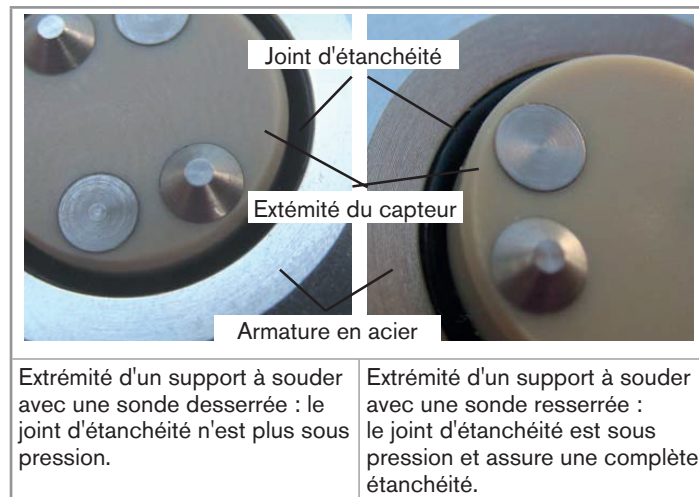


Fig. 4 : Extrémité d'un support à souder avec une sonde desserrée ou resserrée

### 7.3.2. Fonction d'évacuation de la pression par les orifices

Le support à souder est équipé d'un mécanisme de sûreté qui prévient le personnel de service du danger.

Si la sonde est dévissée alors que le process est sous pression, le joint d'étanchéité entre la sonde et l'armature en acier n'assure plus l'étanchéité. Le liquide circulant dans le process s'infiltré dans le support et ressort par les orifices d'évacuation avant que la sonde ne soit complètement desserrée (avertissant ainsi le personnel que le process est encore sous pression).

Si c'est le cas, revisser la sonde et attendre que le process ne soit plus sous pression. La sonde peut alors être dévissée en toute sécurité.

## 8. MAINTENANCE ET NETTOYAGE

### 8.1. Consignes de sécurité



#### DANGER

##### Risque de blessure dû à la pression élevée dans l'installation.

- Stopper la circulation du fluide, couper la pression et purger la canalisation avant de desserrer les raccordements au process.

##### Risque de blessure dû à des températures élevées du fluide.

- Utiliser des gants de protection pour saisir le support.
- Stopper la circulation du fluide et purger la canalisation avant de desserrer les raccordements au process.
- Tenir éloigné du support toute matière et tout fluide facilement inflammable.

##### Risque de blessure dû à la nature du fluide.

- Respecter la réglementation en vigueur en matière de prévention des accidents et de sécurité relative à l'utilisation de fluides agressifs.



#### AVERTISSEMENT

##### Danger dû à une maintenance non conforme.

- Ces travaux doivent être effectués uniquement par du personnel qualifié et habilité, disposant des outils appropriés.
- Garantir un redémarrage contrôlé de l'installation, après toute intervention.



## 8.2. Maintenance



### AVERTISSEMENT

Après une réparation ou une opération de maintenance.

- S'assurer que le joint est étanche.
- S'assurer que tous les éléments sont en état d'utilisation.

### REMARQUE

Une attention particulière doit être portée à l'entretien des joints d'étanchéité. Les joints utilisés pour le support à souder sont des pièces consommables et, leur durée de vie dépend des conditions de fonctionnement. Si la température excède souvent les 100°C, les joints doivent être remplacés à chaque fois que la sonde est dévissée. Quand les joints sont soumis à des températures élevées, ils se déforment facilement. Si le remplacement des joints n'est pas effectué comme indiqué, il y a des risques de fuite.

- Vérifier et remplacer les joints comme recommandé ou au moins une fois par an.
- S'assurer que la sonde est vissée dans le support jusqu'en butée. (Il est recommandé de le vérifier chaque semaine.)
- Effectuer le NEP en fonction des exigences du process.
- Dans le cas d'une contamination du fluide, nettoyer le support par les orifices.
- Nettoyer soigneusement l'intérieur du support et le poussoir à joint si la sonde se casse.

## 8.3. Nettoyage

### REMARQUE

**Le support peut être endommagé par le produit de nettoyage.**

- Nettoyer le support avec un chiffon légèrement imbibé d'eau ou d'un produit compatible avec les matériaux qui le composent.
- Ne jamais utiliser de produits abrasifs contenant des particules solides.

### 8.3.1. Nettoyage en place (NEP)

Lors du nettoyage de l'installation, les parties du support et de la sonde qui sont normalement en contact avec le fluide (désormais en contact avec le liquide de nettoyage) peuvent être nettoyées en place, avec le reste de l'installation.

### 8.3.2. Nettoyage de l'intérieur du support à souder

Si l'espace entre la sonde et l'armature en acier est contaminé, des adaptateurs de nettoyage (non fournis par Bürkert), pouvant s'insérer dans les orifices (non taraudés) de l'armature en acier, permettent l'injection d'un liquide de nettoyage approprié.

La stérilisation à la vapeur permet aussi de nettoyer le support.

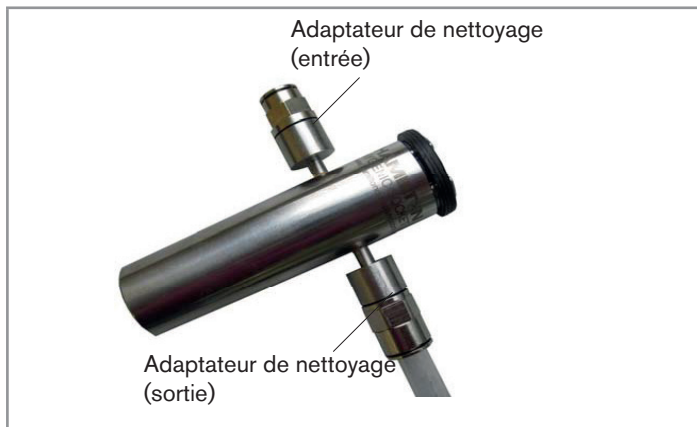


Fig. 5 : Nettoyage du support avec des adaptateurs de nettoyage

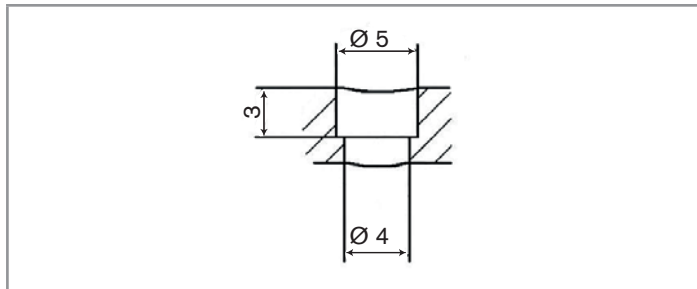
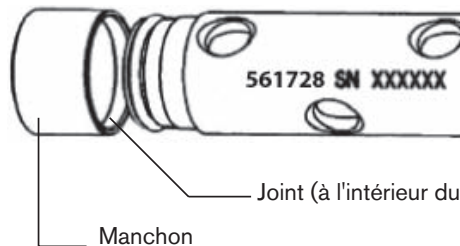


Fig. 6 : Dimensions [mm] d'un orifice pour adaptateur de nettoyage

### 8.3.3. Entretien des joints d'étanchéité



Vérifier régulièrement les joints. Quand un nouveau joint est installé, faire attention à ne pas l'endommager. L'étanchéité n'est pas garantie si le joint est abîmé.



Remplacement du joint avant :

- Tirer fort sur le manchon pour le détacher du poussoir à joint.
- Remplacer le joint



Dans des cycles de haute température (100 à 140°C), changer le joint à chaque fois que la sonde est dévissée. Les propriétés de compression de l'EPDM doivent être prises en compte (DIN ISO 815 : les hautes températures et fortes pressions déforment le joint avec le temps.).

## 9. PIÈCES DE RECHANGE ET ACCESSOIRES

### ! ATTENTION

#### Risque de blessure et de dommage matériel dus à l'utilisation de pièces inadaptées.

Un mauvais accessoire ou une pièce de rechange inadaptée peuvent entraîner des blessures et endommager le support et son environnement.

- N'utiliser que les accessoires et pièces de rechange de la société Bürkert.
- Le support à souder est livré par défaut avec des joints en EPDM.
- L'adaptateur de référence de commande **563477** est utilisé pour l'installation de sondes d'oxygène ou de conductivité de 120 mm. L'adaptateur est vissé sur le support et la sonde est vissée dans l'adaptateur. Quand l'adaptateur est en place, l'extrémité arrière de la sonde est quasiment alignée avec le haut du support.

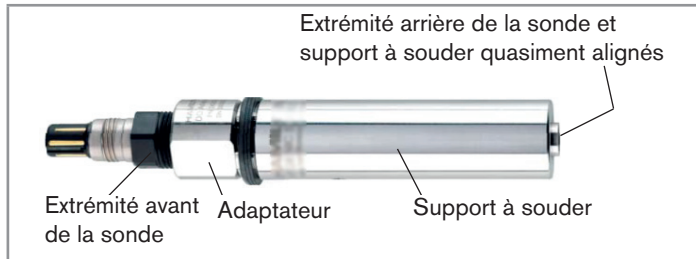


Fig. 7 : Support à souder avec adaptateur

## 10. EMBALLAGE ET TRANSPORT

### REMARQUE

#### Dommages dus au transport

Le transport peut endommager un support insuffisamment protégé.

- Transporter le support dans un emballage résistant aux chocs, à l'abri de l'humidité et des impuretés.
- Ne pas exposer le support à des températures pouvant entraîner le dépassement de la plage de température de stockage.

## 11. STOCKAGE

### REMARQUE

#### Un mauvais stockage peut endommager le support.

- Stocker l'appareil dans un endroit sec et à l'abri de la poussière.
- Température de stockage du support : -30 à 140°C.

## 12. ÉLIMINATION DE L'APPAREIL

→ Éliminer l'appareil et l'emballage dans le respect de l'environnement.

### REMARQUE

**Dommages à l'environnement causés par des pièces contaminées par des fluides.**

- Respecter les prescriptions en vigueur en matière d'élimination des déchets et de protection de l'environnement.



#### Remarque

Respecter les prescriptions nationales en matière d'élimination des déchets .







[www.burkert.com](http://www.burkert.com)