

## Type 2006

3/2-way globe valve

3/2-Wege-Geradsitzventil

Vanne à siège droit 3/2 voies



## Operating Instructions

Bedienungsanleitung

Manuel d'utilisation

We reserve the right to make technical changes without notice.  
Technische Änderungen vorbehalten.  
Sous réserve de modifications techniques.

© Bürkert Werke GmbH & Co. KG, 2016 - 2019

Operating Instructions 1906/02\_EU-ML\_00810459 / Original DE

<b>1</b>	<b>OPERATING INSTRUCTIONS</b> .....	<b>4</b>	<b>8</b>	<b>ASSEMBLY</b> .....	<b>13</b>
1.1	Symbols.....	4	8.1	Safety instructions.....	13
1.2	Definition of the term "Device".....	4	8.2	Before installation.....	14
<b>2</b>	<b>AUTHORIZED USE</b> .....	<b>5</b>	8.3	Installing the body .....	14
<b>3</b>	<b>BASIC SAFETY INSTRUCTIONS</b> .....	<b>5</b>	8.4	Rotating the drive.....	14
<b>4</b>	<b>GENERAL INFORMATION</b> .....	<b>7</b>	8.5	Pneumatic connection.....	15
4.1	Contact addresses .....	7	<b>9</b>	<b>START-UP</b> .....	<b>16</b>
4.2	Warranty .....	7	9.1	Control pressure.....	16
4.3	Information on the Internet .....	7	9.2	Incoming flow above upper seat (direction of flow 3 → 2).....	16
<b>5</b>	<b>PRODUCT DESCRIPTION</b> .....	<b>7</b>	9.3	Flow direction below the lower seat (direction of flow 1 → 2).....	17
5.1	General description .....	7	<b>10</b>	<b>DISASSEMBLY</b> .....	<b>17</b>
5.2	Properties .....	7	<b>11</b>	<b>MAINTENANCE, TROUBLESHOOTING</b> .....	<b>17</b>
<b>6</b>	<b>STRUCTURE AND FUNCTION</b> .....	<b>8</b>	11.1	Safety instructions.....	17
6.1	Structure.....	8	11.2	Maintenance work .....	18
6.2	Function.....	9	11.3	Malfunctions.....	19
<b>7</b>	<b>TECHNICAL DATA</b> .....	<b>10</b>	<b>12</b>	<b>SPARE PARTS</b> .....	<b>20</b>
7.1	Conformity.....	10	<b>13</b>	<b>PACKAGING, TRANSPORT, STORAGE</b> .....	<b>21</b>
7.2	Standards .....	10			
7.3	Type label .....	10			
7.4	Operating conditions.....	11			
7.5	General technical data.....	13			

# 1 OPERATING INSTRUCTIONS

The operating instructions describe the entire life cycle of the device. Keep these instructions in a location which is easily accessible to every user and make these instructions available to every new owner of the device.

The operating instructions contain important safety information.

Failure to observe these instructions may result in hazardous situations.

- ▶ The operating instructions must be read and understood.

## 1.1 Symbols



### DANGER

Warns of an immediate danger.

- ▶ Failure to observe the warning may result in a fatal or serious injury.



### WARNING

Warns of a potentially dangerous situation.

- ▶ Failure to observe the warning may result in serious injuries or death.



### CAUTION

Warns of a possible danger.

- ▶ Failure to observe this warning may result in a moderately severe or minor injury.

### NOTICE

Warns of damage to property.

- ▶ Failure to observe the warning may result in damage to the device or the equipment.



Designates additional significant information, tips and recommendations.



Refers to information in these operating instructions or in other documentation.

- ▶ designates instructions for risk prevention.

→ designates a procedure which you must carry out.

## 1.2 Definition of the term "Device"

In these instructions, the term "device" always refers to the globe valve type 2006.

## 2 AUTHORIZED USE

**Non-authorized use of the globe valve type 2006 may be a hazard to people, nearby equipment and the environment.**

- ▶ The device is designed for the controlled flow of liquid and gaseous media.
- ▶ In areas at risk of explosion, only use devices approved for use in those areas. These devices are labeled with a separate Ex type label. When utilized in a potentially explosive atmosphere, always pay attention to the details on the separate Ex type label and the Ex additional instructions contained in the scope of delivery.
- ▶ Devices without a separate Ex type label may not be used in a potentially explosive area.
- ▶ The admissible data, the operating conditions and conditions of use specified in the contract documents, operating instructions and on the type label are to be observed during use. The designated application cases are specified in the chapter entitled [“5 Product Description”](#).
- ▶ Protect device from damaging environmental influences (e.g. radiation, humidity, steam, etc.). If anything is unclear, consult the relevant sales office.
- ▶ The device may be used only in conjunction with third-party devices and components recommended and authorized by Bürkert.
- ▶ Correct transportation, correct storage and installation and careful use and maintenance are essential for reliable and faultless operation.
- ▶ Use the device only as intended.

## 3 BASIC SAFETY INSTRUCTIONS

These safety instructions do not make allowance for any

- contingencies and events which may arise during the installation, operation and maintenance of the devices.
- local safety regulations; the operator is responsible for observing these regulations, also with reference to the installation personnel (e.g. by means of a warning label on the device regarding the use of hot media).



**Risk of injury from high pressure and discharge of medium.**

- ▶ Before working on the device or system, switch off the pressure. Vent or drain lines.

**Risk of injury from electric shock (when electrical component installed).**

- ▶ Before reaching into the device or the equipment, switch off the power supply and secure to prevent reactivation!
- ▶ Observe applicable accident prevention and safety regulations for electrical equipment!

**Risk of injury from moving parts in the device!**

- ▶ Do not reach into openings.

**Risk of burns and risk of fire due to hot device surface if duty cycle is long or medium temperature is high**

- ▶ Keep the device away from highly flammable substances and media and do not touch with bare hands.

#### **Danger due to loud noises.**

- ▶ Depending on the operating conditions, the device may generate loud noises. More detailed information on the likelihood of loud noises is available from the relevant sales office.
- ▶ Wear hearing protection when in the vicinity of the device.

#### **Leaking medium when the packing gland is worn.**

- ▶ Regularly check relief bore for leaking medium.
- ▶ If medium is leaking out of the relief bore, change the packing gland.
- ▶ If the media is hazardous, protect the area surrounding the discharge point against dangers.

#### **General hazardous situations.**

To prevent injury, ensure that:

- ▶ That the system cannot be activated unintentionally.
- ▶ Installation and repair work may be carried out by authorized technicians only and with the appropriate tools.
- ▶ After an interruption, ensure that the process is restarted in a controlled manner. Observe sequence.
  1. Apply supply voltage.
  2. Charge the device with medium.
- ▶ The device may be operated only when in perfect condition and in consideration of the operating instructions.
- ▶ Observe the safety regulations specific to the plant for application planning and operation of the device.
- ▶ The plant operator is responsible for the safe operation and handling of the plant.
- ▶ The general rules of technology apply to application planning and operation of the device.

To prevent damage to property of the device, ensure:

- ▶ Supply the media connections only with those media which are specified as flow media in the chapter entitled "[7 Technical Data](#)".
- ▶ Do not put any loads on the valve (e.g. by placing objects on it or standing on it).
- ▶ Do not make any external modifications to the valves. Do not paint the body parts or screws.
- ▶ Do not transport, install or remove heavy devices without the aid of a second person and using suitable auxiliary equipment.
- ▶ The exhaust air may be contaminated with lubricants in the actuator.



The globe valve type 2006 was developed with due consideration given to accepted safety rules and is state-of-the-art. However, dangers can still arise.

## 4 GENERAL INFORMATION

### 4.1 Contact addresses

#### Germany

Bürkert Fluid Control Systems  
Sales Center  
Christian-Bürkert-Str. 13-17  
D-74653 Ingelfingen  
Tel. + 49 (0) 7940 - 10 91 111  
Fax + 49 (0) 7940 - 10 91 448  
E-mail: [info@burkert.com](mailto:info@burkert.com)

#### International

Contact addresses are found on the final pages of the printed operating manual.

You can also find information on the Internet under:

[www.burkert.com](http://www.burkert.com)

### 4.2 Warranty

The warranty is only valid if the device is used as authorized in accordance with the specified application conditions.

### 4.3 Information on the Internet

The operating instructions and data sheets for Type 2006 can be found on the Internet at: [www.burkert.com](http://www.burkert.com)

## 5 PRODUCT DESCRIPTION

### 5.1 General description

The externally controlled globe valve type 2006 is suitable for liquid and gaseous media.

It uses neutral gases or air (control media) to control the flow-rate of water, alcohol, oil, fuel, hydraulic fluid, saline solution, lye, organic solvent and steam (flow media).

### 5.2 Properties

- High tightness by self-adjusting packing glands (spindle sealing element).
- High seat tightness.
- High flow values by the streamlined valve body made of stainless steel.
- Actuator can be rotated steplessly through 360°.

#### 5.2.1 Options

- Activation unit  
Different versions of the activation units are available depending on the requirement.
- Stroke limitation  
Limit of the maximum open position/flow rate by means of adjusting screw.
- Feedback indicator  
The device features mechanical limit switches or inductive proximity switches.

## 5.2.2 Device versions

The globe valve is available for the actuator sizes  $\varnothing$  50 mm to  $\varnothing$  125 mm.

## 5.2.3 Restrictions



### WARNING

Risk of injury from water hammer.

A water hammer could crack the lines and device.

- ▶ Use valves with flow inlet above seat for gaseous media and steam only.

# 6 STRUCTURE AND FUNCTION

## 6.1 Structure

The globe valve consists of a pneumatically actuated piston actuator and a 3-way valve body. The actuator is manufactured from PA or PPS. The tried and tested, self-adjusting packing gland ensures high tightness. The flow-enhancing valve body made of stainless steel enables high flow values.

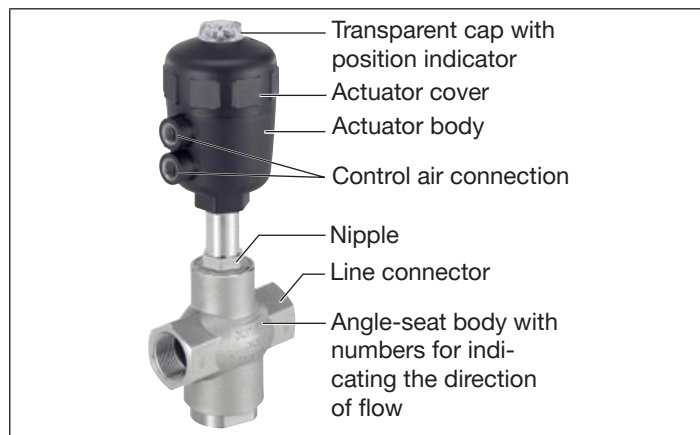


Fig. 1: Structure and description



## 6.2 Function

Depending on the version, the lower seat of the valve is closed with or against the medium flow.

Spring force (CFA) or pneumatic pilot pressure (CFB and CFI) generates the closing force on the closing body. The force is transferred via a spindle which is connected to the actuator piston.

### **WARNING**

For control function I – Danger if pilot pressure fails.

For control function I control and resetting occur pneumatically. If the pressure fails, no defined position is reached.

- ▶ To ensure a controlled restart, first pressurize the device with pilot pressure, then switch on the medium.

### 6.2.2 Control function and flow modes of operation

Different operating principles can be obtained with the same control function by swapping the pressure and working connections.

### Control function A (CFA)

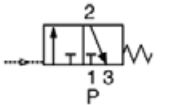
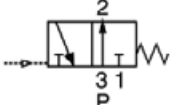
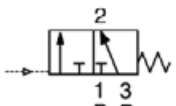
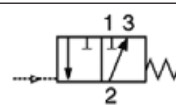
In rest position line connector 1 closed by spring force.

	Flow modes of operation	Connection		
		1	2	3
	C	P	A	R
	D	R	A	P
	E	P1	A	P2
	F	A	P	B

A, B: Working connections  
 P, P1, P2: Pressure connections  
 R: Pressure relief

Tab. 1: Control function A (CFA)

**Flow modes of operation**

C		In rest position pressure connection 1 closed, working connection 2 relieved.
D		In rest position pressure connection 3 connected to working connection 2, relief 1 closed.
E		Mixing valve In rest position pressure connection 3 connected to working connection 2, pressure connection 1 closed.
F		Distribution valve In rest position pressure connection 2 connected to working connection 3, working connection 1 closed.

Tab. 2: Flow modes of operation

## 7 TECHNICAL DATA

### 7.1 Conformity

The device conforms to the EU Directives as per the EU Declaration of Conformity (if applicable).

### 7.2 Standards

The applied standards, which are used to demonstrate conformity with the EU Directives, are listed in the EU type examination certificate and/or the EU Declaration of Conformity (if applicable).

### 7.3 Type label

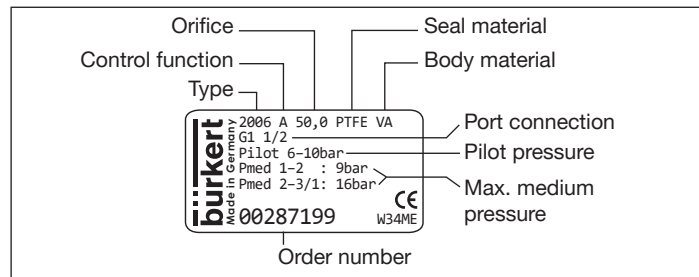


Fig. 2: Example of the type label

## 7.4 Operating conditions

### 7.4.1 Temperature ranges

Actuator size [mm]	Actuator material	Temperature ranges	
		Medium (for PTFE seal)	Environment <sup>1)</sup>
50, 63	PA	-10... see "Fig. 3"	-10... see "Fig. 3"
80...125	PA	-10...+180 °C	-10...+60 °C
50...80	PPS	-10...+180 °C	+5...+140 °C
125	PPS	-10...+180 °C	+5...+90 °C <sup>2)</sup>

Tab. 3: Temperature ranges



<sup>1)</sup> If a pilot valve is used, the max. ambient temperature is +55 °C

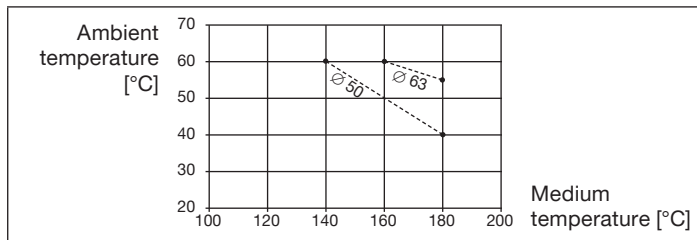


Fig. 3: Temperature range of the maximum medium and ambient temperature for PA actuators

<sup>2)</sup> briefly up to max. 140 °C

### 7.4.2 Pressure ranges

Maximum pilot pressure:

Actuator material	Actuator size [mm]	Max. pilot pressure [bar]
PA	50...80	10
	125	7
PPS	50...80	10
	125	7

Tab. 4: Maximum pilot pressure

Maximum operating pressure, control function A:

Orifice [mm]	Actuator size [mm]	Max. medium pressure up to 180 °C [bar] direction of flow	
		1 → 2	2 → 3, 2 → 1
15, 20	50	11	16
	63	16	16
25	63	10	16
32, 40	80	9	16
	125	14	16
50	125	10	16

Tab. 5: Max. operating pressure



For control function F the maximum permitted operating pressure is 16 bar.

### 7.4.3 Minimum pilot pressures

Minimum pilot pressure  $p_{min}$ , control function A:

Orifice [mm]	Actuator size [mm]	Min. pilot pressure $p_{min}$ [bar]
15, 20	50	4.4
15, 20	63	4.7
25	63	4.9
32, 40	80	6.0
32, 40	125	3.4
50	125	4.3

Tab. 6: Minimum pilot pressure

Minimum pilot pressure  $p_{min}$  when direction of flow 3 → 2:

The required minimum pilot pressure  $p_{min}$  depends on the medium pressure.

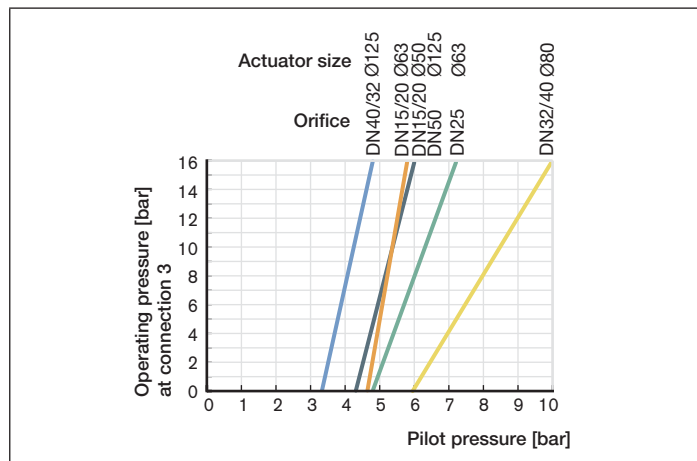
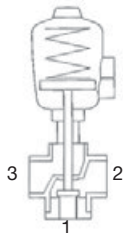


Fig. 4: Pilot pressure diagram (CFA, flow direction 3→2)

## 7.5 General technical data

### Control functions (CF)

Control function A	Closed by spring force in rest position
Control function B	Opened by spring force in rest position
Control function I	Actuating function via reciprocal pressurization

### Materials

Body	Stainless steel 316L
Actuator	PA, PPS
Seal	PTFE (other materials on request)
Packing gland (with silicone grease)	PTFE V rings with spring compensation

### Media

Control media	Neutral gases, air
Flow media	Water, alcohols, oils, fuels, hydraulic liquid, saline solutions, lyes, organic solvents, steam

### Connections

G 1/2 to G 2  
Other connections on request.

### Installation position

Any position, preferably with actuator face up

## 8 ASSEMBLY

### 8.1 Safety instructions



#### DANGER

**Risk of injury from high pressure in the equipment.**

- ▶ Before dismounting pneumatic lines or valves, turn off the pressure and vent the lines.



#### WARNING

**Risk of injury from improper assembly.**

- ▶ Installation may be carried out by authorized technicians only and with the appropriate tools.

**Risk of injury from unintentional activation of the system and an uncontrolled restart.**

- ▶ Secure system from unintentional activation.
- ▶ Following assembly, ensure a controlled restart.

**For control function I: Danger if pilot pressure fails.**

For control function I control and resetting occur pneumatically. If the pressure fails, no defined position is reached.

- ▶ To ensure a controlled restart, first pressurize the device with pilot pressure, then switch on the medium.



### CAUTION!

#### Risk of injury due heavy devices!

- ▶ During transport or during assembly, a heavy device may fall and cause injury.
- ▶ Do not transport, install or remove heavy devices without the aid of a second person and using suitable auxiliary equipment.
- ▶ Use appropriate tools.

## 8.2 Before installation

- Before connecting the valve, ensure the pipelines are flush.
- Observe direction of flow (see type label).
- Clean pipelines (sealing material, swarf, etc).

Any installation position is possible, preferably with actuator face up.

#### Devices with approval in accordance with DIN EN 161

In accordance with DIN EN 161 "Automatic shut-off valves for gas burners and gas installations" a dirt trap must be connected upstream of the valve and prevent the insertion of a 1 mm plug gauge.

## 8.3 Installing the body

- Connect body to pipeline.

## 8.4 Rotating the drive

The position of the connections can be aligned steplessly by rotating the drive through 360°.

### NOTICE

#### Damage to the seal on the swivel plate.

- ▶ When turning the actuator, ensure that the valve is in the open position.

- Clamp the valve body into a holding device (applies only to valves not yet installed).
- For control function A pressurize the lower control air connection with compressed air (4 bar): Valve opens.
- Using a suitable open-end wrench, counter the wrench flat on the pipe.
- Place a suitable open-end wrench on the hexagon of the actuator (see "Fig. 5").



### WARNING

#### Risk of injury from discharge of medium and pressure.

If the direction of rotation is wrong, the body interface may become detached.

- ▶ Turn the actuator in the specified sense of direction only (see "Fig. 5").
- By turning the open-end wrench clockwise (viewed from above), move the actuator into the required position.

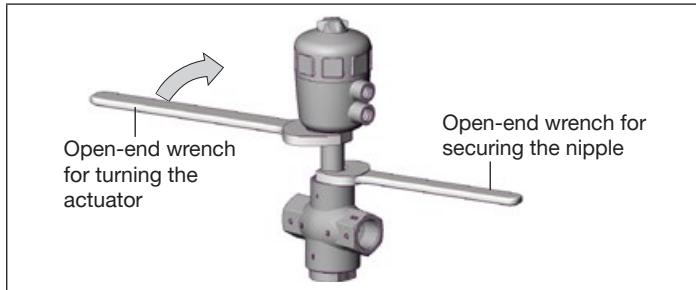


Fig. 5: Turning with open-end wrench

## 8.5 Pneumatic connection



### DANGER

Risk of injury from high pressure in the equipment.

- ▶ Before dismantling pneumatic lines or valves, turn off the pressure and vent the lines.



### WARNING

Risk of injury from unsuitable connection hoses.

Hoses which cannot withstand the pressure and temperature range may result in hazardous situations.

- ▶ Use only hoses which are authorized for the indicated pressure and temperature range.
- ▶ Observe the data sheet specifications from the hose manufacturers.

**For control function I: Danger if pilot pressure fails.**

For control function I control and resetting occur pneumatically. If the pressure fails, no defined position is reached.

- ▶ To ensure a controlled restart, first pressurize the device with pilot pressure, then switch on the medium.

### 8.5.1 Connection of the control medium



If the position of the control air connections is unfavorable for installation of the hoses, these can be steplessly aligned by turning the actuator through 360°.

The procedure is described in chapter [“8.4 Rotating the drive”](#).

**Control function A:**

On the lower connection of the actuator.

**Control function B:**

On the upper connection of the actuator.


**Control function I:**

On the upper and lower connections of the actuator.

Pressure on the lower connection opens the valve, pressure on the upper connection closes the valve.

Control function	Control air connection	
	Top	Bottom
A		●
B	●	
I	●	●
	closes lower valve seat	opens

Control air Connections



Top —

Bottom —

Fig. 6: Control air connection

**!** If used in an aggressive environment, we recommend conveying all free pneumatic connections into a neutral atmosphere with the aid of a pneumatic hose.

Control air hose: Control air hoses of size 1/4" can be used.

## 9 START-UP

**!** Observe the type label specifications and information on pressure and temperature values in section "7 Technical Data".

### 9.1 Control pressure

**!** **WARNING**

For control function I: Danger if pilot pressure fails. If the pressure fails, no defined position is reached.

► For a controlled restart, initially pressurize the equipment with pilot pressure and then connect the medium.

→ Set the pilot pressure according to the type label specifications, see section "7.3" and flow direction (section "9.2" and "9.3").

### 9.2 Incoming flow above upper seat (direction of flow 3 → 2)

Control function A (CFA) closes by spring force the lower valve seat with the medium flow. The medium pressure supports the closure and seal of the valve seat. The valve is opened by the pilot pressure.

**!** **WARNING**

Risk of injury due to water hammer.

A closing shock can cause lines and the equipment to burst.

► Only use valves with the flow direction above the seat for gaseous media.





To ensure complete opening of the upper valve seat, the minimum pilot pressure must be used.

### 9.3 Flow direction below the lower seat (direction of flow 1 → 2)

Control function A (CFA) closes by spring force against the medium flow. Control function B (CFB) closes with the pilot pressure against the medium flow. The medium pressure supports the opening of the valve.



#### WARNING

Seat leaks caused by the minimum pilot pressure being too low (on CFB and CFI) or the medium pressure being too high.

- ▶ Observe the minimum pilot pressure and medium pressure (see „5.5.1. Pressure ranges“).

## 10 DISASSEMBLY



#### DANGER

Risk of injury from discharge of medium and pressure.

It is dangerous to remove a device which is under pressure due to the sudden release of pressure or discharge of medium.

- ▶ Before removing a device, switch off the pressure and vent the lines.

→ Loosen pneumatic connection.

→ Remove device.

## 11 MAINTENANCE, TROUBLESHOOTING

### 11.1 Safety instructions



#### DANGER

Risk of injury from high pressure in the equipment.

- ▶ Before dismantling pneumatic lines or valves, turn off the pressure and vent the lines.

Risk of injury from electric shock (only in conjunction with corresponding actuators).

- ▶ Before reaching into the device or the equipment, switch off the power supply and secure to prevent reactivation.
- ▶ Observe applicable accident prevention and safety regulations for electrical equipment.



#### WARNING

Risk of injury from improper maintenance.

- ▶ Maintenance may be carried out by authorized technicians only and with the appropriate tools.

Risk of injury from unintentional activation of the system and an uncontrolled restart.

- ▶ Secure system from unintentional activation.
- ▶ Following maintenance, ensure a controlled restart.

**For control function I: Danger if pilot pressure fails.**

For control function I control and resetting occur pneumatically. If the pressure fails, no defined position is reached.

- ▶ To ensure a controlled restart, first pressurize the device with pilot pressure, then switch on the medium.

## 11.2 Maintenance work

### Actuator:

The actuator is maintenance-free provided if it is used according to these operating instructions.

### Wearing parts of the angle seat valve / 3/2-way globe valve:

- Seals
  - Closing body
- If leaks occur, replace the particular wearing parts with an appropriate spare part (see Chapter “12 Spare Parts”).



The procedure for replacing the wearing parts is described in the replacement instructions of Type 2006. The replacement instructions can be found on the Internet at: [www.burkert.com](http://www.burkert.com)

### 11.2.1 Recommended maintenance intervals

The valve should be visually inspected once a year. Shorter maintenance intervals are recommended depending on application conditions. The visual inspection includes the pneumatic connections and the medium connections as well as the deaeration bore in the pipe.

### 11.2.2 Cleaning

Commercially available cleaning agents can be used to clean the outside.

#### NOTICE

**Avoid causing damage with cleaning agents.**

- ▶ Before cleaning, check that the cleaning agents are compatible with the body materials and seals.

### 11.3 Malfunctions

Malfunction	Remedial action
Actuator does not switch	Control air connection interchanged <sup>3)</sup> CFA: Connect lower control air connection CFB: Connect upper control air connection CFI: Lower control air connection: Open Upper control air connection: Close
	Control pressure too low → See pressure specifications on the type label
	Medium pressure too high → See pressure specifications on the type label
	Direction of flow interchanged → See direction of flow on the type label

Malfunction	Remedial action
Valve is not sealed	Dirt between seal and valve seat → Installing dirt trap
	Seat seal worn → Installing new seat seals
	Direction of flow interchanged → See direction of flow on the type label
	Medium pressure too high → See pressure specifications on the type label
	Control pressure too low → See pressure specifications on the type label
Valve is leaking on the release bore	Packing gland worn → Renew packing gland or replace actuator

Tab. 7: Malfunctions

<sup>3)</sup> see [“8.5 Pneumatic connection”](#)

## 12 SPARE PARTS



### CAUTION

Risk of injury and/or damage by the use of incorrect parts.

Incorrect accessories and unsuitable spare parts may cause injuries and damage the device and the surrounding area.

- ▶ Use original accessories and original spare parts from Bürkert only.



We recommend having the spare parts replaced by specialist personnel from Bürkert.

- The following parts are available as spare parts for the straight valve Type 2006:
- **Seal set for actuator (SET 5)**  
consisting of the sealing and wearing parts of the actuator.
- **Valve set (SET 6)**  
consisting of the complete spindle with closing body.

Order numbers see [page 21](#).

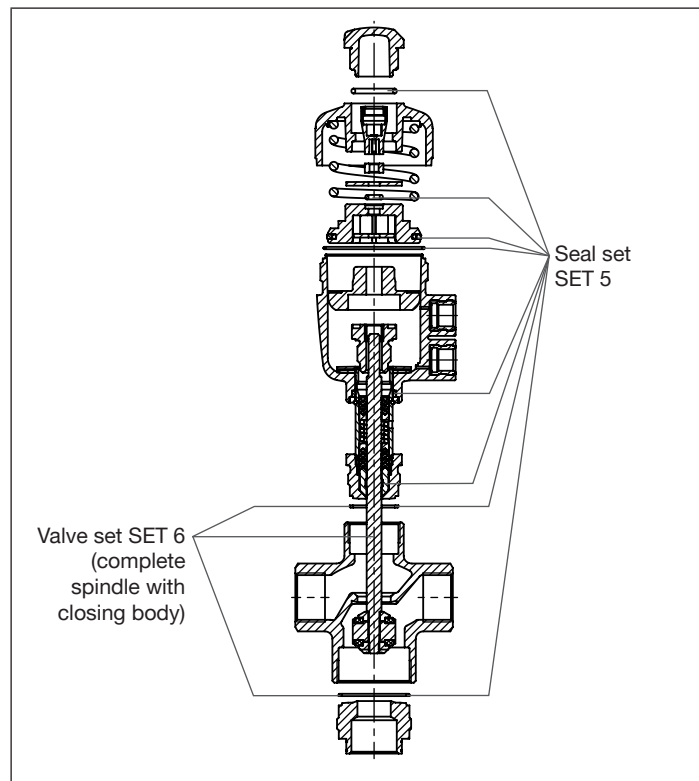


Fig. 7: Spare parts Type 2006

Order numbers seal set for actuator (SET 5)

Actuator size	Matching valve sizes	Order no. PA actuator	Order no. PPS actuator
D (ø 50 mm)	DN 15/20/25	233 588	233 582
E (ø 63 mm)	DN 25-50	233 591	233 583
F (ø 80 mm)	DN 25-65	233 593	233 584
G (ø 100 mm)	DN 32-65	233 594	233 585
H (ø 125 mm)	DN 40-65	233 596	233 586

Order numbers valve set (SET 6)  
complete spindle with closing body

DN	Actuator size	Order no. (PTFE seal)
15	D (ø 50 mm)	288 384
15	E (ø 63 mm)	288 386
20	D (ø 50 mm)	288 384
20	E (ø 63 mm)	288 386
25	E (ø 63 mm)	288 392
32	F (ø 80 mm)	288 393
32	H (ø 125 mm)	288 394
40	E (ø 63 mm)	288 395
40	F (ø 80 mm)	288 393
40	H (ø 125 mm)	288 394
50	H (ø 125 mm)	288 399

## 13 PACKAGING, TRANSPORT, STORAGE

### NOTICE

#### Transport damages.

Inadequately protected equipment may be damaged during transport.

- ▶ During transportation protect the device against wet and dirt in shock-resistant packaging.
- ▶ Avoid exceeding or dropping below the permitted storage temperature.

#### Incorrect storage may damage the device.

- ▶ Store the device in a dry and dust-free location.
- ▶ Storage temperature -20 ... +65 °C.

#### Damage to the environment caused by device components contaminated with media.

- ▶ Observe applicable regulations on disposal and the environment.
- ▶ Observe national waste disposal regulations.



[www.burkert.com](http://www.burkert.com)