



Insertion adaptor/fitting for ELEMENT analytical measurement devices

- Universal adaptor/fitting for Type 8202 and Type 8222 ELEMENT measuring devices in pure, aggressive or contaminated liquids
- Adaptation into standard piping systems or conversion of Bürkert Type S020 fittings into Type S022 fittings
- Pipe diameters from DN 06 (with reduction) up to DN 110 (plastic) or bigger (stainless steel)

Product variants described in the data sheet may differ from the product presentation and description.

Can be combined with

	Type 8222 Conductivity meter, ELEMENT design	▶
	Type 8202 pH or redox potential transmitter, ELEMENT design	▶

Type description

The adaptor/fitting or analysis measurement chamber is used to connect the compact analytical ELEMENT measuring device into piping systems or vessels.

Different variants of adaptors/fittings are available:

Adaptors:

- PVC-U adaptor to stick into equal or reduced standard metric or ASTM T-fitting
- PP adaptor to weld into equal d32 standard metric T-fitting
- Stainless steel adaptor for welding
- PVC threaded adaptor to screw on vessel or pipe
- PVC, PP, stainless steel adaptor for conversion of Type S020 Bürkert fitting into Type S022 fitting.

Fittings in PVC:

- Metric or ASTM T-fitting
 - True union connection
 - Solvent end connection
- Saddle.

DTS 1000118437 EN Version: N Status: RL (released | freigegeben | valide) printed: 09.01.2025

Table of contents

1. General technical data	3
<hr/>	
2. Approvals and conformities	4
2.1. Conformity	4
2.2. Standards	4
2.3. Pressure Equipment Directive (PED)	4
Device used on a pipe.....	4
Device used on a vessel.....	4
<hr/>	
3. Materials	4
3.1. Bürkert resistApp	4
<hr/>	
4. Dimensions	5
4.1. Insertion adaptor for connection into T-fitting or pipe.....	5
Metric solvent adaptor.....	5
ASTM solvent adaptor	6
Metric fusion adaptor	6
Metric welding	6
4.2. Insertion adaptor for connection on tank or pipe	7
4.3. Insertion fitting	7
Fitting with metric solvent ends connection.....	7
Fitting with metric or ASTM true union connection.....	8
Fitting with saddle	8
4.4. Adaptor to convert Type S020 T-fitting to Type S022.....	9
4.5. Analysis measurement chamber	10
<hr/>	
5. Performance specifications	10
5.1. Pressure temperature diagram	10
<hr/>	
6. Product installation	11
6.1. Installation notes.....	11
Analysis measurement.....	11
6.2. Mounting options.....	12
Adaptors mounting overview	12
Fittings mounting overview.....	12
<hr/>	
7. Ordering information	13
7.1. Bürkert eShop	13
7.2. Bürkert product filter.....	13
7.3. Ordering chart	13
Insertion adaptor for connection into T-fitting or pipe.....	13
Insertion adaptor for connection on tank or pipe	14
Insertion fitting for connection on pipe.....	14
Adaptor to convert Type S020 T-fitting to Type S022.....	14
Analysis measurement chamber	15
7.4. Ordering chart accessories.....	15

1. General technical data

Product properties	
Material	
Adaptor	<ul style="list-style-type: none"> • PVC • PP • Stainless steel Delivered with 2 seals, 1 FKM and EPDM
Fitting	<ul style="list-style-type: none"> • Body & adaptor in PVC & PVC or PP & PP • Seal in FKM or EPDM
Dimensions	Further information can be found in chapter “4. Dimensions” on page 5.
Compatibility	With pH or redox potential measurement device Type 8202 or conductivity meter Type 8222. See data sheet Type 8202 ▶ or Type 8222 ▶ .
Pipe diameter	DN 06 (with reduction) to DN 110 (plastic) or bigger (stainless steel)
Product accessory	
Further accessory	Further information can be found in chapter “7.4. Ordering chart accessories” on page 15.
Medium data	
Fluid temperature	Temperature limits may depend on inserted measuring device ¹⁾ . Further information can be found in chapter “5.1. Pressure temperature diagram” on page 10.
Fluid pressure	Pressure limits may depend on inserted measuring device ¹⁾ . <ul style="list-style-type: none"> • PN 10 (plastic) • PN 16 (metal) Further information can be found in chapter “5.1. Pressure temperature diagram” on page 10.
Process/Pipe connection & communication	
Process connection	
Adaptor	<ul style="list-style-type: none"> • Solvent • Fusion welding • Welding • Threaded • To connect with screws to Type S020 fitting body. Further information can be found in chapter “6.2. Mounting options” on page 12 or see data sheet Type S020 ▶.
Fitting	<ul style="list-style-type: none"> • Metric or ASTM true union • Solvent ends • Saddle
Approvals and conformities	
Directives	
CE directive	Further information on the CE directive can be found in chapter “2.2. Standards” on page 4.
Pressure equipment directive	Complying with article 4, paragraph 1 of 2014/68/EU directive Further information can be found in chapter “2.3. Pressure Equipment Directive (PED)” on page 4.
Environment and installation	
Ambient temperature	Temperature limits may depend on inserted measuring device ¹⁾ .

1.) Further information can be found in the user manual or data sheet of the inserted device.

2. Approvals and conformities

2.1. Conformity

In accordance with the Declaration of Conformity, the product is compliant with the EU Directives.

2.2. Standards

The applied standards which are used to demonstrate compliance with the EU Directives are listed in the EU-Type Examination Certificate and/or the EU Declaration of Conformity.

2.3. Pressure Equipment Directive (PED)

The device conforms to article 4, paragraph 1 of the Pressure Equipment Directive (PED) 2014/68/EU under the following conditions:

Device used on a pipe

Note:

- The data in the table is independent of the chemical compatibility of the material and the fluid.
- PS = maximum admissible pressure (in bar), DN = nominal diameter of the pipe

Type of fluid	Conditions
Fluid group 1, article 4, paragraph 1.c.i	DN ≤ 25
Fluid group 2, article 4, paragraph 1.c.i	DN ≤ 32 or PS*DN ≤ 1000
Fluid group 1, article 4, paragraph 1.c.ii	DN ≤ 25 or PS*DN ≤ 2000
Fluid group 2, article 4, paragraph 1.c.ii	DN ≤ 200 or PS ≤ 10 or PS*DN ≤ 5000

Device used on a vessel

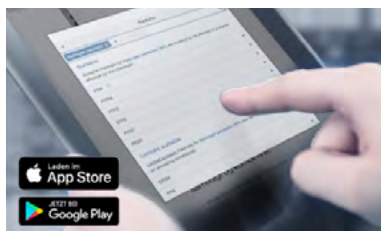
Note:

- The data in the table is independent of the chemical compatibility of the material and the fluid.
- PS = maximum admissible pressure (in bar), V = vessel volume

Type of fluid	Conditions
Fluid group 1, article 4, paragraph 1.a.i	V > 1 L and PS*V ≤ 25 bar.L or PS ≤ 200 bar
Fluid group 2, article 4, paragraph 1.a.i	V > 1 L and PS*V ≤ 50 bar.L or PS ≤ 1000 bar
Fluid group 1, article 4, paragraph 1.a.ii	V > 1 L and PS*V ≤ 200 bar.L or PS ≤ 500 bar
Fluid group 2, article 4, paragraph 1.a.ii	PS > 10 bar and PS*V ≤ 10000 bar.L or PS ≤ 1000 bar

3. Materials

3.1. Bürkert resistApp



Bürkert resistApp – Chemical resistance chart

You want to ensure the reliability and durability of the materials in your individual application case? Verify your combination of media and materials on our website or in our resistApp.

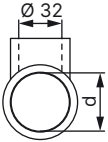
[Start chemical resistance check](#)

4. Dimensions

4.1. Insertion adaptor for connection into T-fitting or pipe

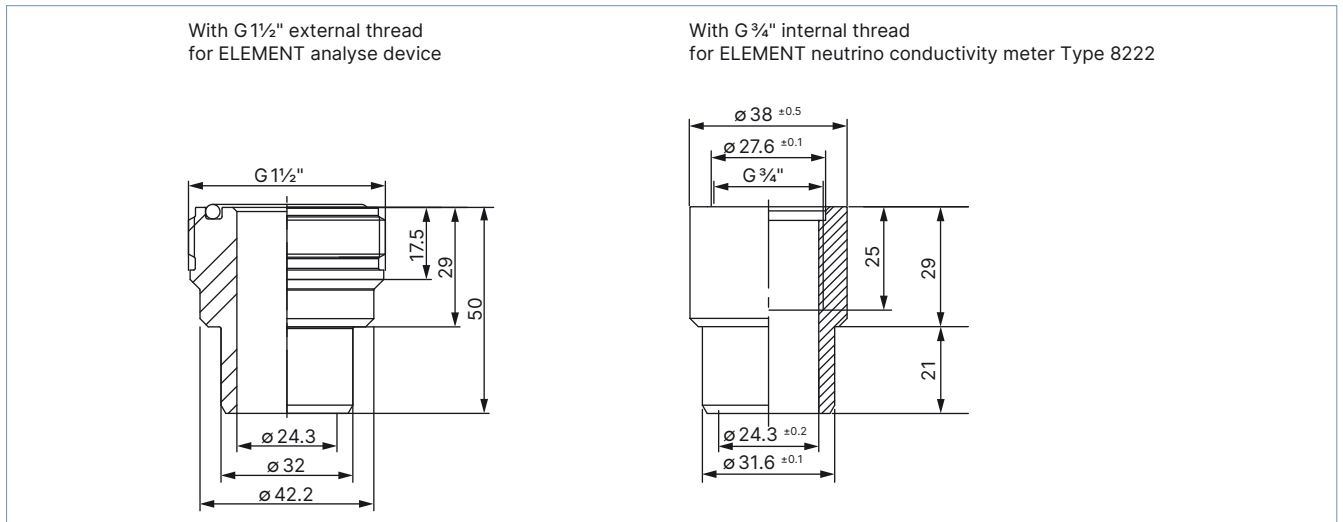
Note:

- Dimensions in mm, unless otherwise stated
- T-fitting to use for mounting the an adaptors Type S022, shown in the following drawing.

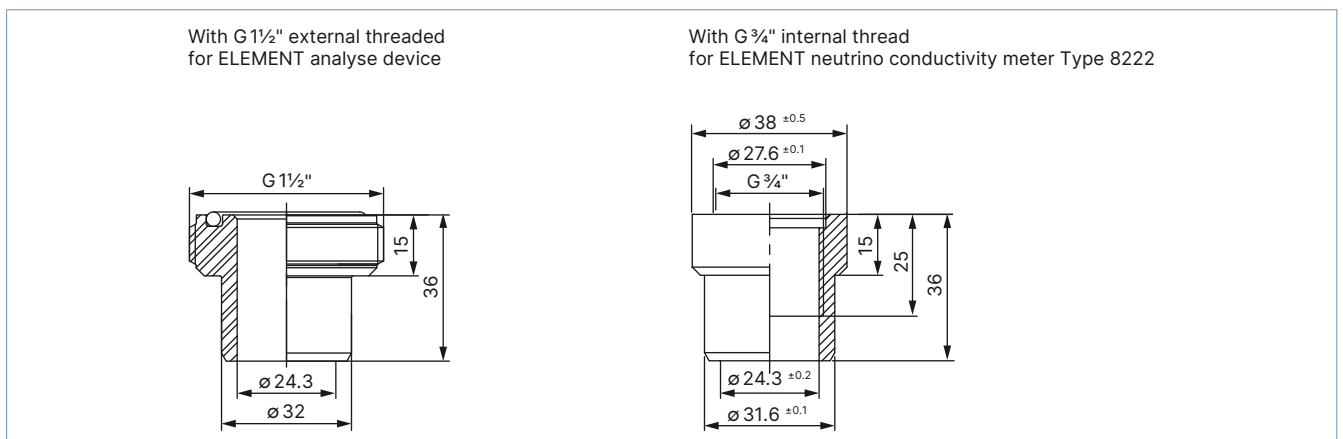


Metric solvent adaptor

In PVC-U / FKM, EPDM, to stick on T-fitting d32 × 32 or d40 × 32 with solvent socket (variable d: see note at the beginning of the chapter)



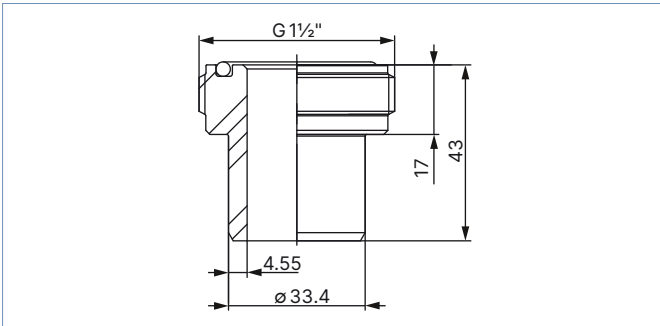
In PVC-U / FKM, EPDM, to stick on T-fitting d50 × 32 to d110 × 32 with solvent socket (variable d: see note at the beginning of the chapter)



DTS 1000118437 EN Version: N Status: RL (released | freigegeben | validé) printed: 09.01.2025

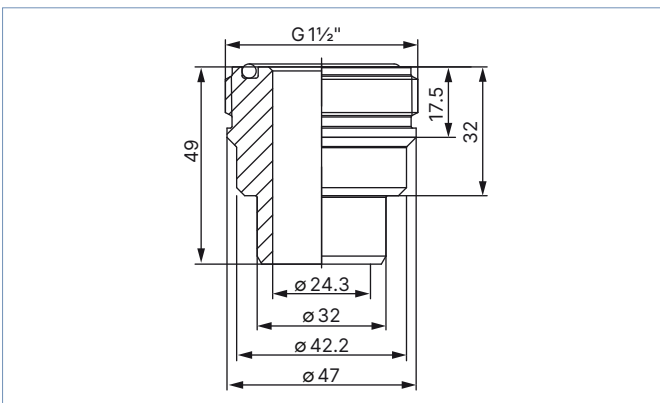
ASTM solvent adaptor

In PVC-U / FKM, EPDM, to stick on T-fitting 1"x1" to 3"x1" with solvent socket



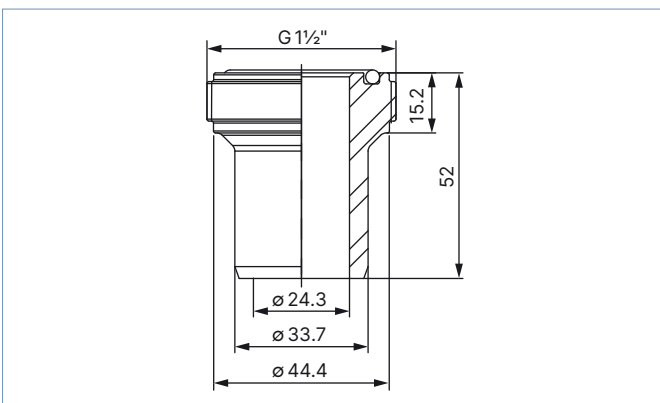
Metric fusion adaptor

In PP / FKM, EPDM, to weld on T-fitting $d32 \times 32$ with fusion socket (variable d: see note at the beginning of this chapter)



Metric welding

In stainless steel / FKM, EPDM, to weld directly on pipe

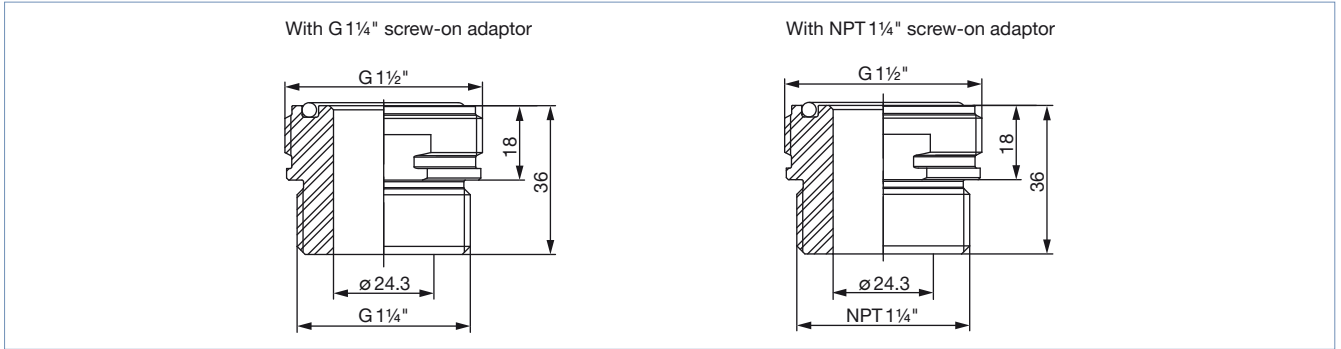


4.2. Insertion adaptor for connection on tank or pipe

Note:

Dimensions in mm, unless otherwise stated

In PVC-U / FKM, EPDM, to screw on tank or pipe



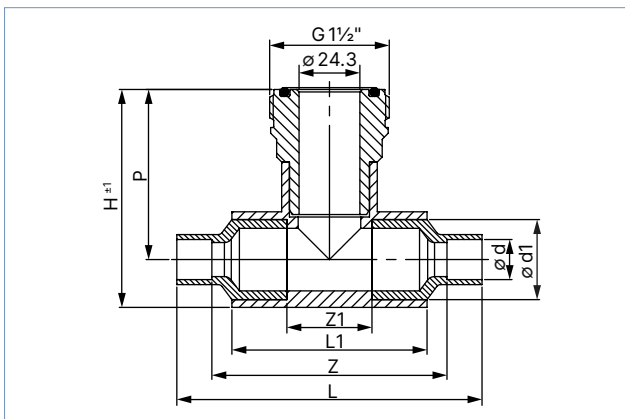
4.3. Insertion fitting

Note:

Dimensions in mm, unless otherwise stated

Fitting with metric solvent ends connection

In PVC

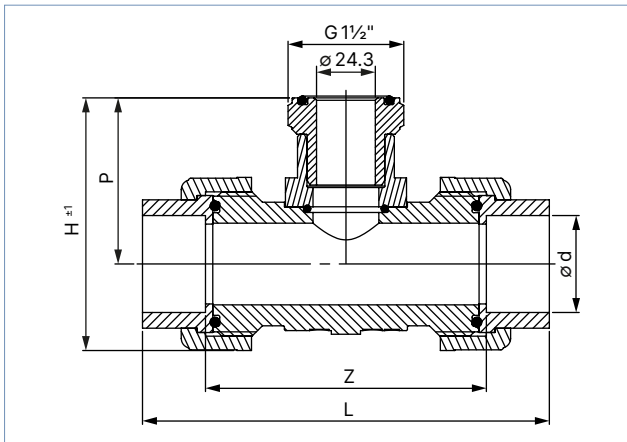


DN	P	H	L	L1	Z	Z1	Ø d	Ø d1
10	68	87	122	78	94	34	16	32
15	68	87	126	78	94	34	20	32
20	68	87	132	78	94	34	25	32
25	68	87	-	78	-	34	-	32
32	70	99	-	98	-	46	-	40
40	65	96	-	118	-	56	-	50
50	71	110	-	146	-	70	-	63
65	78	124	-	168	-	80	-	75
80	92	147	-	194	-	92	-	90
100	104	171	-	234	-	112	-	110

DTS 1000118437 EN Version: N Status: RL (released | freigegeben | validé) printed: 09.01.2025

Fitting with metric or ASTM true union connection

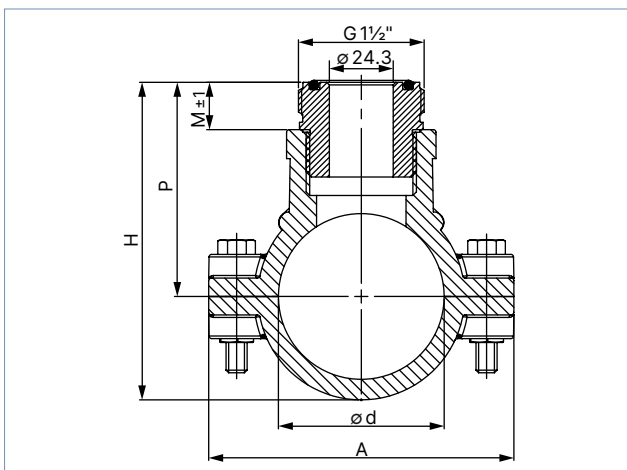
Spigot and nut in PVC



DN	P	H	Standard	L	Z	Ø d
15	69	104	Metric	148	116	20
			ASTM	162	116	1/2"
20	69	104	Metric	154	116	25
			ASTM	168	116	3/4"
25	69	104	Metric	160	116	32
			ASTM	174	116	1"
32	69	104	Metric	168	116	40
			ASTM	170	116	1 1/4"
40	72	113	Metric	188	126	50
			ASTM	190	126	1 1/2"
50	79	129	Metric	212	136	63
			ASTM	214	136	2"

Fitting with saddle

- PP body material & PP adaptor
- EPDM seal material



DN	M	P	H	A	Ø d
50	18	82	121	116	63
65	18	89	134	129	75
80	18	96	148	144	90
100	18	107	170	166	110
110	18	113	184	181	125

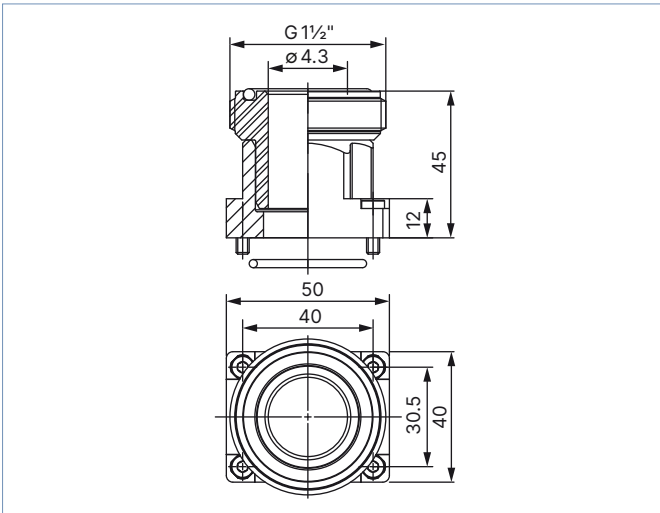
DTS 1000118437 EN Version: N Status: RL (released | freigegeben | valide) printed: 09.01.2025

4.4. Adaptor to convert Type S020 T-fitting to Type S022

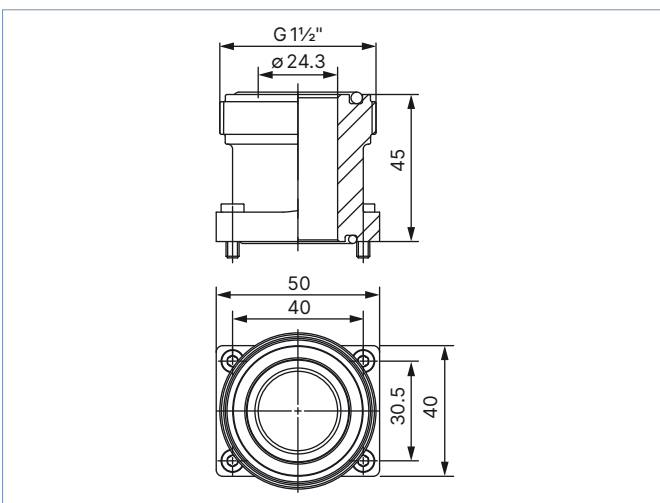
Note:

- Dimensions in mm, unless otherwise stated
- Adaptor for Bürkert fitting body DN 32 or bigger

In PVC-U or PP / FKM, EPDM



In stainless steel / FKM, EPDM

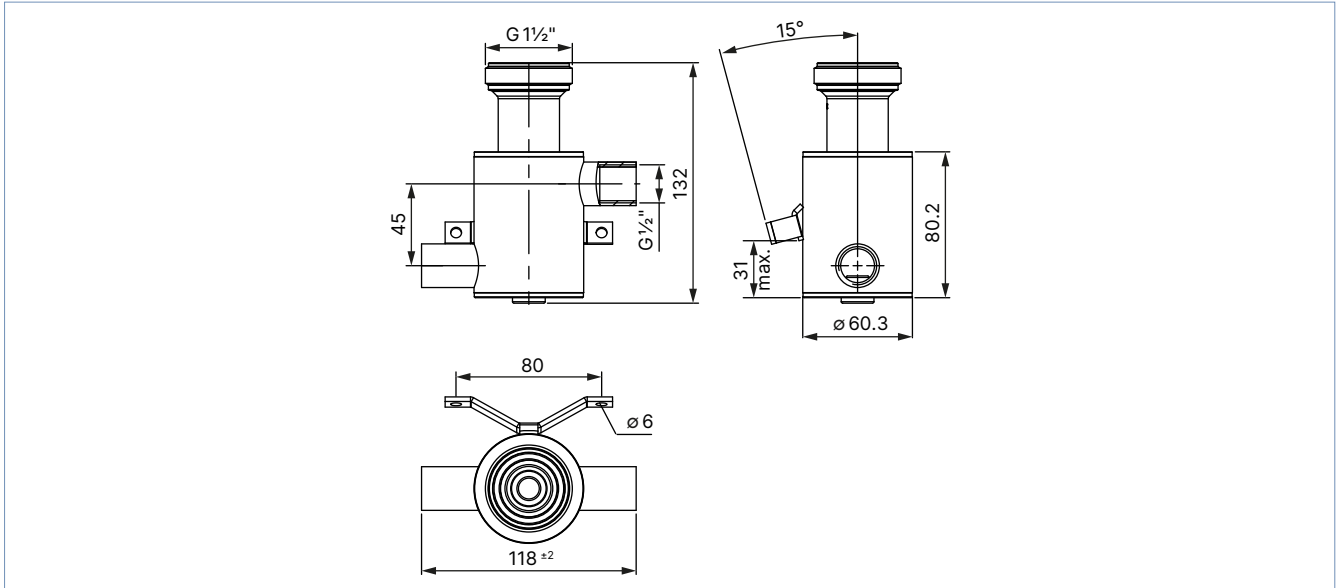


4.5. Analysis measurement chamber

Note:

Dimensions in mm, unless otherwise stated

In stainless steel 316L – 1.4404

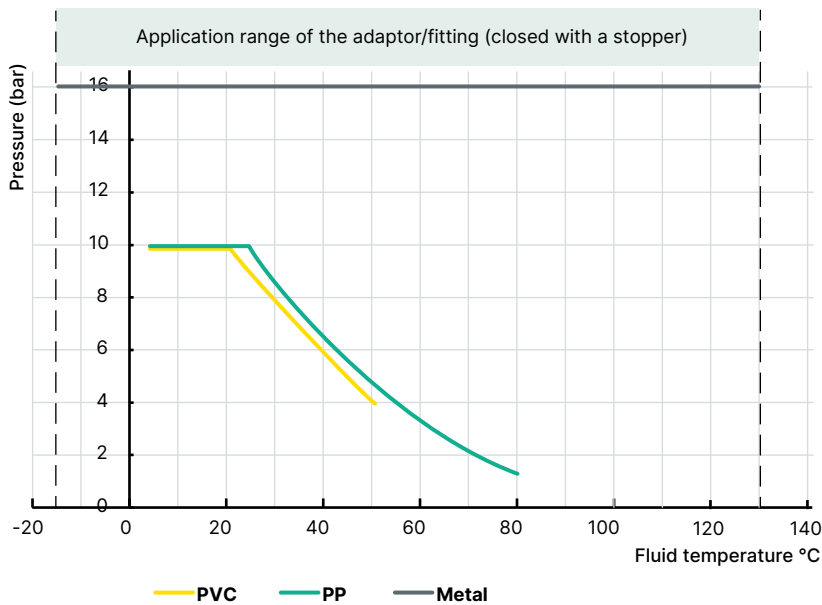


5. Performance specifications

5.1. Pressure temperature diagram

Note:

The pressure and temperature limits also depend on the measuring device inserted. Further information can be found in the user manual or data sheet of the inserted device.



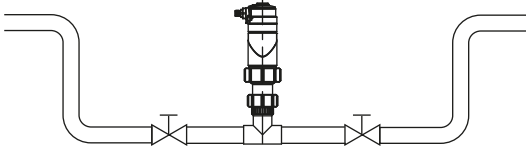
DTS 1000118437 EN Version: N Status: RL (released | freigegeben | validé) printed: 09.01.2025

6. Product installation

6.1. Installation notes

Analysis measurement

For pH and ORP measurements, we recommend a “U”- form bypass installation to ensure that the electrode is maintained in a wet condition and enable the customer to calibrate the unit without stopping the whole process or to use the special designed analysis measurement chamber.

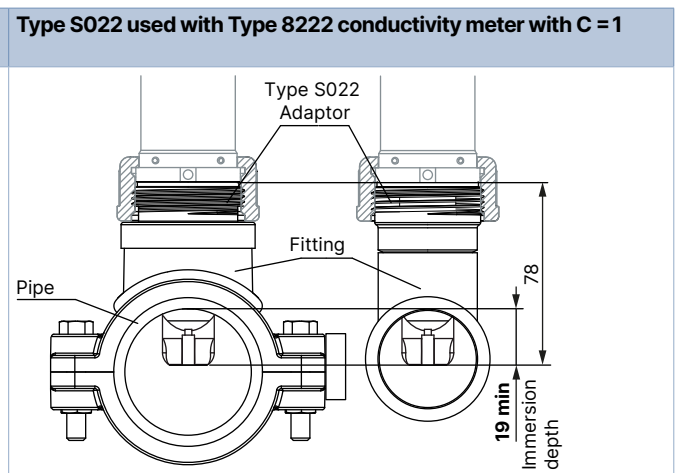
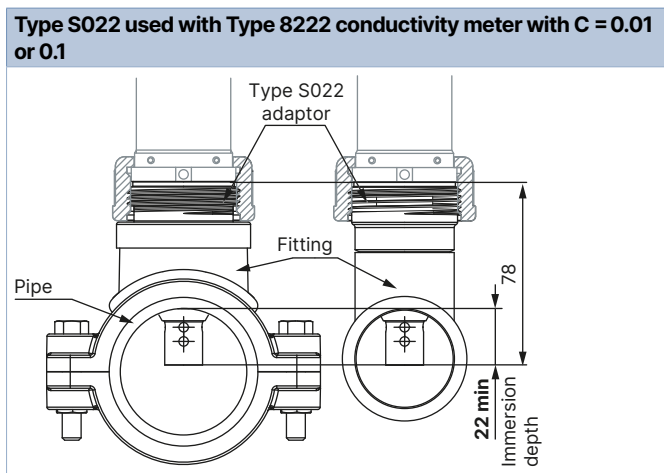
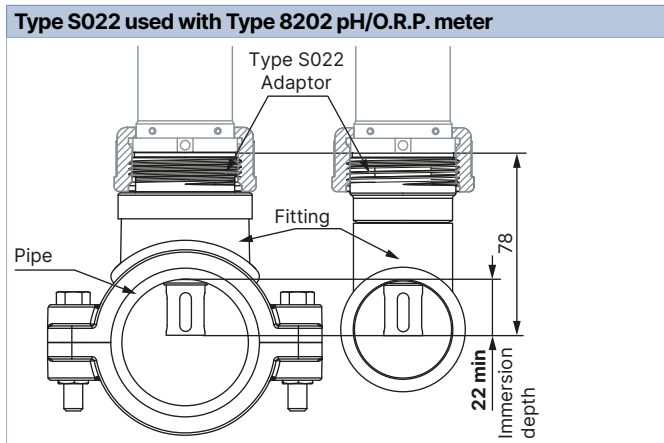


The specially designed analysis measurement chamber enables the installation of the measuring device Type 8202 or Type 8222 in all pipe systems, either directly in the main stream or in a by-pass line. Additionally it keeps the electrode always wet and isolates it easily from the main stream for calibration purposes.

It must also be ensured that:

- the pressure and temperature ratings are respected according to the selected adaptor material (see chapter “5.1. Pressure temperature diagram” on page 10).
- the sensor element is completely covered with liquid. Avoid dead legs which interfere with the local fluid exchange.

When mounting the adaptor into a T-fitting, a tank or directly into a pipe, please ensure that the minimum immersion depth of the electrode is respected (refer to the following drawing).



6.2. Mounting options

Adaptors mounting overview

Adaptor Type S022				
	PVC-U, PP, metric or ASTM	Stainless steel	PVC-U, G or NPT 1/4 screw-on	PVC-U, PP or stainless steel
For connection on piping systems				
	Fitting and reduction not supplied	Fitting and reduction not supplied	Fitting and reduction not supplied	Bürkert fitting body Type S020
Final products				
DN	32...110 (06...25 with reduction)	Respect recommendations for installation. Further information can be found in chapter "6.1. Installation notes" on page 11.	Respect recommendations for installation. Further information can be found in chapter "6.1. Installation notes" on page 11.	For Bürkert fitting body ≥ DN 32 or analytical true union fitting (DN 15...DN 25)


Fittings mounting overview

Fitting Type S022			
	PVC / FKM, metric	PVC / FKM, metric or ASTM	PP body & PP adaptor / EPDM
For connection on piping systems			
DN	10...100	15...50	50...110

DTS 1000118437 EN Version: N Status: RL (released | freigegeben | valide) printed: 09.01.2025

7. Ordering information

7.1. Bürkert eShop




Bürkert eShop – Easy ordering and quick delivery

You want to find your desired Bürkert product or spare part quickly and order directly? Our online shop is available for you 24/7. Sign up and enjoy all the benefits.

[Order online now](#)

7.2. Bürkert product filter








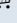

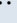

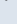

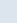

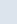
Bürkert product filter – Get quickly to the right product

You want to select products comfortably based on your technical requirements? Use the Bürkert product filter and find suitable articles for your application quickly and easily.

[Try out our product filter](#)





7.3. Ordering chart

Insertion adaptor for connection into T-fitting or pipe

Insertion adaptor	Description	Material Body / Seal ¹⁾	Type of installation	Article no.
	Metric solvent adaptor with G 1 1/2" external thread for ELEMENT measuring device connection	PVC-U / FKM, EPDM	To stick on T-fitting d32 x 32 or d40 x 32 with solvent socket	560705 
	Metric solvent adaptor with G 3/4" internal thread for ELEMENT neutrino conductivity meter, Type 8222, connection	PVC-U / FKM, EPDM	To stick on T-fitting d32 x 32 or d40 x 32 with solvent socket	568931 
	Metric solvent adaptor with G 1 1/2" external thread for ELEMENT measuring device connection	PVC-U / FKM, EPDM	To stick on T-fitting d50 x 32 to d50...110 x 32 with solvent socket	560706 
	Metric solvent adaptor with G 3/4" internal thread for ELEMENT neutrino conductivity meter, Type 8222, connection	PVC-U / FKM, EPDM	To stick on T-fitting d50 x 32 to d50...110 x 32 with solvent socket	568932 
	ASTM solvent adaptor with G 1 1/2" external thread for ELEMENT measuring device connection	PVC-U / FKM, EPDM	To stick on T-fitting 1" x 1" to 3" x 1" with solvent socket	561227 
	Metric fusion adaptor with G 1 1/2" external thread for ELEMENT measuring device connection	PP / FKM, EPDM	To weld on T-fitting d32 x 32 with fusion socket	561229 
	Metric welding adaptor Ø 33.7 with G 1 1/2" external thread for ELEMENT measuring device connection	Stainless steel / FKM, EPDM	To weld directly on pipe	561232 





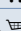


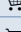
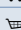




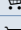
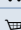


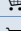
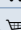





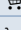
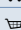

1.) The following is supplied with every adaptor: 1 FKM and 1 EPDM seals for the measuring device connection.

Insertion adaptor for connection on tank or pipe







Insertion adaptor	Description	Material Body / Seal ¹⁾	Type of installation	Article no.
	G 1/4" screw-on adaptor with G 1/2" external thread for ELEMENT measuring device connection	PVC-U / FKM, EPDM	To screw on tank or pipe	560707 
	NPT 1/4" screw-on adaptor with G 1/2" external thread for ELEMENT measuring device connection	PVC-U / FKM, EPDM	To screw on tank or pipe	561228 

1.) The following is supplied with every adaptor: 1 FKM and 1 EPDM seals for the measuring device connection.

Insertion fitting for connection on pipe

Insertion fitting	Description	Material Body / Seal	DN	Article no.
	Fitting with metric solvent ends connection with G 1/2" external thread for ELEMENT measuring device connection	PVC / FKM	10	559640 
			15	559641 
			20	559642 
			25	559643 
			32	559644 
			40	559645 
			50	559646 
			65	559647 
			80	559648 
	Fitting with metric true union connection with spigot and nut for pipe connection and with G 1/2" external thread for ELEMENT measuring device connection	PVC / FKM	15	560671 
			20	560672 
			25	560673 
			32	560674 
			40	560675 
	Fitting with ASTM true union connection with spigot and nut for pipe connection and with G 1/2" external thread for ELEMENT measuring device connection	PVC / FKM	15	560691 
			20	560692 
			25	560693 
			32	560694 
			40	560695 
	Fitting with saddle with G 1/2" external thread for ELEMENT measuring device connection	PP body & PP adaptor / EPDM	50	560700 
			65	560701 
			80	560702 
			100	560703 
			110	560704 


Adaptor to convert Type S020 T-fitting to Type S022

Adaptor	Description	Material Body / Seal ¹⁾	Type of installation	Article no.
	Adaptor with G 1/2" external thread for ELEMENT measuring device connection	PVC-U / FKM, EPDM	For Bürkert fitting body \geq DN 32 ²⁾	560854 
	Adaptor with G 1/2" external thread for ELEMENT measuring device connection	PP / FKM, EPDM	For Bürkert fitting body \geq DN 32 ²⁾	561230 
	Adaptor with G 1/2" external thread for ELEMENT measuring device connection	Stainless steel / FKM, EPDM	For Bürkert fitting body \geq DN 32 ²⁾	561233 

1.) The following is supplied with every adaptor: 1 FKM and 1 EPDM seals for the measuring device connection.


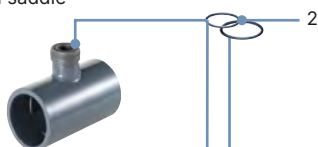
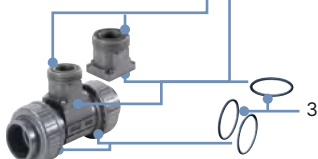
2.) Or with true union fitting (DN 15...DN 25) in analysis variant

Analysis measurement chamber

Description	Material Body	Type of installation	Article no.
 <p>Analysis measurement chamber with G 1 1/2" external thread for ELEMENT measuring device connection</p>	Stainless steel 316L - 1.4404	Pipe connection: G 1/2"	563552

Further variants on request	
 <p>Material PVC-C, PVDF with seal made of FKM or EPDM</p>	

7.4. Ordering chart accessories

Accessories	No.	Description	Article no.						
<p>Metal adaptor</p> 	-	Sealing plug made of stainless steel with union nut and O-ring (EPDM and FKM)	562625						
	-	Sealing plug made of in PVC with union nut and O-ring (EPDM and FKM)	562541						
<p>Plastic adaptor, Solvent end fittings and saddle</p> 	Seal set								
	1	O-ring made of FKM for metal adaptor	561654						
	1	O-ring made of EPDM for metal adaptor	561653						
	2	O-ring made of FKM for plastic adaptor, solvent end fittings and saddle	561399						
	2	O-ring made of EPDM for plastic adaptor, solvent end fittings and saddle	561398						
	3	O-ring ¹⁾ made of FKM for plastic adaptor or true union fitting	<table border="1"> <tr><td>DN 15...DN 32</td><td>431558 </td></tr> <tr><td>DN 40</td><td>431559 </td></tr> <tr><td>DN 50</td><td>431560 </td></tr> </table>	DN 15...DN 32	431558	DN 40	431559	DN 50	431560
DN 15...DN 32	431558								
DN 40	431559								
DN 50	431560								
<p>Plastic adaptor for conversion or true union fitting</p> 	3	O-ring ¹⁾ made of EPDM for plastic adaptor or true union fitting	<table border="1"> <tr><td>DN 15...DN 32</td><td>431564 </td></tr> <tr><td>DN 40</td><td>431565 </td></tr> <tr><td>DN 50</td><td>431566 </td></tr> </table>	DN 15...DN 32	431564	DN 40	431565	DN 50	431566
	DN 15...DN 32	431564							
	DN 40	431565							
DN 50	431566								

1.) The O-ring is only intended for fitting body with flat bottom groove. The O-ring is not suitable for fitting body with ribbed groove (old variant).

DTS 1000118437 EN Version: N Status: RL (released | freigegeben | valide) printed: 09.01.2025