



**Insertion fitting for volume flow rate or analysis measurements**

- Universal fitting for Insertion measuring devices for neutral, aggressive or contaminated fluids
- A wide range of process connections: DN 06...DN 400 in PVC, PP, PVDF, PE, stainless steel or brass
- Transmitters can be supplied for display, monitoring, signal transmission, 2-point control and dosing control

Product variants described in the data sheet may differ from the product presentation and description.

**Can be combined with**

	<b>Type 8020</b> ▶ Insertion flowmeter with paddle wheel for continuous flow measurement
	<b>Type 8025</b> ▶ Insertion flowmeter or batch controller with paddle wheel and flow transmitter or remote batch controller
	<b>Type 8026</b> ▶ Insertion flowmeter with paddle wheel, ELEMENT design
	<b>Type 8041</b> ▶ Electromagnetic Insertion flowmeter
	<b>Type 8045</b> ▶ Electromagnetic Insertion flowmeter
	<b>Type 8228</b> ▶ Inductive conductivity meter, ELEMENT Design
	<b>Type 8200</b> ▶ Holder for analysis probes

**Type description**

The Type S020 fitting can be used to connect any Insertion devices for in-pipeline measurement, such as for flow rate, pH, redox potential (ORP) or conductivity measurements.

The fitting is available for paddle-wheel and magnetic inductive flowmeters, as well as analysis measurement devices, with G 2 or clamp connections.

DTS 1000011768 EN Version: AW Status: RL (released | freigegeben | valide) printed: 03.02.2026

## Table of contents

<b>1. General technical data</b>	<b>4</b>
<b>2. Approvals and conformities</b>	<b>5</b>
2.1. General notes .....	5
2.2. Conformity .....	5
2.3. Standards .....	5
2.4. Pressure Equipment Directive (PED) .....	5
Device used in a pipe .....	5
2.5. Foods and beverages/Hygiene .....	6
<b>3. Materials</b>	<b>6</b>
3.1. Bürkert resistApp .....	6
<b>4. Dimensions</b>	<b>6</b>
4.1. Metal T-fitting for measuring device with G 2 process connection .....	6
Internal thread connection .....	6
External thread connection .....	7
Weld spigot connection .....	8
Clamp connection .....	9
Flange connection .....	9
4.2. Plastic T-fitting for measuring device with G 2 process connection .....	10
True union connection with nut and solvent/fusion socket .....	10
External thread connection .....	10
Solvent/fusion spigot connection .....	11
4.3. Straight connection for measuring device with G 2 process connection .....	12
Weld spigot connection without radius .....	12
Weld spigot connection with radius .....	12
Fusion spigot connection .....	13
Screw-on spigot connection .....	14
4.4. Saddle for flowmeter with G 2 process connection .....	14
4.5. Measurement chamber for analysis measuring device with G 2 process connection .....	15
4.6. T-fitting for flowmeter with clamp process connection .....	15
Weld spigot connection .....	15
4.7. Straight connection for flowmeter with clamp process connection .....	16
Weld spigot connection .....	16
<b>5. Performance specifications</b>	<b>16</b>
5.1. Pressure temperature diagram .....	16
<b>6. Product installation</b>	<b>17</b>
6.1. Installation notes .....	17
Flow measurement .....	17
Analysis measurement .....	17
6.2. Selection of the nominal diameter .....	18
<b>7. Product accessories</b>	<b>19</b>
<b>8. Networking and combination with other Bürkert products</b>	<b>20</b>
8.1. Networking and combination of the device .....	20
Fitting for measuring device with G 2 process connection .....	20
Fitting for flowmeter with clamp process connection .....	21
8.2. Combination of the Type S020 with a measuring device for flow rate, pH or ORP, conductivity measurement .....	22

<b>9. Ordering information</b>	<b>22</b>
9.1. Bürkert eShop .....	22
9.2. Bürkert product filter .....	22
9.3. Ordering chart .....	23
Metal T-fitting DN 06...DN 65 for measuring device with G 2 process connection .....	23
Plastic T-fitting DN 06...DN 65 for measuring device with G 2 process connection .....	24
Straight connection for measuring device with G 2 process connection .....	25
Weld/fusion spigot connection.....	25
Saddle for flowmeter with G 2 process connection .....	25
Measurement chamber for analysis measuring device with G 2 process connection .....	25
T-fitting DN 32...DN 100 for flowmeter Type 8041/8045 with clamp process connection .....	25
Straight connection DN 32...DN 100 for flowmeter Type 8041/8045 with clamp process connection .....	26
9.4. Ordering chart accessories.....	26
Accessories for all variants .....	26
Accessories for fitting for measuring device with G 2 process connection.....	26
Accessories for fitting for flowmeter Type 8041/8045 with clamp process connection .....	27

DTS 1000011768 EN Version: AW Status: RL (released | freigegeben | valide) printed: 03.02.2026

## 1. General technical data

Product properties	
<b>Material</b>	
Make sure the device materials are compatible with the fluid you are using. Further information can be found in chapter <a href="#">"3.1. Bürkert resistApp" on page 6.</a>	
<b>Non-wetted parts</b>	
Screw	Stainless steel (316L/1.4404)
<b>Wetted parts</b>	
Fitting body	<ul style="list-style-type: none"> <li>For G 2 flowmeter connection: Body and adapter respectively in brass (CuZn<sub>39</sub>Pb<sub>2</sub>) and stainless steel (316L/1.4404) or all in stainless steel (316L/1.4404), PVC, PP, PVDF or PE (depending on the fitting variant Type S020)</li> <li>For clamp flowmeter connection: Stainless steel 316L/1.4404</li> </ul>
Seal	<ul style="list-style-type: none"> <li>For G 2 flowmeter connection: FKM or EPDM (depending on the fitting variant Type S020)</li> <li>For clamp flowmeter connection: none</li> </ul>
Surface quality	For fitting in stainless steel: <ul style="list-style-type: none"> <li>For G 2 flowmeter connection               <ul style="list-style-type: none"> <li>T-fitting                   <ul style="list-style-type: none"> <li>inner surface: Ra &lt; 1.6 µm</li> <li>outer surface: Ra &lt; 3.2 µm</li> </ul> </li> <li>Straight connection and analysis measurement chamber                   <ul style="list-style-type: none"> <li>inner surface: Ra &lt; 1.6 µm</li> <li>outer surface: Ra &lt; 6.3 µm</li> </ul> </li> </ul> </li> <li>For clamp flowmeter connection               <ul style="list-style-type: none"> <li>T-fitting                   <ul style="list-style-type: none"> <li>inner surface: Ra &lt; 0.8 µm (excluding welding seams)</li> <li>outer surface: Ra &lt; 1.6 µm</li> </ul> </li> <li>Straight connection                   <ul style="list-style-type: none"> <li>inner surface: Ra &lt; 0.6 µm</li> <li>outer surface: Ra &lt; 1.2 µm</li> </ul> </li> </ul> </li> </ul>
Compatibility	With flowmeters Type 8020, 8025, 8026, 8041, 8045 or analysis measuring devices Type 8200/8203, 8220 or 8228
Pipe diameter	<ul style="list-style-type: none"> <li>For G 2 flowmeter connection: DN 06...DN 400 Combination between fitting and measuring device is sometimes restricted to some DN. Further information can be found in chapter <a href="#">"8.2. Combination of the Type S020 with a measuring device for flow rate, pH or ORP, conductivity measurement" on page 22.</a></li> <li>For clamp flowmeter connection: DN 32...DN 100</li> </ul>
Dimensions	Further information can be found in chapter <a href="#">"4. Dimensions" on page 6.</a>
<b>Medium data</b>	
Fluid temperature <sup>1)</sup>	For fitting in: <ul style="list-style-type: none"> <li>PVC: 0...+ 50 °C (+ 32...+ 122 °F)</li> <li>PP: 0...+ 80 °C (+ 32...+ 176 °F)</li> <li>PVDF: - 15...+ 100 °C (+ 5...+ 212 °F)</li> <li>PE: + 5...+ 70 °C (+ 41...+ 158 °F)</li> <li>stainless steel, brass: - 15...+ 160 °C (+ 5...+ 320 °F)</li> </ul>
Fluid pressure <sup>1)</sup>	For fitting in: <ul style="list-style-type: none"> <li>plastic: max. PN 10</li> <li>metal: max. PN 16</li> </ul> Further information can be found in chapter <a href="#">"5.1. Pressure temperature diagram" on page 16.</a>
<b>Product connections</b>	
Measuring devices connection	G 2 or clamp connection
Pipe connection	For fitting in: <ul style="list-style-type: none"> <li>plastic: true union with nut and solvent/fusion socket, spigot or external thread, saddle</li> <li>metal: internal or external thread, weld ends, clamp or flange</li> </ul>

## Approvals and conformities

### Directives

CE directive	Further information on the CE directive can be found in chapter <b>"2.3. Standards" on page 5.</b>
Pressure equipment directive	Complying with article 4, paragraph 1 of 2014/68/EU directive Further information on the pressure equipment directive can be found in chapter <b>"2.4. Pressure Equipment Directive (PED)" on page 5.</b>
Foods and beverages/Hygiene	FDA declaration of conformity (stainless steel fitting only with EPDM seal) Must be ordered separately. Further information can be found in chapter <b>"Accessories for all variants" on page 26.</b>
Materials	<ul style="list-style-type: none"> <li>• Inspection certificate 3.1 (according to EN-ISO 10204)</li> <li>• Certification of Conformity for the surface Quality (according to DIN4762, DIN4768, ISO/4287/1)</li> </ul> Must be ordered separately. Further information can be found in chapter <b>"Accessories for all variants" on page 26.</b>
Others	<ul style="list-style-type: none"> <li>• 3 points flow calibration certificate</li> <li>• Test report 2.2 (according to EN-ISO 10204)</li> </ul> Must be ordered separately. Further information can be found in chapter <b>"Accessories for all variants" on page 26.</b>

## Environment and installation

Ambient temperature	Operation and storage: the temperature limits also depend on the temperature limits of the inserted device, see the relevant data sheet or operating instructions for more information
---------------------	--

1.) The temperature and pressure limits also depend on the temperature or pressure limits of the inserted device, see the relevant data sheet or operating instructions for more information. If the specified temperature or pressure ranges for the fitting and the inserted device are different, use the most restrictive range.

## 2. Approvals and conformities

### 2.1. General notes

- The approvals and conformities listed below must be stated when making enquiries. This is the only way to ensure that the product complies with all required specifications.
- Not all available variants of the device can be supplied with the below mentioned approvals or conformities.

### 2.2. Conformity

In accordance with the Declaration of Conformity, the product is compliant with the EU Directives.

### 2.3. Standards

The applied standards which are used to demonstrate compliance with the EU Directives are listed in the EU-Type Examination Certificate and/or the EU Declaration of Conformity.

### 2.4. Pressure Equipment Directive (PED)

The device conforms to article 4, paragraph 1 of the Pressure Equipment Directive (PED) 2014/68/EU under the following conditions:

#### Device used in a pipe

##### Note:

- The data in the table is independent of the chemical compatibility of the material and the fluid.
- PS = maximum admissible pressure (in bar), DN = nominal diameter of the pipe

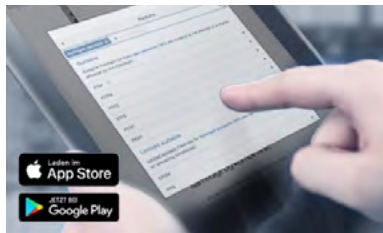
Type of fluid	Conditions
Fluid group 1, article 4, paragraph 1.c.i	DN ≤ 25
Fluid group 2, article 4, paragraph 1.c.i	DN ≤ 32 or PS*DN ≤ 1000
Fluid group 1, article 4, paragraph 1.c.ii	DN ≤ 25 or PS*DN ≤ 2000
Fluid group 2, article 4, paragraph 1.c.ii	DN ≤ 200 or PS ≤ 10 or PS*DN ≤ 5000

### 2.5. Foods and beverages/Hygiene

Conformity	Description
FDA	<b>FDA – Code of Federal Regulations</b> The variants with the housing made of stainless steel materials and the seal made of EPDM materials are compliant in their composition with the Code of Federal Regulations published by the FDA (Food and Drug Administration, USA) according to the manufacturer's declaration.

## 3. Materials

### 3.1. Bürkert resistApp



#### Bürkert resistApp – Chemical resistance chart

You want to ensure the reliability and durability of the materials in your individual application case? Verify your combination of media and materials on our website or in our resistApp.

[Start chemical resistance check](#)

## 4. Dimensions

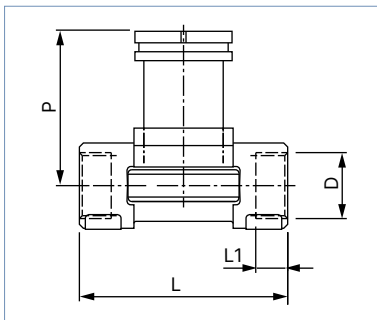
### 4.1. Metal T-fitting for measuring device with G 2 process connection

#### Internal thread connection

**Note:**

- Dimensions in mm, unless otherwise stated
- For use with a flowmeter with short sensor
- Suitable from DN 32 for use with an analysis measuring device

According to G, NPT or Rc in stainless steel (316L/1.4404) and/or brass (CuZn<sub>39</sub>Pb<sub>2</sub>)



DN	P	L	L1	D
				[inch]
15	80.3	84.0	16.0	G ½
				NPT ½
				Rc ½
20	77.8	94.0	17.0	G ¾
				NPT ¾
				Rc ¾
25	78.0	104.0	23.5	G 1
				NPT 1
				Rc 1
32	81.6	119.0	23.5	G 1 ¼
				NPT 1 ¼
				Rc 1 ¼
40	85.4	129.0	23.5	G 1 ½
				NPT 1 ½
				Rc 1 ½
50	91.5	148.5	27.5	G 2
				NPT 2
				Rc 2

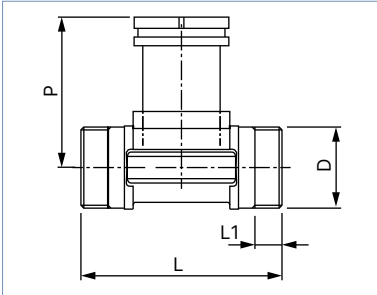
DTS 1000011768 EN Version: AW Status: RL (released | freigegeben | valide) printed: 03.02.2026

**External thread connection**

**Note:**

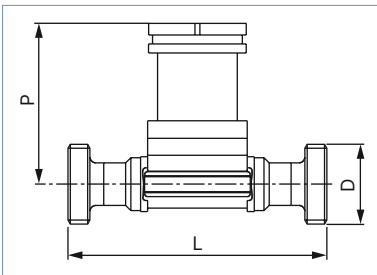
- Dimensions in mm, unless otherwise stated
- For use with a flowmeter with short sensor
- Suitable from DN 32 for use with an analysis measuring device

According to G in stainless steel (316L/1.4404) and/or brass (CuZn<sub>39</sub>Pb<sub>2</sub>) or PVC (only DN 06 and DN 08)



DN	P	L	L1	D	
				[Inch]	[mm]
06	75.3	90.0	14.0	G 1/2	-
08	75.3	90.0	14.0	G 1/2	-
15	80.3	84.0	11.5	G 3/4	-
20	77.8	94.0	13.5	G 1	-
25	78.0	104.0	14.0	G 1 1/4	-
32	81.6	119.0	18.0	G 1 1/2	-
40	85.4	129.0	19.0	-	M55 × 2
50	91.5	148.5	20.0	-	M64 × 2

According to SMS 1145 in stainless steel (316L/1.4404)



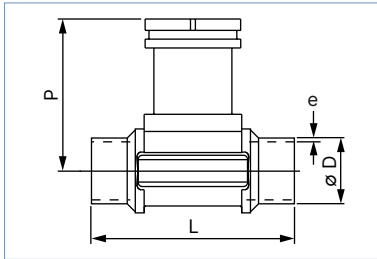
DN	P	L	D
25	77.8	130	Rd 40 x 1/6"
40	81.6	164	Rd 60 x 1/6"
50	85.4	173	Rd 70 x 1/6"

**Weld spigot connection**

**Note:**

- Dimensions in mm, unless otherwise stated
- For use with a flowmeter with short sensor
- Suitable from DN 32 for use with an analysis measuring device

According to EN ISO 1127/ISO 4200/DIN 11866 series B, SMS 3008 or BS 4825-1/ASME BPE/DIN 11866 series C in stainless steel (316L/1.4404)



DN	P	Standard	L	ØD	e
15	80.3	EN ISO 1127/ISO 4200/DIN 11866 Series B	84.0	21.30	1.60
	–	SMS 3008	–	–	–
	–	ASME BPE/DIN 11866 Series C	–	–	–
20	77.8	EN ISO 1127/ISO 4200/DIN 11866 Series B	94.0	26.9	1.60
	–	SMS 3008	–	–	–
	83.3	ASME BPE/DIN 11866 Series C	84.0	19.05	1.65
25	78.0	EN ISO 1127/ISO 4200/DIN 11866 Series B	104.0	33.70	2.00
	77.8	SMS 3008	94.0	25.00	1.20
	77.8	BS 4825-1/ASME BPE/DIN 11866 Series C	94.0	25.40	1.65
32	81.6	EN ISO 1127/ISO 4200/DIN 11866 Series B	119.0	42.40	2.00
	–	SMS 3008	–	–	–
	78.0	BS 4825-1/ASME BPE/DIN 11866 Series C	104.0	32.00	1.65
40	85.4	EN ISO 1127/ISO 4200/DIN 11866 Series B	129.0	48.30	2.00
	81.6	SMS 3008	119.0	38.00	1.20
	81.6	BS 4825-1/ASME BPE/DIN 11866 Series C	119.0	38.10	1.65
50	91.5	EN ISO 1127/ISO 4200/DIN 11866 Series B	148.5	60.30	2.60
	85.4	SMS 3008	128.0	51.00	1.20
	85.4	BS 4825-1/ASME BPE/DIN 11866 Series C	128.0	50.80	1.65
65	–	EN ISO 1127/ISO 4200/DIN 11866 Series B	–	–	–
	91.5	SMS 3008	147.0	63.50	1.60
	91.5	BS 4825-1/ASME BPE/DIN 11866 Series C	147.0	63.50	1.65

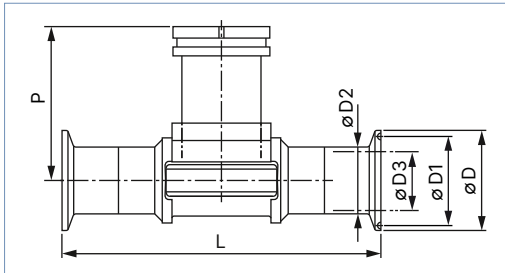
DTS 1000011768 EN Version: AW Status: RL (released | freigegeben | valide) printed: 03.02.2026

**Clamp connection**

**Note:**

- Dimensions in mm, unless otherwise stated
- For use with a flowmeter with short sensor
- Suitable from DN 32 for use with an analysis measuring device

According to DIN 32676 series B, SMS 3017 or BS 4825-3/ASME BPE in stainless steel (316L/1.4404)



DN	P	Standard	L	ØD	ØD1	ØD2	ØD3
15	80.3	DIN 32676 Series B <sup>1)</sup>	130	34.0	27.5	21.30	18.10
	-	SMS 3017	-	-	-	-	-
	-	ASME BPE	-	-	-	-	-
20	77.8	DIN 32676 Series B	150	50.5	43.5	26.90	23.70
	-	SMS 3017	-	-	-	-	-
	80.3	ASME BPE	119	25.0	19.6	19.05	15.75
25	78.0	DIN 32676 Series B	160	50.5	43.5	33.70	29.70
	77.8	SMS 3017	129	50.5	43.5	25.00	22.60
	77.8	BS 4825-3/ASME BPE	129	50.5	43.5	25.40	22.10
32	81.6	DIN 32676 Series B	180	50.5	43.5	42.40	38.40
	-	SMS 3017	-	-	-	-	-
	-	BS 4825-3/ASME BPE	-	-	-	-	-
40	85.4	DIN 32676 Series B	200	64.0	56.5	48.30	44.30
	81.6	SMS 3017	161	50.5	43.5	38.00	35.60
	81.6	BS 4825-3/ASME BPE	161	50.5	43.5	38.10	34.80
50	91.5	DIN 32676 Series B	230	77.5	70.5	60.30	55.10
	85.4	SMS 3017	192	64.0	56.5	51.00	48.60
	85.4	BS 4825-3/ASME BPE	192	64.0	56.5	50.80	47.50
65	-	DIN 32676 Series B	-	-	-	-	-
	91.5	SMS 3017	216	77.5	70.5	63.50	60.30
	91.5	BS 4825-3/ASME BPE	216	77.5	70.5	63.50	60.20

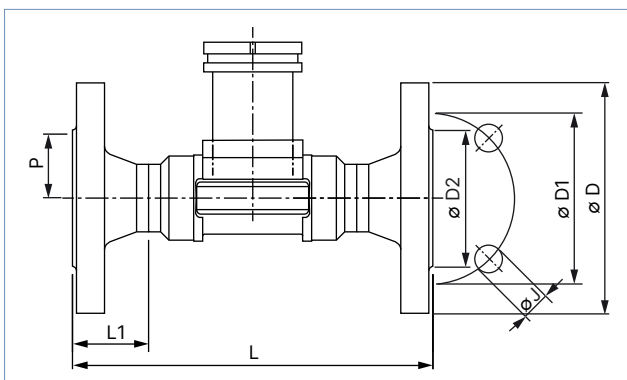
1.) Similar to DIN 32676 series B but with 34.0 mm clamp connection

**Flange connection**

**Note:**

- Dimensions in mm, unless otherwise stated
- For use with a flowmeter with short sensor
- Suitable from DN 32 for use with an analysis measuring device

According to EN1092-1/B1/PN 16 or ANSI B16-5 in stainless steel (316L/1.4404)



DN	P	Standard	L	L1	ØD	ØD1	ØD2	ØJ
15	80.3	EN	130	23.5	95.0	65.0	45.0	4 × 14.0
		ANSI	130		89.0	60.3	34.9	4 × 15.8
20	77.8	EN	150	28.5	105.0	75.0	58.0	4 × 14.0
		ANSI	150		99.0	69.8	42.9	4 × 15.8
25	78.0	EN	160	28.5	115.0	85.0	68.0	4 × 14.0
		ANSI	160		108.0	79.4	50.8	4 × 15.8
32	81.6	EN	180	31.0	140.0	100.0	78.0	4 × 18.0
		ANSI	180		117.0	88.9	63.5	4 × 15.8
40	85.4	EN	200	36.0	150.0	110.0	88.0	4 × 18.0
		ANSI	200		127.0	98.4	73.0	4 × 15.8
50	91.5	EN	230	41.0	165.0	125.0	102.0	4 × 18.0
		ANSI	230		152.0	120.6	92.1	4 × 19.0

DTS 1000011768 EN Version: AW Status: RL (released | freigegeben | valide) printed: 03.02.2026

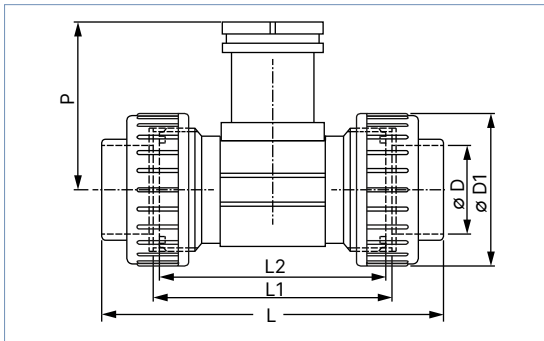
#### 4.2. Plastic T-fitting for measuring device with G 2 process connection

##### True union connection with nut and solvent/fusion socket

**Note:**

- Dimensions in mm, unless otherwise stated
- For use with a flowmeter with short sensor
- Suitable for use with an analysis measuring device. Note that the fittings DN 15...DN 25 to be used for the analysis measurement differ from those for the flow measurement.

According to DIN 8063, ASTM D 1785/76 or JIS K in PVC, DIN 16962 in PP or ISO 10931 in PVDF



DN	P	Standard	L	L1	L2	ØD	ØD1
15	80.4	DIN/ISO	128.0	96	90	20.00	43
		ASTM	130.0			21.30	
		JIS	129.0			18.40	
15 <sup>1.)</sup>	81.4	DIN/ISO	148.0	116	110	20.00	74
20	77.8	DIN/ISO	144.0	106	100	25.00	53
		ASTM	145.6			26.70	
		JIS	145.0			26.45	
20 <sup>1.)</sup>	81.4	DIN/ISO	154.0	116	110	25.00	74
25	78.0	DIN/ISO	160.0	116	110	32.00	60
		ASTM	161.4			33.40	
		JIS	161.0			32.55	
25 <sup>1.)</sup>	81.4	DIN/ISO	160.0	116	110	32.00	74
32	81.4	DIN/ISO	168.0	116	110	40.00	74
		ASTM	170.0			42.20	
		JIS	169.0			38.60	
40	85.2	DIN/ISO	188.0	127	120	50.00	83
		ASTM	190.2			48.30	
		JIS	190.0			48.70	
50	91.5	DIN/ISO	212.0	136	130	63.00	103
		ASTM	213.6			60.30	
		JIS	213.0			60.80	

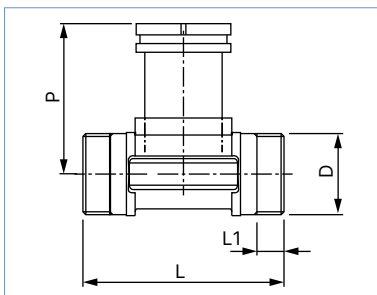
1.) Fitting for analysis measurement

##### External thread connection

**Note:**

- Dimensions in mm, unless otherwise stated
- For use with a flowmeter with short sensor
- Not suitable for use with an analysis measuring device

According to G in PVC (only DN 06 and DN 08)



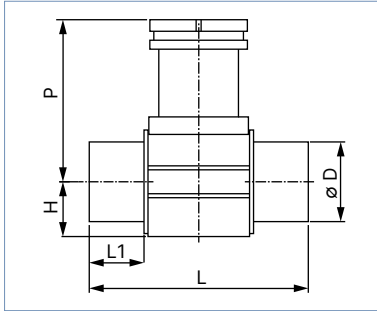
DN	P	L	L1	D [Inch]
06	75.3	90.0	14.0	G ½
08	75.3	90.0	14.0	G ½

**Solvent/fusion spigot connection**

**Note:**

- Dimensions in mm, unless otherwise stated
- For use with a flowmeter with short sensor
- Suitable from DN 32 for use with an analysis measuring device

According to DIN 8063 in PVC, DIN 16962 in PP or ISO 10931 in PVDF



DN	P	Standard	H	L	L1	ØD
15	80.4	DIN 8063	17.5	90	16.5	20
		DIN 16962		85	14.0	
		DIN 10931		85	14.0	
20	77.8	DIN 8063	17.5	100	20.0	25
		DIN 16962		92	16.0	
		DIN 10931		92	16.0	
25	78.0	DIN 8063	21.5	110	23.0	32
		DIN 16962		95	18.0	
		DIN 10931		95	18.0	
32	81.4	DIN 8063	27.5	110	27.5	40
		DIN 16962		100	20.0	
		DIN 10931		100	20.0	
40	85.2	DIN 8063	31.5	120	30.0	50
		DIN 16962		106	23.0	
		DIN 10931		106	23.0	
50	91.5	DIN 8063	39.5	130	37.0	63
		DIN 16962		110	27.0	
		DIN 10931		110	27.0	

DTS 1000011768 EN Version: AW Status: RL (released | freigegeben | valide) printed: 03.02.2026

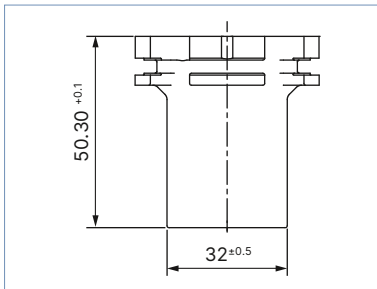
### 4.3. Straight connection for measuring device with G 2 process connection

#### Weld spigot connection without radius

**Note:**

- Dimensions in mm, unless otherwise stated
- Only suitable for mounting analysis measuring devices on various tanks

In stainless steel (316L/1.4404)

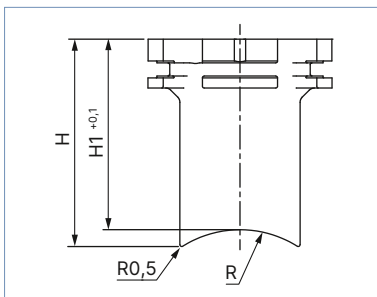


#### Weld spigot connection with radius

**Note:**

- Dimensions in mm, unless otherwise stated
- For use with a flowmeter with short sensor for DN 50...DN 200 and with long sensor for DN 250...DN 350
- Only suitable from DN 50...DN 200 for use with an analysis measuring device

In stainless steel (316L/1.4404)



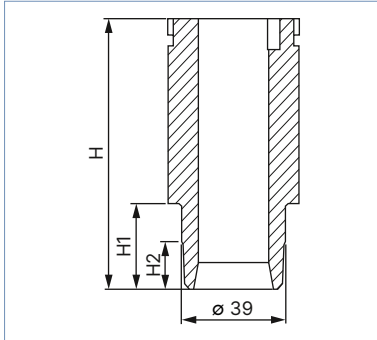
DN	H	H1	R
50	61.6	56.6	30.2
65	58.6	54.5	36.7
80	56.4	53.1	44.5
100	53.2	50.7	57.2
125	50.3	48.2	70.7
150	47.4	45.7	84.2
200	42.3	41.0	109.6
250	74.7	73.6	136.6
300	68.7	67.8	162.0
350	64.7	63.9	177.8

**Fusion spigot connection**

**Note:**

- Dimensions in mm, unless otherwise stated
- For use with a flowmeter with short sensor for DN 65...DN 100 and with long sensor for DN 125...DN 400
- Only suitable for DN 65...DN 100 for use with an analysis measuring device

In PE, PP or PVDF



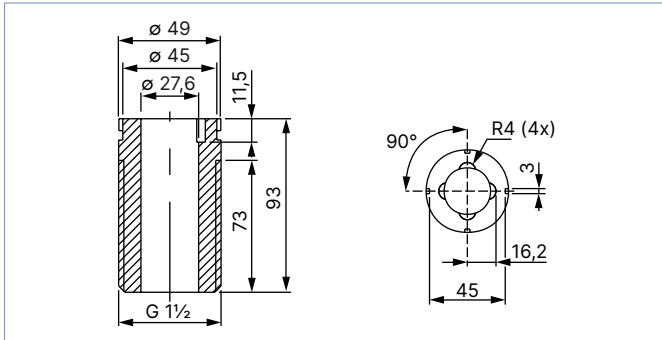
DN	H	Materials	H1	H2
65	72.5	PE	13.0	-
		PP	13.0	-
		PVDF	10.4	-
80	72.5	PE	15.6	-
		PP	15.6	-
		PVDF	12.5	-
100	72.5	PE	19.0	5.0
		PP	19.0	5.0
		PVDF	15.2	6.0
125	102.0	PE	24.2	8.0
		PP	-	-
		PVDF	-	-
150	102.0	PE	27.7	10.0
		PP	27.7	10.0
		PVDF	-	-
200	102.0	PE	38.9	16.0
		PP	38.9	16.0
		PVDF	-	-
250	102.0	PE	48.4	21.0
		PP	48.4	21.0
		PVDF	-	-
300	102.0	PE	54.5	24.0
		PP	54.5	24.0
		PVDF	-	-
350	102.0	PE	61.3	28.0
		PP	61.3	28.0
		PVDF	-	-
400	102.0	PE	69.1	31.5
		PP	-	-
		PVDF	-	-

**Screw-on spigot connection**

**Note:**

- Dimensions in mm, unless otherwise stated
- Only for use with a flowmeter with long sensor

In PVC, PP, PE

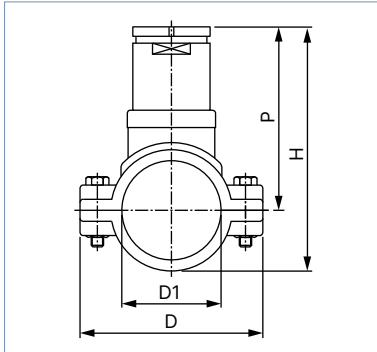


**4.4. Saddle for flowmeter with G 2 process connection**

**Note:**

- Dimensions in mm, unless otherwise stated
- Only for use with a flowmeter with long sensor

Body and adapter in PP, seal in EPDM, reinforcing ring in stainless steel



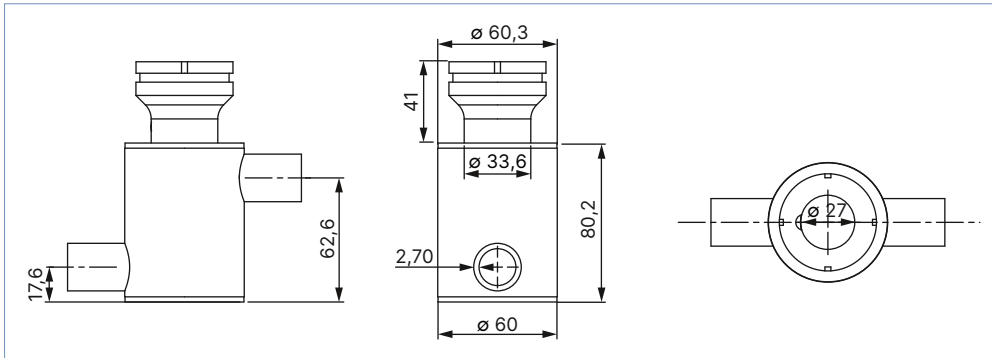
DN	P	H	D	D1
50	116.0	155	116	63
65	115.0	160	129	75
80	119.0	171	144	90
100	124.0	187	166	110
110	120.0	191	181	125
125	127.0	205	196	140
150	137.0	225	216	160
180	161.0	271	266	200
200	173.0	291	290	225

#### 4.5. Measurement chamber for analysis measuring device with G 2 process connection

**Note:**

Dimensions in mm, unless otherwise stated

In stainless steel 316L/1.4404, G 1/2 pipe connection



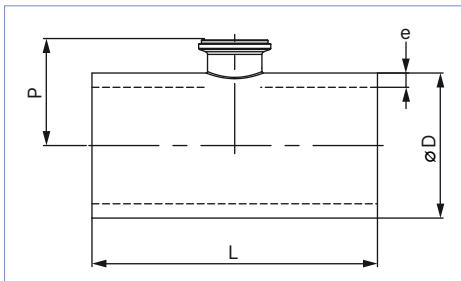
#### 4.6. T-fitting for flowmeter with clamp process connection

**Weld spigot connection**

**Note:**

Dimensions in mm, unless otherwise stated

According to SMS 3008, BS 4825-1/ASME BPE/DIN 11866 Series C or DIN 11850 Series 2/DIN 11866 Series A/DIN EN 10357 Series A in stainless steel 316L/1.4404



DN	P	Standard	L	ØD	e
40	42.5	SMS 3008	140.0	38.0	1.20
	43.7	ASME BPE/DIN 11866 Series C	120.6	38.1	1.65
	44.3	DIN 11850 Series 2/DIN 11866 Series A/ DIN EN 10357 Series A	120.0	41.0	1.50
50	49.3	SMS 3008	164.0	51.0	1.20
	50.6	BS 4825-1/ASME BPE/DIN 11866 Series C	146.0	50.8	1.65
	50.8	DIN 11850 Series 2/DIN 11866 Series A/ DIN EN 10357 Series A	160.0	53.0	2.00
65	54.4	SMS 3008	210.0	63.5	1.60
	55.4	BS 4825-1/ASME BPE/DIN 11866 Series C	158.8	63.5	1.65
	59.6	DIN 11850 Series 2/DIN 11866 Series A/ DIN EN 10357 Series A	210.0	70.0	2.00
80	60.7	SMS 3008	220.0	76.1	1.60
	62.0	BS 4825-1/ASME BPE/DIN 11866 Series C	171.5	76.2	1.65
	67.3	DIN 11850 Series 2/DIN 11866 Series A/ DIN EN 10357 Series A	260.0	85.0	2.00
100	73.8	BS 4825-1/ASME BPE/DIN 11866 Series C	209.6	101.6	2.11
	77.1	DIN 11850 Series 2/DIN 11866 Series A/ DIN EN 10357 Series A	310.0	104.0	2.00

DTS 1000011768 EN Version: AW Status: RL (released | freigegeben | valide) printed: 03.02.2026

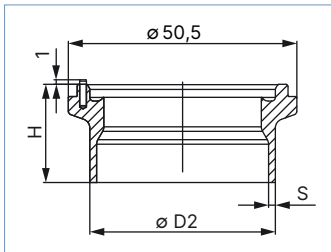
### 4.7. Straight connection for flowmeter with clamp process connection

#### Weld spigot connection

**Note:**

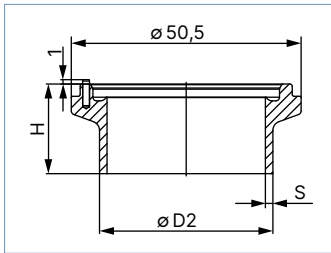
Dimensions in mm, unless otherwise stated

According to SMS 3008, DIN 11850 Series 2/DIN 11866 Series A/DIN EN 10357 Series A in stainless steel 316L/1.4404



DN	Standard	H	S	D2
40	SMS 3008	21.7	1.2	38
	DIN 11850 Series 2/DIN 11866 Series A/DIN EN 10357 Series A	21.7	1.5	41
50	SMS 3008	21.7	1.2	38
	DIN 11850 Series 2/DIN 11866 Series A/DIN EN 10357 Series A	21.7	1.5	41
65	SMS 3008	19.7	1.2	38
	DIN 11850 Series 2/DIN 11866 Series A/DIN EN 10357 Series A	21.7	1.5	41
80	SMS 3008	19.7	1.2	38
	DIN 11850 Series 2/DIN 11866 Series A/DIN EN 10357 Series A	21.7	1.5	41
100	DIN 11850 Series 2/DIN 11866 Series A/DIN EN 10357 Series A	19.7	1.5	41

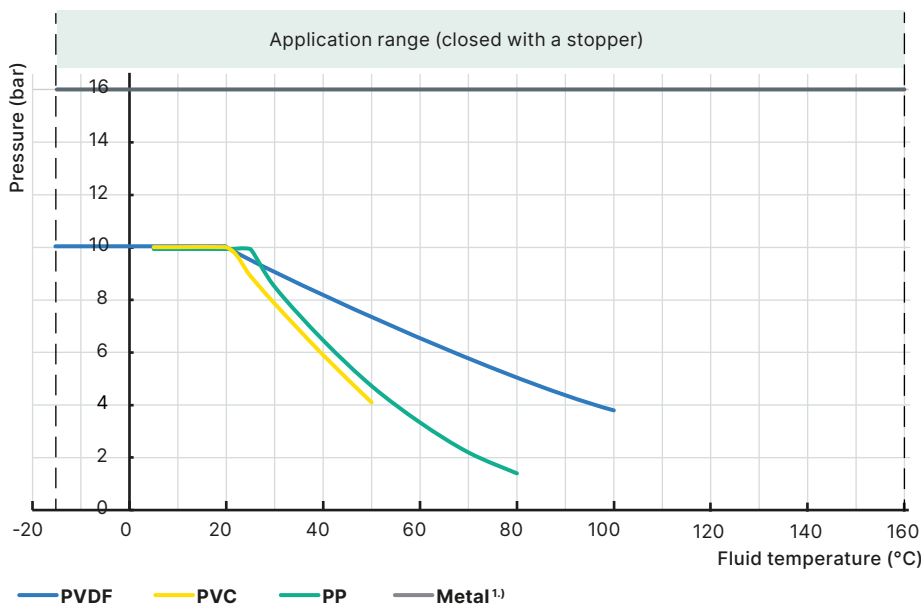
According to BS 4825-1/ASME BPE/DIN 11866 Series C in stainless steel 316L/1.4404



DN	Standard	H	S	D2
40	ASME BPE/DIN 11866 Series C	23.7	1.65	38.1
50	BS 4825-1/ASME BPE/DIN 11866 Series C	23.7	1.65	38.1
65	BS 4825-1/ASME BPE/DIN 11866 Series C	19.7	1.65	38.1
80	BS 4825-1/ASME BPE/DIN 11866 Series C	19.7	1.65	38.1
100	BS 4825-1/ASME BPE/DIN 11866 Series C	19.7	1.65	38.1

## 5. Performance specifications

### 5.1. Pressure temperature diagram



1.) Excepted fitting DN 100 (-15...+160 °C, PN 10) with clamp measuring device connection

## 6. Product installation

### 6.1. Installation notes

#### Flow measurement

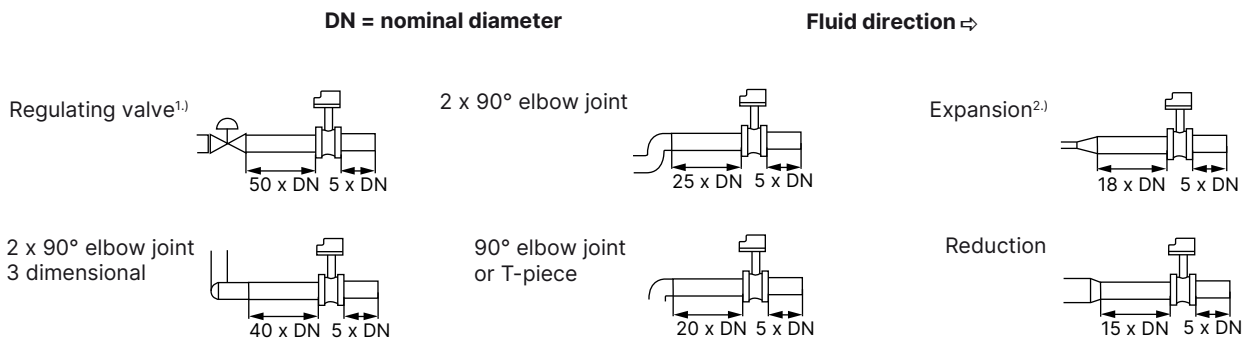
**Note:**

The fitting combined with a measuring device is not suitable for use in gaseous media and steam.

Minimum straight distances upstream and downstream of the sensor must be observed. These stabilizing distances depend on the pipe's design. Increasing these distances or installing a flow conditioner may be necessary to obtain the best accuracy. For more information, refer to EN ISO 5167-1.

EN ISO 5167-1 specifies the straight inlet and outlet distances that must be complied with when installing fittings in pipe lines in order to achieve calm flow conditions. The most commonly used elements that could lead to turbulence in the flow are shown below. The related minimum inlet and outlet distances that ensure a calm flow are also specified.

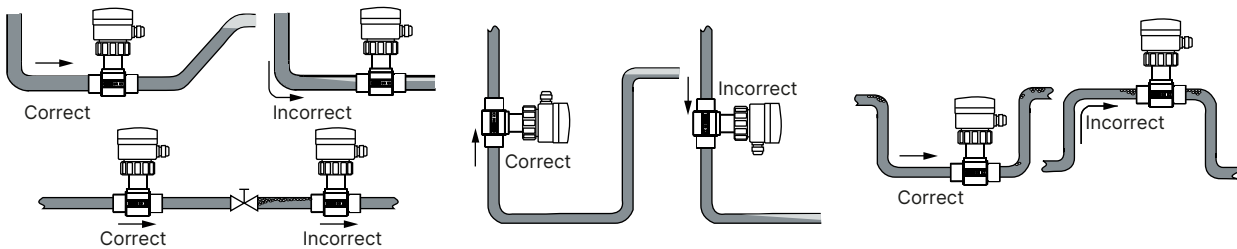
Make sure that the measurement conditions at the point of measurement are calm and problem-free.



1.) If the valve cannot be mounted after the measuring device, the minimal distances have to be respected.  
 2.) If an expansion cannot be avoided, the minimal distances have to be respected.  
 Take the minimum flow velocity into account.

The complete measuring device can be installed in either horizontal or vertical pipes, but following additional conditions should be respected:

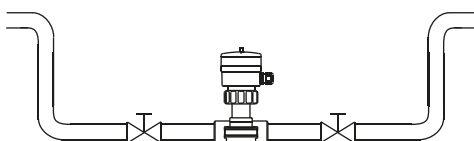
- The pipe always has to be filled with fluid at all times near the device.
- The pipe design must be such that no air bubbles or cavitation can form within the medium near the device at any time.



Pressure and temperature ratings must be respected according to the selected fitting material. The suitable pipe size is selected using the diagram in the chapter "Nominal size selection" of the fitting, see chapter "6.2. Selection of the nominal diameter" on page 18.

#### Analysis measurement

For these analysis measurements, we recommended a "U"- form bypass installation to ensure that the sensor does not dry out and can also be calibrated without stopping the whole process or to use the special designed analysis measurement chamber.



The specially designed analysis measurement chamber enables to install all pH, ORP, conductivity measuring devices in all pipe systems, either directly in the main flow or in a by-pass line. Additionally, the electrode is always be kept wet and is easily isolated from the main flow for calibration purposes.

### 6.2. Selection of the nominal diameter

The following graph is used to determine the appropriate DN of the pipe and fitting for the application, according to the fluid velocity and the flow rate. On the chart, the intersection of flow velocity and flow rate gives the appropriate diameter.

**Note:**

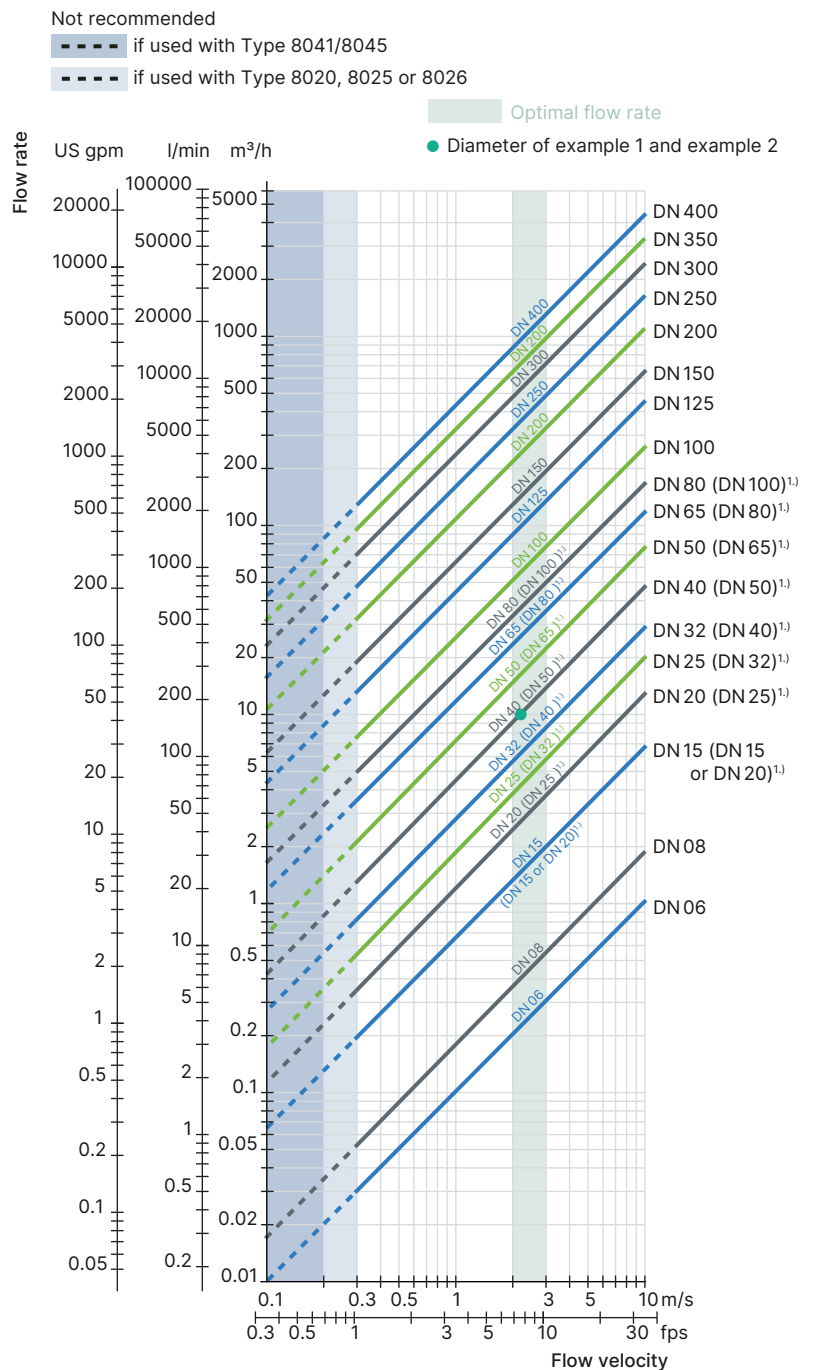
- For the fittings listed below, the corresponding nominal size in the bracket on the graph must be used:
  - External threads acc. to SMS 1145
  - Weld ends acc. to SMS 3008, BS4825-1/ASME BPE/DIN 11866 series C or DIN 11850 series 2/DIN 11866 series A/ DIN EN 10357 series A
  - Clamp acc. to SMS 3017, BS 4825-3/ASME BPE or DIN 32676 series A.
- For all other fittings, the corresponding nominal diameter without bracket applies.

**Example 1:**

- Nominal flow: 10 m<sup>3</sup>/h
  - Optimal flow velocity: 2...3 m/s
- Result: select a pipe size of DN 40

**Example 2 with external threads acc. to SMS 1145:**

- Nominal flow: 10 m<sup>3</sup>/h
  - Optimal flow velocity: 2...3 m/s
- Result: select a pipe size of DN 50



1.) See note at the beginning of this chapter.

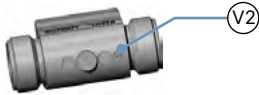
## 7. Product accessories

**Note:**

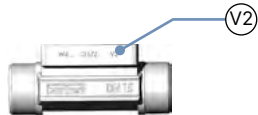
Since March 2012, the Type S020 fittings in DN 15 and DN 20 have been available in 2 variants with different K factors. Further information can be found in the user manual in the K factor chapter, see **Type S020** ▶.

The 2nd variant is identified by the “v2” marking. This “v2” marking can be found:

- on the bottom of the DN 15 or DN 20 fitting in plastic



- on the side of the DN 15 or DN 20 fitting in metal



Accessory	No.	Description
	1	O-ring seal for metal fitting
	2	O-ring seal <sup>1)</sup> for plastic fitting

1.) The O-ring is only intended for fitting body with flat bottom groove. The O-ring is not suitable for fitting body with ribbed groove (old variant).

## 8. Networking and combination with other Bürkert products

### 8.1. Networking and combination of the device

Fitting for measuring device with G 2 process connection

Example:

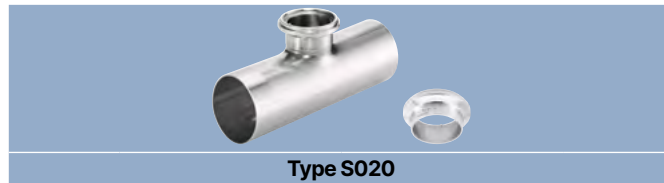




Flowmeter				
<b>Type 8020 ▶</b> Insertion flowmeter with paddle wheel	<b>Type 8025 ▶</b> Insertion flowmeter or batch controller with paddle wheel	<b>Type 8026 ▶</b> Insertion flowmeter with paddle wheel, ELEMENT design	<b>Type 8041 ▶</b> Magnetic inductive Insertion flowmeter	<b>Type 8045 ▶</b> Magnetic inductive Insertion flowmeter
Analysis measuring device				
<b>Type 8200 ▶</b> + <b>Type 8203 ▶</b> Armatures and pH- or ORP probes	<b>Type 8220 ▶</b> Conductivity sensor	<b>Type 8228 ▶</b> Conductivity sensor, ELEMENT design		
Transmitter				
<b>Type 8619 ▶</b> multiCELL - transmitter/controller	<b>Type 8025 ▶</b> Flow transmitter (only for flowmeter)	<b>Type 8611 ▶</b> eCONTROL - Universal controller panel, wall or rail-mounting variant		

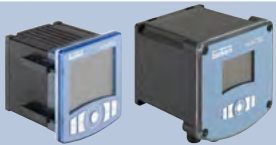


DTS 1000011768 EN Version: AW Status: RL (released | freigegeben | valide) printed: 03.02.2026

**Fitting for flowmeter with clamp process connection**

Example:



Flowmeter	
	
<p><b>Type 8041 ▶</b> Magnetic inductive Insertion flowmeter</p>	<p><b>Type 8045 ▶</b> Magnetic inductive Insertion flowmeter</p>

Transmitter		
		
<p><b>Type 8619 ▶</b> multiCELL - transmitter/controller</p>	<p><b>Type 8025 ▶</b> Flow transmitter</p>	<p><b>Type 8611 ▶</b> eCONTROL - Universal controller panel, wall or rail-mounting variant</p>

DTS 1000011768 EN Version: AW Status: RL (released | freigegeben | valide) printed: 03.02.2026

**8.2. Combination of the Type S020 with a measuring device for flow rate, pH or ORP, conductivity measurement**


	DN 06	DN 32	DN 50	DN 65	DN 100	DN 200	DN 350	DN 400	
Available Type S020 fittings DN	<b>For device with G 2" connection</b>								
	T-fitting	[Bar chart: DN 06 to DN 65]							
	Welding socket				[Bar chart: DN 50 to DN 350]				
	Fusion spigot				[Bar chart: DN 65 to DN 400]				
	Screw-on spigot				[Bar chart: DN 100 to DN 400] For flow measurement				
	Saddle				[Bar chart: DN 50 to DN 200] For flow measurement				
Device for	<b>For device with clamp connection</b>								
	T-fitting or welding socket				[Bar chart: DN 32 to DN 100]				
	<b>Flow rate measurement</b> Type 8020, 8025, 8026, 8041 and 8045 with G 2" process connection								
	DN 06	DN 15	DN 20 <sup>1)</sup>	DN 32 <sup>1)</sup>	DN 50	DN 100	DN 200	DN 400	
	[Bar chart: DN 06 to DN 15] only 8041/8045		[Bar chart: DN 20 to DN 32] short sensor		[Bar chart: DN 50 to DN 100] short or long sensor <sup>2)</sup>		[Bar chart: DN 200 to DN 400] long sensor		
	Type 8041 and 8045 with clamp process connection								
				[Bar chart: DN 32 to DN 100]					
<b>Analytical measurement</b> pH or ORP: Type 8200/8203 Conductivity: Type 8220, 8228									
		[Bar chart: DN 15 to DN 200] 3.)							

- 1.) DN 20 fittings according to the following standards cannot be used with flowmeters Type 8020, Type 8025 and Type 8026.  
DN 32 fittings according to the following standards cannot be used with analysis measuring devices Type 8200/8203, Type 8220 and Type 8228.  
Standards: fittings with external threads according to SMS 1145, weld ends according to SMS 3008, BS 4825-1/ASME BPE/DIN 11866 series C or DIN 11850 series 2/DIN 11866 series A/ DIN EN 10357 series A, Clamp according to SMS 3017, BS 4825-3/ASME BPE, DIN 32676 series A.
- 2.) See the note for the use of the fitting in chapter "4. Dimensions" on page 6
- 3.) Only use plastic fittings with true union process connection in the analysis variant, with nut and solvent/fusion socket according to DIN 8063 (PVC), to DIN 16962 (PP) or to ISO 10931 (PVDF), other materials are available on request.

For further details about the various combination possibilities (measuring device and fitting), **consult the measuring device related data sheet.**

**9. Ordering information**

**9.1. Bürkert eShop**




**Bürkert eShop – Easy ordering and quick delivery**

You want to find your desired Bürkert product or spare part quickly and order directly? Our online shop is available for you 24/7. Sign up and enjoy all the benefits.

[Order online now](#)

**9.2. Bürkert product filter**



**Bürkert product filter – Get quickly to the right product**

You want to select products comfortably based on your technical requirements? Use the Bürkert product filter and find suitable articles for your application quickly and easily.

[Try out our product filter](#)

### 9.3. Ordering chart

#### Metal T-fitting DN 06...DN 65 for measuring device with G 2 process connection

Standard	Article no.								
	DN 06 - 1/2"	DN 08 - 1/2"	DN 15	DN 20	DN 25	DN 32	DN 40	DN 50	DN 65
<b>Brass body and stainless steel adapter - Fluid temperature max. 160 °C, PN 16</b>									
<b>FKM seal</b>									
<b>Internal thread connection</b>									
G	-	-	428712	428713	428714	428715	428716	428717	-
NPT	-	-	428718	428719	428720	428721	428722	428723	-
Rc	-	-	428724	428725	428726	428727	428728	428729	-
<b>External thread connection</b>									
G	-	-	428730	428731	428732	428733	428734	428735	-
<b>Stainless steel body and stainless steel adapter - Fluid temperature max. 160 °C, PN 16</b>									
<b>FKM seal</b>									
<b>Internal thread connection</b>									
G	-	-	428736	428737	428738	428739	428740	428741	-
NPT	-	-	428742	428743	428744	428745	428746	428747	-
Rc	-	-	428748	428749	428750	428751	428752	428753	-
<b>External thread connection</b>									
G	552434	552432	428754	428755	428756	428757	428758	428759	-
<b>Weld spigot connection</b>									
EN ISO 1127/ISO 4200/ DIN 11866 series B	-	-	428760	428761	428762	428763	428764	428765	-
<b>Clamp connection</b>									
DIN 32676 series B	-	-	428766 <sup>1.)</sup>	428767	428768	428769	428770	428771	-
<b>Flange connection</b>									
EN 1092-1/B1/PN 16	-	-	428772	428773	428774	428775	428776	428777	-
ANSI B16- 5	-	-	428778	428779	428780	428781	428782	428783	-
<b>EPDM seal</b>									
<b>External thread connection</b>									
SMS 1145	-	-	-	-	443317	-	443318	443319	-
<b>Weld spigot connection</b>									
SMS 3008	-	-	-	-	443309	-	443310	443311	443944 <sup>3.)</sup>
BS 4825-1/ASME BPE/ DIN 11866 series C	-	-	-	443734 <sup>2.)</sup>	443735	443736	443942	443943	443944
<b>Clamp connection</b>									
SMS 3017	-	-	-	-	443313	-	443314	443315	443969 <sup>3.)</sup>
BS 4825-3/ ASME BPE	-	-	-	443965 <sup>2.)</sup>	443966	-	443967	443968	443969

1.) Refer to clamp with D dimensions of 34 mm (see chapter "Clamp connection" on page 9)  
 2.) DN 20 (3/4") only available in ASME BPE  
 3.) Refer to ASME BPE

#### Further variants on request



##### Process connection

- Weld spigot connection according to DIN 11850 series 2/DIN 11866 series A/ DIN EN 10357 series A
- Clamp according to DIN 32676 series A

DTS 1000011768 EN Version: AW Status: RL (released | freigegeben | valide) printed: 03.02.2026

**Plastic T-fitting DN 06...DN 65 for measuring device with G 2 process connection**

Standard	Article no.								
	DN 06 -1/2"	DN 08 -1/2"	DN 15	DN 20	DN 25	DN 32	DN 40	DN 50	DN 65
<b>PVC body and PVC adapter - Fluid temperature max. 50 °C, PN 10</b>									
<b>FKM seal</b>									
<b>True union connection with nut and solvent socket</b>									
DIN 8063	-	-	428670	428671	428672	428673	428674	428675	-
ASTM D 1785/76	-	-	428682	428683	428684	428685	428686	428687	-
JIS K	-	-	429078	429079	429080	429081	429082	429083	-
<b>Solvent spigot connection</b>									
DIN 8063	-	-	428676	428677	428678	428679	428680	428681	-
<b>Analysis variant - True union connection with nut and solvent socket</b>									
DIN 8063	-	-	430837	430838	430839	428673	428674	428675	-
<b>EPDM seal</b>									
<b>External thread connection</b>									
G	552561	550062	-	-	-	-	-	-	-
<b>PP body and PP adapter - Fluid temperature max. 80 °C, PN 10</b>									
<b>FKM seal</b>									
<b>True union connection with nut and fusion socket</b>									
DIN 16962	-	-	428688	428689	428690	428691	428692	428693	-
<b>Fusion spigot connection</b>									
DIN 16962	-	-	428694	428695	428696	428697	428698	428699	-
<b>Analysis variant - True union connection with nut and fusion socket</b>									
DIN 16962	-	-	430840	430841	430842	428691	428692	428693	-
<b>PVDF body and PVDF adapter - Fluid temperature max. 100 °C, PN 10</b>									
<b>FKM seal</b>									
<b>True union connection with nut and fusion socket</b>									
ISO 10931	-	-	428700	428701	428702	428703	428704	428705	-
<b>Fusion spigot connection</b>									
ISO 10931	-	-	428706	428707	428708	428709	428710	428711	-
<b>Analysis variant - True union connection with nut and fusion socket</b>									
ISO 10931	-	-	430843	430844	430845	428703	428704	428705	-

DTS 1000011768 EN Version: AW Status: RL (released | freigegeben | valide) printed: 03.02.2026

**Straight connection for measuring device with G 2 process connection**

**For tank installation**

Description	Article no.
Weld spigot connection without radius <sup>1)</sup> made of stainless steel - Fluid temperature max. 160 °C, PN 16	415294 ☞

1.) Only for analysis measuring devices

**For pipe installation, DN 50...DN 400**

Article no.										
DN 50	DN 65	DN 80	DN 100	DN 125	DN 150	DN 200	DN 250	DN 300	DN 350	DN 400
<b>Weld/fusion spigot connection</b>										
<b>Stainless steel - with radius - Fluid temperature max. 160 °C, PN 16</b>										
418111 ☞	418112 ☞	418113 ☞	418114 ☞	418115 ☞	418116 ☞	418117 ☞	418756 ☞	420070 ☞	416637 ☞	-
<b>PE - Fluid temperature max. 70 °C, PN 10</b>										
-	418642 ☞	418643 ☞	418644 ☞	418590 ☞	418645 ☞	418646 ☞	418647 ☞	418648 ☞	418649 ☞	418598 ☞
<b>Analysis variant - PE - Fluid temperature max. 70 °C, PN 10</b>										
-	418644 ☞	418644 ☞	418644 ☞	-	-	-	-	-	-	-
<b>PP - Fluid temperature max. 80 °C, PN 10</b>										
-	418650 ☞	418651 ☞	418652 ☞	-	418653 ☞	418654 ☞	418655 ☞	418656 ☞	418657 ☞	-
<b>Analysis variant - PP - Fluid temperature max. 80 °C, PN 10</b>										
-	418652 ☞	418652 ☞	418652 ☞	-	-	-	-	-	-	-
<b>PVDF - Fluid temperature max. 100 °C, PN 10</b>										
-	418658 ☞	418659 ☞	418660 ☞	-	-	-	-	-	-	-
<b>Analysis variant - PVDF - Fluid temperature max. 100 °C, PN 10</b>										
-	418660 ☞	418660 ☞	418660 ☞	-	-	-	-	-	-	-
<b>Screw-on spigot connection</b>										
<b>PVC - Fluid temperature max. 50 °C, PN 10</b>										
-	-	-	418170 ☞	418170 ☞	418170 ☞	418170 ☞	-	-	-	-
<b>PE - Fluid temperature max. 70 °C, PN 10</b>										
-	-	-	436489 ☞	436489 ☞	436489 ☞	436489 ☞	436489 ☞	436489 ☞	436489 ☞	436489 ☞
<b>PP - Fluid temperature max. 50 °C, PN 10</b>										
-	-	-	436488 ☞	436488 ☞	436488 ☞	436488 ☞	436488 ☞	436488 ☞	436488 ☞	436488 ☞

**Saddle for flowmeter with G 2 process connection**

Seal	Article no.									
	DN 50	DN 65	DN 80	DN 100	DN 110	DN 125	DN 150	DN 180	DN 200	
<b>PP body and PP adapter - Fluid temperature max. 60 °C, PN 10 (for PVC or PP pipe)</b>										
EPDM	425138 ☞	425139 ☞	425140 ☞	425141 ☞	425142 ☞	425143 ☞	425144 ☞	433873 ☞	425416 ☞	

**Measurement chamber for analysis measuring device with G 2 process connection**

Description	Article no.
Analysis measurement chamber in stainless steel 316L/1.4404 (other material on request)	553611 ☞

**T-fitting DN 32...DN 100 for flowmeter Type 8041/8045 with clamp process connection**

Standard	Article no.					
	DN 32 PN 16	DN 40 PN 16	DN 50 PN 16	DN 65 PN 16	DN 80 PN 16	DN 100 PN 10
<b>Stainless steel - Fluid temperature max. 160 °C</b>						
SMS 3008	-	564915 ☞	564916 ☞	564917 ☞	564918 ☞	<sup>1)</sup>
BS 4825-1/ASME BPE/DIN 11866 series C	-	564920 ☞	564921 ☞	564922 ☞	564923 ☞	564924 ☞
DIN 11850 series 2/DIN 11866 series A/DIN EN 10357 series A	-	564925 ☞	564926 ☞	564927 ☞	564928 ☞	564929 ☞

DTS 1000011768 EN Version: AW Status: RL (released | freigegeben | valide) printed: 03.02.2026

**Straight connection DN 32...DN 100 for flowmeter Type 8041/8045 with clamp process connection**

Standard	Article no.					
	DN 32 PN 16	DN 40 PN 16	DN 50 PN 16	DN 65 PN 16	DN 80 PN 16	DN 100 PN 10
<b>Stainless steel - Fluid temperature max. 160 °C</b>						
SMS 3008	–	564696	564696	564697	564697	<sup>1)</sup>
BS 4825-1/ASME BPE/DIN 11866 series C	–	564698	564698	564699	564699	564699
DIN 11850 series 2/DIN 11866 series A/DIN EN 10357 series A	–	565069	565069	565069	565069	565390

1.) Refer to BS 4825-1/ASME BPE/DIN 11866 series C or to DIN 11850 series 2/DIN 11866 series A/DIN EN 10357 series A.

**Further variants on request**

**Process connection**  
According to EN ISO 1127/ISO 4200/DIN 11866 series B (DN 32...DN 80)

**9.4. Ordering chart accessories**

**Accessories for all variants**

Description	Article no.
<b>Approvals/Certificates</b>	
3-point flow calibration certificate <sup>1)</sup>	550676
Inspection certificate 3.1 (according to EN-ISO 10204)	803723
Test report 2.2 (according to EN-ISO 10204)	803722
Certification of Conformity for the surface Quality (according to DIN4762, DIN4768, ISO/4287/1)	804175
FDA declaration of conformity	803724

1.) Type S020 combined with the inserted flowmeter, only for DN ≤ 200.

**Accessories for fitting for measuring device with G 2 process connection**

**Note:**

Since March 2012, the Type S020 fittings in DN 15 and DN 20 exist in 2 variants, with different K factors. The 2nd variant is identified by the “v2” marking.




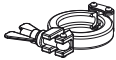


See chapter “7. Product accessories” on page 19.

Accessories	Description	Article no.
<b>Sealing plug with ring, union nut and O-ring</b>		
	Stainless steel	438755
	PVC	438754
	PP	627614
<b>Adapter with 4 screws (DN 06...DN 65)</b>		
	Stainless steel	555484
	PVC	561175
	PP	561176
	PVDF	561177
<b>O-Ring set (DN 06...DN 65)</b>		
Between fitting body and adapter		
FKM - for metal fitting (5 parts)		428971
EPDM - for metal fitting (5 parts)		428972
FKM - for plastic fitting (1 part <sup>1)</sup> )		561043
EPDM - for plastic fitting (1 part <sup>1)</sup> )		561044

1.) The O-ring is only intended for fitting body with flat bottom groove. The O-ring is not suitable for fitting body with ribbed groove (old variant).

DTS 1000011768 EN Version: AW Status: RL (released | freigegeben | valide) printed: 03.02.2026

**Accessories for fitting for flowmeter Type 8041/8045 with clamp process connection**

Accessory	Description	Article no.
	1 EPDM fitting/measuring device seal	730837 
	1 FEP fitting/measuring device seal	730839 
	Clamp collar	731164 
	Sealing plug for fitting	565200 