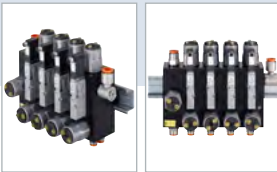




Redundancy valve block for safety-related shut-off function

- Redundancy functions possible
- Pressure switch included
- DIN-rail mounting



Product variants described in the data sheet may differ from the product presentation and description.

Type description

The Type MKRS extends the versatility of valve island Type 8640 as well as the automation system Type 8644. Combining Type MKRS with valve Types 6524 and 6525, redundancy valve functions can be installed. Thereby according to machinery directives EN ISO 13849 higher safety functionalities up to performance level d can be reached.

Table of contents

1. General technical data	3
1.1. Valve block.....	3
1.2. Valves.....	3
1.3. Diaphragm pressure switch.....	3
2. Approvals and conformities	4
2.1. General notes.....	4
2.2. Conformity.....	4
2.3. Standards.....	4
3. Materials	4
3.1. Bürkert resistApp.....	4
4. Dimensions	5
5. Product operation	6
5.1. Pneumatic circuit diagram.....	6
6. Ordering information	6
6.1. Bürkert eShop.....	6
6.2. Bürkert product filter.....	6
6.3. Ordering chart standard version.....	6

DTS 1000285116 EN Version: E Status: RL (released | freigegeben | valide) printed: 18.12.2024

1. General technical data

1.1. Valve block

Product properties	
Dimensions	Further information can be found in chapter "4. Dimensions" on page 5.
Materials	
Body	Anodised aluminium
Electrical data	
Protection class	III according to VDE 0580
Process/Port connection & communication	
Supply port connection	D8
Working port	D6
Environment and installation	
Degree of protection	IP20
Installation	Any, preferably horizontal on the standard rail

1.2. Valves

Product properties	
Dimensions	Further information can be found in chapter "4. Dimensions" on page 5.
Materials	
Body	PA
Circuit function	3/2-way valve (normally closed)
Performance data	
Power consumption	0.8 W
Pilot pressure	2.5...10 bar
Manual override	No
Response times ¹⁾	Opening: 15 ms, closing: 20 ms
Electrical data	
Operating voltage	24 V
Medium data	
Medium	Oil-free or lubricated compressed dry air, neutral gases (5 µm filter recommended)
Medium temperature	-10...+50 °C
Process/Port connection & communication	
Electrical connection	Circular plug M8
Environment and installation	
Ambient temperature	-10...+55 °C

1.) Measuring according to ISO 12238

1.3. Diaphragm pressure switch

Product properties	
Dimensions	Further information can be found in chapter "4. Dimensions" on page 5.
Materials	
Body	Zinc-coated steel, CrVI-free
Seal	NBR
Function	Opener (normally closed)
Adjustment range (tolerance at room temperature)	1...10 bar (+0.5 bar)
Performance data	
Switching frequency	< 200/min ⁻¹
Electrical data	
Operating voltage	Max. 42 V
Process/Port connection & communication	
Electrical connection	Screw connection M3

2. Approvals and conformities

2.1. General notes

- The approvals and conformities listed below must be stated when making enquiries. This is the only way to ensure that the product complies with all required specifications.
- Not all available versions can be supplied with the below mentioned approvals or conformities.

2.2. Conformity

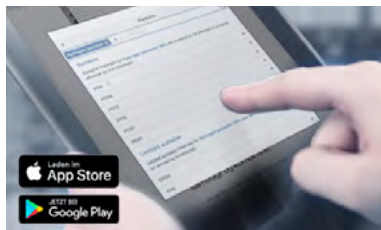
In accordance with the Declaration of Conformity, the product is compliant with the EU Directives.

2.3. Standards

The applied standards which are used to demonstrate compliance with the EU Directives are listed in the EU-Type Examination Certificate and/or the EU Declaration of Conformity.

3. Materials

3.1. Bürkert resistApp



Bürkert resistApp – Chemical resistance chart

You want to ensure the reliability and durability of the materials in your individual application case? Verify your combination of media and materials on our website or in our resistApp.

[Start chemical resistance check](#)

4. Dimensions

Note:

Dimensions in mm

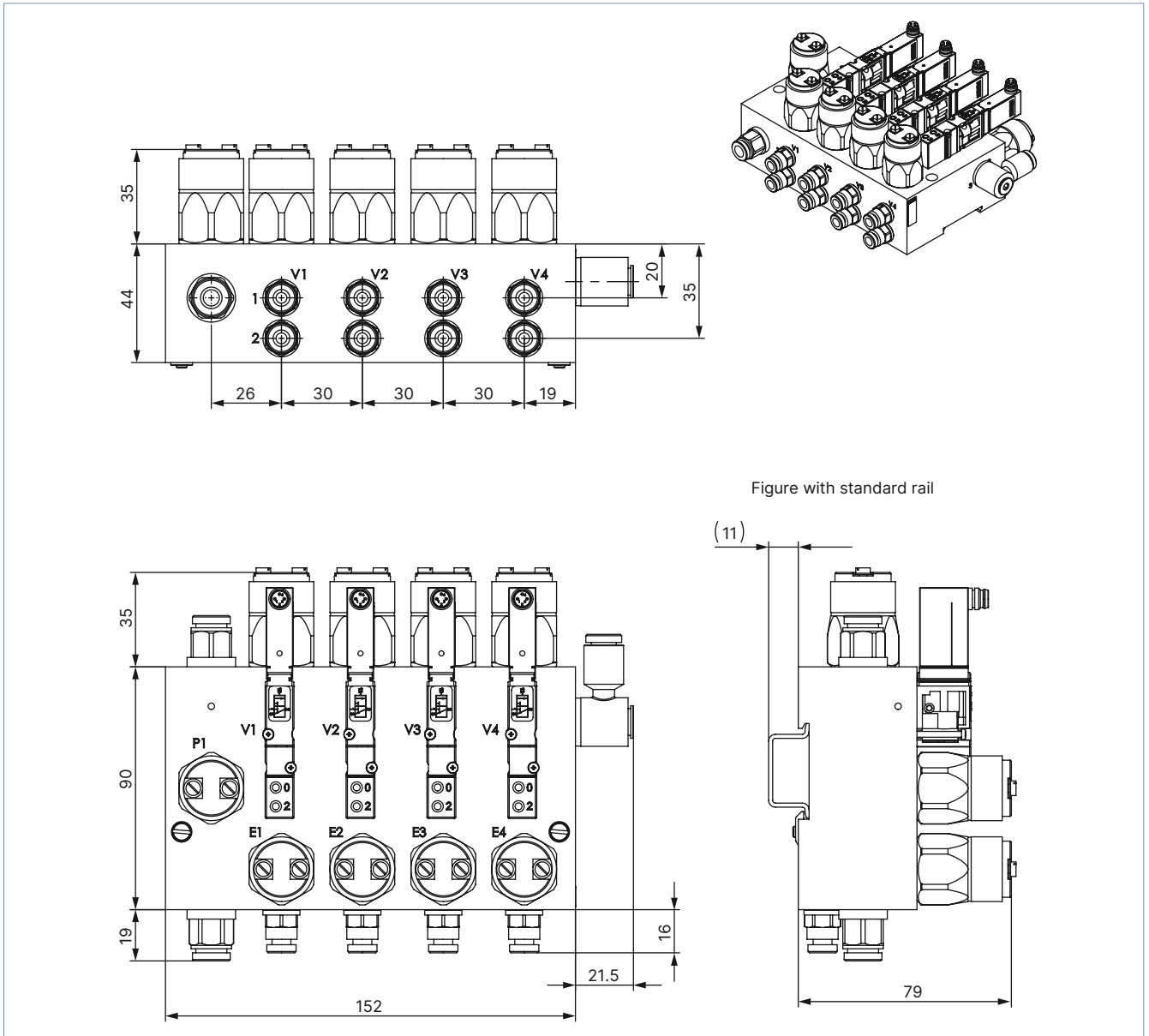
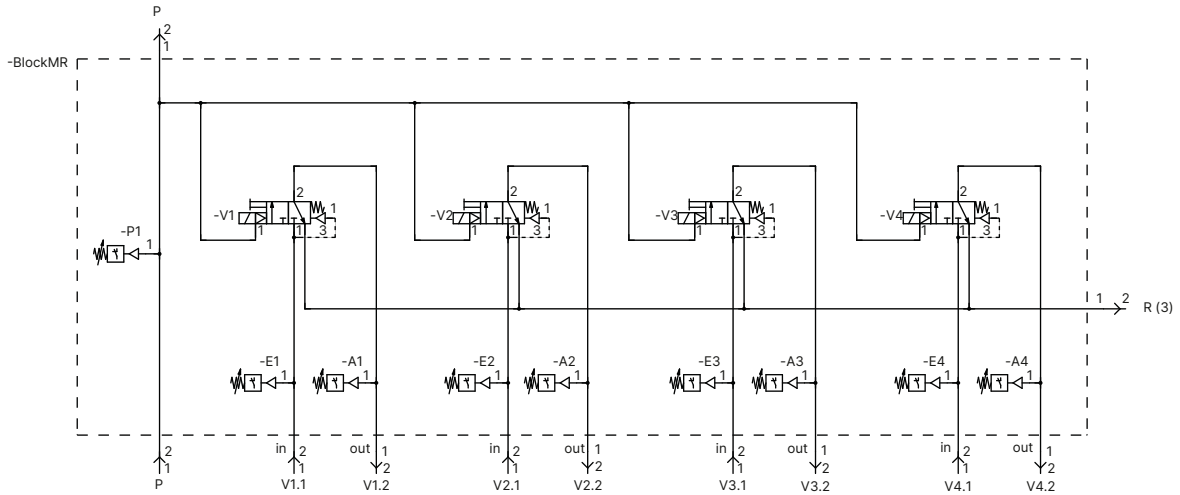


Figure with standard rail

5. Product operation

5.1. Pneumatic circuit diagram



6. Ordering information

6.1. Bürkert eShop



Bürkert eShop – Easy ordering and quick delivery

You want to find your desired Bürkert product or spare part quickly and order directly? Our online shop is available for you 24/7. Sign up and enjoy all the benefits.

[Order online now](#)

6.2. Bürkert product filter



Bürkert product filter – Get quickly to the right product

You want to select products comfortably based on your technical requirements? Use the Bürkert product filter and find suitable articles for your application quickly and easily.

[Try out our product filter](#)

6.3. Ordering chart standard version

Description	Quantity of valve slots	Quantity of redundancy valves	Pressure monitoring in the P-channel	Pressure monitoring per valve		External Pilot air	Article no.
				Upstream valve	Downstream valve		
Fully equipped	4	4	yes	yes	yes	yes	287280
Partly equipped	4	2	yes	yes	yes	yes	287281