

## Clamp socket, clamps and seals according to DIN 32676

- Sealing geometry and dimensions according to applicable standards
- All wetted materials in contact with media can be tracked
- Part of the BBS modular system

Product variants described in the data sheet may differ from the product presentation and description.

### Can be combined with



**Type BBS-03**

Fitting with welded connection according to DIN 11864-1 and BBS sterile contour



**Type BBS-05**

Clamp connection with welded connection according to DIN 11864-3 and BBS-Sterile contour



**Type BBS-06**

Sterile contour flange connection according to DIN 11864-2 with welded connection



**Type BBS-07**

Sterile contour block flange

### Type description

The three-part BBS-25 clamp connections consisting of clamp sockets, clamps and seals are compatible with all standard connections on the market. Clamp connections can be combined in accordance with DIN 32676. For connections with higher demands, we recommend the BBS sterile contour connections BBS-03, BBS-05 oder BBS-06.

## Table of contents

<b>1. General technical data</b>	<b>3</b>
<hr/>	
<b>2. Approvals and conformities</b>	<b>3</b>
2.1. General notes .....	3
2.2. Conformity .....	3
2.3. Standards .....	3
2.4. Foods and beverages/Hygiene .....	3
<hr/>	
<b>3. Materials</b>	<b>4</b>
3.1. Bürkert resistApp .....	4
<hr/>	
<b>4. Dimensions</b>	<b>4</b>
4.1. Clamp ferrule .....	4
4.2. Clamp ferrule blind cover .....	5
4.3. Clamp gasket .....	6
4.4. Clamp bracket .....	7
<hr/>	
<b>5. Ordering information</b>	<b>8</b>
5.1. Bürkert eShop .....	8
5.2. Bürkert product filter .....	8
5.3. Ordering chart .....	8

DTS 1000175512 EN Version: N Status: RL (released | freigegeben | valide) printed: 11.05.2026

## 1. General technical data

Product properties	
Dimensions	Further information can be found in chapter "4. Dimensions" on page 4.
Materials	
Wetted	Stainless steel 1.443/316L, special materials on request
Non-wetted	Stainless steel 1.4305/303 or equivalent
Seal	EPDM, PTFE
Surface quality	Wetted surface: RA < Ra 0.76 µm (ASME BPE SF3), other surfaces on request
Performance data	
Operating pressure	DIN DN 08...DN 40: 25 bar DIN DN 50...DN 65: 16 bar DIN DN 80...DN 100: 10 bar ISO DN 08...DN 32: 25 bar ISO DN 40...DN 65: 16 bar ISO DN 80...DN 100: 10 bar ASME DN ¼"...DN 1½": 25 bar ASME DN 2"...DN 3": 16 bar ASME DN 4": 10 bar
Medium data	
Operating medium	Gases or liquids
Approvals and conformities	
Certificate	Material certificate 3.1
Foods and beverages/Hygiene	
FDA	Further information can be found in chapter "2.4. Foods and beverages/Hygiene" on page 3.
USP	Further information can be found in chapter "2.4. Foods and beverages/Hygiene" on page 3.
Environment and installation	
Ambient temperature	- 20...+ 80 °C

## 2. Approvals and conformities

### 2.1. General notes

- The approvals and conformities listed below must be stated when making enquiries. This is the only way to ensure that the product complies with all required specifications.
- Not all available variants can be supplied with the below mentioned approvals or conformities.

### 2.2. Conformity

In accordance with the Declaration of Conformity, the product is compliant with the EU Directives.

### 2.3. Standards

The applied standards which are used to demonstrate compliance with the EU Directives are listed in the EU-Type Examination Certificate and/or the EU Declaration of Conformity.

### 2.4. Foods and beverages/Hygiene

Conformity	Description
FDA	<b>FDA – Code of Federal Regulations</b> The seals made of EPDM and PTFE are compliant with the Code of Federal Regulations published by the FDA (Food and Drug Administration, USA), according to the manufacturer's declaration.
USP	<b>United States Pharmacopeial Convention (USP)</b> The seals made of EPDM and PTFE are biocompatible according to the manufacturer's declaration.

### 3. Materials

#### 3.1. Bürkert resistApp



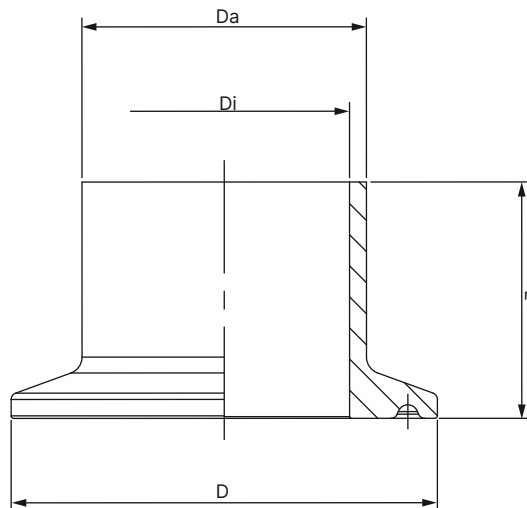
#### Bürkert resistApp – Chemical resistance chart

You want to ensure the reliability and durability of the materials in your individual application case? Verify your combination of media and materials on our website or in our resistApp.

[Start chemical resistance check](#)

### 4. Dimensions

#### 4.1. Clamp ferrule

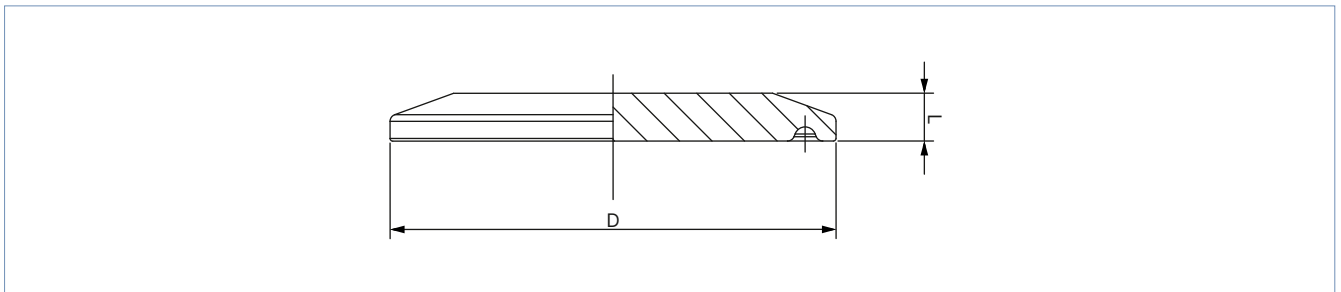


Nominal diameter	D [mm]	Da [mm]	Di [mm]	L [mm]	Article no.
<b>DIN</b>					
DN 08	25	10	8	28.6	736976
DN 10	25	12	10	28.6	736983
DN 10	25	13	10	28.6	743417
DN 15	25	19	16	28.6	746017
DN 10	34	12	10	35	746016
DN 15	50.5	19	16	36	742808
DN 20	34	23	20	28.6	742982
DN 20	50.5	23	20	36	737543
DN 25	50.5	29	26	36	747729
DN 32	50.5	35	32	36	747730
DN 40	50.5	41	38	36	747237
DN 50	64	53	50	36	747731
DN 65	91	70	66	48	747844
DN 80	106	85	81	48	747845
DN 100	119	104	100	48	747846

DTS 1000175512 EN Version: N Status: RL (released | freigegeben | valide) printed: 11.05.2026

Nominal diameter	D	Da	Di	L	Article no.
	[mm]	[mm]	[mm]	[mm]	
<b>ISO</b>					
DN 08	25	13.5	10.3	28.6	736995
DN 10	25	17.2	14	28.6	737026
DN 15	50.5	21.3	18.1	36	747721
DN 20	50.5	26.9	23.7	36	747722
DN 25	50.5	33.7	29.7	36	747723
DN 32	64	42.4	38.4	36	747724
DN 40	64	48.3	44.3	36	747725
DN 50	77.5	60.3	56.3	36	747726
DN 65	91	76.1	72.1	48	747727
DN 80	106	88.9	84.3	48	736906
DN 100	130	114.3	109.7	48	747728
<b>ASME</b>					
DN 1/4"	25	6.35	4.57	28.6	737234
DN 3/8"	25	9.53	7.75	28.6	737238
DN 1/2"	25	12.7	9.4	28.6	737258
DN 3/4"	25	19.05	15.75	28.6	737292
DN 1"	50.5	25.4	22.1	36	737315
DN 1 1/2"	50.5	38.1	34.8	36	742943
DN 2"	64	50.8	47.5	36	737379
DN 2 1/2"	77.5	63.5	60.2	36	737404
DN 3"	91	76.2	72.9	48	747678
DN 4"	119	101.6	97.4	48	737429

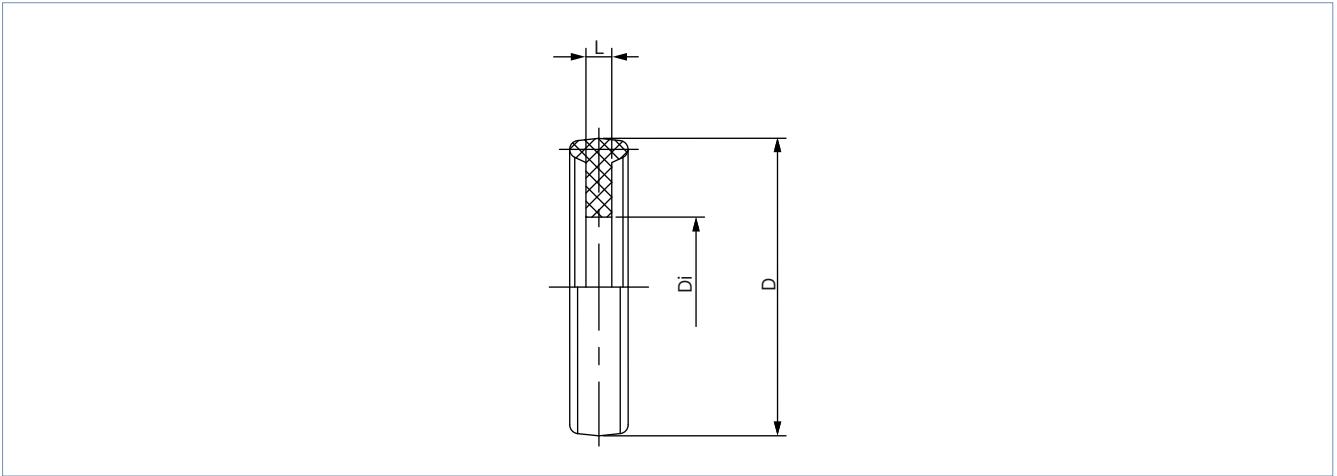
**4.2. Clamp ferrule blind cover**



D	L	Article no.
[mm]	[mm]	
25	4.75	738019
34	6.35	738023
50.5	6.35	738052
64	6.35	738064
77.5	6.35	738068
91	6.35	738072
106	6.35	738076
119	8	738104
130	8	738027

DTS 1000175512 EN Version: N Status: RL (released | freigegeben | valide) printed: 11.05.2026

4.3. Clamp gasket

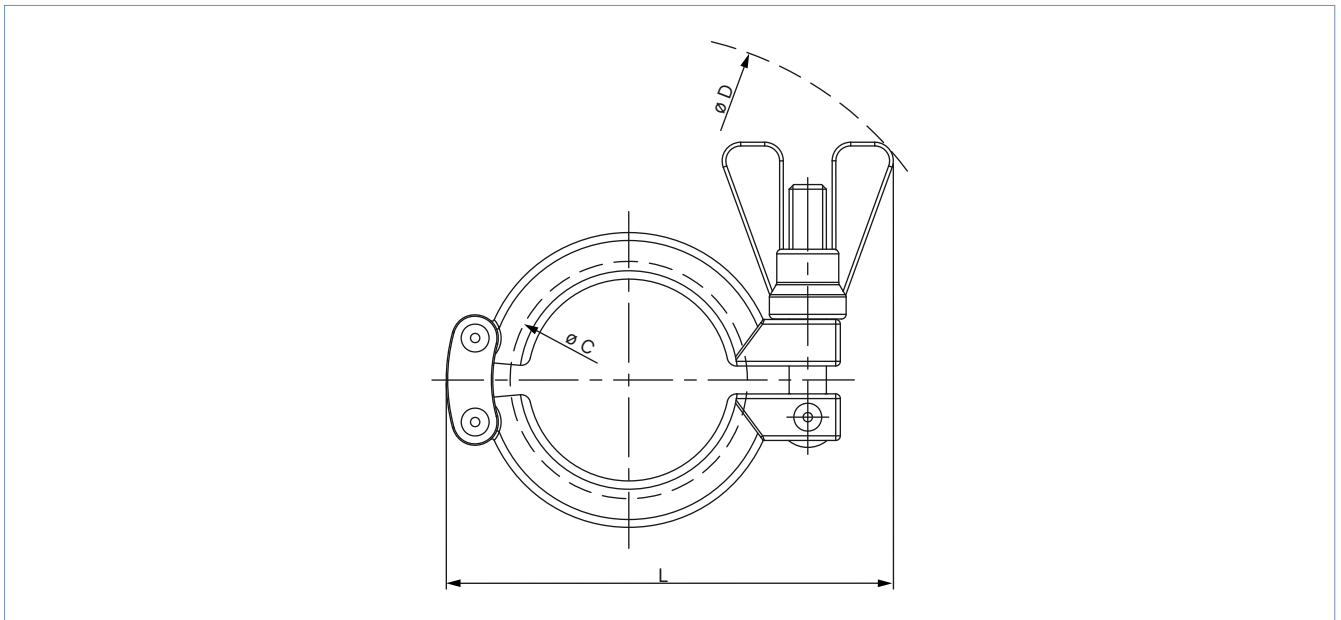


Nominal diameter	D	Di	L	Article no. EPDM	Article no. PTFE
	[mm]	[mm]	[mm]		
<b>DIN</b>					
DN 08	22	8	2	730035	730036
DN 10	22	10	2	730041	730042
DN 15	22	16	2	744319	745964
DN 10	34	10	2	744295	744307
DN 15	34	16	2	743978	743970
DN 20	34	20	2	743964	747711
DN 20	50.5	20	2	730472	730474
DN 25	50.5	26	2	730505	730507
DN 32	50.5	32	2	730556	730558
DN 32	64	32	2	730564	730566
DN 40	50.5	38	2	730581	730583
DN 50	64	50	2	730614	730616
DN 65	91	66	2	730663	730665
DN 80	106	81	2	730686	730688
DN 100	119	100	2	730397	730400
<b>ISO</b>					
DN 08	22	10.3	2	730049	730050
DN 10	22	14	2	730069	730071
DN 08	34	10.3	2	747707	747709
DN 08	50.5	10.3	2	730065	730067
DN 10	34	14	2	730081	747708
DN 10	50.5	14	2	730086	730088
DN 15	34	18.1	2	730107	747710
DN 15	50.5	18.1	2	730112	730114
DN 20	50.5	23.7	2	730134	730136
DN 25	50.5	29.7	2	730155	730157
DN 32	64	38.4	2	730169	730171
DN 40	64	44.3	2	730181	730183
DN 50	77.5	56.3	2	730194	730196
DN 65	91	72.1	2	730206	730208
DN 80	106	84.3	2	730218	730220
DN 100	130	84.3	2	730094	730096

DTS 1000175512 EN Version: N Status: RL (released | freigegeben | valide) printed: 11.05.2026

Nominal diameter	D	Di	L	Article no. EPDM	Article no. PTFE
	[mm]	[mm]	[mm]		
<b>ASME</b>					
DN ¼"	22	4.57	2	730231	730233
DN ⅜"	22	7.75	2	730239	730242
DN ½"	22	9.40	2	730246	730248
DN ¾"	22	15.75	2	730256	730258
DN 1"	50.5	22.1	2	730264	730266
DN 1½"	50.5	34.8	2	730277	730279
DN 2"	64	47.5	2	730289	730291
DN 2½"	77.5	60.2	2	730301	730303
DN 3"	91	72.9	2	730311	730313
DN 4"	119	97.4	2	730322	730324

#### 4.4. Clamp bracket



Nominal diameter	C	D	L	Article no.
	[mm]	[mm]	[mm]	
<b>DIN</b>				
DN 08	25	130	64	731146
DN 10	25	130	64	731146
DN 15	50.5	154	93	731164
DN 20	50.5	154	93	731164
DN 25	50.5	154	93	731164
DN 32	64	180	108	731172
DN 40	64	180	108	731172
DN 50	77.5	200	125	731174
DN 65	91	105	139	731176
DN 80	106	116	144	731178
DN 100	130	240	173	731154
<b>ISO</b>				
DN 08	25	130	64	731146
DN 10	50.5	154	93	731164
DN 15	50.5	154	93	731164
DN 20	50.5	154	93	731164

DTS 1000175512 EN Version: N Status: RL (released | freigegeben | valide) printed: 11.05.2026

Nominal diameter	C	D	L	Article no.
	[mm]	[mm]	[mm]	
DN 25	50.5	154	93	731164
DN 32	64	180	108	731172
DN 40	64	180	108	731172
DN 50	77.5	200	125	731174
DN 65	91	105	139	731176
DN 80	106	116	144	731178
DN 100	144.5	230	161	731152
<b>ASME</b>				
DN 1/4"	25	130	64	731146
DN 3/8"	25	130	64	731146
DN 1/2"	25	130	64	731146
DN 3/4"	25	130	64	731146
DN 1"	50.5	154	93	731164
DN 1 1/2"	50.5	154	93	731164
DN 2"	64	180	108	731172
DN 2 1/2"	77.5	200	125	731174
DN 3"	91	105	139	731176
DN 4"	119	240	171	731144

## 5. Ordering information

### 5.1. Bürkert eShop



#### Bürkert eShop – Easy ordering and quick delivery

You want to find your desired Bürkert product or spare part quickly and order directly? Our online shop is available for you 24/7. Sign up and enjoy all the benefits.

[Order online now](#)

### 5.2. Bürkert product filter



#### Bürkert product filter – Get quickly to the right product

You want to select products comfortably based on your technical requirements? Use the Bürkert product filter and find suitable articles for your application quickly and easily.

[Try out our product filter](#)

### 5.3. Ordering chart

**Note:**

Further information can be found in chapter **“4. Dimensions” on page 4.**