





Clamp connection with welded connection according to DIN 11864-3 and BBS-Sterile contour

- Design according to DIN 11864-3
- All materials in contact with media can be traced
- Part of the BBS modular system



Product variants described in the data sheet may differ from the product presentation and description.

Can be combined with

	Type BBS-03 ▶ Fitting with welded connection according to DIN 11864-1 and BBS sterile contour
	Type BBS-06 ▶ Sterile contour flange connection according to DIN 11864-2 with welded connection
	Type BBS-07 ▶ Sterile contour block flange
	Type BBS-11 ▶ Standard ingold socket

Type description

The sterile contour connection was specifically developed for sterile applications. The O-ring is compressed in a defined manner using a metal stop. The sterile contour clamp connection with welded connection is part of the BBS modular system.

DTS 1000148954 EN Version: R Status: RL (released | freigegeben | validé) printed: 18.12.2024

Table of contents

1. General technical data	3
2. Approvals and conformities	3
2.1. General notes	3
2.2. Conformity	3
2.3. Standards	4
2.4. Foods and beverages/Hygiene	4
3. Materials	4
3.1. Bürkert resistApp	4
4. Dimensions	4
4.1. Aseptic variant according to DIN 11864 - 3	4
Clamp connection	4
Ferrule (female)	5
Ferrule (male)	7
Ferrule blind cover (female)	8
Ferrule blind cover (male)	9
Clamp	10
O-ring	11
4.2. BBS sterile contour	12
Sealing contour	12
Ferrule (female)	13
Ferrule (male)	14
Ferrule blind cover (female)	15
Ferrule blind cover (male)	16
Clamp	17
O-ring	18
5. Ordering information	19
5.1. Bürkert eShop	19
5.2. Bürkert product filter	19
5.3. Ordering chart	19

1. General technical data

Product properties	
Dimensions	Further information can be found in chapter "4. Dimensions" on page 4.
Materials	
Wetted	Stainless steel 1.4435/316L Special materials on request
Non-wetted	Stainless steel 1.4305/303 or equivalent
Seal	EPDM, FEP
Surface quality	Wetted surface: RA < Ra 0.76 µm (ASME BPE SF3), other surfaces on request
Performance data	
Operating pressure	
Aseptic variant	DIN DN 10...DN 40: 40 bar DIN DN 50...DN 100: 25 bar ISO DN 08...DN 25: 40 bar ISO DN 32...DN 80: 25 bar ASME DN ½"...DN 1½": 40 bar ASME DN 2"...DN 4": 25 bar
Sterile orbital variant	0.2 bar abs...16 bar
Medium data	
Operating medium	Gases or liquids
Medium temperature	EPDM seal material: - 40 °C...+ 90 °C, short-term up to + 140 °C FEP seal material: - 60 °C...+ 160 °C, short-term up to + 205 °C
Process/Port connection & communication	
Nominal diameter	
Aseptic variant	DIN DN 08...DN 100 ISO DN 08...DN 100 ASME DN ¼"...DN 4" Customised on request
Clamp variant	DIN DN 10...DN 100 ISO DN 08...DN 80 ASME DN ½"...DN 4"
Port connection	Standard clamp
Approvals and conformities	
Certificate	Material certificate 3.1
Foods and beverages/Hygiene	
FDA	Further information can be found in chapter "2.4. Foods and beverages/Hygiene" on page 4.
USP	Further information can be found in chapter "2.4. Foods and beverages/Hygiene" on page 4.
Environment and installation	
Ambient temperature	- 20...+ 80 °C

2. Approvals and conformities

2.1. General notes

- The approvals and conformities listed below must be stated when making enquiries. This is the only way to ensure that the product complies with all required specifications.
- Not all available variants can be supplied with the below mentioned approvals or conformities.

2.2. Conformity

In accordance with the Declaration of Conformity, the product is compliant with the EU Directives.

2.3. Standards

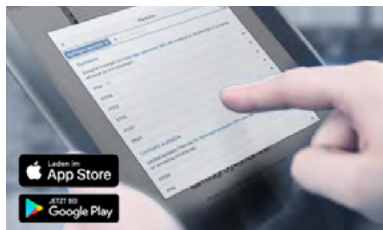
The applied standards which are used to demonstrate compliance with the EU Directives are listed in the EU-Type Examination Certificate and/or the EU Declaration of Conformity.

2.4. Foods and beverages/Hygiene

Conformity	Description
FDA	FDA – Code of Federal Regulations The seals made of EPDM and FEP are compliant with the Code of Federal Regulations published by the FDA (Food and Drug Administration, USA), according to the manufacturer's declaration.
USP	United States Pharmacopeial Convention (USP) The seals made of EPDM and FEP are biocompatible according to the manufacturer's declaration.

3. Materials

3.1. Bürkert resistApp



Bürkert resistApp – Chemical resistance chart

You want to ensure the reliability and durability of the materials in your individual application case? Verify your combination of media and materials on our website or in our resistApp.

[Start chemical resistance check](#)

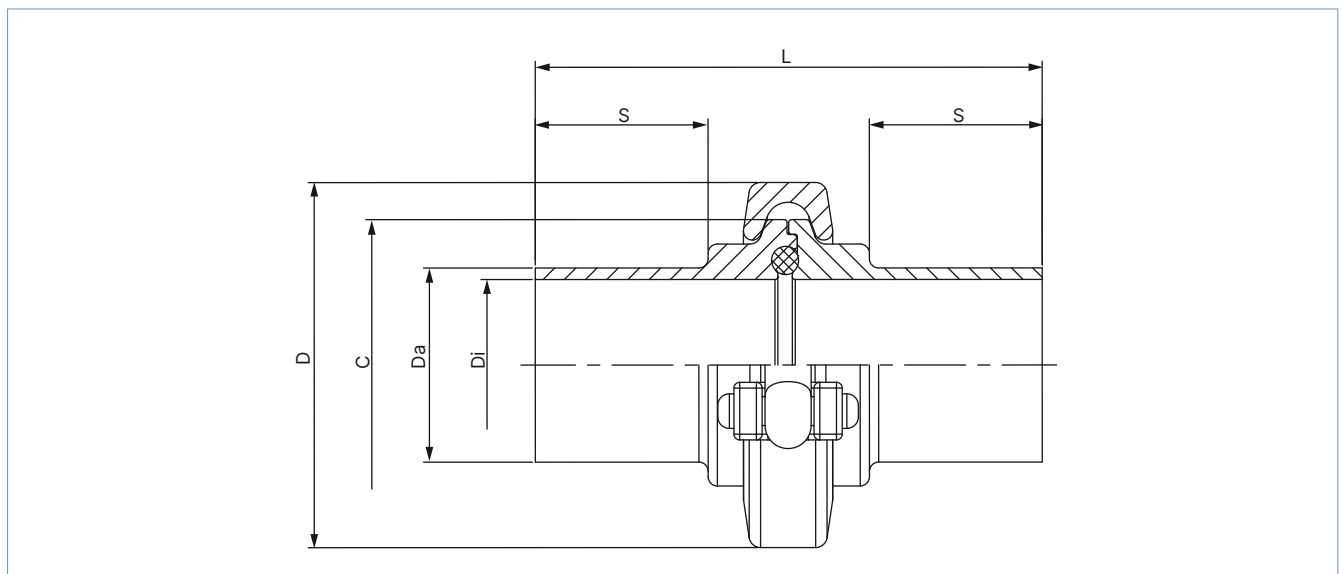
4. Dimensions

4.1. Aseptic variant according to DIN 11864 - 3

Clamp connection

Note:

According to DIN 11864 - 3

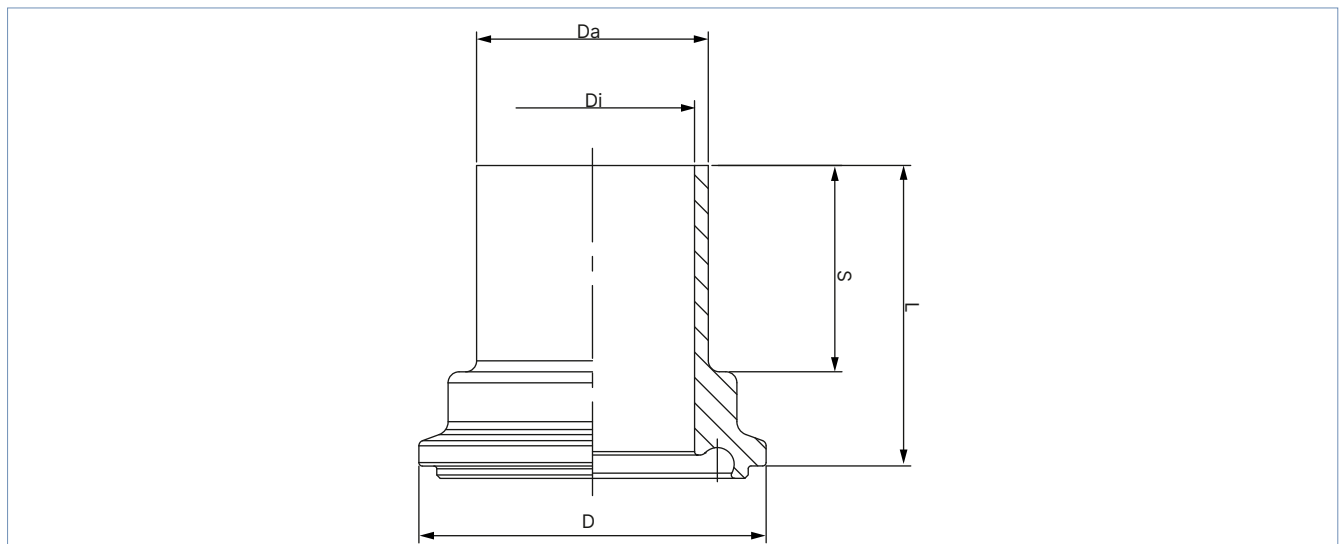


Nominal diameter	D	C	Da	Di	L	S	Article no. EPDM	Article no. FEP
	[mm]	[mm]	[mm]	[mm]	[mm]	[mm]		
DIN								
DN 10	46	34	12	10	76	26	730761	730763
DN 10	46	34	13	10	76	26	743410	743411
DN 15	46	34	19	16	76	26	730777	730779
DN 20	66.5	50.5	23	20	76	26	730785	730787
DN 25	66.5	50.5	29	26	77	28	730793	730795
DN 32	66.5	50.5	35	32	88	30	730802	730804
DN 40	82	64	41	38	88	30	730810	730812
DN 50	93	77.5	53	50	89	30	730818	730820
DN 65	102	91	70	66	113	40	730826	730828
DN 80	116	106	85	81	117	40	730834	730836
DN 100	141	130	104	100	120	40	730769	730771
ISO								
DN 08	46	34	13.5	10.3	76	26	730645	730646
DN 10	46	34	17.2	14	76	26	730654	730656
DN 15	46	34	21.3	18.1	78	26	730674	730676
DN 20	66.5	50.5	26.9	23.7	78	30	730687	730689
DN 25	66.5	50.5	33.7	29.7	88	30	730697	730699
DN 32	82	64	42.4	38.4	88	30	730709	730710
DN 40	82	64	48.3	44.3	90	30	730716	730718
DN 50	102	91	60.3	56.3	114	40	730726	730728
DN 65	116	106.00	76.1	72.1	117	40	730734	730736
DN 80	131	119.00	88.9	84.3	122	40	730742	730744
ASME								
DN 1/2"	46	34	12.7	9.4	76	26	730580	730582
DN 3/4"	46	34	19.05	15.75	76	26	730588	735590
DN 1"	66.5	50.5	25.4	22.1	77	28	730596	730598
DN 1 1/2"	82	64	38.1	34.8	88	30	730603	730605
DN 2"	93	77.5	50.8	47.5	89	30	730611	730613
DN 2 1/2"	102	91	63.5	60.2	115	40	730619	730621
DN 3"	116	106	76.2	72.9	117	40	730627	730629
DN 4"	141	130	101.6	97.38	119	40	730635	730637

Ferrule (female)

Note:

According to DIN 11864 - 3



DTS 1000148954 EN Version: R Status: RL (released | freigegeben | validé) printed: 18.12.2024

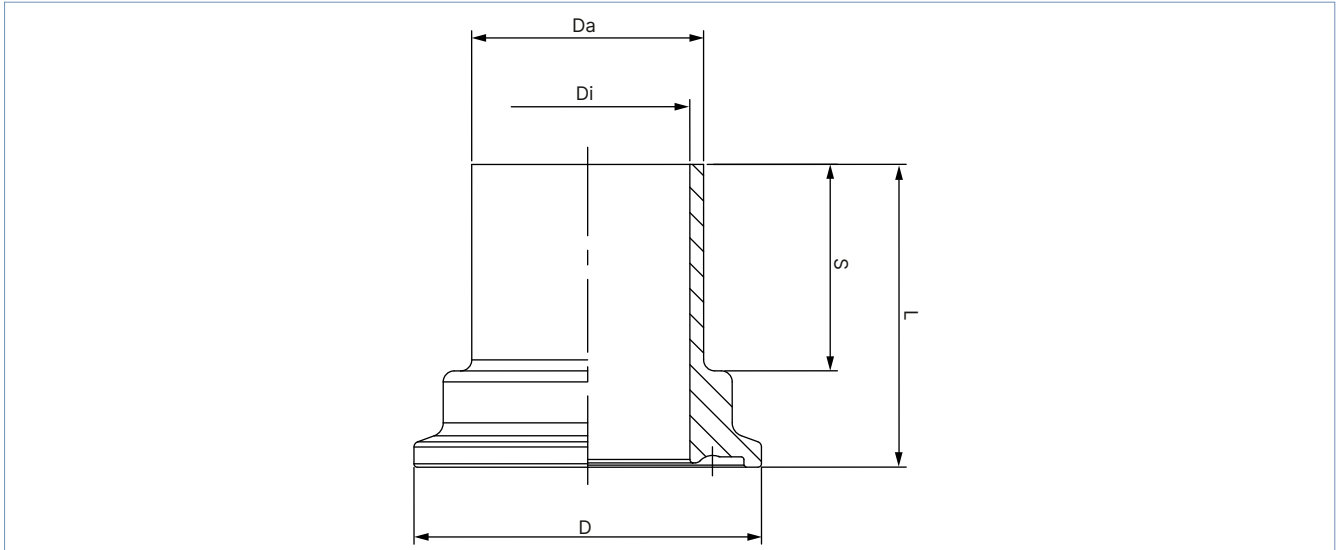
Nominal diameter	D	Da	Di	L	S	Article no.
	[mm]	[mm]	[mm]	[mm]	[mm]	
DIN						
DN 10	34	12	10	37.7	26	730362
DN 10	34	13	10	37.7	26	743547
DN 15	34	19	16	37.7	26	730370
DN 20	50.5	23	20	37.7	26	742803
DN 25	50.5	29	26	38.2	28	730376
DN 32	50.5	35	32	43.7	30	743548
DN 40	64	41	38	44.2	30	730384
DN 50	77.5	53	50	45.2	30	730388
DN 65	91	70	66	56.2	40	744393
DN 80	106	85	81	58.2	40	730394
DN 100	130	104	100	59.7	40	744392
ISO						
DN 08	34	13.5	10.3	37.7	26	730292
DN 10	34	17.2	14	37.7	26	730296
DN 15	34	21.3	18.1	38.7	26	730306
DN 20	50.5	26.9	23.7	38.2	30	730316
DN 25	50.5	33.7	29.7	43.7	30	730320
DN 32	64	42.4	38.4	43.7	30	730329
DN 40	64	48.3	44.3	44.7	30	730337
DN 50	91	60.3	56.3	56.7	40	730343
DN 65	106	76.10	72.1	58.2	40	730347
DN 80	119	88.90	84.3	60.7	40	730351
ASME						
DN 1/2"	34	12.7	9.4	37.7	26	730265
DN 3/4"	34	19.05	15.75	37.7	26	730269
DN 1"	50.5	25.4	22.1	38.2	28	730272
DN 1 1/2"	64	38.1	34.8	43.7	30	730276
DN 2"	77.5	50.8	47.5	44.2	30	730280
DN 2 1/2"	91	63.5	60.2	57.2	40	730284
DN 3"	106	76.2	72.9	58.2	40	730288
DN 4"	130	101.6	97.38	59.2	40	730290

DTS 1000148954 EN Version: R Status: RL (released | freigegeben | validé) printed: 18.12.2024

Ferrule (male)

Note:

According to DIN 11864 - 3



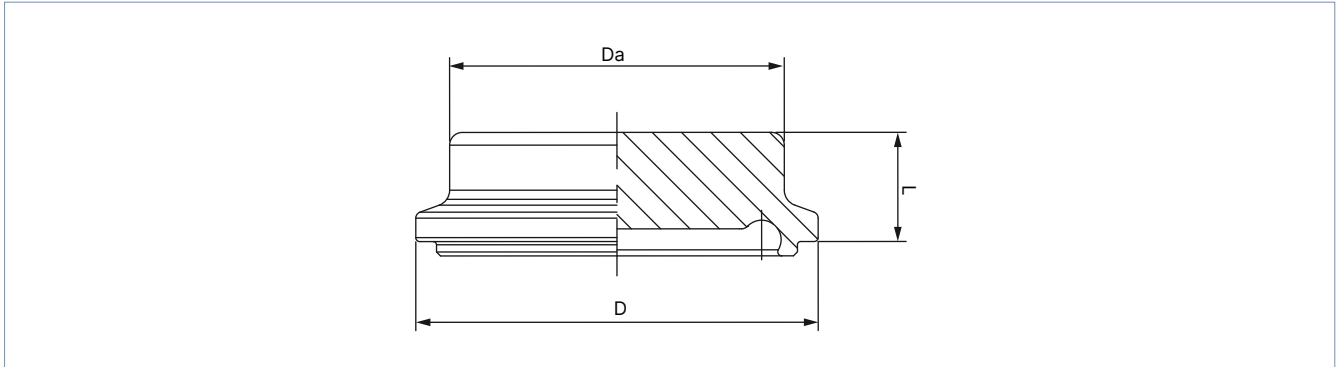
Nominal diameter	D	Da	Di	L	S	Article no.
	[mm]	[mm]	[mm]	[mm]	[mm]	
DIN						
DN 10	34	12	10	38	26	731026
DN 10	34	13	10	38	26	744397
DN 15	34	19	16	38	26	731034
DN 20	50.5	23	20	38	26	743960
DN 25	50.5	29	26	38.5	28	731040
DN 32	50.5	35	32	44	30	731046
DN 40	64	41	38	44	30	731049
DN 50	77.5	53	50	44.5	30	731053
DN 65	91	70	66	56.5	40	731057
DN 80	106	85	81	58.5	40	731061
DN 100	130	104	100	60	40	744399
ISO						
DN 08	34	13.5	10.3	38	26	730951
DN 10	34	17.2	14	38	26	730957
DN 15	34	21.3	18.1	39	26	730968
DN 20	50.5	26.9	23.7	39	30	730976
DN 25	50.5	33.7	29.7	44	30	730984
DN 32	64	42.4	38.4	44	30	730994
DN 40	64	48.3	44.3	45	30	731000
DN 50	91	60.3	56.3	57	40	731007
DN 65	106	76.1	72.1	58.5	40	731010
DN 80	119	88.9	84.3	61	40	731014
ASME						
DN 1/2"	34	12.7	9.4	38	26	730922
DN 3/4"	34	19.05	15.75	38	26	730925
DN 1"	50.5	25.4	22.1	38.5	28	730929
DN 1 1/2"	64	38.1	34.8	44	30	730933
DN 2"	77.5	50.8	47.5	44.5	30	730937
DN 2 1/2"	91	63.5	60.2	57.5	40	730941
DN 3"	106	76.2	72.9	58.5	40	730945
DN 4"	130	101.6	97.38	59.5	40	730947

DTS 1000148954 EN Version: R Status: RL (released | freigegeben | validé) printed: 18.12.2024

Ferrule blind cover (female)

Note:

According to DIN 11864 - 3



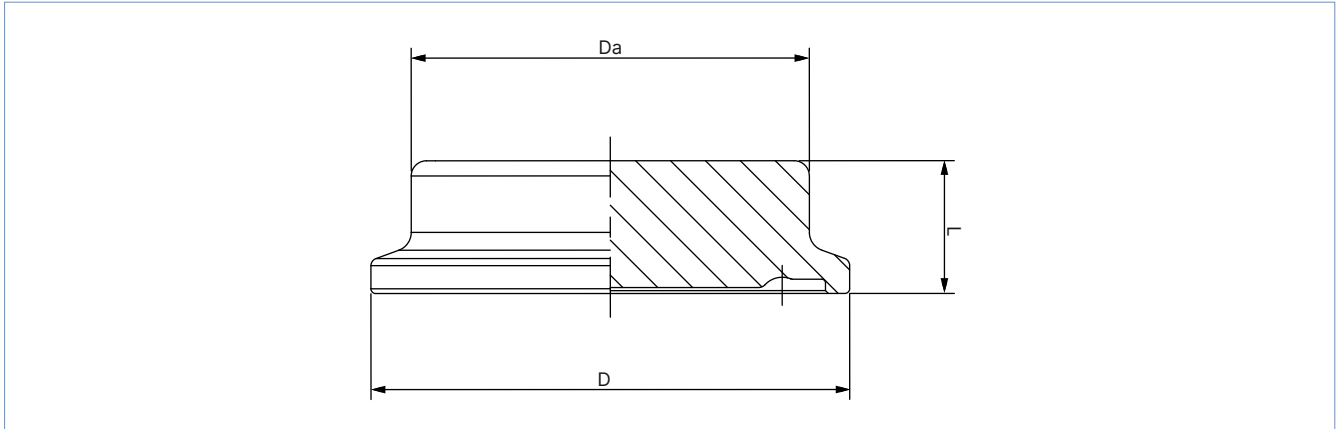
Nominal diameter	D [mm]	Da [mm]	L [mm]	Article no.
DIN				
DN 10	34	25	11.7	731329 ↗
DN 15	34	25	11.7	731331 ↗
DN 20	50.5	42	11.7	744456 ↗
DN 25	50.5	42	10.2	731333 ↗
DN 32	50.5	42	13.7	744424 ↗
DN 40	64	54	14.2	744426 ↗
DN 50	77.5	62	15.2	731337 ↗
DN 65	91	78	16.2	744429 ↗
DN 80	106	93	18.2	744431 ↗
DN 100	130	115	19.7	744419 ↗
ISO				
DN 08	34	25	11.7	731278 ↗
DN 10	34	25	11.7	731282 ↗
DN 15	34	25	12.7	731290 ↗
DN 20	50.5	42	8.2	731294 ↗
DN 25	50.5	42	13.7	731300 ↗
DN 32	64	54	13.7	731303 ↗
DN 40	64	54	14.7	731309 ↗
DN 50	91	78	16.7	731313 ↗
DN 65	106	93	18.2	731317 ↗
DN 80	119	104	20.7	731321 ↗
ASME				
DN 1/2"	34	25	11.7	744407 ↗
DN 3/4"	34	25	11.7	744408 ↗
DN 1"	50.5	42	10.2	744409 ↗
DN 1 1/2"	64	54	13.7	744410 ↗
DN 2"	77.5	62	14.2	744411 ↗
DN 2 1/2"	91	78	17.2	744412 ↗
DN 3"	106	93	18.2	744413 ↗
DN 4"	130	114.2	19.2	744414 ↗

DTS 1000148954 EN Version: R Status: RL (released | freigegeben | validé) printed: 18.12.2024

Ferrule blind cover (male)

Note:

According to DIN 11864 - 3



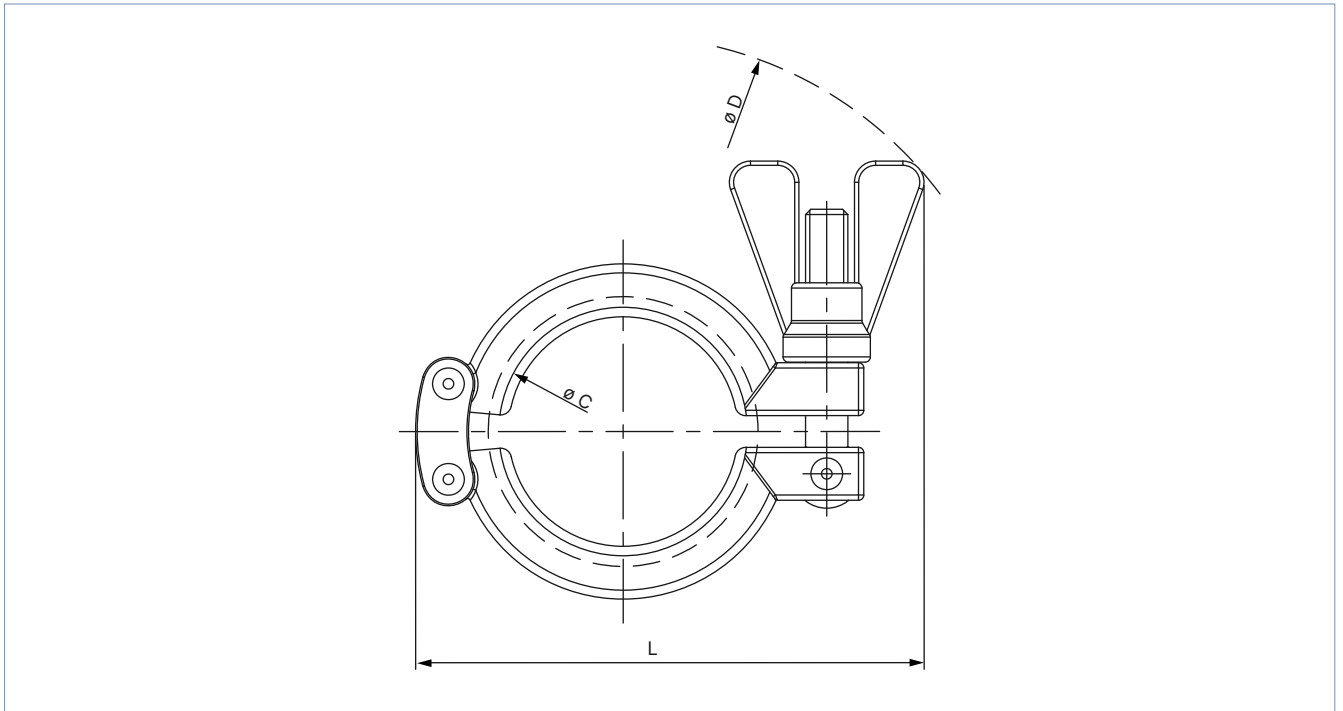
Nominal diameter	D [mm]	Da [mm]	L [mm]	Article no.
DIN				
DN 10	34	25	12	744452
DN 15	34	25	12	744454
DN 20	50.5	42	12	744456
DN 25	50.5	42	10.5	743849
DN 32	50.5	42	14	743850
DN 40	64	54	14	731403
DN 50	77.5	62	14.5	744460
DN 65	91	78	16.5	744462
DN 80	106	93	18.5	744464
DN 100	130	115	20	744453
ISO				
DN 08	34	25	12	731349
DN 10	34	25	12	731352
DN 15	34	25	13	731362
DN 20	50.5	42	9	731366
DN 25	50.5	42	14	731372
DN 32	64	54	14	731376
DN 40	64	54	15	731382
DN 50	91	78	17	731386
DN 65	106	93	18.5	731390
DN 80	119	104	21	731394
ASME				
DN 1/2"	34	25	12	744439
DN 3/4"	34	25	12	744440
DN 1"	50.5	42	10.5	744441
DN 1 1/2"	64	54	14	744442
DN 2"	77.5	62	14.5	744443
DN 2 1/2"	91	78	17.5	744444
DN 3"	106	93	18.5	744446

DTS 1000148954 EN Version: R Status: RL (released | freigegeben | validé) printed: 18.12.2024

Clamp

Note:

- According to DIN 11864 - 3
- Either with wind nut or with hexagon nut, as requested



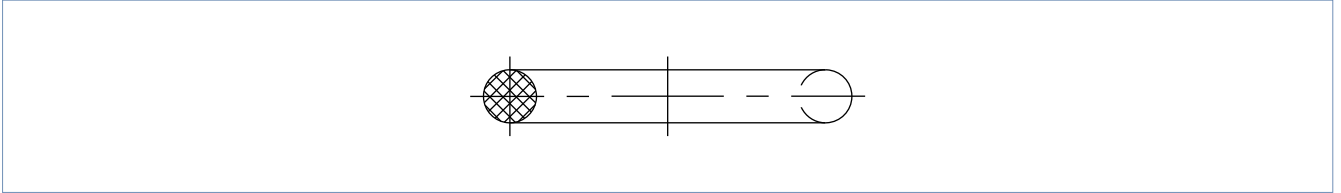
C [mm]	D [mm]	L [mm]	Article no.	Article no.
			variant with wind nut	variant with hexagon nut
25	130	64	731146	749162
34	130	68	731150	749163
50.5	154	93	731164	749164
64	180	108	731172	749165
77.5	190	125	731174	749166
91	200	139	731176	749167
106	220	144	731178	749168
119	240	171	731144	749169
130	240	171	731154	749170

DTS 1000148954 EN Version: R Status: RL (released | freigegeben | validé) printed: 18.12.2024

O-ring

Note:

According to DIN 11864 - 3

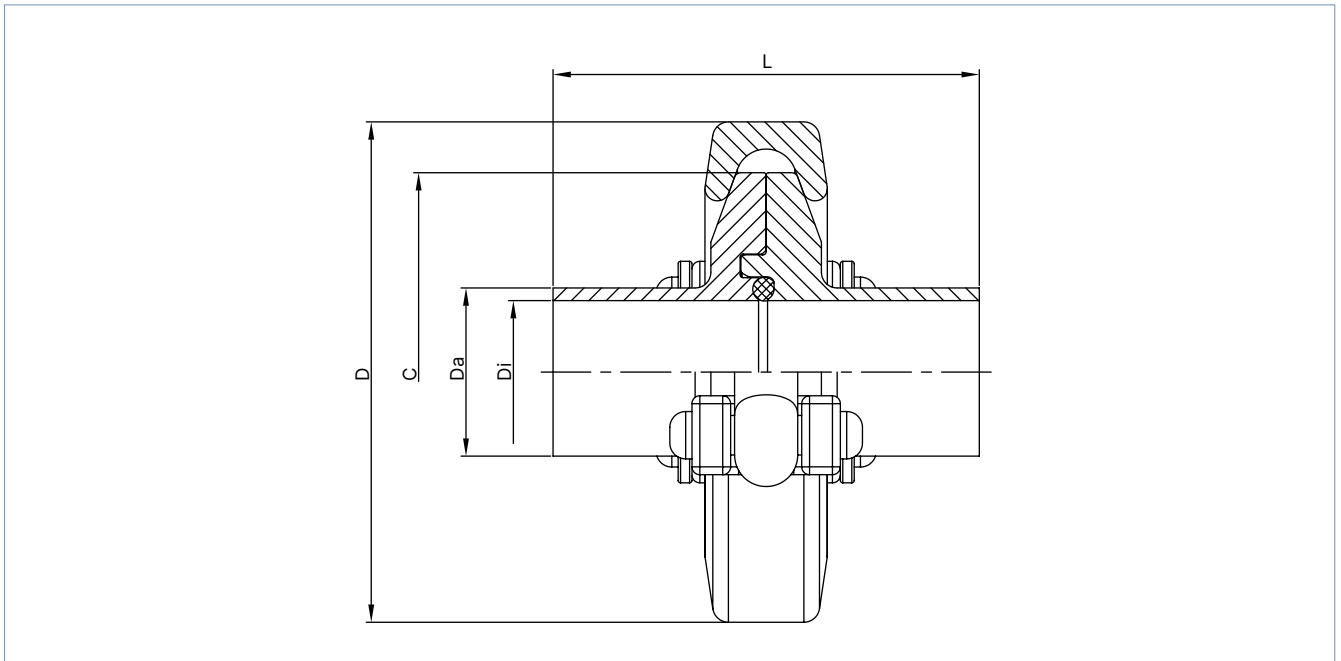


Nominal diameter	Article no. EPDM	Article no. FEP
DIN		
DN 10	730383	730385
DN 15	730435	730437
DN 20	730480	730483
DN 25	730515	730517
DN 32	730569	730566
DN 40	730593	730591
DN 50	730624	730626
DN 65	730655	730657
DN 80	730692	730694
DN 100	730406	730408
ISO		
DN 08	730993	730995
DN 10	731021	731023
DN 15	731077	731079
DN 20	731118	731120
DN 25	731157	731159
DN 32	731202	731204
DN 40	731232	731234
DN 50	731271	731273
DN 65	731299	731302
DN 80	731324	731326
ASME		
DN 1/2"	730788	730790
DN 3/4"	730803	730805
DN 1"	730825	730827
DN 1 1/2"	730855	730857
DN 2"	730878	730880
DN 2 1/2"	730903	730905
DN 3"	730924	730926
DN 4"	730946	730948

DTS 1000148954 EN Version: R Status: RL (released | freigegeben | validé) printed: 18.12.2024

4.2. BBS sterile contour

Sealing contour

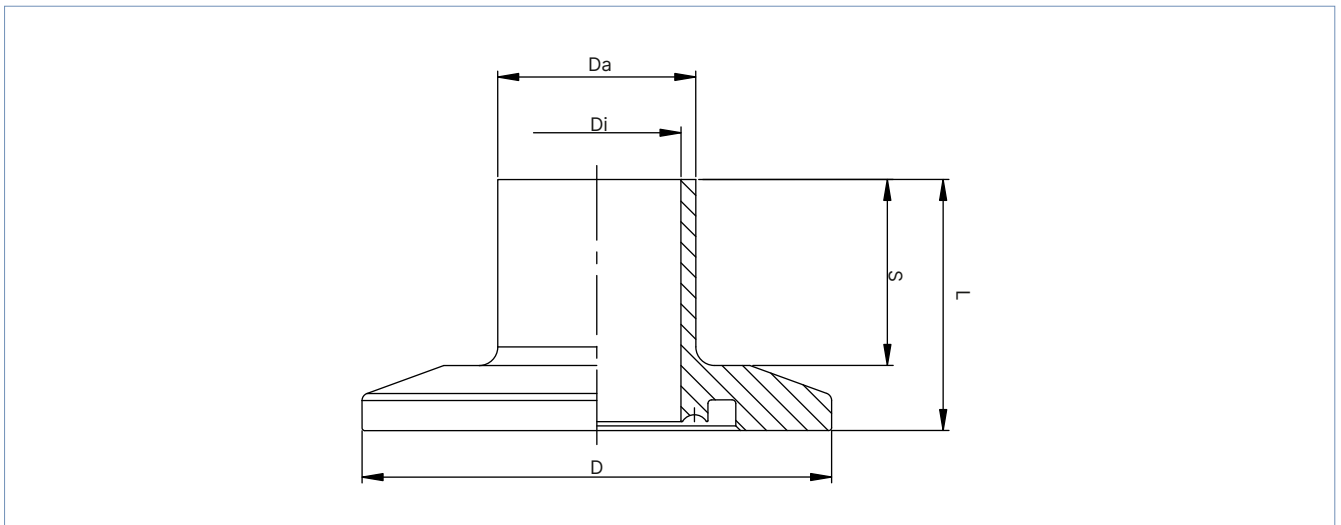


Nominal diameter	C [mm]	D [mm]	Da [mm]	Di [mm]	L [mm]	Article no. EPDM	Article no. FEP
DIN							
DN 08	25	41	10	8	54	730757	730759
DN 10	25	41	12	10	54	730765	730767
DN 10	25	41	13	10	54	744384	744385
DN 15	50.5	55	19	16	54	730781	730783
DN 20	50.5	55	23	20	54	730789	730791
DN 25	50.5	72	29	26	54	730799	730800
DN 32	64	87	35	32	60	730806	730808
DN 40	64	87	41	38	60	730814	730816
DN 50	77.5	99	53	50	60	730822	730824
DN 65	91	113	70	66	60	730830	730832
DN 80	106	127	85	81	60	730838	730840
DN 100	130	154	104	100	60	730773	730775
ISO							
DN 08	25	41	13.5	10.3	54	730648	730650
DN 10	50.5	41	17.2	14	54	730658	730660
DN 15	50.5	72	21.3	18.1	54	730679	730683
DN 20	50.5	72	26.9	23.7	54	730693	730695
DN 25	50.5	72	33.7	29.7	54	730703	730707
DN 32	64	87	42.4	38.4	60	730712	730714
DN 40	64	87	48.3	44.3	60	730722	730724
DN 50	77.5	99	60.3	56.3	60	730730	730732
DN 65	91	113	76.1	72.1	60	730738	730740
DN 80	106,	127	88.9	84.3	60	730748	744383
DN 100	144.5	169	114.3	109.7	60	730666	730668
ASME							
DN ¼"	25	41	6.35	4.57	54	730576	730578
DN ⅜"	25	41	9.53	7.75	54	743032	743033
DN ½"	25	41	12.7	9.4	54	730584	730586
DN ¾"	25	41	19.05	15.75	54	730592	730594

DTS 1000148954 EN Version: R Status: RL (released | freigegeben | validé) printed: 18.12.2024

Nominal diameter	C [mm]	D [mm]	Da [mm]	Di [mm]	L [mm]	Article no. EPDM	Article no. FEP
DN 1"	50.5	72	25.4	22.1	54	730600	730602
DN 1½"	50.5	72	38.1	34.8	54	730607	730609
DN 2"	64	87	50.8	47.5	54	730615	730617
DN 2½"	77.5	99	63.5	60.2	54	730623	730625
DN 3"	91	113	76.2	72.9	60	730631	730633
DN 4"	119	140	101.6	97.38	60	730639	730641

Ferrule (female)

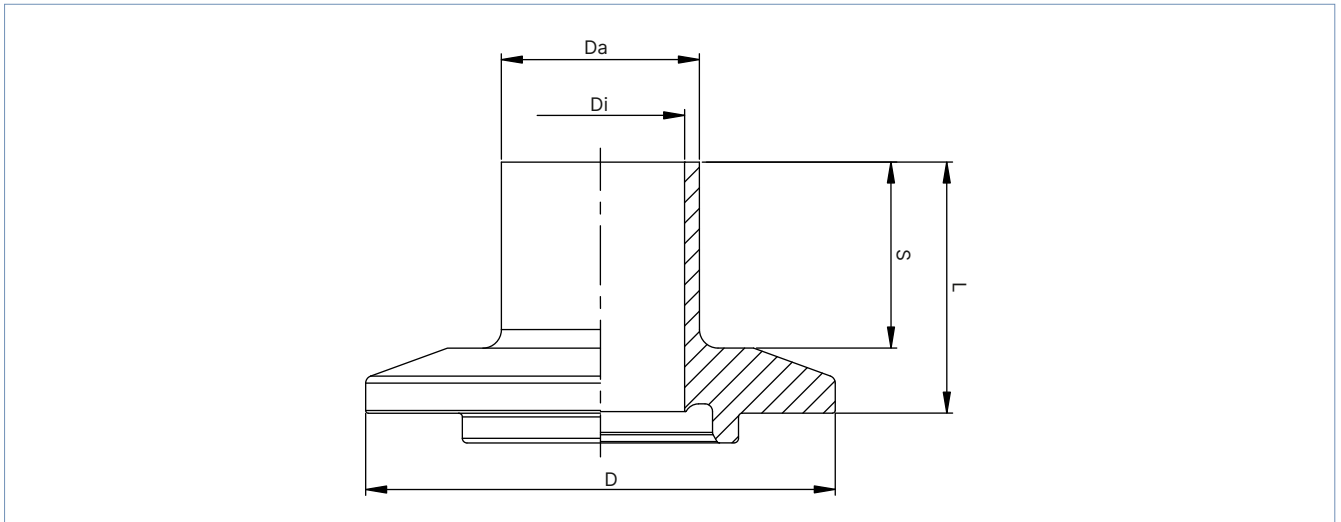


Nominal diameter	D [mm]	Da [mm]	Di [mm]	L [mm]	S [mm]	Article no.
DIN						
DN 08	25	10	8	27	18	731024
DN 10	25	12	10	27	18	731030
DN 10	25	13	10	27	18	748225
DN 15	50.5	19	16	27	18	731034
DN 20	50.5	23	20	27	18	731038
DN 25	50.5	29	26	27	18	731044
DN 32	64	35	32	30	18	731047
DN 40	64	41	32	30	21	731051
DN 50	77.5	53	50	30	21	731055
DN 65	91	70	66	30	21	731059
DN 80	106	85	81	30	20	731063
DN 100	130	104	100	30	20	731032
ISO						
DN 08	25	13.5	10.3	27	18	730953
DN 10	50.5	17.2	14	27	20	730959
DN 15	50.5	21.3	18.1	27	20	730972
DN 20	50.5	26.9	23.7	27	20	730980
DN 25	50.5	33.7	29.7	27	18	730992
DN 32	64	42.4	38.4	30	20	730996
DN 40	64	48.3	44.3	30	21	731005
DN 50	77.5	60.3	56.3	30	21	731008
DN 65	91	76.1	72.1	30	21	731012
DN 80	106	88.9	84.3	30	20	731018
DN 100	144.5	114.3	109.7	30	20	730962

DTS 1000148954 EN Version: R Status: RL (released | freigegeben | valide) printed: 18.12.2024

Nominal diameter	D	Da	Di	L	S	Article no.
	[mm]	[mm]	[mm]	[mm]	[mm]	
ASME						
DN ¼"	25	6.35	4.57	27	18	730920
DN ⅜"	25	9.53	7.75	27	18	743697
DN ½"	25	12.7	9.4	27	18	730923
DN ¾"	25	19.05	15.75	27	18	730927
DN 1"	50.5	25.4	22.1	27	18	730931
DN 1½"	50.5	38.1	34.8	27	18	730935
DN 2"	64	50.8	47.5	27	18	730939
DN 2½"	77.5	63.5	60.2	27	18	730943
DN 3"	91	76.2	72.9	30	21	744557
DN 4"	119	101.6	97.38	30	21	744396

Ferrule (male)

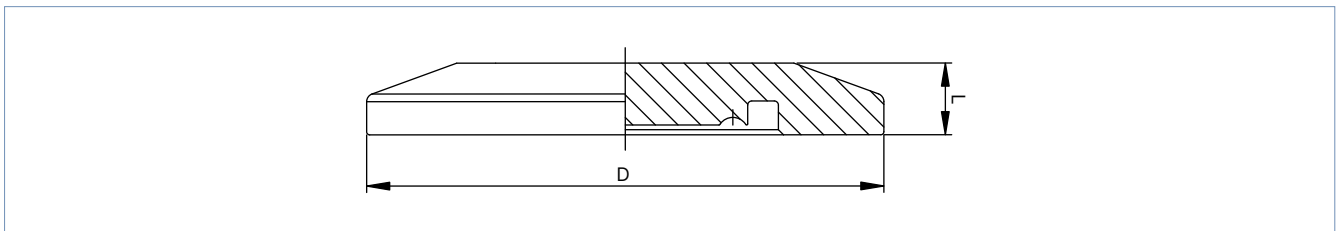


Nominal diameter	D	Da	Di	L	S	Article no.
	[mm]	[mm]	[mm]	[mm]	[mm]	
DIN						
DN 08	25	10	8	27	18	730360
DN 10	25	12	10	27	18	730366
DN 10	25	13	10	27	18	744391
DN 15	50.5	19	16	27	18	730372
DN 20	50.5	23	20	27	18	730374
DN 25	50.5	29	26	27	18	730380
DN 32	64	35	32	30	18	730382
DN 40	64	41	32	30	21	730386
DN 50	77.5	53	50	30	21	730390
DN 65	91	70	66	30	21	730392
DN 80	106	85	81	30	20	730396
DN 100	130	104	100	30	20	730368
ISO						
DN 08	25	13.5	10.3	27	18	730294
DN 10	50.5	17.2	14	27	20	730298
DN 15	50.5	21.3	18.1	27	20	730310
DN 20	50.5	26.9	23.7	27	20	730318
DN 25	50.5	33.7	29.7	27	18	730325
DN 32	64	42.4	38.4	30	20	730331
DN 40	64	48.3	44.3	30	21	730341

DTS 1000148954 EN Version: R Status: RL (released | freigegeben | valide) printed: 18.12.2024

Nominal diameter	D	Da	Di	L	S	Article no.
	[mm]	[mm]	[mm]	[mm]	[mm]	
DN 50	77.5	60.3	56.3	30	21	730345
DN 65	91	76.1	42.1	30	21	730349
DN 80	106	88.9	84.3	30	20	730355
DN 100	144.5	114.3	109.7	30	20	730302
ASME						
DN ¼"	25	6.35	4.57	27	18	730263
DN ⅜"	25	9.53	7.75	27	18	743696
DN ½"	25	12.7	9.4	27	18	730267
DN ¾"	25	19.05	15.75	27	18	730271
DN 1"	50.5	25.4	22.1	27	18	730274
DN 1½"	50.5	38.1	34.8	27	18	730278
DN 2"	64	50.8	47.5	27	18	730282
DN 2½"	77.5	63.5	60.2	27	18	730286
DN 3"	91	76.2	72.9	30	21	744525
DN 4"	119	101.6	97.38	30	21	744390

Ferrule blind cover (female)

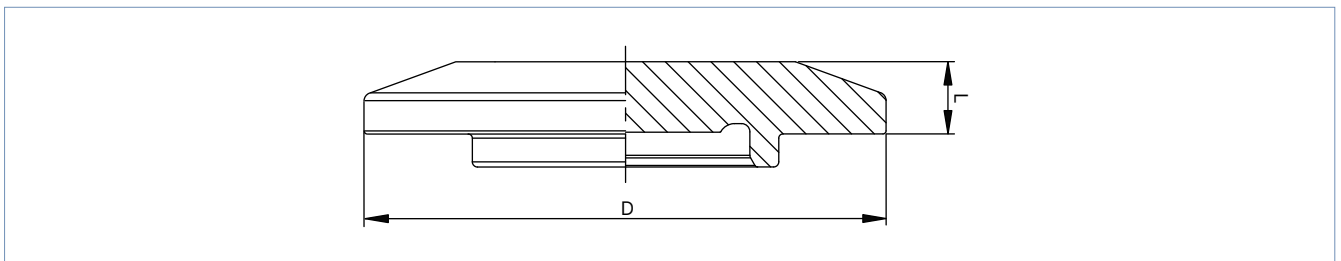


Nominal diameter	D	L	Article no.
	[mm]	[mm]	
DIN			
DN 08	25	6	731398
DN 10	25	7	731399
DN 15	50.5	7	744455
DN 20	50.5	7	744457
DN 25	50.5	7	731401
DN 32	64	10	744458
DN 40	64	10	744459
DN 50	77.5	10	744461
DN 65	91	10	744463
DN 80	106	10	744465
DN 100	130	10	744643
ISO			
DN 08	25	6	731351
DN 10	50.5	7	731354
DN 15	50.5	7	731364
DN 20	50.5	7	731368
DN 25	50.5	7	731374
DN 32	64	10	731378
DN 40	64	10	731384
DN 50	77.5	10	731388
DN 65	91	10	731392
DN 80	106	10	731395
DN 100	144.5	10	731358
ASME			
DN ¼"	25	6	743700

DTS 1000148954 EN Version: R Status: RL (released | freigegeben | valide) printed: 18.12.2024

Nominal diameter	D	L	Article no.
	[mm]	[mm]	
DN 3/8"	25	6	743699
DN 1/2"	25	6	743698
DN 3/4"	25	6	731345
DN 1"	50.5	7	743866
DN 1 1/2"	50.5	7	731347
DN 2"	64	10	743867
DN 2 1/2"	77.5	10	744445
DN 3"	91	10	744447
DN 4"	119	10	744449

Ferrule blind cover (male)



Nominal diameter	D	L	Article no.
	[mm]	[mm]	
DIN			
DN 08	25	6.2	731327
DN 10	25	6.2	744418
DN 15	50.5	6.2	744421
DN 20	50.5	6.2	744423
DN 25	50.5	6.2	731335
DN 32	64	6.2	744425
DN 40	64	6.2	744427
DN 50	77.5	6.2	744428
DN 65	91	10	744430
DN 80	106	10	744432
DN 100	130	10	744420
ISO			
DN 08	25	6.2	731280
DN 10	50.5	6.2	731284
DN 15	50.5	6.2	731292
DN 20	50.5	6.2	731296
DN 25	50.5	6.2	731301
DN 32	64	6.2	731305
DN 40	64	6.2	731311
DN 50	77.5	6.2	731315
DN 65	91	10	731319
DN 80	106	10	731323
DN 100	144.5	10	744416
ASME			
DN 1/4"	25	6.2	731262
DN 3/8"	25	6.2	744406
DN 1/2"	25	6.2	731264
DN 3/4"	25	6.2	731266
DN 1"	50.5	6.2	731268
DN 1 1/2"	50.5	6.2	731270

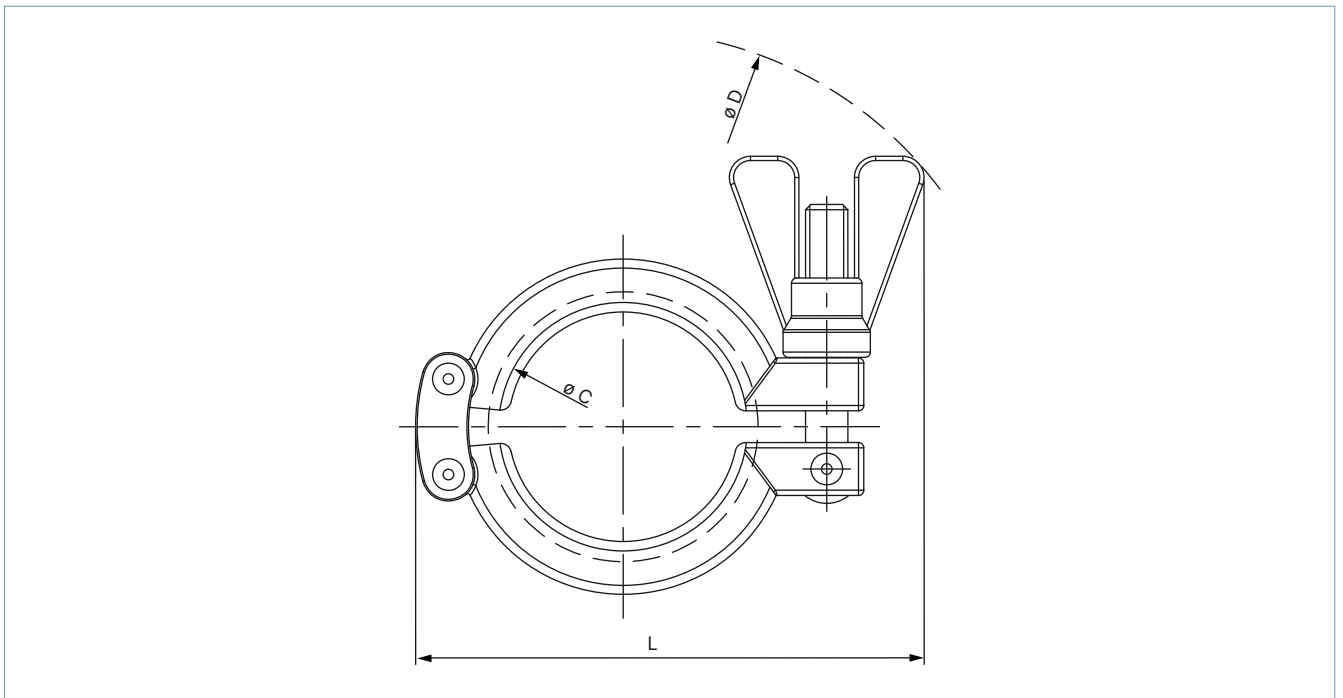
DTS 1000148954 EN Version: R Status: RL (released | freigegeben | valide) printed: 18.12.2024

Nominal diameter	D	L	Article no.
	[mm]	[mm]	
DN 2"	64	6.2	731272
DN 2½"	77.5	6.2	731274
DN 3"	91	10	731276
DN 4"	119	10	744415

Clamp

Note:

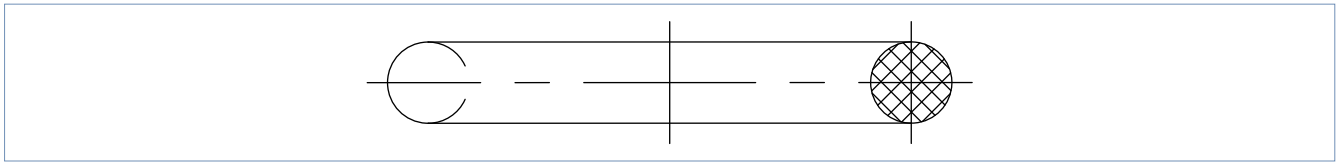
Either with wind nut or with hexagon nut, as requested



C	D	L	Article no.	Article no.
[mm]	[mm]	[mm]	variant with wind nut	variant with hexagon nut
25	130	64	731146	749162
34	130	68	731150	749163
50.5	154	93	731164	749164
64	180	108	731172	749165
77.5	190	125	731174	749166
91	200	139	731176	749167
106	220	144	731178	749168
119	240	171	731144	749169
130	240	171	731154	749170

DTS 1000148954 EN Version: R Status: RL (released | freigegeben | valide) printed: 18.12.2024

O-ring



Nominal diameter	Article no. EPDM	Article no. FEP
DIN		
DN 08	730356	730358
DN 10	730369	730371
DN 15	730412	730414
DN 20	730460	730462
DN 25	730497	730499
DN 32	730546	730548
DN 40	730573	730575
DN 50	730606	730608
DN 65	730647	730649
DN 80	730678	730680
DN 100	730389	730391
ISO		
DN 08	730983	on request
DN 10	731004	731006
DN 15	731058	731060
DN 20	731101	731103
DN 25	731141	731143
DN 32	731187	731189
DN 40	731216	731218
DN 50	731267	731269
DN 65	731287	731289
DN 80	731310	731312
DN 100	731031	731033
ASME		
DN 1/4"	730750	730752
DN 3/8"	730356	730358
DN 1/2"	730766	730768
DN 3/4"	730792	730794
DN 1"	730811	730813
DN 1 1/2"	730837	730839
DN 2"	730867	730870
DN 2 1/2"	730890	730892
DN 3"	730913	730915
DN 4"	730938	730940

DTS 1000148954 EN Version: R Status: RL (released | freigegeben | validé) printed: 18.12.2024

5. Ordering information

5.1. Bürkert eShop



Bürkert eShop – Easy ordering and quick delivery

You want to find your desired Bürkert product or spare part quickly and order directly? Our online shop is available for you 24/7. Sign up and enjoy all the benefits.

[Order online now](#)

5.2. Bürkert product filter



Bürkert product filter – Get quickly to the right product

You want to select products comfortably based on your technical requirements? Use the Bürkert product filter and find suitable articles for your application quickly and easily.

[Try out our product filter](#)

5.3. Ordering chart

Note:

Further information can be found in chapter [“4. Dimensions” on page 4.](#)