



## Fitting with welded connection according to DIN 11864-1 and BBS-Sterile contour

- Design according to DIN 11864-1
- All wetted materials can be tracked
- Part of the BBS modular system

Product variants described in the data sheet may differ from the product presentation and description.

### Can be combined with



**Type BBS-05** ▶  
Clamp connection with welded connection according to DIN 11864-3 and BBS-Sterile contour



**Type BBS-06** ▶  
Sterile contour flange connection according to DIN 11864-2 with welded connection



**Type BBS-07** ▶  
Sterile contour block flange



**Type BBS-11** ▶  
Standard Ingold Socket

### Type description

The sterile contour fitting with welded connection has a defined sealing compression which ensures that the O-ring seal is pressed with almost no gaps. This largely avoids product deposits.

The sterile contour fitting with welded connection is part of the BBS modular system.

For a connection with the highest demands we recommend BBS-05 or BBS-06.

## Table of contents

<b>1. General technical data</b>	<b>3</b>
<hr/>	
<b>2. Approvals and conformities</b>	<b>3</b>
2.1. General notes.....	3
2.2. Conformity .....	3
2.3. Standards.....	4
2.4. Foods and beverages/Hygiene .....	4
<hr/>	
<b>3. Materials</b>	<b>4</b>
3.1. Bürkert resistApp .....	4
<hr/>	
<b>4. Dimensions</b>	<b>4</b>
4.1. Aseptic variant according to DIN 11864 - 1 .....	4
Threaded connection .....	4
Ferrule (female).....	6
Threaded ferrule (male) .....	7
Ferrule blind cover (female).....	8
Threaded ferrule blind cover (male) .....	9
Union nut with rounded thread .....	10
O-ring .....	11
4.2. Sterile orbital variant .....	12
Threaded connection .....	12
Ferrule (female).....	13
Threaded ferrule (male) .....	14
Ferrule blind cover (female).....	15
Threaded ferrule blind cover (male) .....	16
Union nut.....	17
Locking ring .....	18
O-ring .....	19
<hr/>	
<b>5. Ordering information</b>	<b>19</b>
5.1. Bürkert eShop .....	19
5.2. Bürkert product filter .....	20
5.3. Ordering chart .....	20

## 1. General technical data

Product properties	
Dimensions	Further information can be found in chapter "4. Dimensions" on page 4.
Materials	
Wetted	Stainless steel 1.4435/316L Special materials on request
Non-wetted	Stainless steel 1.4305/303 or equivalent
Seal	EPDM, FEP
Surface quality	Wetted surface: RA < Ra 0.76 µm (ASME BPE SF3), other surfaces on request
Performance data	
Operating pressure	
Aseptic variant	DIN DN 10...DN 40: 40 bar DIN DN 50...DN 100: 25 bar ISO DN 08...DN 25: 40 bar ISO DN 32...DN 80: 25 bar ASME DN ½" ...DN 1 ½": 40 bar ASME DN 2" ...DN 4": 25 bar
Sterile orbital variant	-0.2 bar abs...16 bar
Medium data	
Operating medium	Gases or liquids
Medium temperature	EPDM seal material: -40 °C...+90 °C, short-term up to +140 °C FEP seal material: -60 °C...+160 °C, short-term up to +205 °C
Process/Port connection & communication	
Nominal diameter	
Aseptic variant	DIN DN 10...DN 100 ISO DN 08...DN 80 ASME DN ½" ...DN 4"
Sterile orbital variant	DIN DN 04...DN 50 ISO DN 06...DN 50 ASME DN ¼" ...DN 2" Customised on request
Port connection	Rounded thread according to DIN 405 - 1 (aseptic variant) or metric fine thread (sterile orbital variant)
Approvals and conformities	
Certificate	Material certificate 3.1
Foods and beverages/Hygiene	
FDA	Further information can be found in chapter "2.4. Foods and beverages/Hygiene" on page 4.
USP	Further information can be found in chapter "2.4. Foods and beverages/Hygiene" on page 4.
Environment and installation	
Ambient temperature	-20...+80 °C

## 2. Approvals and conformities

### 2.1. General notes

- The approvals and conformities listed below must be stated when making enquiries. This is the only way to ensure that the product complies with all required specifications.
- Not all available variants can be supplied with the below mentioned approvals or conformities.

### 2.2. Conformity

In accordance with the Declaration of Conformity, the product is compliant with the EU Directives.

### 2.3. Standards

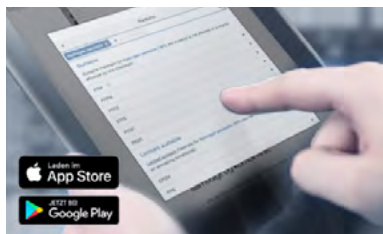
The applied standards which are used to demonstrate compliance with the EU Directives are listed in the EU-Type Examination Certificate and/or the EU Declaration of Conformity.

### 2.4. Foods and beverages/Hygiene

Conformity	Description
<b>FDA</b>	<b>FDA – Code of Federal Regulations</b> The seals made of EPDM and FEP are compliant with the Code of Federal Regulations published by the FDA (Food and Drug Administration, USA), according to the manufacturer’s declaration.
<b>USP</b>	<b>United States Pharmacopeial Convention (USP)</b> The seals made of EPDM and FEP are biocompatible according to the manufacturer’s declaration.

## 3. Materials

### 3.1. Bürkert resistApp



#### Bürkert resistApp – Chemical resistance chart

You want to ensure the reliability and durability of the materials in your individual application case? Verify your combination of media and materials on our website or in our resistApp.

[Start chemical resistance check](#)

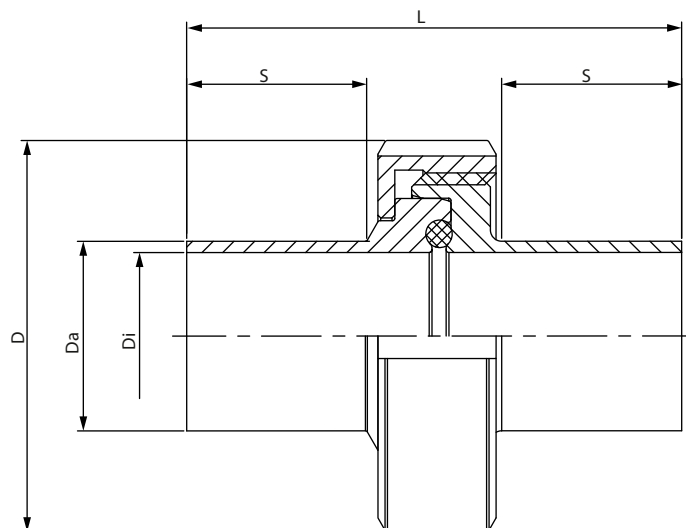
## 4. Dimensions

### 4.1. Aseptic variant according to DIN 11864 - 1

Threaded connection

**Note:**

According to DIN 11864 - 1



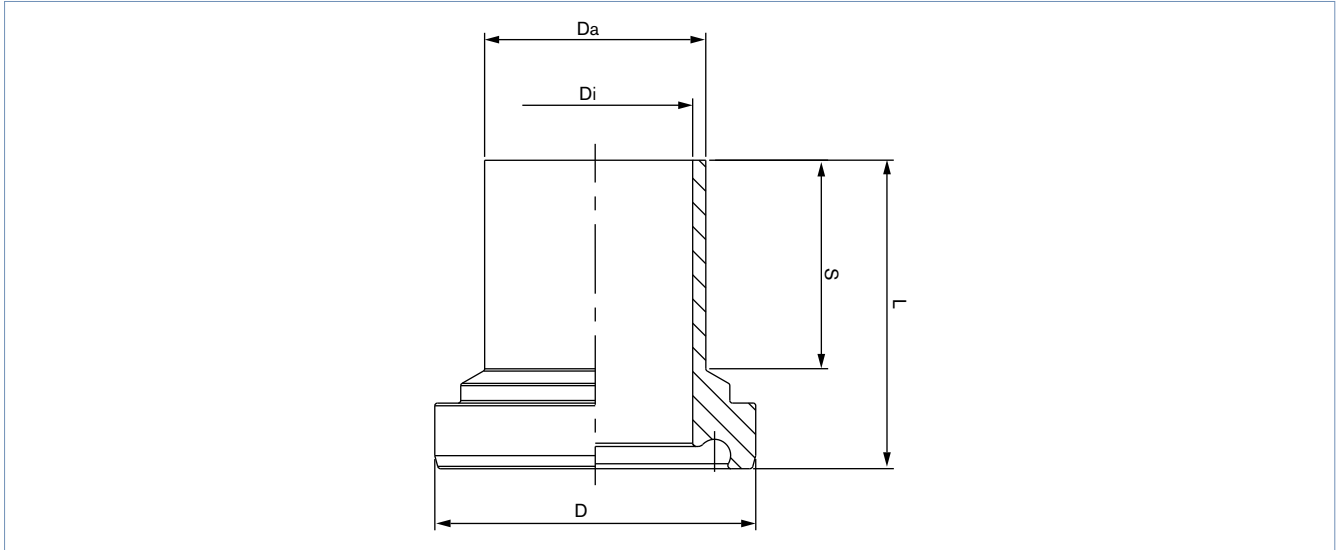
Nominal diameter	D	Da	Di	L	S	Article no. EPDM	Article no. FEP
	[mm]	[mm]	[mm]	[mm]	[mm]		
<b>DIN</b>							
DN 10	38	12	10	76	27	744731	744733
DN 10	38	13	10	76	27	744730	744732
DN 15	44	19	16	76	27	744736	744737
DN 20	54	23	20	76	27	744738	744739
DN 25	63	29	26	77	27	744740	744741
DN 32	70	35	32	88	32	744742	744743
DN 40	78	41	38	88	32	744335	744744
DN 50	92	53	50	89	32	744336	744745
DN 65	112	70	66	113	40	744746	744747
DN 80	127	85	81	117	40	744748	744749
DN 100	148	104	100	120	40	744734	744735
<b>ISO</b>							
DN 08	38	13.5	10.3	76	27	732231	732233
DN 10	44	17.2	14	76	27	732245	732247
DN 15	54	21.3	18.1	78	27	732255	732257
DN 20	63	26.9	23.7	78	27	732267	732269
DN 25	70	33.7	29.7	88	32	732280	732282
DN 32	78	42.4	38.4	88	32	732292	732294
DN 40	92	48.3	44.3	90	33	732302	732304
DN 50	112	60.3	56.3	114	40	732314	732316
DN 65	127	76.1	72.1	117	40	732324	732326
DN 80	148	88.9	84.3	122	40	732328	732330
<b>ASME</b>							
DN 1/2"	38	12.7	9.4	76	27	744775	744776
DN 3/4"	44	19.05	15.75	76	27	744777	744778
DN 1"	63	25.4	22.1	77	27	732209	744779
DN 1 1/2"	78	38.1	34.8	88	32.5	743137	744780
DN 2"	89	50.8	47.5	89	32.5	744781	744782
DN 2 1/2"	112	63.5	60.2	115	40	744783	747784
DN 3"	127	76.2	72.9	117	40	744785	744786
DN 4"	148	101.6	97.38	119	40	744787	744788

DTS 1000175495 EN Version: L Status: RL (released | freigegeben | validé) printed: 28.03.2024

**Ferrule (female)**

**Note:**

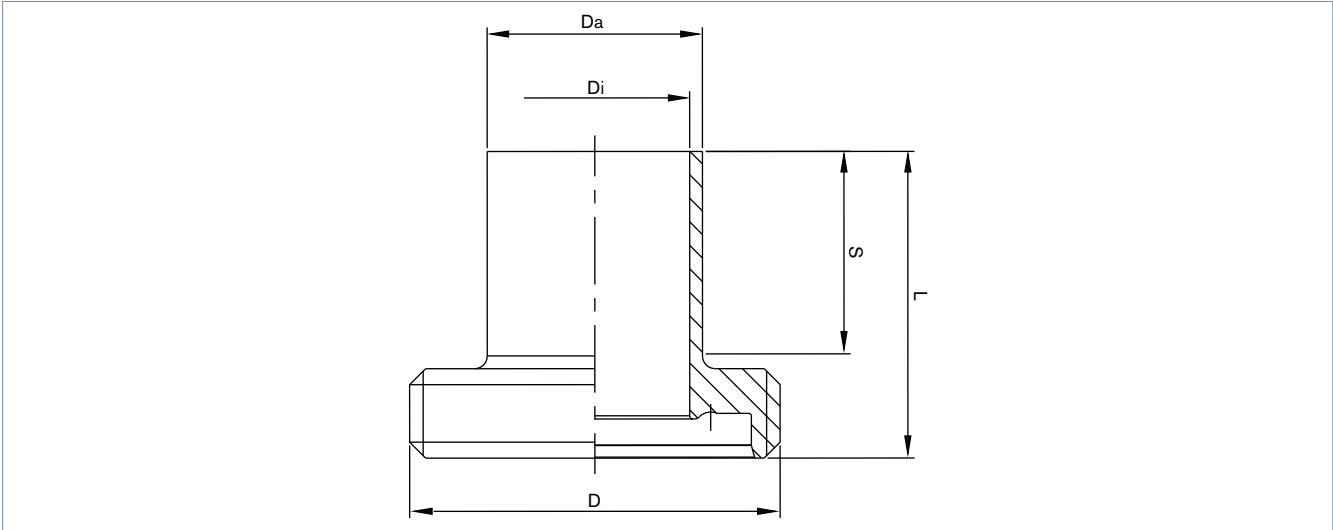
According to DIN 11864-1



Nominal diameter	D	Da	Di	L	S	Article no.
	[mm]	[mm]	[mm]	[mm]	[mm]	
<b>DIN</b>						
DN 10	21.9	12	10	39	27	731912
DN 10	21.9	13	10	39	27	744493
DN 15	27.9	19	16	39	27	731918
DN 20	35.9	23	20	38	26	731924
DN 25	42.9	29	26	40	26	731926
DN 32	48.9	35	32	47	32	731928
DN 40	54.9	41	38	47	31	731932
DN 50	66.9	53	50	48	30	731936
DN 65	84.9	70	66	61	40	731938
DN 80	98.9	85	81	61	40	731942
DN 100	118.9	104	100	66	40	731916
<b>ISO</b>						
DN 08	21.9	13.5	10.3	39	27	731957
DN 10	27.9	17.2	14	39	27	731965
DN 15	35.9	21.3	18.1	40	27	731971
DN 20	42.9	26.9	23.7	41	27	731980
DN 25	48.9	33.7	29.7	47	32	731986
DN 32	54.9	42.4	38.4	47	32	731994
DN 40	66.9	48.3	44.3	48	31	732001
DN 50	84.9	60.3	56.3	62	40	732007
DN 65	98.9	76.1	72.1	61	40	744521
DN 80	118.9	88.9	84.3	68	40	732015
<b>ASME</b>						
DN 1/2"	21.9	12.7	9.4	39	27	744503
DN 3/4"	27.9	19.05	15.75	39	27	744505
DN 1"	42.9	25.4	22.1	40	26	731949
DN 1 1/2"	54.9	38.1	34.8	46.5	30	744507
DN 2"	66.9	50.8	47.5	47.5	30	744509
DN 2 1/2"	84.9	63.5	60.2	63	40	744511
DN 3"	98.9	76.2	72.9	61	40	744513
DN 4"	118.9	101.6	97.38	65	40	744515

**Threaded ferrule (male)**

**Note:**  
According to DIN 11864-1



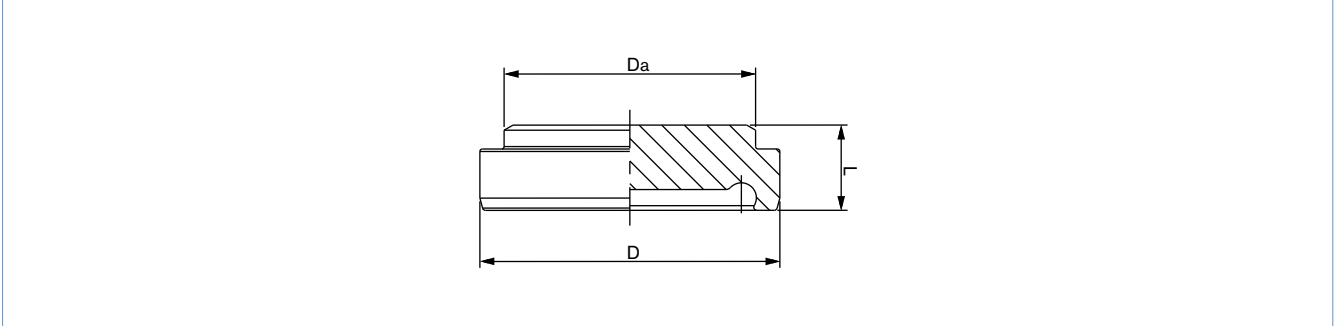
Nominal diameter	D [mm]	Da [mm]	Di [mm]	L [mm]	S [mm]	Article no.
<b>DIN</b>						
DN 10	RD 28 × 1/8	12	10	41	27	732599
DN 10	RD 28 × 1/8	13	10	41	27	744544
DN 15	RD 34 × 1/8	19	16	41	27	732605
DN 20	RD 44 × 1/6	23	20	43	26	732609
DN 25	RD 52 × 1/6	29	26	43	26	732611
DN 32	RD 58 × 1/6	35	32	48	32	732613
DN 40	RD 65 × 1/6	41	38	48	31	732615
DN 50	RD 78 × 1/6	53	50	48	30	732617
DN 65	RD 95 × 1/6	70	66	60	40	732619
DN 80	RD 110 × 1/4	85	81	64	40	732623
DN 100	RD 130 × 1/4	104	100	64	40	732603
<b>ISO</b>						
DN 08	RD 28 × 1/8	13.5	10.3	41	27	732637
DN 10	RD 34 × 1/8	17.2	14	41	27	732646
DN 15	RD 44 × 1/6	21.3	18.1	43	27	732654
DN 20	RD 52 × 1/6	26.9	23.7	43	27	732664
DN 25	RD 58 × 1/6	33.7	29.7	48	32	732672
DN 32	RD 65 × 1/6	42.4	38.4	48	32	732684
DN 40	RD 78 × 1/6	48.3	44.3	49	31	732690
DN 50	RD 95 × 1/6	60.3	56.3	60	40	732698
DN 65	RD 110 × 1/4	76.1	72.1	64	40	744555
DN 80	RD 130 × 1/4	88.9	84.3	64	40	732704
<b>ASME</b>						
DN 1/2"	RD 28 × 1/8	12.7	9.4	41	27	744546
DN 3/4"	RD 34 × 1/8	19.05	15.75	41	27	744547
DN 1"	RD 52 × 1/6	25.4	22.1	43	27	732629
DN 1 1/2"	RD 65 × 1/6	38.1	34.8	48.5	26	744548
DN 2"	RD 78 × 1/6	50.8	47.5	48	26	744549
DN 2 1/2"	RD 95 × 1/6	63.5	60.2	60	32	744550
DN 3"	RD 110 × 1/4	76.2	72.9	64	31	744551
DN 4"	RD 130 × 1/4	101.6	97.38	64	30	744552

DTS 1000175495 EN Version: L Status: RL (released | freigegeben | validé) printed: 28.03.2024

**Ferrule blind cover (female)**

**Note:**

According to DIN 11864-1



Nominal diameter	D [mm]	Da [mm]	L [mm]	Article no.
<b>DIN</b>				
DN 10	21.9	18	10	744623
DN 15	27.9	24	10	744625
DN 20	35.9	30	11	744626
DN 25	42.9	35	13	733265
DN 32	48.9	41	14	744627
DN 40	54.9	48	14	744628
DN 50	66.9	61	15	744629
DN 65	84.9	93	17	744630
DN 80	98.9	93	17	744631
DN 100	118.9	114	21	744624
<b>ISO</b>				
DN 08	21.9	18	10	733268
DN 10	27.9	24	10	744640
DN 15	35.9	30	11	733271
DN 20	42.9	35	13	733274
DN 25	48.9	41	14	733278
DN 32	54.9	48	14	733281
DN 40	66.9	61	15	744002
DN 50	84.9	79	17	744003
DN 65	98.9	93	17	744641
DN 80	118.9	114	21	744642
<b>ASME</b>				
DN 1/2"	21.9	18	10	744632
DN 3/4"	27.9	24	10	744633
DN 1"	42.9	35	13	744634
DN 1 1/2"	54.9	38	14	744635
DN 2"	66.9	61	15	744636
DN 2 1/2"	84.9	79	17	744637
DN 3"	98.9	93	17	744638
DN 4"	118.9	114	21	744639

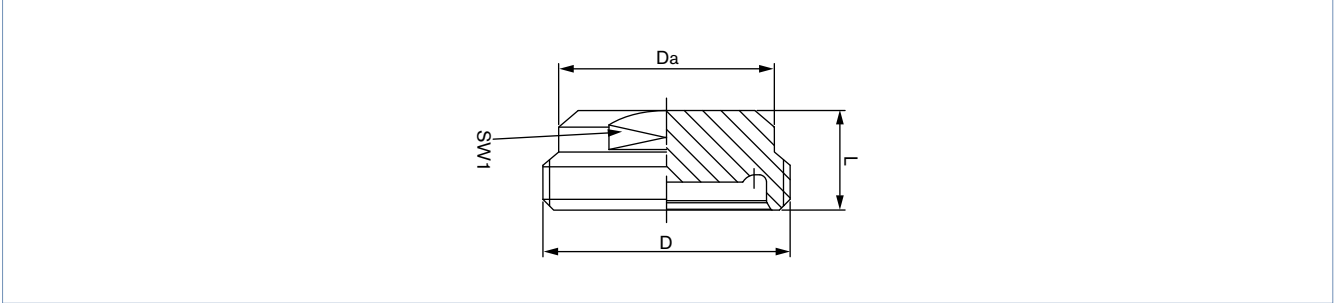
DTS 1000175495 EN Version: L Status: RL (released | freigegeben | validé) printed: 28.03.2024



**Threaded ferrule blind cover (male)**

**Note:**

According to DIN 11864-1



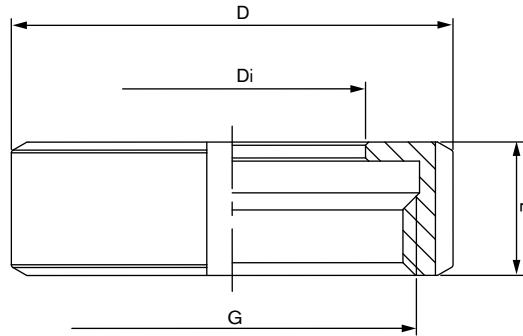
Nominal diameter	D [mm]	Da [mm]	L [mm]	SW [mm]	Article no.
<b>DIN</b>					
DN 10	RD 28 × 1/8	21	20	17	744597
DN 15	RD 34 × 1/8	25	20	22	744600
DN 20	RD 44 × 1/6	35	22	32	744601
DN 25	RD 52 × 1/6	44	24	41	744602
DN 32	RD 58 × 1/6	45	24	41	744603
DN 40	RD 65 × 1/6	60	24	55	744604
DN 50	RD 78 × 1/6	72	24	65	744605
DN 65	RD 95 × 1/6	87	28	80	744268
DN 80	RD 110 × 1/4	100	28	95	744269
DN 100	RD 130 × 1/4	120	30	115	744599
<b>ISO</b>					
DN 08	RD 28 × 1/8	21	18	17	733214
DN 10	RD 34 × 1/8	25	20	22	744620
DN 15	RD 44 × 1/6	35	22	32	733223
DN 20	RD 52 × 1/6	44	24	41	742903
DN 25	RD 58 × 1/6	45	24	41	733233
DN 32	RD 65 × 1/6	54	24	50	744004
DN 40	RD 78 × 1/6	70	24	65	744005
DN 50	RD 95 × 1/6	87	28	80	744006
DN 65	RD 110 × 1/4	100	28	95	744621
DN 80	RD 130 × 1/4	120	30	115	744622
<b>ASME</b>					
DN 1/2"	RD 28 × 1/8	21	20	17	744612
DN 3/4"	RD 34 × 1/8	25	20	22	744613
DN 1"	RD 52 × 1/6	44	24	41	744614
DN 1 1/2"	RD 65 × 1/6	60	24	55	744615
DN 2"	RD 78 × 1/6	72	24	65	744616
DN 2 1/2"	RD 95 × 1/6	87	28	80	744617
DN 3"	RD 110 × 1/4	100	28	95	744618
DN 4"	RD 130 × 1/4	120	30	115	744619

DTS 1000175495 EN Version: L Status: RL (released | freigegeben | valide) printed: 28.03.2024

**Union nut with rounded thread**

**Note:**

According to DIN 11864-1



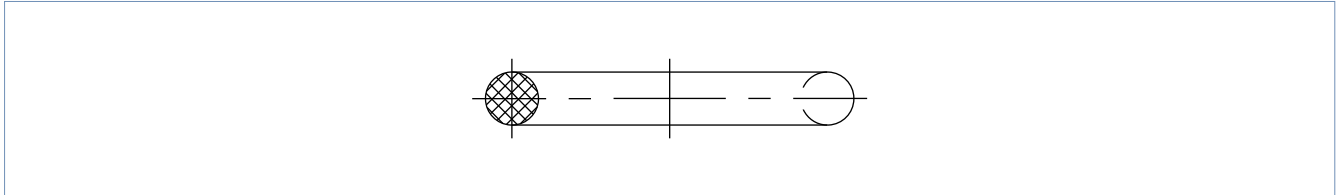
Nominal diameter	D	G	Di	L	Article no.
	[mm]	[mm]	[mm]	[mm]	
<b>DIN</b>					
DN 10	38	RD 28 × 1/8	19	18	732973
DN 15	44	RD 34 × 1/8	25	18	732981
DN 20	54	RD 44 × 1/6	31	20	732989
DN 25	63	RD 52 × 1/6	36	21	732997
DN 32	70	RD 58 × 1/6	42	21	733005
DN 40	78	RD 65 × 1/6	49	21	733013
DN 50	92	RD 78 × 1/6	62	22	733019
DN 65	112	RD 95 × 1/6	80	25	733027
DN 80	127	RD 110 × 1/4	94	29	733033
DN 100	148	RD 130 × 1/4	115	31	733039
<b>ISO</b>					
DN 08	38	RD 28 × 1/8	19	18	732973
DN 10	44	RD 34 × 1/8	25	18	732981
DN 15	54	RD 44 × 1/6	31	20	732989
DN 20	63	RD 52 × 1/6	36	21	732997
DN 25	70	RD 58 × 1/6	42	21	733005
DN 32	78	RD 65 × 1/6	49	21	733013
DN 40	92	RD 78 × 1/6	62	22	733019
DN 50	112	RD 95 × 1/6	80	25	733027
DN 65	127	RD 110 × 1/4	94	29	733033
DN 80	148	RD 130 × 1/4	115	31	733039
<b>ASME</b>					
DN 1/2"	38	RD 28 × 1/8	19	18	732973
DN 3/4"	44	RD 34 × 1/8	25	18	732981
DN 1"	63	RD 52 × 1/6	36	21	732997
DN 1 1/2"	78	RD 65 × 1/6	49	21	733013
DN 2"	92	RD 78 × 1/6	62	22	733019
DN 2 1/2"	112	RD 95 × 1/6	80	25	733027
DN 3"	127	RD 110 × 1/4	94	29	733033
DN 4"	148	RD 130 × 1/4	115	31	733039

DTS 1000175495 EN Version: L Status: RL (released | freigegeben | valide) printed: 28.03.2024

**O-ring**

**Note:**

According to DIN 11864-1

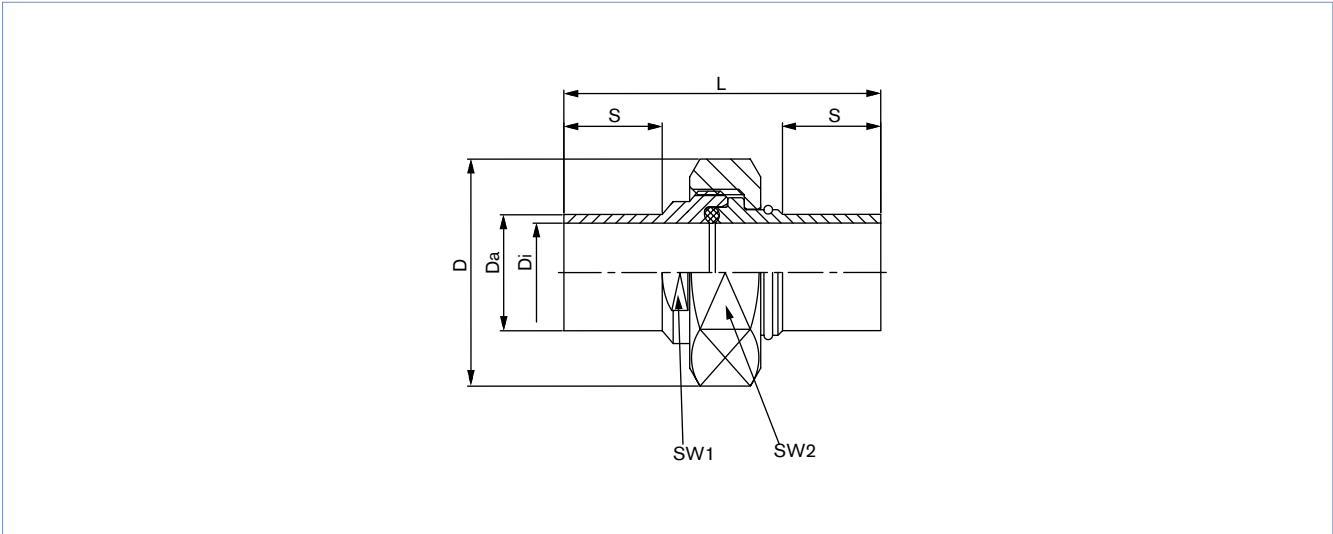


Nominal diameter	Article no. EPDM	Article no. FEP
<b>DIN</b>		
DN 10	730383	730385
DN 15	730435	730437
DN 20	730480	730483
DN 25	730515	730517
DN 32	730569	730566
DN 40	730593	730591
DN 50	730624	730626
DN 65	730655	730657
DN 80	730692	730694
DN 100	730406	730408
<b>ISO</b>		
DN 08	730993	730995
DN 10	731021	731023
DN 15	731077	731079
DN 20	731118	731120
DN 25	731157	731159
DN 32	731202	731204
DN 40	731232	731234
DN 50	731271	731273
DN 65	731299	731302
DN 80	731324	731326
<b>ASME</b>		
DN 1/2"	730788	730790
DN 3/4"	730803	730805
DN 1"	730825	730827
DN 1 1/2"	730855	730857
DN 2"	730878	730880
DN 2 1/2"	730903	730905
DN 3"	730924	730926
DN 4"	730946	730948

DTS 1000175495 EN Version: L Status: RL (released | freigegeben | validé) printed: 28.03.2024

4.2. Sterile orbital variant

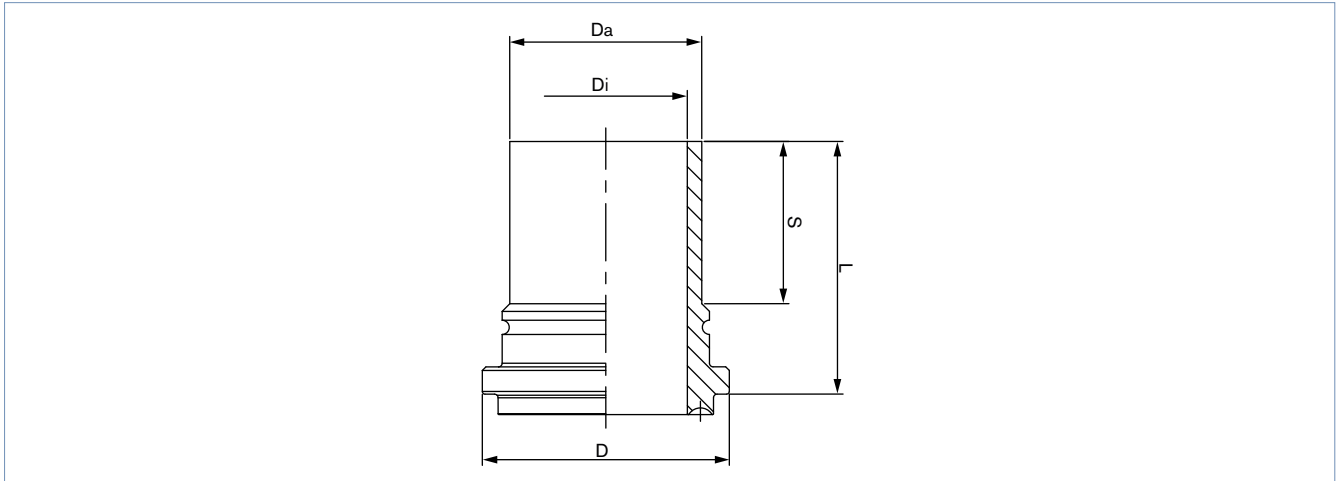
Threaded connection



Nominal diameter	D [mm]	Da [mm]	Di [mm]	L [mm]	S [mm]	SW1 [mm]	SW2 [mm]	Article no. EPDM	Article no. FEP
<b>DIN</b>									
DN 04	21.9	6	4	55.5	18	12	19	732354	732356
DN 06	21.9	8	6	55.5	18	12	19	732358	732364
DN 08	24.5	10	8	56.5	18	14	22	732366	732370
DN 10	31.2	12	10	58	18	17	27	732374	732381
DN 10	31.2	13	10	58	18	17	27	743444	744804
DN 15	41.6	19	16	60	18	-	36	732385	732387
DN 20	48.3	23	20	62	18	-	42 <sup>1.)</sup>	732389	732391
DN 25	52	29	26	60	18	-	46 <sup>1.)</sup>	732393	732395
DN 32	62	35	32	68	18	-	56 <sup>1.)</sup>	732397	732399
DN 40	62	41	38	65	18	-	56 <sup>1.)</sup>	732401	732403
DN 50	79.5	53	50	68	18	-	61 <sup>1.)</sup>	732405	732407
<b>ISO</b>									
DN 06	24.5	10.2	7	56.5	18	14	19	732461	732461
DN 08	31.2	13.5	10.3	58	18	17	27	732468	732472
DN 10	36.5	17.2	14	58	18	21	32	732486	732490
DN 15	41.6	21.3	18.1	58	18	22	36	732504	732510
DN 20	48.3	26.9	23.7	58	18	-	42 <sup>1.)</sup>	732522	732526
DN 25	52	33.7	29.7	60	18	-	46 <sup>1.)</sup>	732532	732536
DN 32	62	42.4	38.4	65	18	-	56 <sup>1.)</sup>	732546	732551
DN 40	67	48.3	44.3	64	18	-	61 <sup>1.)</sup>	732557	732563
DN 50	79.5	60.3	56.3	62	18	-	74 <sup>1.)</sup>	732346	732350
<b>ASME</b>									
DN 1/4"	21.9	6.35	4.57	55.8	18	12	19	732431	743034
DN 3/8"	24.5	9.53	7.75	61.8	25.4	14	22	732433	732435
DN 1/2"	31.2	12.7	9.4	64.5	25.4	17	27	732437	732439
DN 3/4"	36.5	19.05	15.75	72.3	25.4	21	32	732441	732443
DN 1"	48.3	25.4	22.1	74	25.4	-	42 <sup>1.)</sup>	732445	732447
DN 1 1/2"	62	38.1	34.8	68.6	18	-	56 <sup>1.)</sup>	732449	732451
DN 2"	75	50.8	47.5	87.7	25.4	-	61 <sup>1.)</sup>	732458	732460

1.) For hook wrench

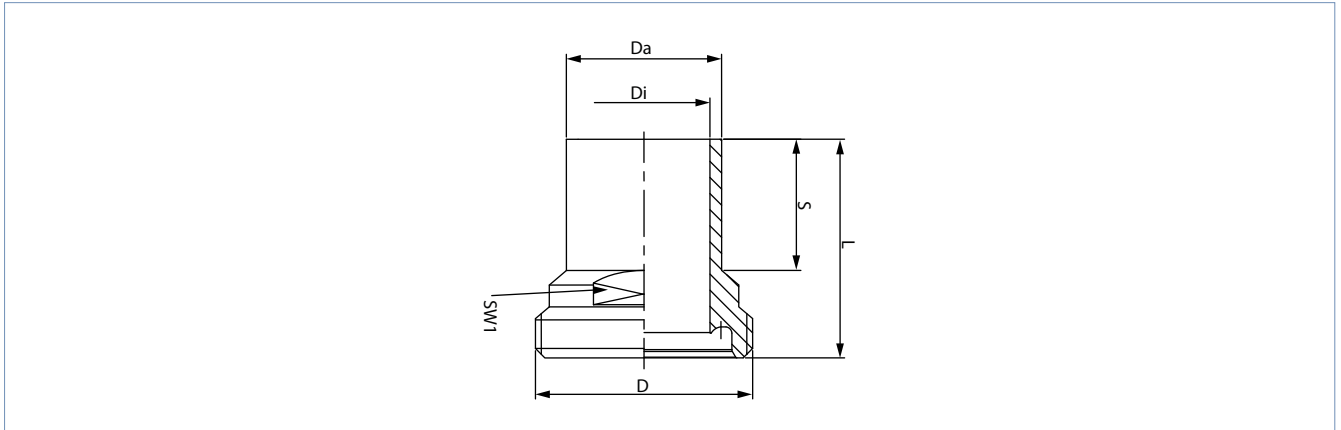
Ferrule (female)



Nominal diameter	D	Da	Di	L	S	Article no.
	[mm]	[mm]	[mm]	[mm]	[mm]	
<b>DIN</b>						
DN 04	13.8	6	4	27.5	18	732041
DN 06	13.8	8	6	27.5	18	732045
DN 08	15.8	10	8	27.5	18	732047
DN 10	19.8	12	10	28	18	732053
DN 10	19.8	13	10	28	18	743178
DN 15	27.4	19	16	30	18	732055
DN 20	27.4	23	20	30	18	732058
DN 25	39.3	29	26	28	18	732060
DN 32	49	35	32	33	18	732062
DN 40	49	41	32	31	18	732064
DN 50	65	53	50	33	18	732066
<b>ISO</b>						
DN 06	15.8	10.2	7	27	18	732119
DN 08	19.8	13.5	10.3	28	18	732129
DN 10	24.2	17.2	14	28	18	732137
DN 15	27.4	21.3	18.1	28	18	732147
DN 20	33.7	26.9	23.7	28	18	732152
DN 25	39.3	33.7	29.7	28	18	732155
DN 32	49	42.4	38.4	33.3	18	732158
DN 40	54	48.3	44.3	30	18	732161
DN 50	65	60.3	56.3	28	18	732162
<b>ASME</b>						
DN 1/4"	13.8	6.35	4.57	27.8	18	732089
DN 3/8"	15.8	9.53	7.75	25.1	18	732091
DN 1/2"	19.8	12.7	9.4	27	18	732093
DN 3/4"	24.2	19.05	15.75	34.9	25.4	732095
DN 1"	33.7	25.4	22.1	36.5	25.4	732097
DN 1 1/2"	49	38.1	34.8	32.4	18	732101
DN 2"	65.2	50.8	47.5	42.2	25.4	732105

DTS 1000175495 EN Version: L Status: RL (released | freigegeben | validé) printed: 28.03.2024

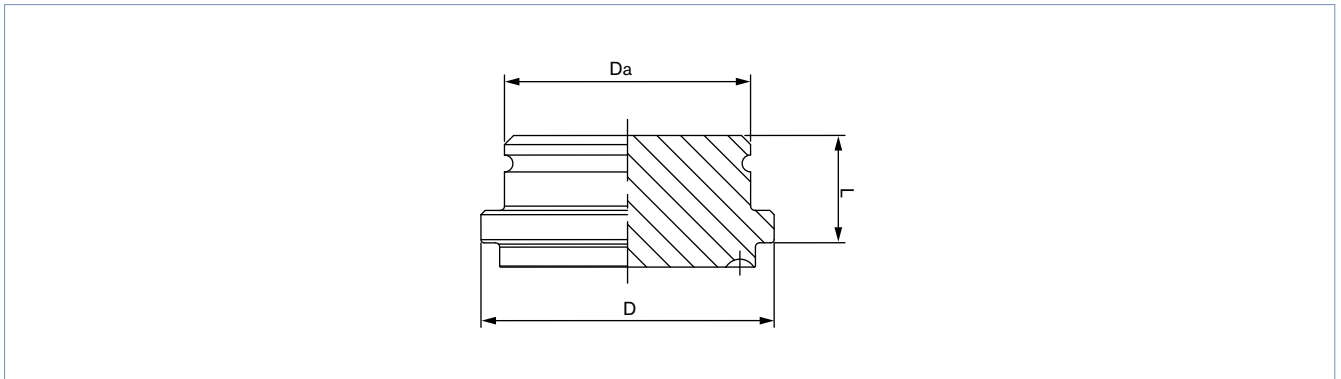
Threaded ferrule (male)



Nominal diameter	D [mm]	Da [mm]	Di [mm]	L [mm]	S [mm]	SW1 [mm]	Article no.
<b>DIN</b>							
DN 04	M16 × 1.5	6	4	28	18	12	732727
DN 06	M16 × 1.5	8	6	28	18	12	732733
DN 08	M18 × 1.5	10	8	29	18	14	732745
DN 10	M22 × 1.5	12	10	30	18	17	732749
DN 10	M22 × 1.5	13	10	30	18	17	743179
DN 15	M30 × 2	19	16	30	18	–	732751
DN 20	M36 × 2	23	20	32	18	–	732753
DN 25	M42 × 2	29	26	32	18	–	732755
DN 32	M52 × 2	35	32	35	18	–	732757
DN 40	M52 × 2	41	32	34	18	–	732759
DN 50	M68 × 2	53	50	35	18	–	732761
<b>ISO</b>							
DN 06	M18 × 1.5	10.2	7	29	18	14	732811
DN 08	M22 × 1.5	13.5	10.3	30	18	17	732825
DN 10	M26 × 1.5	17.2	14	30	18	21	732847
DN 15	M30 × 2	21.3	18.1	30	18	22	732859
DN 20	M36 × 2	26.9	23.7	30	18	–	732867
DN 25	M42 × 2	33.7	29.7	32	18	–	732875
DN 32	M52 × 2	42.4	38.4	34	18	–	732883
DN 40	M56 × 2	48.3	44.3	34	18	–	732895
DN 50	M68 × 2	60.3	56.3	34	18	–	732899
<b>ASME</b>							
DN ¼"	M16 × 1.5	6.35	4.57	28	18	12	732783
DN ⅜"	M18 × 1.5	9.53	7.75	36.7	25.4	14	732785
DN ½"	M22 × 1.5	12.7	9.4	36.5	25.4	17	732787
DN ¾"	M26 × 1.5	19.05	15.75	37.4	25.4	21	732790
DN 1"	M36 × 2	25.4	22.1	37.4	25.4	–	732792
DN 1½"	M52 × 2	38.1	34.8	36.2	18	–	732794
DN 2"	M68 × 2	50.8	47.5	45.5	25.4	–	732798

DTS 1000175495 EN Version: L Status: RL (released | freigegeben | validé) printed: 28.03.2024

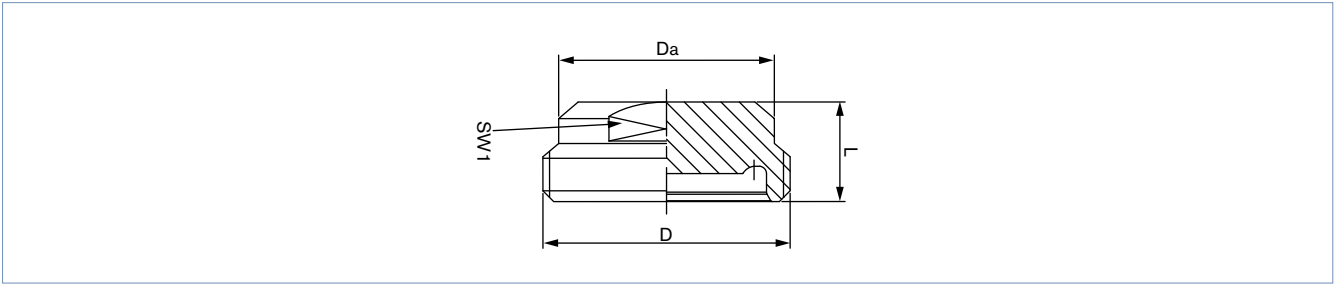
Ferrule blind cover (female)



Nominal diameter	D [mm]	Da [mm]	L [mm]	Article no.
<b>DIN</b>				
DN 04	13.8	10	11	733284 <a href="#">↗</a>
DN 06	13.8	10	11	733287 <a href="#">↗</a>
DN 08	15.8	12.2	11	733290 <a href="#">↗</a>
DN 10	19.8	15	11	733293 <a href="#">↗</a>
DN 15	27.4	23.4	11	733297 <a href="#">↗</a>
DN 20	27.4	23.4	11	733300 <a href="#">↗</a>
DN 25	39.3	35.5	11.7	733303 <a href="#">↗</a>
DN 32	49	43.7	13	733306 <a href="#">↗</a>
DN 40	49	43.7	13	733309 <a href="#">↗</a>
DN 50	65	60.3	13.7	733312 <a href="#">↗</a>
<b>ISO</b>				
DN 06	15.8	12	9.2	733348 <a href="#">↗</a>
DN 08	19.8	15	11	733351 <a href="#">↗</a>
DN 10	24.2	21	11	733357 <a href="#">↗</a>
DN 15	27.4	23.2	11	733364 <a href="#">↗</a>
DN 20	33.7	28	11	733370 <a href="#">↗</a>
DN 25	39.3	35.5	11	733376 <a href="#">↗</a>
DN 32	49	43.7	13	733382 <a href="#">↗</a>
DN 40	54	49.8	15	733388 <a href="#">↗</a>
DN 50	65	60.3	11	733391 <a href="#">↗</a>
<b>ASME</b>				
DN ¼"	13.8	10	11	733327 <a href="#">↗</a>
DN ⅜"	15.8	12.2	11	733330 <a href="#">↗</a>
DN ½"	19.8	15	9.7	733333 <a href="#">↗</a>
DN ¾"	24.2	21	10.5	733336 <a href="#">↗</a>
DN 1"	33.7	28	12	733339 <a href="#">↗</a>
DN 1½"	49	43.5	13	733342 <a href="#">↗</a>
DN 2"	65.2	60.3	13.7	733345 <a href="#">↗</a>

DTS 1000175495 EN Version: L Status: RL (released | freigegeben | validé) printed: 28.03.2024

Threaded ferrule blind cover (male)

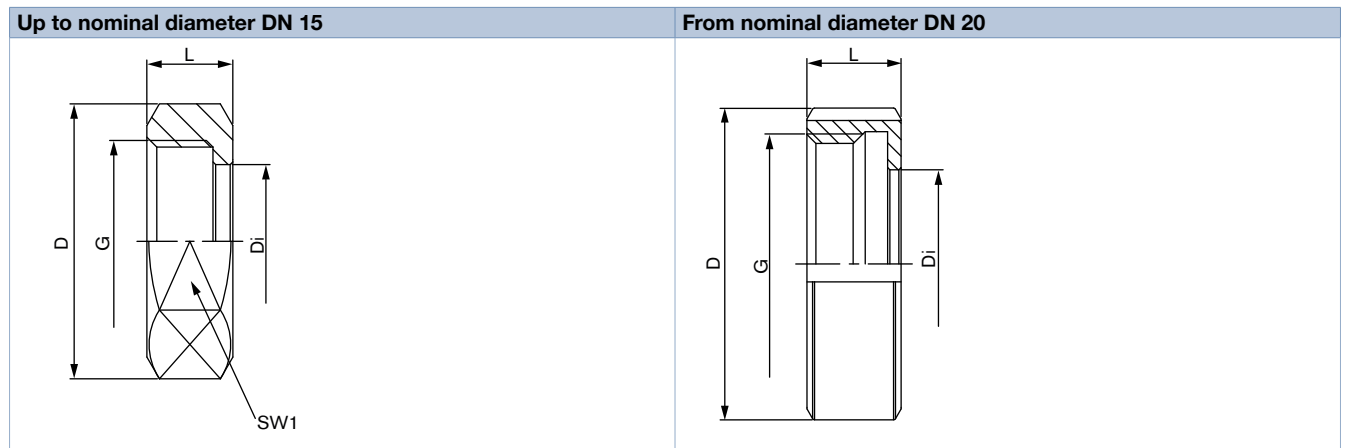


Nominal diameter	D	Da	L	SW1	Article no.
	[mm]	[mm]	[mm]	[mm]	
<b>DIN</b>					
DN 04	M16 × 1.5	13.5	12	12	733158
DN 06	M16 × 1.5	15.5	12	14	733161
DN 08	M18 × 1.5	15.5	12	14	733164
DN 10	M22 × 1.5	19.05	12	17	733168
DN 15	M30 × 2	26	12.5	22	733171
DN 20	M36 × 2	32	15	30	733174
DN 25	M42 × 2	38	15	36	733177
DN 32	M52 × 2	48	14	46	733180
DN 40	M52 × 2	48	14	46	733184
DN 50	M68 × 2	64	20	60	733187
<b>ISO</b>					
DN 06	M18 × 1.5	16	11	14	733211
DN 08	M22 × 1.5	19.05	13	17	733217
DN 10	M26 × 1.5	23	13	19	733220
DN 15	M30 × 2	26	12.5	22	733227
DN 20	M36 × 2	32	15	30	733230
DN 25	M42 × 2	38	15	36	733236
DN 32	M52 × 2	48	16	46	733239
DN 40	M56 × 2	52.5	16	50	733243
DN 50	M68 × 2	64	20	60	733246
<b>ASME</b>					
DN 1/4"	M16 × 1.5	13.5	12	12	733190
DN 3/8"	M18 × 1.5	15.5	12	14	733193
DN 1/2"	M22 × 1.5	19.05	12	17	733196
DN 3/4"	M26 × 1.5	23	13	19	733199
DN 1"	M36 × 2	26	12.5	22	733201
DN 1 1/2"	M52 × 2	48	18	41	733204
DN 2"	M68 × 2	64	20	60	733208

DTS 1000175495 EN Version: L Status: RL (released | freigegeben | valide) printed: 28.03.2024



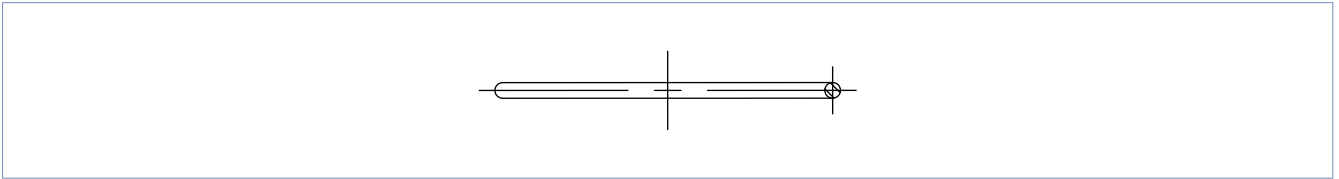
Union nut



Nominal diameter	D	G	Di	L	SW1	Article no.
	[mm]	[mm]	[mm]	[mm]	[mm]	
<b>DIN</b>						
DN 04	21.9	M16 × 1.5	10.4	12	19	732927
DN 06	21.9	M16 × 1.5	10.4	12	19	732927
DN 08	24.5	M18 × 1.5	12.4	12	22	732931
DN 10	31.2	M22 × 1.5	15.5	12	27	732975
DN 15	41.6	M30 × 2	23.9	13	36	732991
DN 20	48.3	M36 × 2	28.5	13	42 <sup>1.)</sup>	732999
DN 25	52	M42 × 2	36	15	46 <sup>1.)</sup>	733007
DN 32	62	M52 × 2	44	18	56 <sup>1.)</sup>	733015
DN 40	62	M52 × 2	44	18	56 <sup>1.)</sup>	733015
DN 50	79.5	M68 × 2	60.7	18	74 <sup>1.)</sup>	733029
<b>ISO</b>						
DN 06	24.5	M18 × 1.5	12.4	12	22	732931
DN 08	31.2	M22 × 1.5	15.5	12	27	732975
DN 10	36.5	M26 × 1.5	21.4	13	32	732983
DN 15	41.6	M30 × 2	23.9	13	36	732991
DN 20	48.3	M36 × 2	28.5	13	42 <sup>1.)</sup>	732999
DN 25	52	M42 × 2	36	15	46 <sup>1.)</sup>	733007
DN 32	62	M52 × 2	44	18	56 <sup>1.)</sup>	733015
DN 40	67	M56 × 2	48.6	18	61 <sup>1.)</sup>	733023
DN 50	79.5	M68 × 2	60.7	18	74 <sup>1.)</sup>	733029
<b>ASME</b>						
DN ¼"	21.9	M16 × 1.5	10.4	12	19	732927
DN ⅜"	24.5	M18 × 1.5	12.4	12	22	732931
DN ½"	31.2	M22 × 1.5	15.5	12	27	732975
DN ¾"	36.5	M26 × 1.5	21.4	13	32	732983
DN 1"	48.3	M36 × 2	28.5	13	42 <sup>1.)</sup>	732999
DN 1½"	62	M52 × 2	44	18	56 <sup>1.)</sup>	733015
DN 2"	79.5	M68 × 2	60.7	18	74 <sup>1.)</sup>	733029

1.) For hook wrench

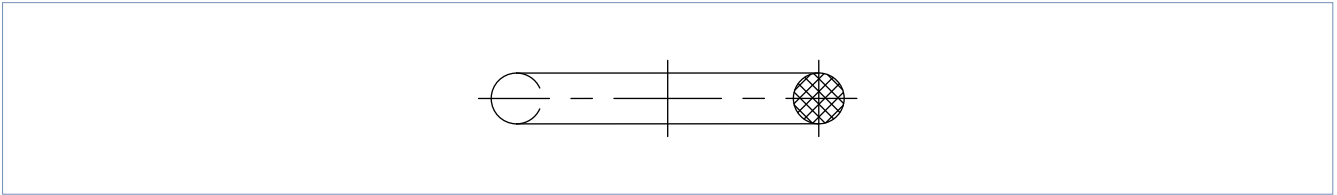
Locking ring



Nominal diameter	Article no.
<b>DIN</b>	
DN 04	731867
DN 06	730867
DN 08	731869
DN 10	731871
DN 15	731879
DN 20	731881
DN 25	731883
DN 32	731885
DN 40	731885
DN 50	731889
<b>ISO</b>	
DN 06	731869
DN 08	731871
DN 10	731877
DN 15	731879
DN 20	731881
DN 25	731883
DN 32	731885
DN 40	731887
DN 50	731889
<b>ASME</b>	
DN 1/4"	731867
DN 3/8"	731869
DN 1/2"	731871
DN 3/4"	731877
DN 1"	731881
DN 1 1/2"	731885
DN 2"	731889

DTS 1000175495 EN Version: L Status: RL (released | freigegeben | valide) printed: 28.03.2024

O-ring



Nominal diameter	Article no. EPDM	Article no. FEP
<b>DIN</b>		
DN 04	731867	on request
DN 06	730346	730348
DN 08	730356	730358
DN 10	730369	730371
DN 15	730412	730414
DN 20	730460	730462
DN 25	730497	730499
DN 32	730546	730548
DN 40	730573	730575
DN 50	730606	730608
<b>ISO</b>		
DN 06	730981	-
DN 08	730983	on request
DN 10	731004	731006
DN 15	731058	731060
DN 20	731101	731103
DN 25	731141	731143
DN 32	731187	731189
DN 40	731216	731218
DN 50	731267	731269
<b>ASME</b>		
DN 1/4"	730750	730752
DN 3/8"	730356	730358
DN 1/2"	730766	730768
DN 3/4"	730792	730794
DN 1"	730811	730813
DN 1 1/2"	730837	730839
DN 2"	730867	730870

## 5. Ordering information

### 5.1. Bürkert eShop




#### Bürkert eShop – Easy ordering and quick delivery

You want to find your desired Bürkert product or spare part quickly and order directly? Our online shop is available for you 24/7. Sign up and enjoy all the benefits.

[Order online now](#)

## 5.2. Bürkert product filter



**Bürkert product filter – Get quickly to the right product**

You want to select products comfortably based on your technical requirements? Use the Bürkert product filter and find suitable articles for your application quickly and easily.

[Try out our product filter](#)

## 5.3. Ordering chart

**Note:**

Further information can be found in chapter **“4. Dimensions”** on page 4.