



### Liquid flow controller (LFC)

- High dynamic control through fast flow measurement
- Applicable for liquid dosing up to 600 ml/min (36 l/h)
- No moving parts in medium
- Fieldbus optional
- Compact variant



Product variants described in the data sheet may differ from the product presentation and description.

#### Can be combined with

	<b>Type 8611</b> eCONTROL – Universal controller	▶
	<b>Type 6606</b> 2/2 or 3/2 way Rocker-Solenoid Valve with separating diaphragm	▶
	<b>Type 8619</b> multiCELL - multi-channel/multi-function transmitter/controller	▶

#### Type description

Type 8718 is a device for liquid flow control in process technology. The measured value provided by the sensor will be compared in the digital control electronics with the predefined set point according to the signal; if a control difference is present, the control value output to the proportional valve will be modified using a PI-control algorithm. In this way, the flow can be maintained at a fixed value or a predefined profile can be followed, regardless of pressure variations or other changes in the system. As a control element, a proportional valve working at low friction guarantees a high sensitivity and the good control characteristics of the unit.

Phase out

## Table of contents

<b>1. General technical data</b>	<b>3</b>
<hr/>	
<b>2. Approvals and conformities</b>	<b>4</b>
2.1. General notes .....	4
2.2. Conformity .....	4
2.3. Standards .....	4
<hr/>	
<b>3. Materials</b>	<b>4</b>
3.1. Bürkert resistApp .....	4
<hr/>	
<b>4. Dimensions</b>	<b>5</b>
4.1. Threaded variant .....	5
4.2. Sub-base variant .....	6
<hr/>	
<b>5. Device/Process connections</b>	<b>7</b>
5.1. Analogue variant .....	7
5.2. Fieldbus variant .....	7
<hr/>	
<b>6. Product operation</b>	<b>8</b>
6.1. Measuring principle .....	8
<hr/>	
<b>7. Ordering information</b>	<b>8</b>
7.1. Bürkert eShop .....	8
7.2. Recommendation regarding product selection .....	8
7.3. Bürkert product filter .....	9
7.4. Ordering chart accessories .....	9
Overview of accessories .....	9
Adapter sketch .....	10

Phase out

## 1. General technical data

Product properties	
Dimensions	Standard variant: 107 × 115.5 × 28 mm (width × height × depth) Sub-base variant: 107 × 115.5 × 43 mm (width × height × depth) Further information can be found in chapter "4. Dimensions" on page 5.
Material	
Seal	FKM, EPDM or FFKM
Housing	PC (polycarbonate)
Base block	Stainless steel 1.4404
Total weight	Approx. 1000 g
LED display	Status indication: 1. Power 2. Communication (only in fieldbus variant), limit (only in analogue variant) 3. Error
Performance data	
Nominal flow range ( $Q_N$ )	1.5...36 l/h (25...600 ml/min) regarding water
Operating pressure <sup>1)</sup>	Max. 10 bar (145 psi) (depending on the nominal diameter of the proportional valve)
Measuring accuracy	± 1.5 % of reading ± 0.5 % FS (under calibration conditions to achieve best measurement results)
Repeatability	± 0.5 % FS
Measuring span	1:10
Response time ( $t_{95\%}$ )	< 500 ms
Electrical data	
Operating voltage	24 V DC
Power consumption	Max. 7.5 W (10 W with fieldbus variant)
Residual ripple	< 2 %
Voltage tolerance	± 10 %
Electrical connection	Plug Sub-D, 15-pin, Socket M12 (PROFIBUS), 5-pin Plug M12 (CANopen), 5-pin
Medium data	
Operating medium	Clean and low-viscosity liquids
Calibration medium	Water (conversion to operating medium with correction function)
Medium temperature	- 10 °C...+ 40 °C
Viscosity	0.4...4 cSt
Process/Port connection & communication	
Digital outputs	1 relay output: 1. Limit (desired value can not be reached) Loading capacity: max. 25 V, 1 A, 25 VA
Digital inputs	2 switching inputs: 1. Start Autotune 2. Open valve (for purging)
Digital communication interface	Digitally via fieldbus: • PROFIBUS DPV1 • CANopen
Analogue interfaces	4...20 mA, 0...20 mA, 0...10 V or 0...5 V Input impedance > 20 kΩ (voltage) resp. < 300 Ω (current) Maximum current: 10 mA (voltage output) Maximum load: 600 Ω (current output)
Port connection	G 1/8, NPT 1/8, G 1/4, NPT 1/4, sub-base
Approvals and conformities	
Protection class	IP40
Environment and installation	
Installation position	Horizontal or vertical
Ambient temperature	0 °C...+ 55 °C
Accessories	
Software	Mass Flow Communicator

1.) Overpressure to atmospheric pressure

## 2. Approvals and conformities

### 2.1. General notes

- The approvals and conformities listed below must be stated when making enquiries. This is the only way to ensure that the product complies with all required specifications.
- Not all available variants can be supplied with the below mentioned approvals or conformities.

### 2.2. Conformity

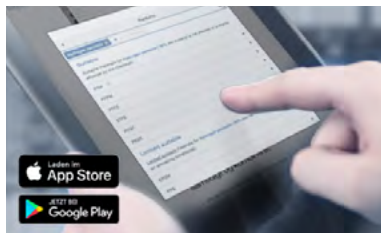
In accordance with the Declaration of Conformity, the product is compliant with the EU Directives.

### 2.3. Standards

The applied standards which are used to demonstrate compliance with the EU Directives are listed in the EU-Type Examination Certificate and/or the EU Declaration of Conformity.

## 3. Materials

### 3.1. Bürkert resistApp



#### Bürkert resistApp – Chemical resistance chart

You want to ensure the reliability and durability of the materials in your individual application case? Verify your combination of media and materials on our website or in our resistApp.

[Start chemical resistance check](#)

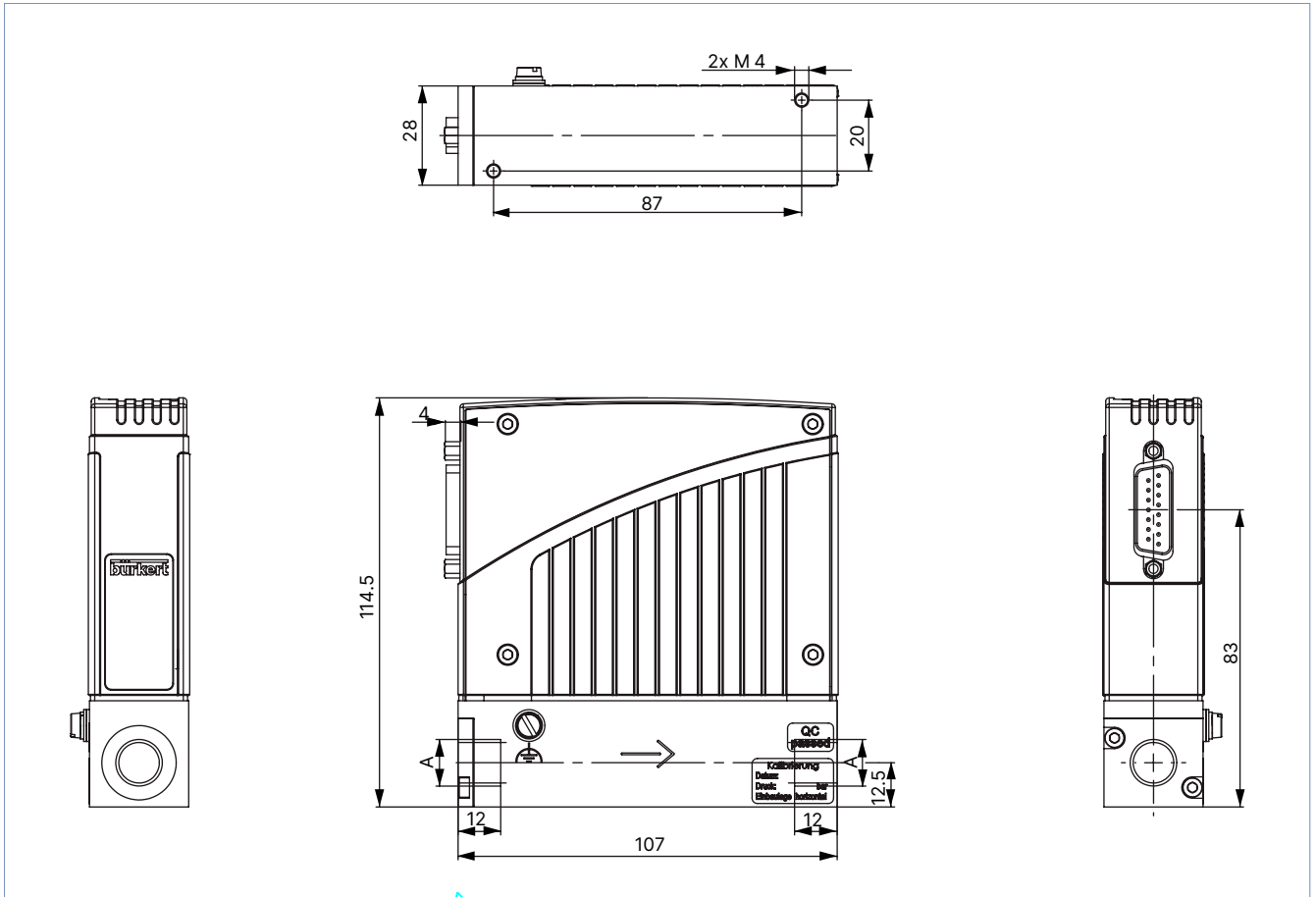
Phase out

## 4. Dimensions

### 4.1. Threaded variant

**Note:**

- Dimensions in mm
- In devices without fieldbus communication there is no electrical M12 connector in the upper housing part.



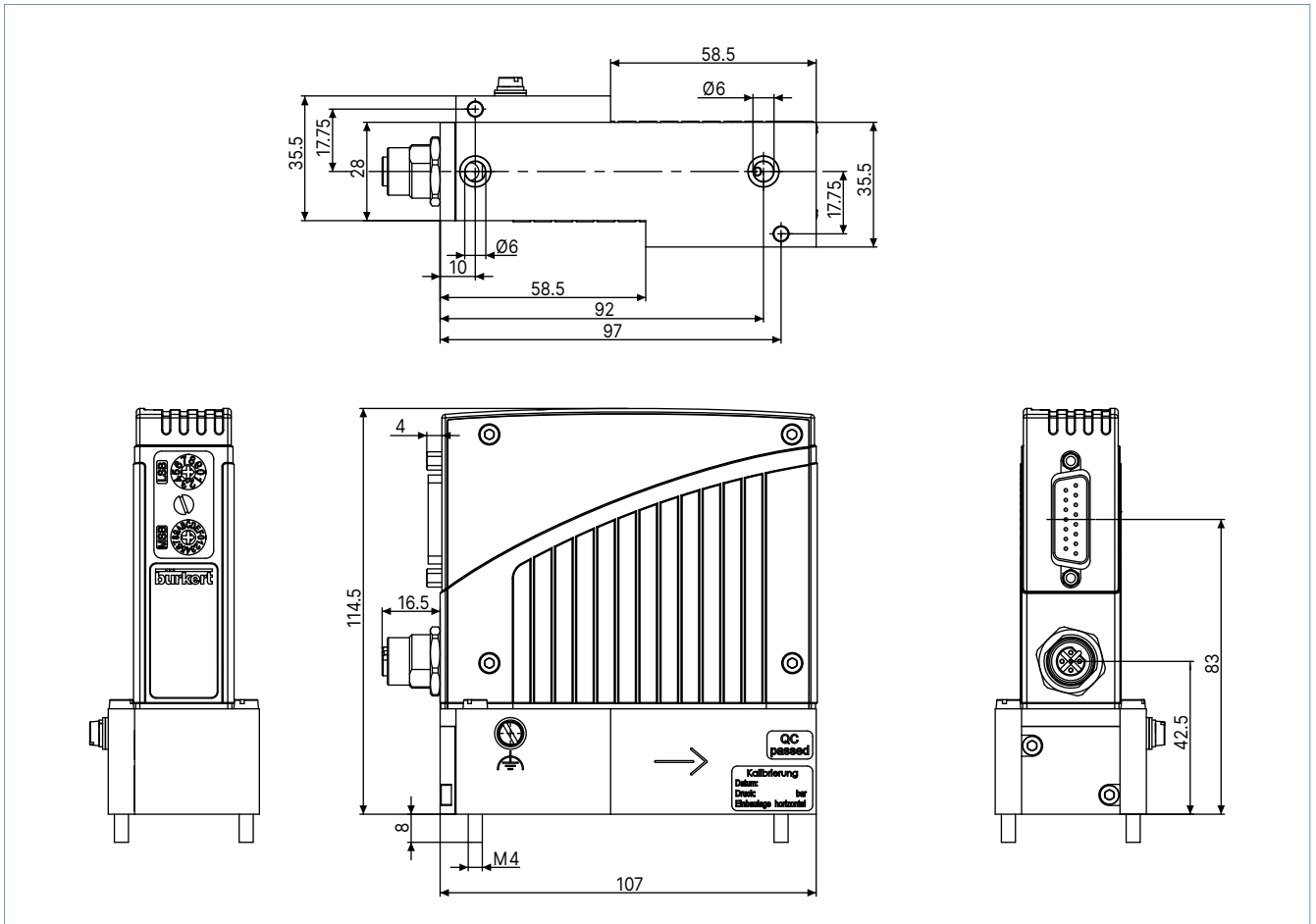
Size A	
G 1/8	G 1/4
NPT 1/8	NPT 1/4

Phase Out

4.2. Sub-base variant

Note:

- Dimensions in mm
- In devices without fieldbus communication there is no electrical M12 connector in the upper housing part.



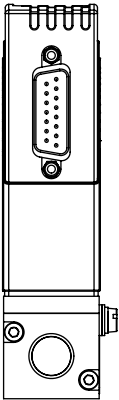
Size A	
G 1/8	G 1/4
NPT 1/8	NPT 1/4

Phase out

DTS 1000116955 EN Version: K Status: PO (Phase out) | Phase out | printed: 25.02.2025

## 5. Device/Process connections

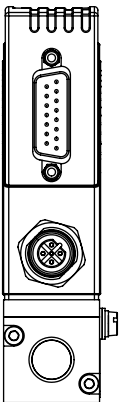
### 5.1. Analogue variant



Plug D-Sub, 15-pin	Pin	Assignment	
		Analogue control unit	Bus actuation
	1	Relay – normally closed contact	
	2	Relay – normally open contact	
	3	Relay – middle contact	
	4	GND for 24 V supply and binary inputs	
	5	24 V supply +	
	6	Only for in-plant use	
	7	Not connected	Not connected
	8	Not connected	Not connected
	9	Actual value output GND	Not connected
	10	Actual value output +	Not connected
	11	DGND (for RS232) <sup>1)</sup>	
	12	Binary input 1	
	13	Binary input 2	
	14	RS232 RxD (without driver) <sup>1)</sup>	
	15	RS232 TxD (without driver) <sup>1)</sup>	

1.) RS232 communication is only possible when using an RS232 adapter, see "7.4. Ordering chart accessories" on page 9.

### 5.2. Fieldbus variant



PROFIBUS DPV1 – socket B-coded M12 (DPV1 max. 12 Mbaud)	Pin	Assignment
	1	VDD (only for termination resistor)
	2	RxD/TxD – N (A-Line)
	3	DGND
	4	RxD/TxD – P (B-Line)
	5	Not connected

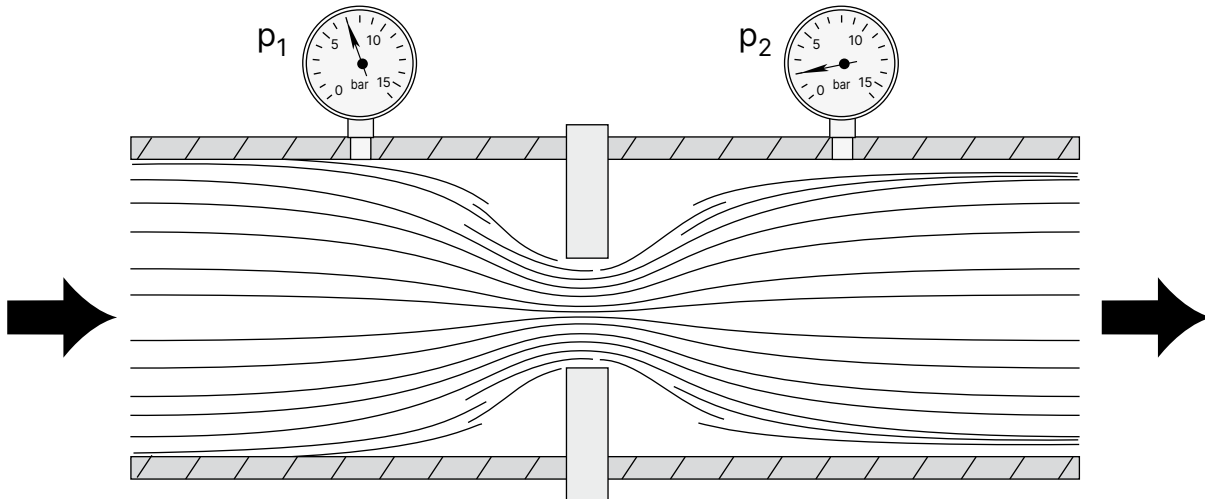
CANopen – Plug M12	Pin	Assignment
	1	Shielding
	2	Not connected
	3	DGND
	4	CAN_H
	5	CAN_L

Phase out

## 6. Product operation

### 6.1. Measuring principle

- The sensor measures the flow by means of differential pressure. An orifice in the main channel causes pressure loss at liquid flow which is measured by the differential pressure sensor. The sensor feedbacks a precise and temperature compensated signal out of which the electronics calculates the corresponding flow.
- To avoid a blockage of the aperture by contaminated mediums an upstream filter is recommended.



## 7. Ordering information

### 7.1. Bürkert eShop



#### Bürkert eShop – Easy ordering and quick delivery

You want to find your desired Bürkert product or spare part quickly and order directly? Our online shop is available for you 24/7. Sign up and enjoy all the benefits.

[Order online now](#)

### 7.2. Recommendation regarding product selection

#### Note:

Contact your Bürkert partner for device design.

The decisive factors for the perfect functioning of an LFM within the application are the fluid compatibility, the pressure range and the correct choice of the flow meter range. The pressure loss over the LFM averages in typical applications approx. 500 mbar, with up to 2 bar inlet pressure (overpressure to atmospheric pressure). The specification of the inlet pressure,  $p_{max}$ , which can be expected is necessary for the selection of the suitable differential pressure sensor.



### 7.3. Bürkert product filter



#### Bürkert product filter – Get quickly to the right product

You want to select products comfortably based on your technical requirements? Use the Bürkert product filter and find suitable articles for your application quickly and easily.




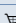
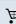

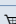
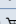



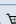
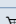


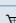
[Try out our product filter](#)

### 7.4. Ordering chart accessories

#### Overview of accessories

##### Note:

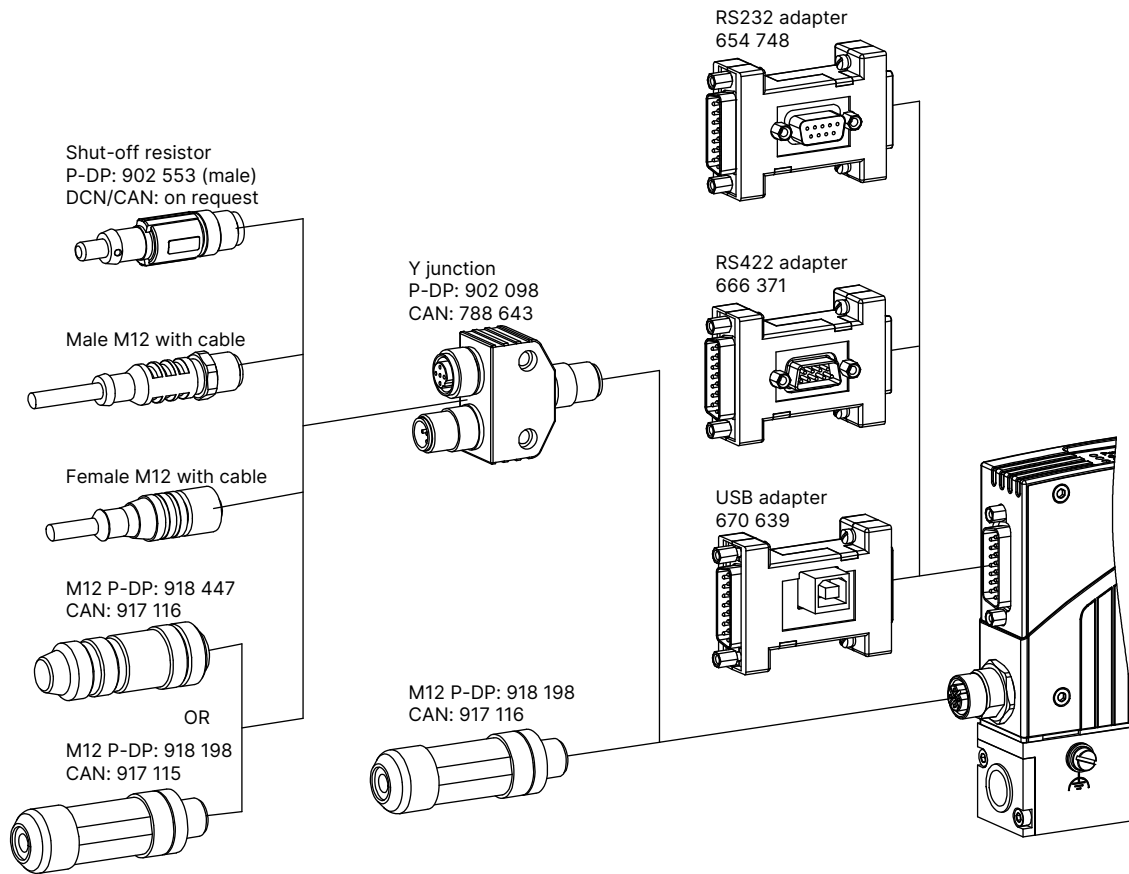
The adapters serve mainly for initial operation or diagnosis. Those are not obligatory for continuous operation.

Description	Article no.
<b>Connections/cables</b>	
D-Sub socket, 15-pin, soldered connection	918274 
Bonnet for D-Sub socket, with screw lock	918408 
D-Sub socket with cable, 15-pin, cable length: 5 m, assembled on one side	787737 
D-Sub socket with cable, 15-pin, cable length: 10 m, assembled on one side	787738 
<b>Adapters<sup>1)</sup></b>	
RS232 adapter	654748 
PC extension cable for RS232 9-pin socket/plug 2 m	917039 
RS422 adapter (RS485 compatible)	666371 
USB adapter	670639 
USB connection cable, cable length: 2 m	772299 
<b>Accessories for fieldbus</b>	
<b>PROFIBUS DPV1 (B-coded)</b>	
M12 plug, 5-pin, straight, B-coded <sup>2)</sup>	918198 
M12 socket (coupling), straight <sup>2)</sup>	918447 
Y-distributor <sup>2)</sup>	902098 
PROFIBUS terminating resistor, M12 plug, B-coded	902553 
GSD file (PROFIBUS), EDS file (CANopen)	<b>LINK ▶</b>
<b>CANopen (A-coded)</b>	
Plug M12 <sup>2)</sup>	917115 
M12 circular socket with plastic threaded clamping ring, 5-pin, straight, to be wired <sup>2)</sup>	917116 
Y push-in connector, M12, 5-pin, LUM <sup>2)</sup>	788643 
Terminating resistor	On request
GSD file (PROFIBUS), EDS file (CANopen)	<b>LINK ▶</b>

1.) The adapters serve mainly for initial operation or diagnosis. Those are not obligatory for continuous operation.

2.) For space reasons, M12 individual cable plugs may not be suitable for simultaneous use on the same side as a Y distributor. Use a commercially available covered cable in this case.

Adapter sketch



Phase out

DTS 1000116955 EN Version: K Status: PO (Phase out | Phase out | Phase out) printed: 25.02.2025