




Mass flow controller for gases (MFC)

- Nominal flow ranges from 0.010 l/min to 80 l/min
- High accuracy and repeatability
- Very fast settling times
- Digital communication via RS485
- Compact variant



Product variants described in the data sheet may differ from the product presentation and description.

Can be combined with

	Type 6013 Plunger valve 2/2-way direct-acting	▶
	Type 0330 Direct-acting 2/2 or 3/2-way pivoted armature valve	▶
	Type 6027 Direct-acting 2/2-way plunger valve	▶

Type description

The mass flow controller (MFC) Type 8713 is suited for regulating the mass flow of gases over a big flow range. The thermal MEMS sensor is located directly in the gas stream and therefore reaches very fast response times. A direct-acting proportional valve from Bürkert guarantees a high sensitivity. The integrated PI controller ensures outstanding control characteristics of the MFC. Type 8713 can optionally be calibrated for two different gases; the user can switch between these two gases. The communication with master devices is fully digital, therefore no further analog/digital conversions are needed.

The mass flow controller Type 8713 fits for various applications, like e.g. burner controls, heat treatment, material coatings, bio reactors, fuel cell technology or test benches.

Table of contents

1. General technical data	3
2. Approvals and conformities	4
2.1. General notes	4
2.2. Conformity	4
2.3. Standards	4
2.4. North America (USA/Canada)	4
2.5. Foods and beverages/Hygiene	4
2.6. Oxygen	4
3. Materials	5
3.1. Bürkert resistApp	5
4. Dimensions	5
4.1. Threaded variant	5
4.2. Sub-base variant	6
4.3. Variant with external valve	7
5. Device/Process connections	7
6. Performance specifications	8
6.1. Pressure loss diagram (MFM)	8
7. Product operation	8
7.1. Measuring principle	8
7.2. Flow characteristic	9
Nominal flow range of typical gases	9
7.3. Networking	9
8. Ordering information	9
8.1. Bürkert eShop	9
8.2. Recommendation regarding product selection	10
8.3. Bürkert product filter	10
8.4. Ordering chart accessories	10

1. General technical data

Product properties	
Dimensions	Further information can be found in chapter "4. Dimensions" on page 5.
Material	
Seal	FKM, EPDM
Housing	Stainless steel sheet 1.4301
Base block	Aluminium or stainless steel 1.4305
Total weight	Approx. 500 g (aluminium)
LED display	Staus indication: 1. Power 2. Communication (only in fieldbus variant), limit (only in analogue variant) 3. Error
Performance data	
Nominal flow range (Q_N) ¹⁾	10...80 l/min regarding N_2 ²⁾ Further information can be found in chapter "7.2. Flow characteristic" on page 9.
Operating pressure ³⁾	Max. 10 bar (145 psi) (depending on the nominal diameter of the control valve)
Measuring accuracy	± 0.8 % of reading ± 0.3 % FS (under calibration conditions and after 1 min warm-up time to achieve best measurement results)
Repeatability	± 0.1 % FS
Measuring span	1:50 (higher measuring span on request)
Response time ($t_{95\%}$)	< 300 ms
Actuator (normally closed)	
Valve orifice	0.05...4 mm
K_{vs} value range	0.00006...0.32 m ³ /h
Electrical data	
Operating voltage	24 V DC
Power consumption	Max. 5...11.5 W (depending on proportional valve)
Residual ripple	< 2 %
Voltage tolerance	± 10 %
Electrical connection	D-Sub plug, 9-pin
Medium data	
Operating medium	Neutral, pure gases (others on request)
Calibration medium	Operating gas or air (with conversion factor)
Medium temperature	- 10 °C... + 70 °C (- 10 °C... + 60 °C with oxygen)
Process/Port connection & communication	
Digital outputs	1 relay output: 1. Limit (desired value cannot be reached) Loading capacity: max. 25 V, 1 A, 25 VA
Digital inputs	1 digital input: 1. Start Autotune
Digital communication interface	Digitally via RS485 (half-duplex or full-duplex), RS422
Port connection	G ¼, NPT ¼, sub-base, screw-in fitting (others on request)
Approvals and conformities	
Protection class	IP40
Environment and installation	
Installation position	Horizontal or vertical
Ambient temperature	- 10 °C... + 50 °C ³⁾
Accessories	
Software	Mass Flow Communicator

1.) The nominal flow value is the maximum flow value calibrated which can be measured. The nominal flow range defines the range of nominal flow rates (full scale values) possible.

2.) Index N: flow rates referred to 1.013 bar abs and 0 °C. Alternatively there is an Index S available which refers to 1.013 bar abs and + 20 °C.

3.) Overpressure to atmospheric pressure

4.) When an internal 5 W valve is used: max. + 40 °C.

2. Approvals and conformities

2.1. General notes

- The approvals and conformities listed below must be stated when making enquiries. This is the only way to ensure that the product complies with all required specifications.
- Not all available variants can be supplied with the below mentioned approvals or conformities.


2.2. Conformity

In accordance with the Declaration of Conformity, the product is compliant with the EU Directives.


2.3. Standards

The applied standards which are used to demonstrate compliance with the EU Directives are listed in the EU-Type Examination Certificate and/or the EU Declaration of Conformity.


2.4. North America (USA/Canada)

Approval	Description
	Optional: UL Listed for the USA and Canada The products are UL Listed for the USA and Canada according to: <ul style="list-style-type: none"> • UL 61010-1 (ELECTRICAL EQUIPMENT FOR MEASUREMENT, CONTROL, AND LABORATORY USE – Part 1: General Requirements) • CAN/CSA-C22.2 No. 61010-1

2.5. Foods and beverages/Hygiene

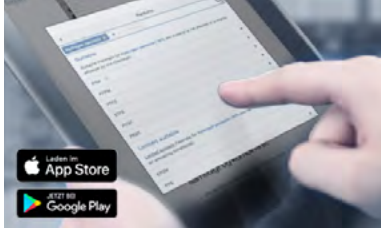
Conformity	Description
FDA	FDA – Code of Federal Regulations (valid for variable code PL02, PL03) All wetted materials are compliant with the Code of Federal Regulations published by the FDA (Food and Drug Administration, USA) according to the manufacturer's declaration.
USP	United States Pharmacopeial Convention (USP) (valid for variable code PL04) All wetted materials are biocompatible according to the manufacturer's declaration.
	EC Regulation 1935/2004 of the European Parliament and of the Council (valid for variable code PL01, PL02) All wetted materials are compliant with EC Regulation 1935/2004/EC according to the manufacturer's declaration.

2.6. Oxygen

Conformity	Description
	Optional: Suitability for oxygen (valid for the variable code NL02) The products are suitable for use with gaseous oxygen, according to the manufacturer's declaration.

3. Materials

3.1. Bürkert resistApp



Bürkert resistApp – Beständigkeitstabelle

Sie möchten die Zuverlässigkeit und Langlebigkeit der Werkstoffe in Ihrem individuellen Anwendungsfall sicherstellen? Verifizieren Sie Ihre Kombination aus Medien und Werkstoffen auf unserer Website oder in unserer resistApp.

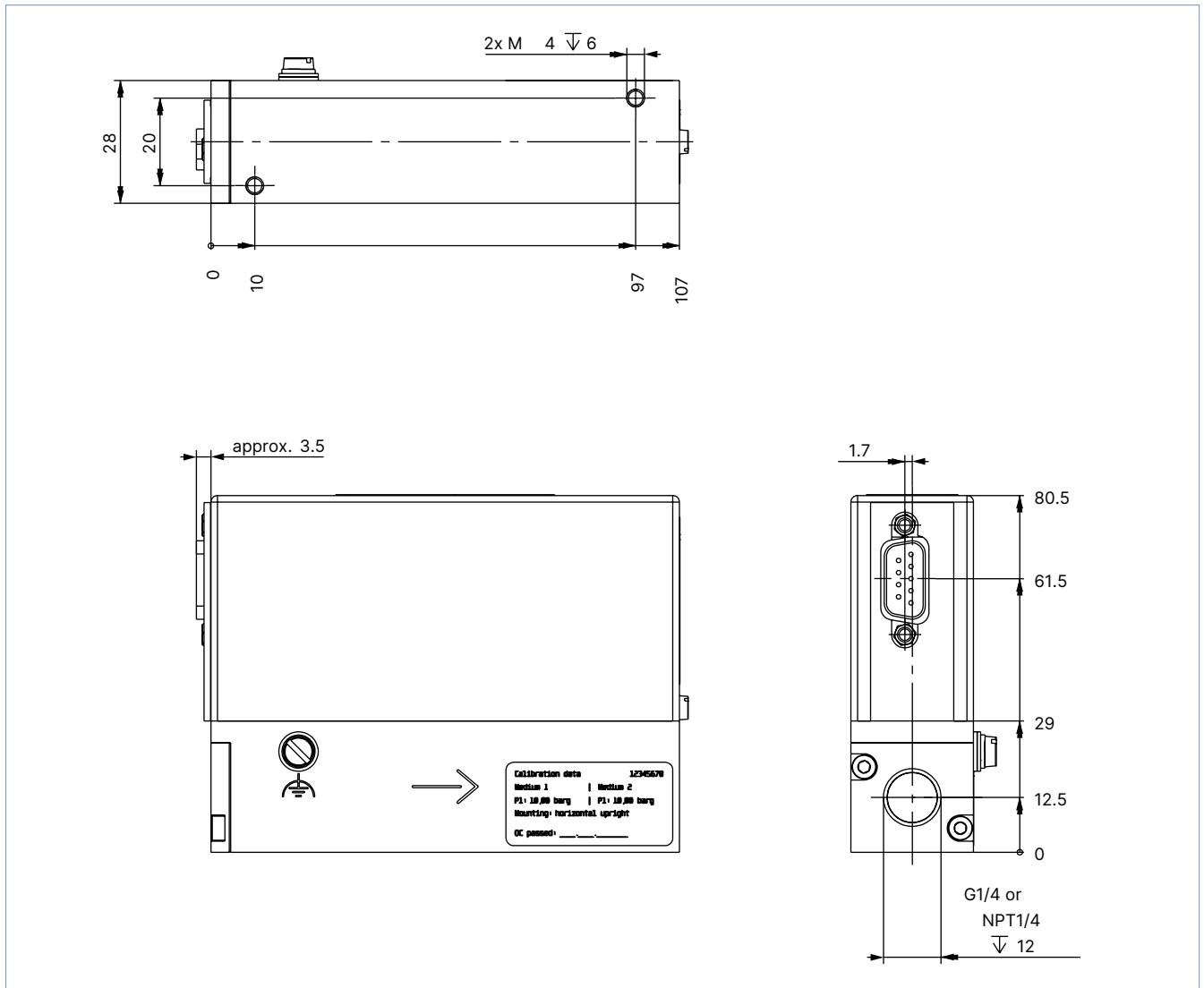
[Jetzt chemische Beständigkeit prüfen](#)

4. Dimensions

4.1. Threaded variant

Note:

Dimensions in mm

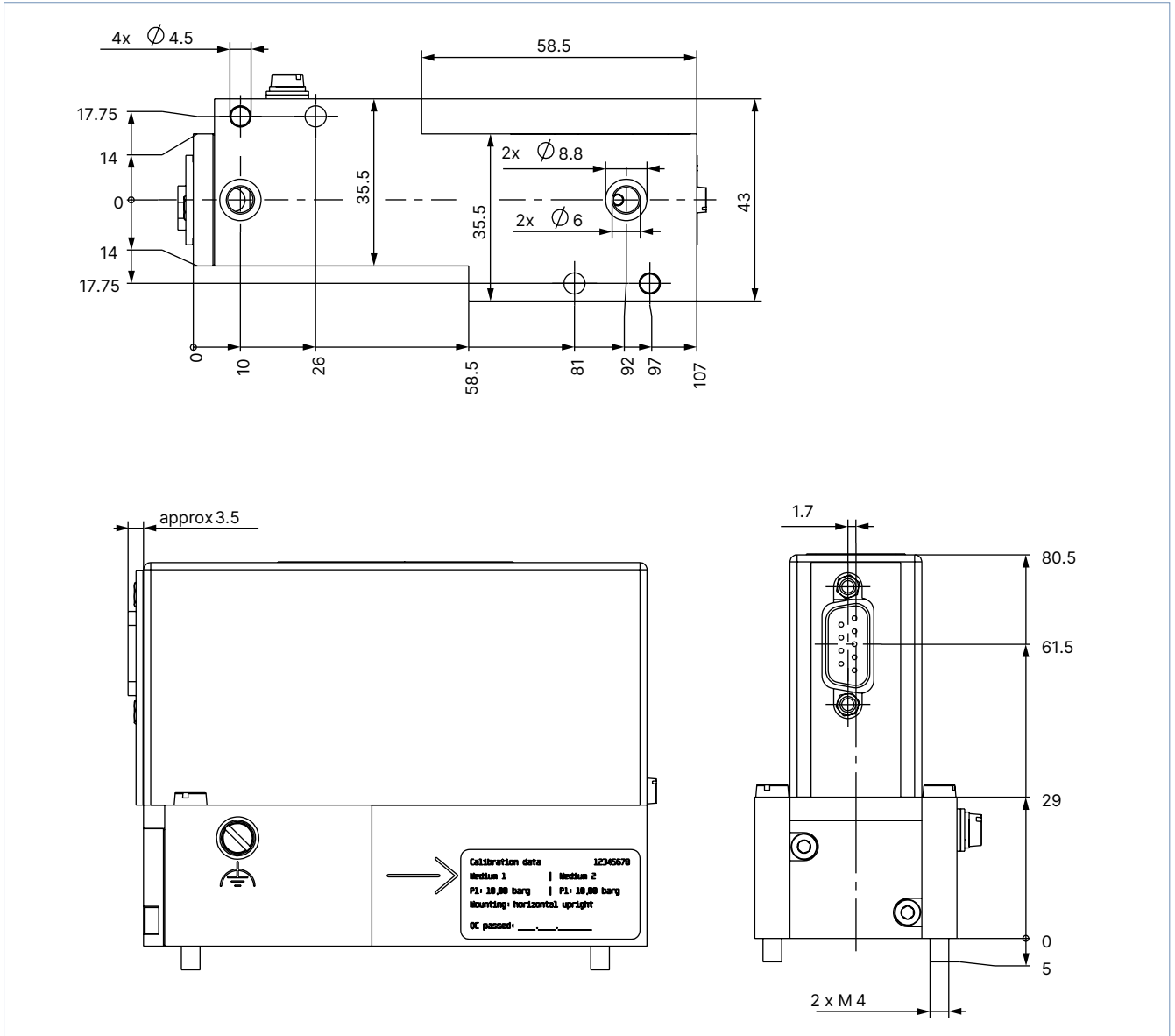


DTS 1000085466 EN Version: | Status: RL (released | freigegeben | validé) printed: 01.10.2024

4.2. Sub-base variant

Note:

Dimensions in mm

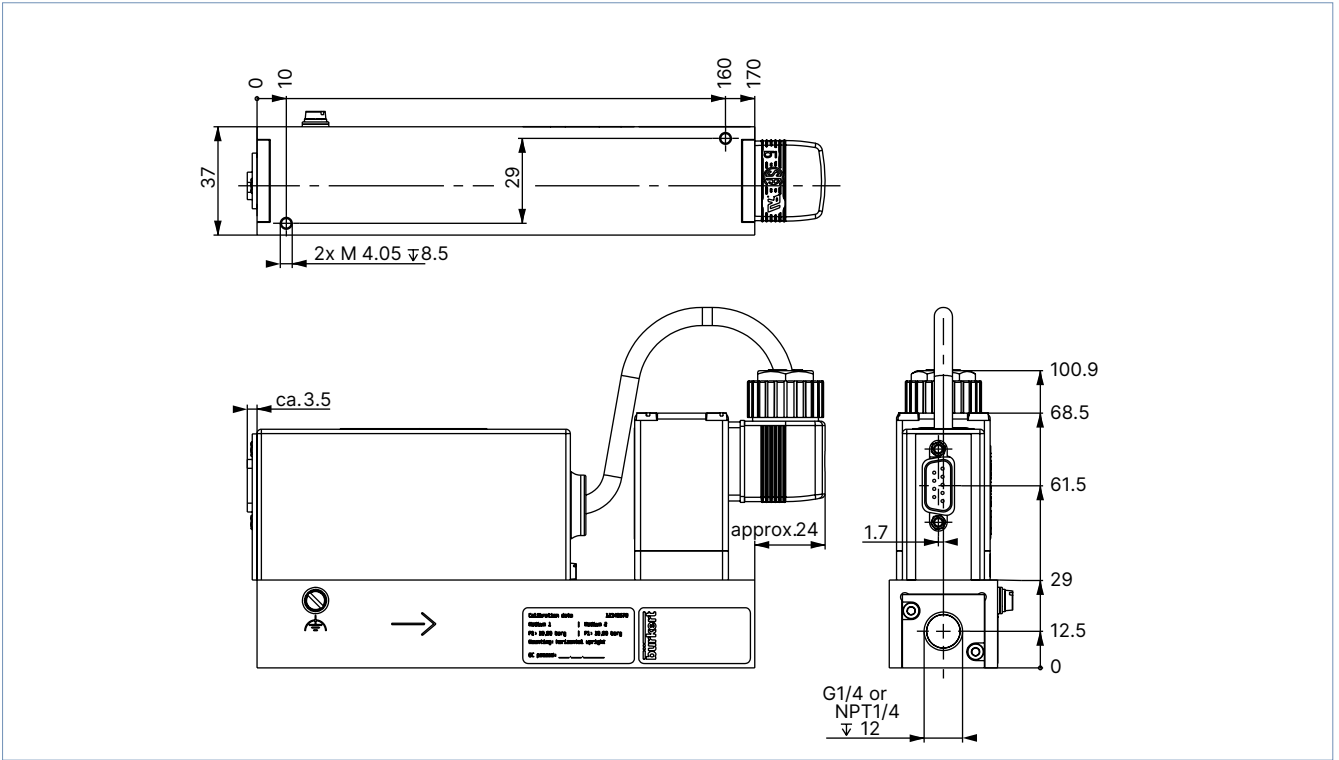


DTS 1000085466 EN Version: | Status: RL (released | freigegeben | validé) printed: 01.10.2024

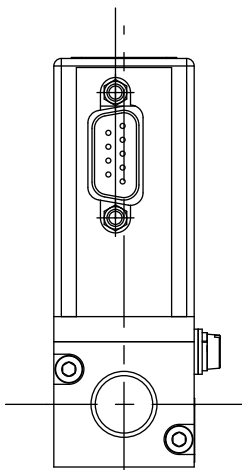
4.3. Variant with external valve

Note:

Dimensions in mm



5. Device/Process connections



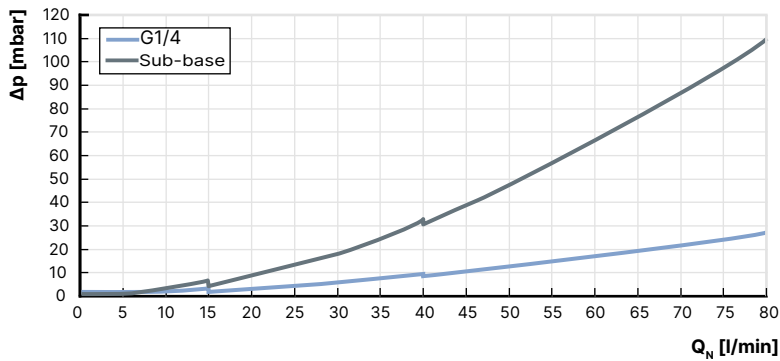
Plug D-Sub, 9-pin	Pin	Assignment
Analogue control unit		
	1	Binary input (related to GND Pin2)
	2	GND
	3	Power supply 24 V DC
	4	Relay – normally open contact
	5	Relay – normally closed contact
	6	TX+ (RS485-Y) – bridge with pin 9 at half duplex
	7	TX- (RS485-Z) – bridge with pin 8 at half duplex
	8	RX- (RS485-B)
	9	RX+ (RS485-A)

1.) RS232 communication is only possible when using an RS232 adapter, see "8.4. Ordering chart accessories" on page 10.

6. Performance specifications

6.1. Pressure loss diagram (MFM)

The diagram shows an example of the pressure loss curves for air flow. To determine the pressure loss of another gas, it must first be converted to the corresponding air flow rate and the fluidics used for the other gas must be taken into account.

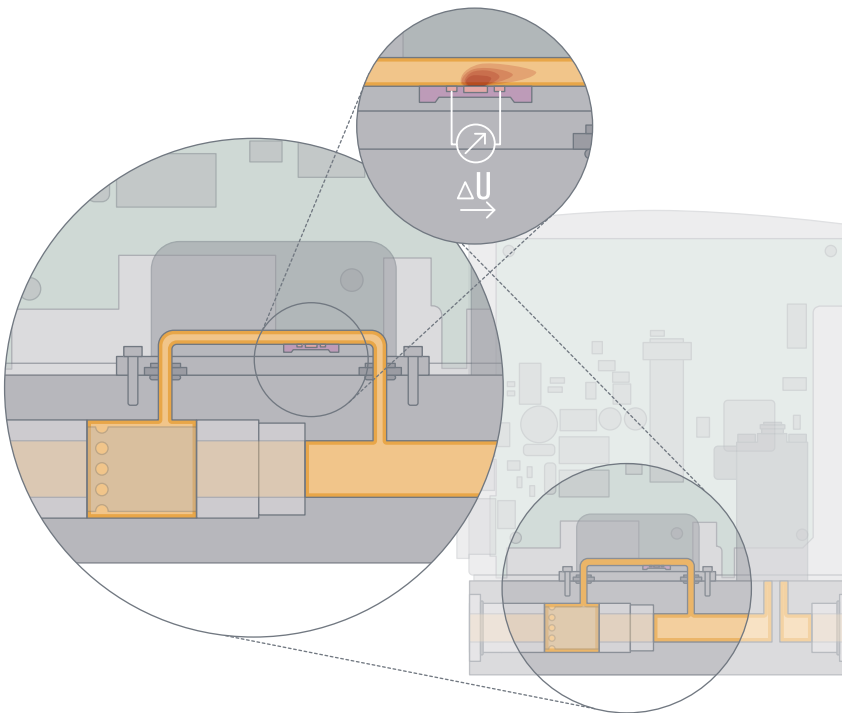


7. Product operation

7.1. Measuring principle

Measurement takes place via bypass. A laminar flow element (LFE) in the main channel creates a low pressure drop. A part of the gas flow is thereby directed into a side channel. A sensor measures the mass flow as temperature difference. The measurement is performed in a specially shaped flow channel whose wall contains a Si chip with an etched membrane. A heating resistor and 2 temperature sensors, one upstream and one downstream, are placed on this membrane.

If the heating resistor is fed with a constant voltage, the differential voltage of the temperature sensors indicate the gas flow over the chip.



7.2. Flow characteristic

Nominal flow range of typical gases

Note:

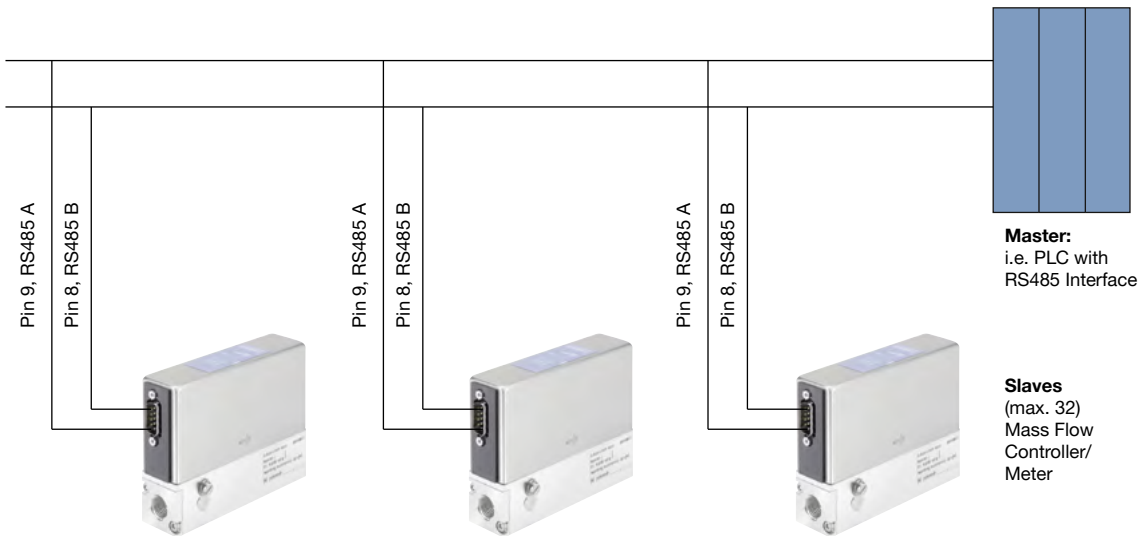
- $Q(\text{Gas}) = f \times Q(\text{N}_2)$
- When using the gas factors, measurement errors may occur that are outside the data sheet specification. For applications requiring high accuracy, calibration under field conditions is recommended.
- Furthermore, the media compatibility of the sealing materials of the MFM should be checked before use with another gas.

Gas	Min. Q_N	Max. Q_N
	[l/min]	[l/min]
Argon	0.01	80
Helium	0.01	500
Carbon dioxide	0.02	40
Air	0.01	80
Methane	0.01	80
Oxygen	0.01	80
Nitrogen	0.01	80
Hydrogen	0.01	500

7.3. Networking


Note:

To install the software, click [here](#) ▶.



8. Ordering information

8.1. Bürkert eShop



Bürkert eShop – Easy ordering and quick delivery

You want to find your desired Bürkert product or spare part quickly and order directly? Our online shop is available for you 24/7. Sign up and enjoy all the benefits.

[Order online now](#)


8.2. Recommendation regarding product selection

Note:

Contact your Bürkert partner for device design.

The media compatibility, the maximum inlet pressure and the correct selection of the flow measuring span are decisive for the proper function of an MFM within the application. The pressure loss across the MFM depends on the nominal flow rate and operating pressure.

8.3. Bürkert product filter



Bürkert product filter – Get quickly to the right product

You want to select products comfortably based on your technical requirements? Use the Bürkert product filter and find suitable articles for your application quickly and easily.

[Try out our product filter](#)

8.4. Ordering chart accessories

Note:

The adapters serve mainly for initial operation or diagnosis. Those are not obligatory for continuous operation.

Description	Article no.
Connections/cables	
Socket D-Sub, 9-pin, solder connection	917623
Adapter accessories	
USB adapter	670693
USB connection cable, cable length: 2 m	772299

DTS 1000085466 EN Version: | Status: RL (released | freigegeben | valide) printed: 01.10.2024