



Conductivity meter, ELEMENT design

- Perfect for clean water and slightly concentrated liquids
- Compact measuring device for direct connection to the control level (PLC) via analogue 4...20 mA signal or digital IO-Link or Bürkert system bus (büS)/CANopen communication
- Parametrisation, calibration and transfer of parametrisation data all possible thanks to a removable display/configuration module
- Simulation of process values for diagnostics
- Universal process connection, three different cell constants to cover a wide range of applications such as reverse osmosis

Product variants described in the data sheet may differ from the product presentation and description.

Can be combined with

	Type 8611 eCONTROL – Universal controller	▶
	Type 8619 multiCELL – multi-channel/multi-function transmitter/controller	▶
	Type 8693 Digital electropneumatic process controller for integrated mounting on process control valves	▶
	Type 8802 ELEMENT continuous control valve systems – overview	▶
	Type S022 Insertion adapter/fitting for ELEMENT analytical measuring devices	▶

Type description

The Bürkert conductivity meter Type 8222 is designed for measuring the conductivity of liquids.

The sensor element comprises a two-electrode cell and a Pt1000 temperature probe. The sensor itself is available with three different cell constants C. Sensors with C= 0.01 or 0.1 cm⁻¹ are fitted with stainless steel electrodes, while those with C= 1.0 cm⁻¹ are fitted with graphite electrodes. Thanks to the design of the measuring device, Bürkert has simplified installation and maintenance work.

The Type 8222 device is available in two variants.

The first one, the so-called ELEMENT standard, is proposed with either three adjustable outputs (two digital outputs and one analogue output) or four adjustable outputs (two digital and two analogue), and can be equipped with a display. The display is only required for start-up, configuration (e.g. measuring range, units, calibration, limit values) and for process value display.

The second variant, the so-called ELEMENT neutrino, is a 2-wire device without display, equipped either with a 4...20 mA current output or with a digital communication mode via IO-Link or büS (Bürkert system bus based on CANopen).

Both variants are available with a G 1½ union nut for installation in an adapter with a G 1½ external thread sensor connection that is connected to the process. The ELEMENT neutrino variant is also available with a G ¾ external thread for screwing into an adapter with a G ¾ internal thread sensor connection.

The Type 8222 device converts the measuring signal and calculates the output signals. For the ELEMENT standard variant, these signals are provided via one or two M12 plug connectors, while for the ELEMENT neutrino variant, they are provided via one M12 plug connector or on a terminal strip via a cable gland. The device in the ELEMENT standard variant shows several values in different measurement units (if a display is mounted).

DTS 1000114221 EN Version: W Status: RL (released | freigegeben | valide) printed: 17.04.2026

Table of contents

1. General technical data	4
1.1. About the device.....	4
1.2. All variants.....	4
1.3. ELEMENT standard variant.....	6
1.4. ELEMENT neutrino variant.....	8
2. Approvals and conformities	10
2.1. General notes.....	10
2.2. Conformity.....	10
2.3. Standards.....	10
2.4. Pressure Equipment Directive (PED).....	10
Device used in a pipe.....	10
Device used in a vessel.....	10
2.5. North America (USA/Canada).....	10
2.6. Foods and beverages/Hygiene.....	11
3. Materials	11
3.1. Bürkert resistApp.....	11
3.2. Material specifications.....	11
ELEMENT standard variant.....	11
ELEMENT neutrino variant.....	12
4. Dimensions	13
4.1. ELEMENT standard variant.....	13
4.2. ELEMENT neutrino variant.....	14
With a G 1½ union nut connection.....	14
With a G ¾ external threaded connection.....	14
5. Performance specifications	15
5.1. Pressure temperature diagram.....	15
ELEMENT standard and ELEMENT neutrino variants.....	15
ELEMENT standard and ELEMENT neutrino variants installed with a Type S022 adapter.....	15
6. Product installation	16
6.1. Installation notes.....	16
7. Product operation	17
7.1. Measurement principle.....	17
8. Product design and assembly	18
8.1. Product assembly.....	18
9. Product accessories	19
10. Networking and combination with other Bürkert products	19
11. Ordering information	20
11.1. Bürkert eShop.....	20
11.2. Recommendation regarding product selection.....	20
11.3. Bürkert product filter.....	20
11.4. Ordering chart.....	21
ELEMENT standard variant.....	21

DTS 1000114221 EN Version: W Status: RL (released | freigegeben | valide) printed: 17.04.2026

	ELEMENT neutrino variant with a 4...20 mA output.....	22
	ELEMENT neutrino variant with digital communication.....	23
11.5.	Ordering chart accessories.....	24

1. General technical data

1.1. About the device

The conductivity measuring device consists of a sensor available with three cell constants C plugged-in and pinned to the transmitter. The device is available in an ELEMENT standard variant or in an ELEMENT neutrino variant. The process connection of both variants is made via a G 1½ union nut in PVC or PVDF; or for the ELEMENT neutrino variant via a G ¾ thread.

The ELEMENT standard variant is available with up to two 4...20 mA analogue outputs or with up to two transistor outputs. The ELEMENT neutrino variant is available with a 4...20 mA analogue output or with digital communication.

The device with digital communication features a status indicator on the cover, and is available with either a metal housing (metallic variant) or a plastic housing (all-plastic variant). The all-plastic variant is intended for corrosive environmental conditions, like those found in the electronic and semiconductor industry market.

The metallic variant is provided with digital IO-Link and bÜS communication (Bürkert system bus, CANopen-based), while the all-plastic variant features digital IO-Link communication only (bÜS is available only for service activities such as configuration or calibration).

1.2. All variants

Note:

- The following data applies to all variants mentioned above.
- If the device is mounted in a humid environment or outside, then the maximum voltage allowed is **35 V DC** instead of 36 V DC.

Product properties

Material

Make sure the device materials are compatible with the fluid you are using. Further information can be found in chapter **"3.1. Bürkert resistApp" on page 11.**

Further information on the materials can be found in chapter **"3.2. Material specifications" on page 11.**

Wetted parts

Probe holder	PVDF, stainless steel 1.4571 (316Ti)
Electrode	For cell constant: <ul style="list-style-type: none"> • C = 0.01 cm⁻¹: stainless steel 1.4571 (316Ti) • C = 0.1 cm⁻¹: stainless steel 1.4571 (316Ti) • C = 1 cm⁻¹: graphite
Compatibility	With any pipe which is fitted with Bürkert S022 adapter. See data sheet Type S022 ▶ for more information.
Pipe diameter	DN 32...DN 110 (DN 06...DN 25 under specific conditions, i.e. when using reducers)
Dimensions	Further information can be found in chapter "4. Dimensions" on page 13.
Probe	With cell constant <ul style="list-style-type: none"> • C = 0.01 cm⁻¹ • C = 0.1 cm⁻¹ • C = 1 cm⁻¹
Temperature sensor	Pt1000 integrated within the probe holder

Measuring range

Conductivity measurement	0.05 µS/cm...10 mS/cm
Temperature measurement	- 20...+ 100 °C (- 4...+ 212 °F)

Performance data

Conductivity measurement

Measurement deviation	± 3 % of measured value
Measuring range resolution	1 nS/cm

Temperature measurement

Measurement deviation	± 1 °C (1.8 °F)
4...20 mA output uncertainty	± 1 % of current range

Electrical data

Power source (not supplied)	Limited power source according to UL/EN 62368-1 standards or limited energy circuit according to UL/EN 61010-1 paragraph 9.4
DC reverse polarity protection	Yes
Overvoltage protection	Yes

Medium data

Fluid temperature	Device with <ul style="list-style-type: none"> • G 1½ PVC union nut connection: 0...+ 50 °C (+ 32...+ 122 °F) • G 1½ PVDF union nut connection (on request for ELEMENT neutrino variant): - 20...+ 100 °C (- 4...+ 212 °F) restricted by the used adapter Restriction with adapter S022 in: <ul style="list-style-type: none"> - PVC: 0...+ 50 °C (+ 32...+ 122 °F) - PP: 0...+ 80 °C (+ 32...+ 176 °F) - metal: - 20...+ 100 °C (- 4...+ 212 °F)
-------------------	--

Fluid pressure ¹⁾	Max. PN 16 (232 PSI) Further information can be found in chapter "5.1. Pressure temperature diagram" on page 15 (depends on selected probe).
------------------------------	--

Product connections

Process connection	G 1½ internal thread for use with Type S022 adapter See data sheet Type S022 ▶ for more information.
--------------------	--

Approvals and conformities

Directives

CE directive	Further information on the CE directive can be found in chapter "2.3. Standards" on page 10.
Pressure equipment directive	Complying with article 4, paragraph 1 of 2014/68/EU directive Further information on the pressure equipment directive can be found in chapter "2.4. Pressure Equipment Directive (PED)" on page 10.

North America (USA/Canada)	UL Recognized for the USA and Canada
----------------------------	--------------------------------------

Environment and installation

Ambient temperature	Operation and storage: - 10...+ 60 °C (+ 14...+ 140 °F)
Relative air humidity	≤ 85 %, without condensation
Height above sea level	Max. 2000 m
Operating condition	Continuous
Equipment mobility	Fixed
Application range	Indoor and outdoor Protect the device against electromagnetic interference, ultraviolet rays and, when installed outdoors, against the effects of climatic conditions.
Installation category	Category I according to UL/EN 61010-1
Pollution degree	Degree 2 according to UL/EN 61010-1

1.) Not evaluated by UL

1.3. ELEMENT standard variant



Product properties

Material

Further information on the materials can be found in chapter [“3.2. Material specifications” on page 11.](#)

Non-wetted parts

Cover	Polycarbonate (PC), transparent (opaque on request)
Housing	Stainless steel 1.4404 (316L), PPS
Screw	Stainless steel 1.4401 (316 (A4))
Grounding terminal and screw	Stainless steel 1.4301 (304 (A2))
Union nut	PVC or PVDF
Display/configuration module	PC
Menu keys	PBT
Seal	EPDM, silicone
Fixed connector holder	PPS CF30
Fixed connector	Nickel-plated brass
Temperature compensation	<ul style="list-style-type: none"> • None or • According to a predefined graph <ul style="list-style-type: none"> – linear or – NaCl or – ultra pure water or • According to a graph defined especially for your process
Concentration	Conversion of conductivity to dissolved electrolyte concentration (Total dissolved solids, TDS) by using a user-adjustable factor

Product accessories

Display/configuration module	Grey dot matrix 128 × 64 with backlighting
------------------------------	--

Performance data

Conductivity measurement

Minimum scale	2 % of the full scale (i.e. for the sensor with C = 0.1: range from 100...104 µS corresponds to 4...20 mA current output)
---------------	---

Temperature measurement

Measuring range resolution	0.1 °C (0.18 °F)
Minimal scale	10 °C (i.e. + 10...+ 20 °C (+ 50...+ 68 °F) corresponds to 4...20 mA current output)

Electrical data

Operating voltage	<ul style="list-style-type: none"> • 3 outputs transmitter (2-wire) variant: 14...36 V DC, filtered and regulated • 4 outputs transmitter (3-wire) variant: 12...36 V DC, filtered and regulated Connection to main supply: permanent, through external SELV (Safety Extra Low Voltage) and LPS (Limited Power Source) power supply
Current consumption	With sensor <ul style="list-style-type: none"> • ≤ 1 A (with transistors load) • 3 outputs transmitter (2-wire) variant: ≤ 25 mA (at 14 V DC without transistors load, with current loop) • 4 outputs transmitter (3-wire) variant: ≤ 5 mA (at 12 V DC without transistors load, without current loop)

Output

Digital output	Transistor: <ul style="list-style-type: none"> • adjustable as sourcing or sinking (respectively both as PNP or NPN), open collector • max. 700 mA • 0.5 A max. per transistor if the 2 transistor outputs are wired • NPN-output: 0.2...36 V DC • PNP-output: Power supply • protected against overvoltage, polarity reversals and short circuit
Analogue output	Current: <ul style="list-style-type: none"> • 4...20 mA adjustable as sourcing or sinking (in the same mode as transistor) • response time (10 %...90 %): 150 ms (standard) • 1 current output (3 outputs transmitter (2-wire) variant) max. loop impedance: 1100 Ω at 36 V DC, 610 Ω at 24 V DC, 180 Ω at 14 V DC • 2 current outputs (4 outputs transmitter (3-wire) variant) max. loop impedance: 1100 Ω at 36 V DC, 610 Ω at 24 V DC, 100 Ω at 12 V DC
Voltage supply cable	The female M12 connector and/or the male M12 connector are not included in the delivery and must be ordered separately, see chapter "11.5. Ordering chart accessories" on page 24. For these connectors, use a shielded cable with: <ul style="list-style-type: none"> • diameter: 3...6.5 mm • cross section of wires: max. 0.75 mm²

Product connections

Electrical connection	<ul style="list-style-type: none"> • 3 outputs transmitter (2-wire) variant: 1 × 5-pin M12 male connector • 4 outputs transmitter (3-wire) variant: 1 × 5-pin M12 male and 1 × 5-pin M12 female connectors
-----------------------	--

Approvals and conformities

Foods and beverages/Hygiene	FDA declaration of conformity
-----------------------------	-------------------------------

Environment and installation

Degree of protection ¹⁾ according to IEC/EN 60529	IP65, IP67 under the following simultaneous conditions: <ul style="list-style-type: none"> • device wired • cover screwed tight • M12 connector mounted and tightened
--	--

1.) Not evaluated by UL

1.4. ELEMENT neutrino variant



Product properties

Material

Further information on the materials can be found in chapter [“3.2. Material specifications” on page 11.](#)

Non-wetted parts

Cover	PPS
Light guide	Digital communication variant: PC, PMMA and NBR88
Housing	<ul style="list-style-type: none"> • Analogue output variant: stainless steel 1.4404 (316L), PPS • Digital communication variant: <ul style="list-style-type: none"> – stainless steel 1.4404 (316L), PPS (metallic variant) – PPS (all-plastic variant)
Grounding terminal	Nickel-plated brass (only metallic variant)
Union nut	PVC (PVDF on request)
Seal	EPDM
Fixed connector	<ul style="list-style-type: none"> • Analogue output variant: PA66 • Digital communication variant: <ul style="list-style-type: none"> – nickel-plated brass (metallic variant) – PA66 (all-plastic variant)
Cable gland	Analogue output variant: PA66
Temperature compensation	<ul style="list-style-type: none"> • None or • According to a predefined graph <ul style="list-style-type: none"> – linear (only for digital communication variant) or – NaCl or – ultra pure water (only with C = 0.01)

Electrical data

Operating voltage	12...36 V DC, filtered and regulated Connection to main supply: permanent, through external SELV (Safety Extra Low Voltage) and LPS (Limited Power Source) power supply
Current consumption	<ul style="list-style-type: none"> • Analogue output variant: ≤ 25 mA (with sensor) • Digital communication variant: ≤ 50 mA (with sensor)

Input/Output

Digital input/output	Digital communication variant: through the communication interface <ul style="list-style-type: none"> • Bürkert system bus (bÜS)/CANopen • IO-Link
Analogue output	Analogue output variant: <ul style="list-style-type: none"> • current of 4...20 mA • response time (10 %...90 %): 5 s (standard) • max. loop impedance: 1100 Ω at 36 V DC, 610 Ω at 24 V DC, 100 Ω at 12 V DC

Voltage supply cable	<ul style="list-style-type: none"> For connector: The female M12 connector is not included in the delivery and must be ordered separately, see chapter "11.5. Ordering chart accessories" on page 24. For this connector, use according to the output of the device: <ul style="list-style-type: none"> a shielded cable with: <ul style="list-style-type: none"> diameter of 3...6.5 mm cross section of wires: max. 0.75 mm² a CANopen standard cable for Bürkert system bus (bÜS)/CANopen communication, max. 50 m length a standardised industrial cable (unshielded 3- or 4-wire cable) for IO-Link communication, max. 20 m length For terminal strip via a cable gland (measuring data according to CEI 664-1/VDE 0110 (4.97)) use a cable: <ul style="list-style-type: none"> solid H05(07) V-U: 0.25...1.5 mm² flexible H05(07) V-K: 0.25...1.5 mm² with wire end ferrule without plastic collar: 0.25...1.5 mm² with wire end ferrule with plastic collar: 0.25...0.75 mm² diameter: 4...8 mm
----------------------	---

Medium data	
Fluid temperature	<ul style="list-style-type: none"> Device with G 3/4 external threaded connection: - 20...+ 100 °C (- 4...+ 212 °F) restricted by the used adapter Restriction with adapter S022 in PVC: 0...+ 50 °C (+ 32...+ 122 °F)

Product connections	
Process connection	G 3/4 external threaded for use with Type S022 adapter See data sheet Type S022 ▶ for more information.
Electrical connection	<ul style="list-style-type: none"> 1 × 5-pin free positionable M12 male connector or Terminal strip via 1x cable gland M16 × 1.5

Data transfer	
Digital communication: bÜS	
External communication	Via bÜS (Bürkert system bus, CANopen-based)
Digital communication: IO-Link	
Communication interface	IO-Link device V1.1.2
SIO mode	No
Transmission speed (baud rate)	COM 3 (230.4 kBd)
Type of ports	Class A
Cycle time	Min. 5 ms
Process data width	48 input bits, 8 output bits
IO-Link data storage	Yes
Block configuration	No
IO device description (IODD)	The device description is available in the operating instructions which can be found on our website under the "User Manuals" heading for Type 8222 ▶. Alternatively, see "Device Description Files" under the "Software" heading for Type 8222 ▶ or at https://ioddfinder.io-link.com

Environment and installation	
Degree of protection	<ul style="list-style-type: none"> IP65¹⁾, IP67¹⁾ (according to IEC/EN 60529) NEMA 4X and NEMA 6P (according to NEMA250) (with device installed on the fitting) UL50E under the following simultaneous conditions: <ul style="list-style-type: none"> device wired cover screwed tight M12 connector or glands mounted and tightened with blind plug on unused cable glands

1.) Not evaluated by UL

DTS 1000114221 EN Version: W Status: RL (released | freigegeben | valide) printed: 17.04.2026

2. Approvals and conformities

2.1. General notes

- The approvals and conformities listed below must be stated when making enquiries. This is the only way to ensure that the product complies with all required specifications.
- Not all available variants of the device can be supplied with the below mentioned approvals or conformities.

2.2. Conformity

In accordance with the Declaration of Conformity, the product is compliant with the EU Directives.

2.3. Standards

The applied standards which are used to demonstrate compliance with the EU Directives are listed in the EU-Type Examination Certificate and/or the EU Declaration of Conformity.

2.4. Pressure Equipment Directive (PED)

The device conforms to Article 4, Paragraph 1 of the Pressure Equipment Directive 2014/68/EU under the following conditions:

Device used in a pipe

Note:

- The data in the table is independent of the chemical compatibility of the material and the fluid.
- PS = maximum admissible pressure (in bar), DN = nominal diameter of the pipe

Type of fluid	Conditions
Fluid group 1, Article 4, Paragraph 1.c.i	DN ≤ 25
Fluid group 2, Article 4, Paragraph 1.c.i	DN ≤ 32 or PS*DN ≤ 1000
Fluid group 1, Article 4, Paragraph 1.c.ii	DN ≤ 25 or PS*DN ≤ 2000
Fluid group 2, Article 4, Paragraph 1.c.ii	DN ≤ 200 or PS ≤ 10 or PS*DN ≤ 5000

Device used in a vessel

Note:

- The data in the table is independent of the chemical compatibility of the material and the fluid.
- PS = maximum admissible pressure (in bar), V = vessel volume

Type of fluid	Conditions
Fluid group 1, Article 4, Paragraph 1.a.i	V > 1 L and PS*V ≤ 25 bar.L or PS ≤ 200 bar
Fluid group 2, Article 4, Paragraph 1.a.i	V > 1 L and PS*V ≤ 50 bar.L or PS ≤ 1000 bar
Fluid group 1, Article 4, Paragraph 1.a.ii	V > 1 L and PS*V ≤ 200 bar.L or PS ≤ 500 bar
Fluid group 2, Article 4, Paragraph 1.a.ii	PS > 10 bar and PS*V ≤ 10000 bar.L or PS ≤ 1000 bar

2.5. North America (USA/Canada)

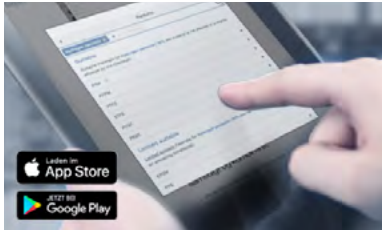
Approval	Description
	Optional: UL Recognized for the USA and Canada The products are UL Recognized for the USA and Canada according to: <ul style="list-style-type: none"> • UL 61010-1 • CAN/CSA-C22.2 No. 61010-1

2.6. Foods and beverages/Hygiene

Conformity	Description
FDA	FDA – Code of Federal Regulations The devices are compliant with the Code of Federal Regulations published by the FDA (Food and Drug Administration, USA) according to the manufacturer’s declaration.

3. Materials

3.1. Bürkert resistApp



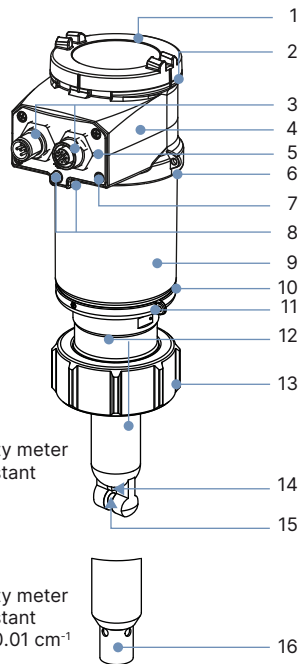
Bürkert resistApp – Chemical resistance chart

You want to ensure the reliability and durability of the materials in your individual application case? Verify your combination of media and materials on our website or in our resistApp.

[Start chemical resistance check](#)

3.2. Material specifications

ELEMENT standard variant



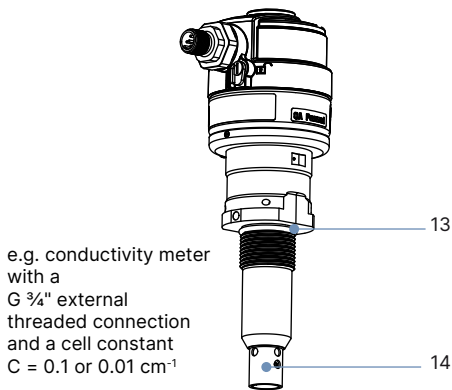
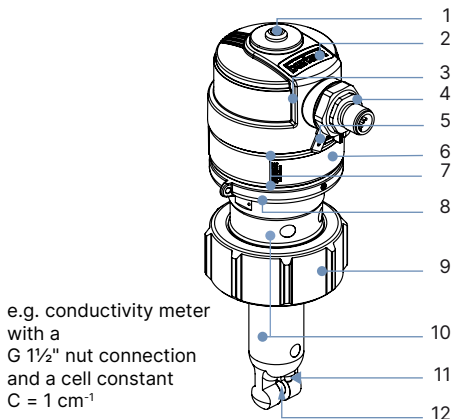
No.	Element	Material
1	Cover	PC
2	Seal	Silicone
3	M12 fixed connector (female/male)	Nickel-plated brass
4	Housing (top)	PPS
5	Fixed connector holder	PPS CF30
6	Seal	EPDM
7	Screws	Stainless steel 1.4301 (304 (A2))
8	Grounding terminal and screw	Stainless steel 1.4401 (316 (A4))
9	Housing	Stainless steel 1.4404 (316L)
10	Seal	EPDM
11	Housing (base)	PPS
12	Probe holder	PVDF
13	Union nut	PVC or PVDF
14	Pt probe (C= 1 cm ⁻¹)	Stainless steel 1.4571 (316Ti)
15	Electrode (C= 1 cm ⁻¹)	Graphite
16	Pt Probe, electrode (C = 0.1 or 0.01 cm ⁻¹)	Stainless steel 1.4571 (316Ti)

e.g. conductivity meter with a cell constant C = 1 cm⁻¹

e.g. conductivity meter with a cell constant C = 0.1 or C = 0.01 cm⁻¹

DTS 1000114221 EN Version: W Status: RL (released | freigegeben | valide) printed: 17.04.2026

ELEMENT neutrino variant



No.	Element	Material
1	Light guide	PC, PMMA and NBR88 (only digital communication variant)
2	Cover	PPS
3	Seal	EPDM
4	M12 male fixed connector or cable gland	<ul style="list-style-type: none"> PA66 (4...20 mA output variant and digital communication all-plastic variant) Nickel-plated brass (digital communication metallic variant) PA66 (only 4...20 mA output variant)
5	Ground terminal	Nickel-plated brass (only digital communication metallic variant)
6	Housing	<ul style="list-style-type: none"> PPS (digital communication all-plastic variant) Stainless steel 1.4404 (316 L) and PPS (4...20 mA output variant and digital communication metallic variant)
7	Seal	EPDM
8	Housing (base)	PPS
9	Union nut	PVC (or PVDF on request)
10	Probe holder	PVDF
11	Pt probe (C= 1 cm ⁻¹)	Stainless steel 1.4571 (316Ti)
12	Electrode (C= 1 cm ⁻¹)	Graphite
13	Seal	EPDM
14	Pt probe, electrode (c= 0.1 or 0.01 cm ⁻¹)	Stainless steel 1.4571 (316Ti)

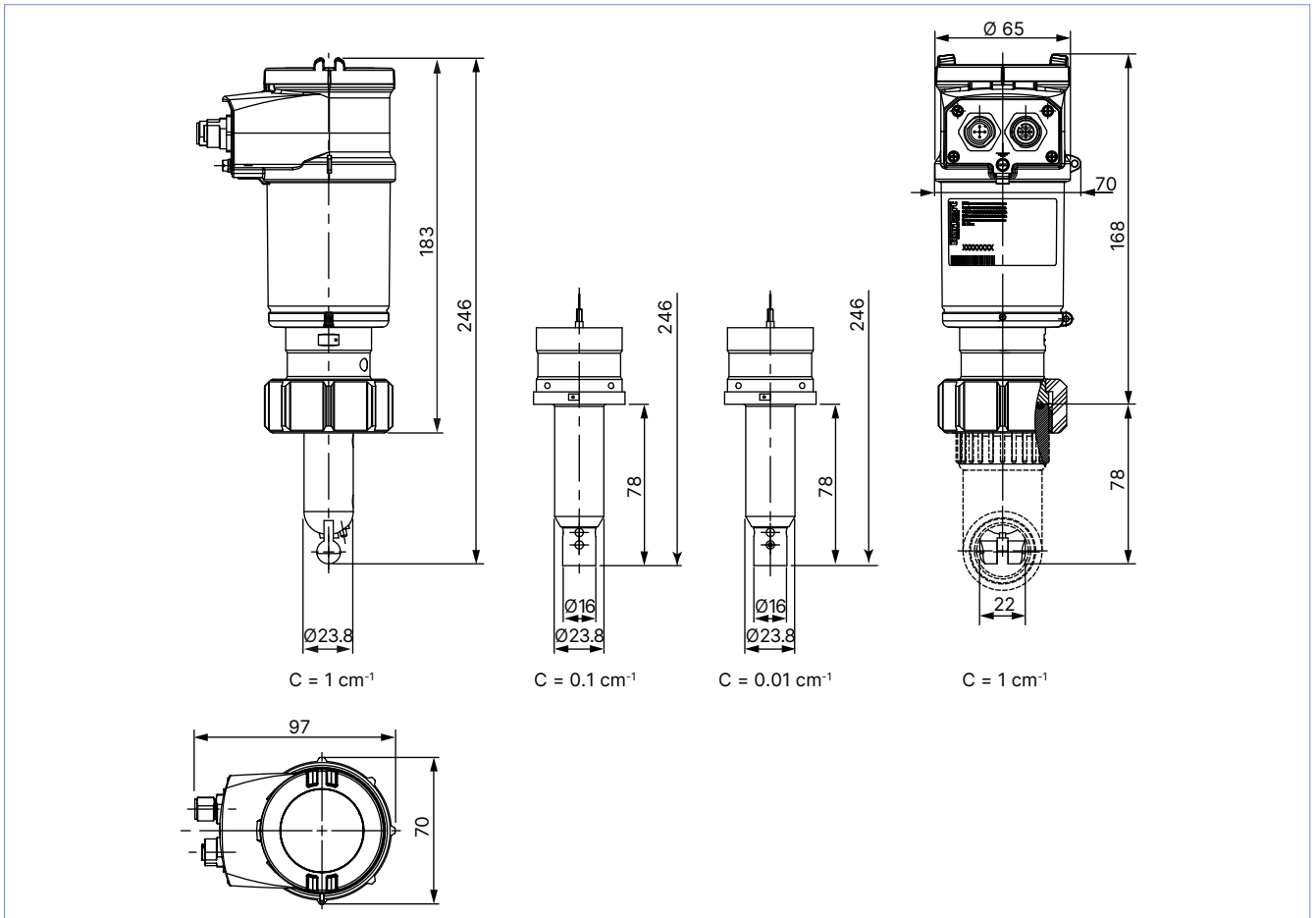
DTS 1000114221 EN Version: W Status: RL (released | freigegeben | valide) printed: 17.04.2026

4. Dimensions

4.1. ELEMENT standard variant

Note:

Dimensions in mm, unless otherwise stated

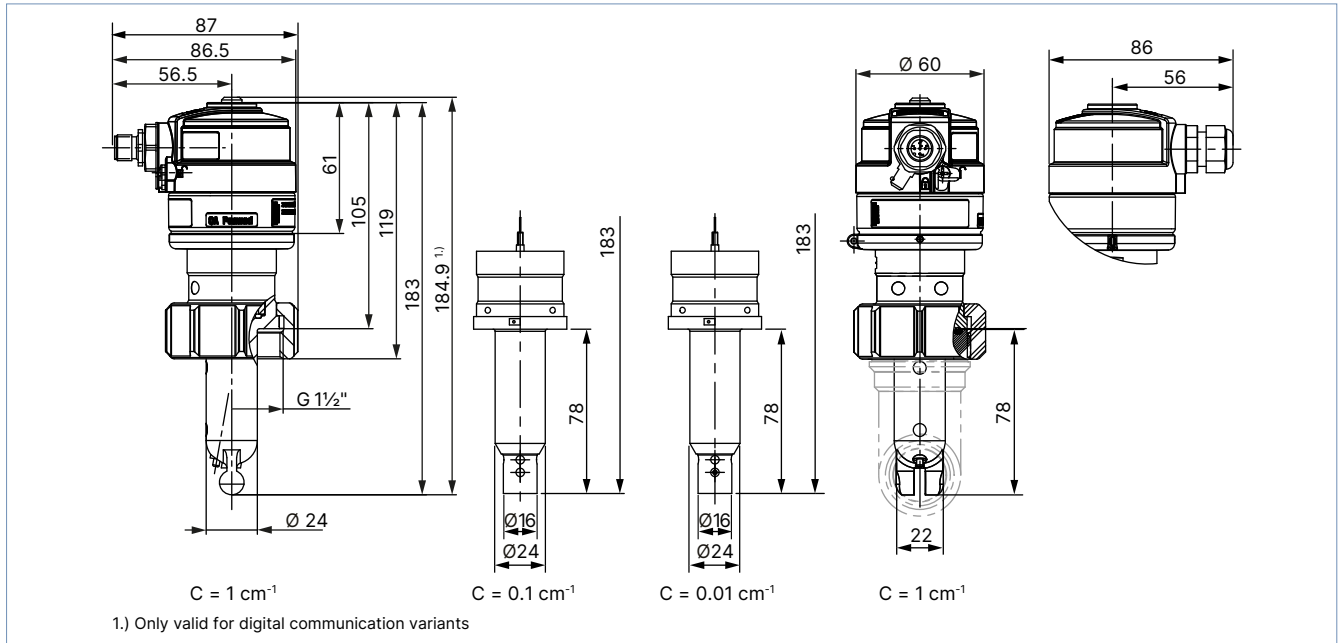


4.2. ELEMENT neutrino variant

With a G 1½ union nut connection

Note:

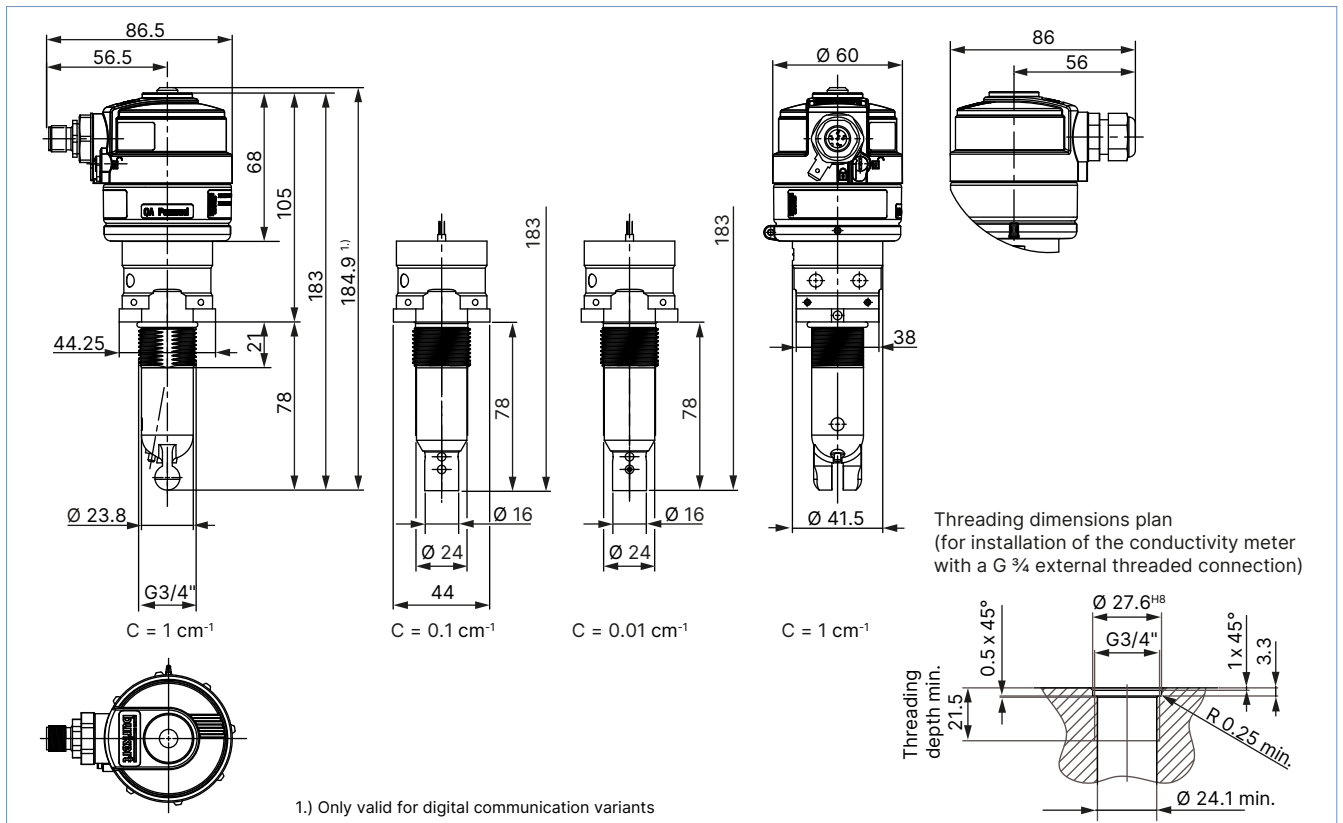
Dimensions in mm, unless otherwise stated



With a G ¾ external threaded connection

Note:

Dimensions in mm, unless otherwise stated

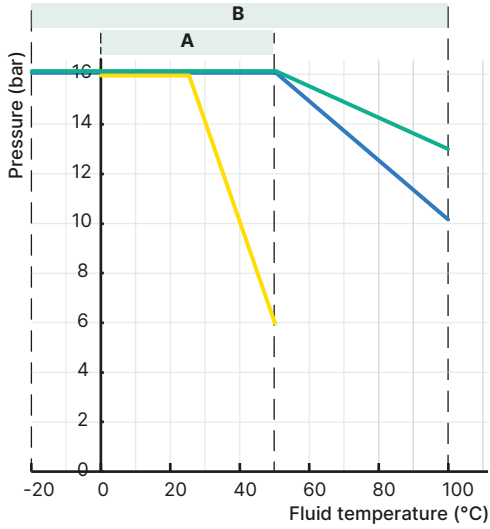


DTS 1000114221 EN Version: W Status: RL (released | freigegeben | valide) printed: 17.04.2026

5. Performance specifications

5.1. Pressure temperature diagram

ELEMENT standard and ELEMENT neutrino variants

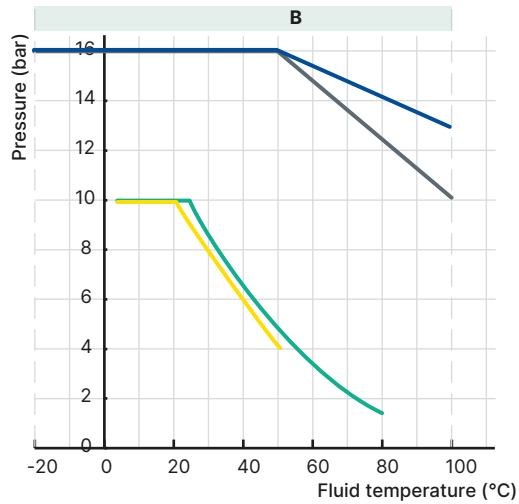
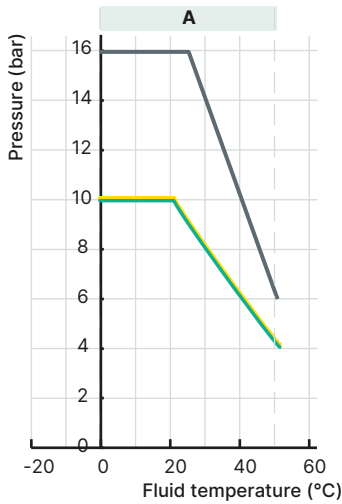


Application range of Type 8222 ELEMENT standard variant and ELEMENT neutrino variant
 A: device with PVC union nut
 B: device with
 - a PVDF union nut connection (on request for ELEMENT neutrino variant) or
 - with a G 3/4 external threaded connection (only for ELEMENT neutrino variant)

The measures have been made at an ambient temperature of + 60 °C

— PVDF (C = 0.01 and C = 0.1)
 — PVDF (C = 1)
 — PVC

ELEMENT standard and ELEMENT neutrino variants installed with a Type S022 adaptor



Application range of Type 8222 ELEMENT standard variant and ELEMENT neutrino variant with Type S022 adaptor,
 A: device with PVC union nut

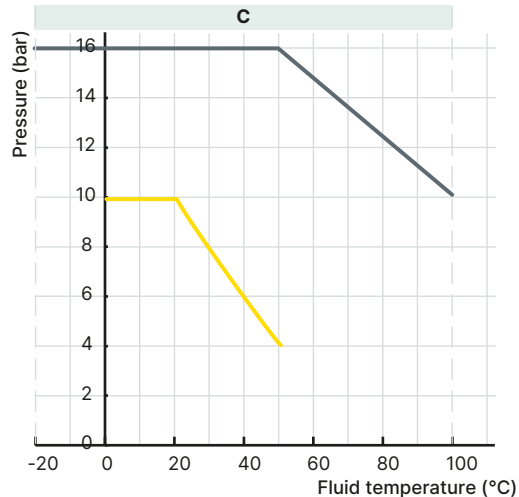
— PVC — PP — Metal

B: device with PVDF union nut (on request, for ELEMENT neutrino variant)

— PVC — PP — Metal (C = 1)
 — Metal (C = 0.01 and C = 0.1)

C: device with a G 3/4 external threaded connection (only for ELEMENT neutrino variant)

— PVC — PP — Metal



DTS 1000114221 EN Version: W Status: RL (released | freigegeben | valide) printed: 17.04.2026

6. Product installation

6.1. Installation notes

The ELEMENT Type 8222 conductivity meter, in standard or neutrino variant, can be installed into any adapter/fitting with a G 1½ external threaded sensor connection by simply tightening the G 1½ union nut. The ELEMENT conductivity meter, in neutrino variant with G ¾ external threaded connection, can be installed into any adapter with a G ¾ internal threaded (further information on the threading dimensions plan can be found in chapter **"With a G ¾ external threaded connection" on page 14**).

Select the appropriate adapter, taking into account the specific requirements of the measuring device and the adapter material (temperature and pressure), and install it on a pipe.

For a mounting on a tank or a direct mounting on a pipe (DN 100 or DN 110), an adapter with a G 1½ external threaded sensor connection or with a G ¾ internal threaded sensor connection (depending on conductivity meter variant) must be used.

The use of our Type S022 analysis measurement chamber represents an alternative. It is specifically designed for the installation of the ELEMENT conductivity meter in all pipe systems, either directly in the main stream or in a by-pass line.

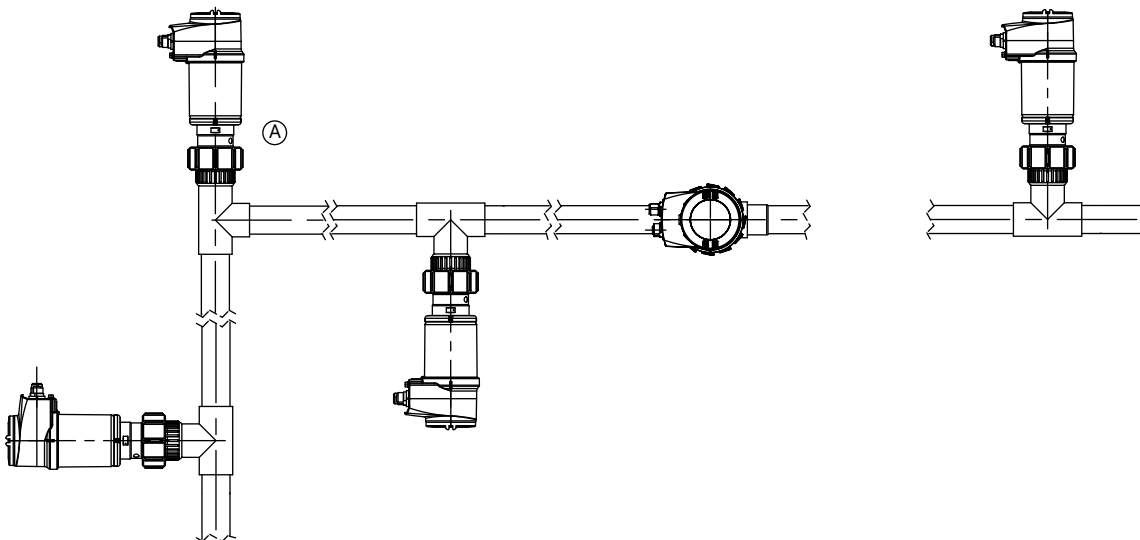
See **data sheet Type S022** ▶ for more information.

Carefully install the unit on the fitting. It can be installed in any position (**prefer "A" mounting to install a Type 8222 with sensor C = 0.1 or C = 0.01 cm⁻¹**).

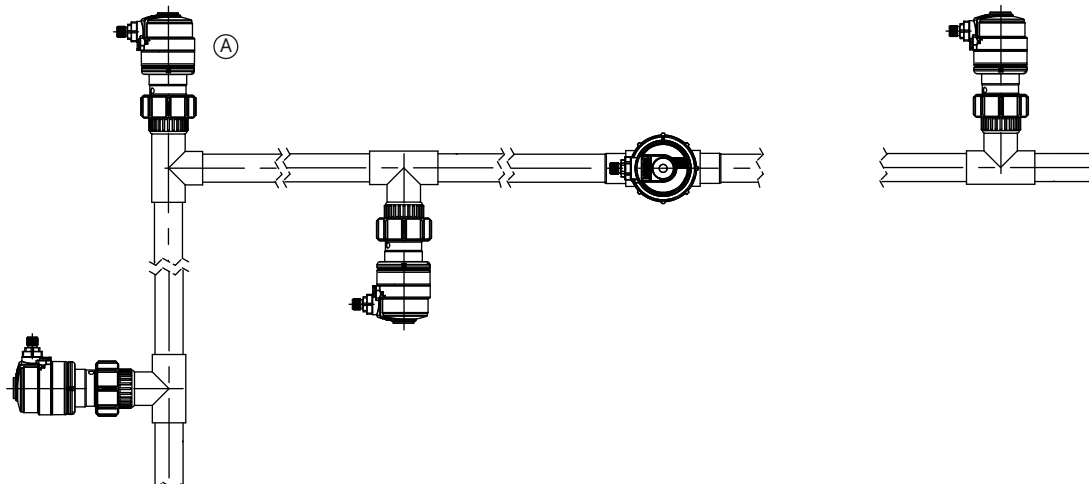
In order obtain reliable measurements, air bubbles must be avoided.

Ensure that the mounting location provides a continuous and complete immersion of the probe in the flow stream.

ELEMENT standard variant



ELEMENT neutrino variant



The device must be protected from constant heat radiation and other environmental influences, such as direct exposure to sunlight.

7. Product operation

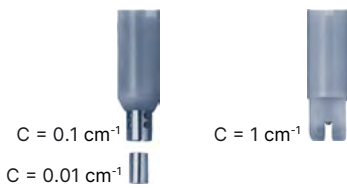
7.1. Measurement principle

Conductivity is defined by the property of a solution to conduct electrical current. The charge carriers are ions (e.g. dissolved salts or acids).

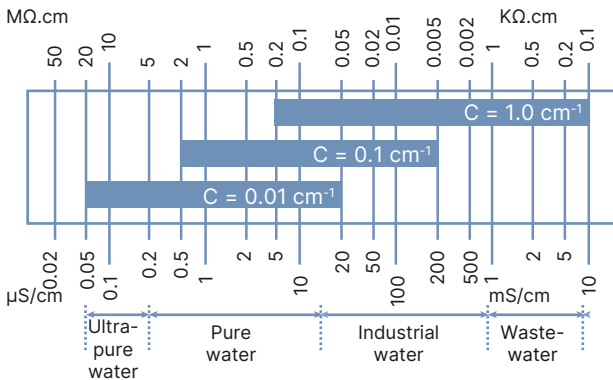
Regarding this device, the measuring cell consists of two metal electrodes which are set at a fixed distance apart and with a known specified surface. The measured current is a direct function of the quantity of ions contained in the solution. The conductivity is calculated using Ohm's law.

There are many types of conductivity probes, whose measurement range varies greatly depending on the electrode arrangement. To compensate for the geometry of the conductivity cell, a cell constant is used: $\text{Conductivity [S/cm]} = \text{Measurement [S]} \times \text{Cell constant [1/cm]}$.

The conductivity sensor can be equipped with 3 measuring cells of different constants: $C = 0.01$; 0.1 and 1.0 cm^{-1} .



The sensor is selected according to the measuring range and medium using the table below.



The meter is either a two wire device (3 outputs transmitter ELEMENT standard variant or ELEMENT neutrino variant) or a three wire device (4 outputs transmitter ELEMENT standard variant) which requires a power supply of 14 V DC (3 outputs transmitter ELEMENT standard variant) or 12 V DC (4 outputs transmitter ELEMENT standard variant or ELEMENT neutrino variant) up to 36 V DC and delivers a 4...20 mA standard signal proportional to the conductivity and/or to the temperature of the fluid as output signal.

The measuring range on which the 4...20 mA output must match is selectable for

- the ELEMENT standard variant through a display/configuration module and
- the ELEMENT neutrino variant through a rotary switch. This measuring range can also be customized on request (contact your nearest Bürkert office).

The electrical connection is provided via one or two M12 connectors for the ELEMENT standard variant or via one free positionable M12 male connector or terminal strip through cable gland for the ELEMENT neutrino variant.

DTS 1000114221 EN Version: W Status: RL (released | freigegeben | valide) printed: 17.04.2026

8. Product design and assembly

8.1. Product assembly

Note:

The Type 8222 device can be installed with the help of the Type S022 adapter or fitting with

- G 1½ external threaded sensor connection for ELEMENT standard and ELEMENT neutrino variant or
 - G ¾ internal threaded connection only for ELEMENT neutrino variant
- into pipe systems or containers.

See **data sheet Type S022** ▶ for more information.

The conductivity meter consists of a sensor available with three different cell constants C, plugged-in and pinned to an enclosure with cover, containing the electronic module. The sensor holder comprises a cell with two electrodes and a Pt1000 temperature sensor.

A removable display/configuration module complements the ELEMENT standard device variant. The conductivity meter can operate independently of this module, but it will be required for configuration of the device (i.e. set parameters, restore default parameters, configure information to be displayed, enter access codes, adjust 4...20 mA output(s) ...) and also for visualizing continuously the measured and processed data.

Removable display/configuration module
(separately available)

Conductivity meter Type 8222
ELEMENT standard variant

Insertion adaptor Type S022
with G 1½ external threaded sensor connection

Conductivity meter Type 8222
ELEMENT neutrino variant

- with G 1½ union nut connection

- with G ¾ external threaded connection

Insertion adaptor Type S022
with G ¾ internal threaded sensor connection

Complete device
ELEMENT standard variant
for conductivity measurement

Fitting
(example only)

Complete device
ELEMENT neutrino variant
for conductivity measurement

Fitting
(example only)

Complete device
ELEMENT neutrino variant
for conductivity measurement

DTS 1000114221 EN Version: W Status: RL (released | freigegeben | valide) printed: 17.04.2026

9. Product accessories

Note:

To configure a device with a digital communication, use the USB-büs-Interface set Type 8923 and the Bürkert Communicator software Type 8920.

See **"11.5. Ordering chart accessories" on page 24** for ordering information and **Software manual Type 8920** for more information.

Accessories	No.	Description
<p>USB-büs interface set 1</p>	1	Quick-Start
	2	Power supply: 100...240 V AC/24 V DC 1 A and power supply adapters for worldwide use
	3	büs terminating resistor on büs Y-splitter
	4	5-pin M12 male connector wired on free end cable, cable length: 0.2 m
	5	büs connection cable with 5-pin M12 male connector, micro USB B plug, cable length: 0.3 m
	6	büs adapter with 5-pin M12 male connector, A-coded to 5-pin M12 male connector, A-coded
	7	büs stick (USB to büs/CANopen adapter)
	8	büs service cable with 5-pin M12 female connector, mini USB plug and circular female connector for power supply, cable length: 0.7 m
	9	Magnetic key
<p>USB-büs interface set 2</p>		The Bürkert Communicator software can be downloaded from our website under the "Software" heading of Type 8920 .

10. Networking and combination with other Bürkert products

Example:



<p>Type S022 ▶ Insertion adapter/fitting for ELEMENT analytical measuring devices</p>	<p>Type 8802 ▶ ELEMENT continuous control valve systems</p>	<p>Type 8611 ▶ eCONTROL - Universal controller</p>	<p>Type 8619 ▶ multiCELL - transmitter/controller</p>
--	--	---	--

DTS 1000114221 EN Version: W Status: RL (released | freigegeben | valide) printed: 17.04.2026

11. Ordering information

11.1. Bürkert eShop



Bürkert eShop – Easy ordering and quick delivery

You want to find your desired Bürkert product or spare part quickly and order directly? Our online shop is available for you 24/7. Sign up and enjoy all the benefits.

[Order online now](#)

11.2. Recommendation regarding product selection

Note:

When only ordering devices without a display/configuration module, make sure that you have a display/configuration module at least for parameterising the device. Otherwise you must also order one (see chapter [“11.5. Ordering chart accessories” on page 24](#)).

A complete conductivity measurement equipment consists of an conductivity meter Type 8222 (ELEMENT standard variant or ELEMENT neutrino variant), a removable display/configuration module (only for ELEMENT standard variant) and a Bürkert Insertion adapter Type S022 with a G 1½ external threaded (for ELEMENT standard variant or ELEMENT neutrino variant) or G ¾ internal threaded sensor connection (only for ELEMENT neutrino variant).

See [data sheet Type S022](#) ▶ for more information.

Two or three different components must be ordered to obtain a complete device. The following information is required:

- **Article no.** of the desired conductivity meter Type 8222 in the ELEMENT standard variant without display/configuration module or in the ELEMENT neutrino variant (see chapter [“11.4. Ordering chart” on page 21](#))
- **Article no.** of the removable display/configuration module, if necessary (see chapter [“11.5. Ordering chart accessories” on page 24](#))
- **Article no.** of the selected S022 Insertion adapter with G 1½ external threaded (for ELEMENT standard or ELEMENT neutrino variant with union nut) or G ¾ internal threaded sensor connection (only for ELEMENT neutrino variant to be screwed). See [data sheet Type S022](#) ▶.

11.3. Bürkert product filter



Bürkert product filter – Get quickly to the right product

You want to select products comfortably based on your technical requirements? Use the Bürkert product filter and find suitable articles for your application quickly and easily.

[Try out our product filter](#)

11.4. Ordering chart

ELEMENT standard variant

Note:

- All settings as well as the digital output have to be configured with the display/configuration module (must be ordered separately).
- The following article nos. have a transparent cover and an integrated Pt1000 as standard.

Operating voltage	Probe	Output	Nut material	UL approval	Electrical connection ¹⁾	Article no.	
14...36 V DC	C = 0.01 cm ⁻¹	3 outputs: 2 x transistors NPN/PNP + 1 x 4...20 mA (2 wires)	PVC	–	5-pin M12 male connector	559618	
				UL Recognized		562394	
			PVDF	–		559620	
				UL Recognized		562396	
			C = 0.1 cm ⁻¹	PVC		–	559614
						UL Recognized	559624
	PVDF			–		559616	
				UL Recognized		559626	
	C = 1.0 cm ⁻¹			PVC		–	559610
						UL Recognized	559638
			PVDF	–		559612	
				UL Recognized		559622	
12...36 V DC	C = 0.01 cm ⁻¹	4 outputs: 2 x transistors NPN/PNP + 2 x 4...20 mA (3 wires)	PVC	–	5-pin M12 male and 5-pin M12 female connectors	559619	
				UL Recognized		562395	
			PVDF	–		559621	
				UL Recognized		562397	
			C = 0.1 cm ⁻¹	PVC		–	559615
						UL Recognized	559625
	PVDF			–		559617	
				UL Recognized		559627	
	C = 1.0 cm ⁻¹			PVC		–	559611
						UL Recognized	559639
			PVDF	–		559613	
				UL Recognized		559623	

1.) Must be ordered separately (see chapter "11.5. Ordering chart accessories" on page 24): M12 male/female connectors (only female for the variant with one 4...20 mA output, 1 male + 1 female for the variant with two 4...20 mA outputs of the device)

Further variants on request	
<p>Additional</p> <ul style="list-style-type: none"> • Pre-parameterized devices with configuration: 2- or 4-outputs, filter, temperature compensation, threshold, etc. • With display/configuration module 	<p>Certification and Calibration Calibration certificates</p>

DTS 1000114221 EN Version: W Status: RL (released | freigegeben | valide) printed: 17.04.2026

ELEMENT neutrino variant with a 4...20 mA output

Operating voltage	Probe	Output	Nut material	UL approval	Electrical connection ¹⁾	Article no.			
Variant with G 1½ union nut									
12...36 V DC	C = 0.01 cm ⁻¹	1 × 4...20 mA (2 wires)	PVC	–	5-pin M12 male connector	561661			
				UL Recognized		562545			
			PVDF	–		Cable gland	562503		
				UL Recognized			On request		
			PVC	–			5-pin M12 male connector	561662	
				UL Recognized				562546	
			PVDF	–	Cable gland			562652	
				UL Recognized				567396	
			C = 0.1 cm ⁻¹	PVC		–		5-pin M12 male connector	561663
						UL Recognized			562547
				PVDF		–	Cable gland		562478
						UL Recognized			On request
	PVC	–		5-pin M12 male connector	561664				
		UL Recognized			562548				
	PVDF	–	Cable gland		562479				
		UL Recognized			567357				
	C = 1.0 cm ⁻¹	PVC			–	5-pin M12 male connector	561665		
					UL Recognized		562549		
		PVDF		–	Cable gland		562271		
				UL Recognized			On request		
		PVC	–	5-pin M12 male connector			561666		
			UL Recognized				562550		
	PVDF	–	Cable gland			562653			
		UL Recognized				568024			
Variant with G ¾ external threaded									
12...36 V DC	C = 0.01 cm ⁻¹	1 × 4...20 mA (2 wires)			–	–	5-pin M12 male connector	561667	
				UL Recognized		562551			
				–		Cable gland	561668		
			UL Recognized				562552		
	C = 0.1 cm ⁻¹		5-pin M12 male connector	561669					
				UL Recognized		562553			
			Cable gland	561670					
				UL Recognized		562554			
	C = 1.0 cm ⁻¹		5-pin M12 male connector	561671					
				UL Recognized		562555			
			Cable gland	561672					
				UL Recognized		562556			

1.) Must be ordered separately (see chapter "11.5. Ordering chart accessories" on page 24): M12 female connector

DTS 1000114221 EN Version: W Status: RL (released | freigegeben | valide) printed: 17.04.2026

ELEMENT neutrino variant with digital communication

Note:

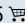

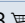
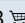


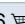

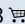



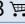



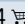






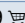





The communication protocol is selected automatically by the device depending on the master controlling it.

Operating voltage	Probe	Output	Nut material	UL approval	Electrical connection ¹⁾	Article no.
Metallic variant with G 1½ union nut						
12...36 V DC	C = 0.01 cm ⁻¹	Digital IO-Link and büS/CANopen communication	PVC	–	5-pin M12 male connector	574248
				UL Recognized		574249
			PVDF	–		574254
				UL Recognized		–
	C = 0.1 cm ⁻¹		PVC	–		574250
				UL Recognized		574251
			PVDF	–		574255
				UL Recognized		–
	C = 1.0 cm ⁻¹	PVC	–	574252		
			UL Recognized	574253		
		PVDF	–	574256		
			UL Recognized	–		
Metallic variant with G ¾ external threaded						
12...36 V DC	C = 0.01 cm ⁻¹	Digital IO-Link and büS/CANopen communication	–	–	5-pin M12 male connector	574257
				UL Recognized		574258
	C = 0.1 cm ⁻¹			–		574259
				UL Recognized		574260
	C = 1.0 cm ⁻¹			–		574261
				UL Recognized		574262
All-plastic variant with G 1½ union nut						
12...36 V DC	C = 0.01 cm ⁻¹	Digital IO-Link communication	PVC	–	5-pin M12 male connector	574263
				UL Recognized		574264
			PVDF	–		574269
				UL Recognized		–
	C = 0.1 cm ⁻¹		PVC	–		574265
				UL Recognized		574266
			PVDF	–		574270
				UL Recognized		–
	C = 1.0 cm ⁻¹	PVC	–	574267		
			UL Recognized	574268		
		PVDF	–	574271		
			UL Recognized	–		
All-plastic variant with G ¾ external threaded						
12...36 V DC	C = 0.01 cm ⁻¹	Digital IO-Link communication	–	–	5-pin M12 male connector	574272
				UL Recognized		574273
	C = 0.1 cm ⁻¹			–		574274
				UL Recognized		574275
	C = 1.0 cm ⁻¹			–		574276
				UL Recognized		574277

1.) Must be ordered separately (see chapter "11.5. Ordering chart accessories" on page 24): M12 female connector

DTS 1000114221 EN Version: W Status: RL (released | freigegeben | valide) printed: 17.04.2026

11.5. Ordering chart accessories

Description	Article no.
Seals	
For ELEMENT neutrino variant	
EPDM seal for measuring device with G 3/4 external thread process connection ¹⁾	561955 
EPDM seal for sealing between the cover and the housing	561752 
Spare part	
For ELEMENT standard variant	
Opaque cover with seal (1 screw cover with EPDM seal + 1 bayonet catch cover with silicone seal)	560948 
Transparent cover with seal (1 screw cover with EPDM seal + 1 bayonet catch cover with silicone seal)	561843 
Electrical connection	
For all variants	
M12 female connector with plastic threaded clamping ring, 5-pin, straight, to be wired	917116 
M12 female connector with moulded cable (shielded), 5-pin, straight, cable length: 2 m	438680 
For ELEMENT standard variant	
M12 male connector with plastic threaded clamping ring, 5-pin, straight, to be wired	560946 
M12 male connector with moulded cable (shielded), 5-pin, straight, cable length: 2 m	559177 
Configuration accessory	
For ELEMENT standard variant	
Removable display/configuration module (with instruction sheet)	559168 
For all variants	
Calibration solution, 250 ml, conductivity standard value: 5 µS/cm, ± 1 % accuracy	440015 
Calibration solution, 250 ml, conductivity standard value: 15 µS/cm, ± 1 % accuracy	440016 
Calibration solution, 250 ml, conductivity standard value: 100 µS/cm, ± 1 % accuracy	440017 
Calibration solution, 250 ml, conductivity standard value: 706 µS/cm, ± 2 % accuracy	440018 
Calibration solution, 250 ml, conductivity standard value: 1413 µS/cm, ± 1 % accuracy	440019 
System Connect	
Type ME43 Gateway/Interface	
Industrial Ethernet gateway (PROFINET IO, EtherNet/IP, Modbus TCP, EtherCAT®)	307390 
PROFIBUS gateway (PROFIBUS DPV1)	307393 
Type ME61 Display	
FieldConnect 3.5" display (8.9 cm)	368544 
EDIP Accessories	
USB-büS-Interface set	
 USB-büS-Interface set 1 (Type 8923) Further information can be found in chapter "9. Product accessories" on page 19.	772426 
USB-büS-Interface set 2 (Type 8923) Further information can be found in chapter "9. Product accessories" on page 19.	772551 
Connectors	
büS M12 female connector ²⁾ , 5-pin, straight, A-coded	772416 
büS M12 male connector ²⁾ , 5-pin, straight, A-coded	772417 
büS M12 female connector ²⁾ , 5-pin, angled, A-coded	772418 
büS M12 male connector ²⁾ , 5-pin, angled, A-coded	772419 
büS Y-distributor ³⁾ (M12 female connector, 5-pin to M12 male and female connectors, 5-pin)	772420 
büS Y-distributor ³⁾ with power interrupt (M12 female connector, 5-pin to M12 male and female connectors, 5-pin)	772421 
büS adapter ³⁾ (M12 male connector, 5-pin, A-coded to M12 male connector, 5-pin, A-coded)	772867 
büS terminating resistor ³⁾ 120 Ω, M12 male connector, 5-pin	772424 
büS terminating resistor ³⁾ 120 Ω, M12 female connector, 5-pin	772425 

DTS 1000114221 EN Version: W Status: RL (released | freigegeben | valide) printed: 17.04.2026

Description		Article no.	
Connectors with cable			
Adapter cable with M12 female connector, 8-pin to M12 male connector, 5-pin	0.5 m	773286	
M12 female connector ^{3.)} , 5-pin, angled, moulded on bÜS cable, with open leads	0.7 m	772626	
M12 female connector ^{3.)} , 5-pin, straight, moulded on bÜS cable, with open leads	1 m	772409	
	3 m	772410	
	5 m	772411	
	10 m	772412	
M12 male connector ^{3.)} , 5-pin straight and micro USB connector, moulded on bÜS cable	0.3 m	773254	
M12 female connector, 8-pin, straight, moulded on bÜS cable, with open leads	2 m	919061	
Extensions			
	M12 female and male connectors ^{3.)} , 5-pin, straight, moulded on bÜS cable, shielded	0.1 m	772492
		0.2 m	772402
		0.5 m	772403
		1 m	772404
		3 m	772405
		5 m	772406
		10 m	772407
		20 m	772408
Power supply unit for standard rail Type 1573			
100...240 V AC / 24 V DC, 1 A (Class 2 according to NEC)		772361	
100...240 V AC / 24 V DC, 2 A (Class 2 according to NEC)		772362	
100...240 V AC / 24 V DC, 3.8 A (Class 2 according to NEC)		772898	
100...240 V AC / 24 V DC, 10 A		772698	

- 1.) **Important: only use this O-ring to ensure tightness between the measuring device with G 3/4 external thread and the Type S022 Insertion adapter.**
- 2.) The connector is also suitable for IO-Link communication.
- 3.) The accessory is not suitable for IO-Link communication.

DTS 1000114221 EN Version: W Status: RL (released | freigegeben | valide) printed: 17.04.2026