



## Direct-acting 2/2-way plunger valve

- Direct-acting and compact small valve up to DN 2.4
- Slipped over coil system
- Simple and fast flange or manifold mounting
- Quick coupling (push-in fitting) for push-in connectors
- Explosion-proof variants

Product variants described in the data sheet may differ from the product presentation and description.

### Type description

The 7011 valve is a direct-acting plunger valve. The stopper and the core guide tube are welded together to increase pressure resistance and leak-tightness. Various housing and seal material combinations are available depending on the actual application. A Bürkert-specific flange variant (SFB) enables the space-saving arrangement of valves on a multiple manifold. The range is supplemented by variants conforming to DVGW EN 161 and explosion-proof variants. Push-in fittings can be selected for a flexible hose connection. In combination with a plug conforming to DIN EN 175301 - 803 shape B, the valves satisfy degree of protection IP65.

## Table of contents

<b>1. General technical data</b>	<b>4</b>
1.1. Standard variant.....	4
1.2. DVGW variant .....	5
1.3. ATEX/IECEX cable variant.....	5
<b>2. Circuit functions</b>	<b>6</b>
<b>3. Approvals and conformities</b>	<b>6</b>
3.1. General notes .....	6
3.2. Conformity .....	6
3.3. Standards.....	6
3.4. Explosion protection.....	6
3.5. North America (USA/Canada) .....	6
3.6. Drinking water .....	7
3.7. Foods and beverages/Hygiene .....	7
3.8. Others .....	7
Fuel gases .....	7
<b>4. Materials</b>	<b>7</b>
4.1. Bürkert resistApp.....	7
4.2. Material specifications .....	8
Standard variant circuit function A .....	8
Standard variant circuit function B .....	8
ATEX/IECEX cable variant .....	9
<b>5. Dimensions</b>	<b>10</b>
5.1. Standard variant.....	10
Threaded variant.....	10
Flange variant.....	10
Flange pattern .....	11
5.2. ATEX/IECEX cable variant.....	11
Threaded variant.....	11
Flange variant.....	12
Flange pattern .....	13
5.3. Coil variants .....	13
Variants according to industry standard form B .....	13
Further electrical connections.....	14
5.4. Single manifold.....	14
5.5. Multiple manifold.....	15
Manifolds for valves with 20 mm coil (SG2) .....	15
Manifolds for valves with 24.5 mm coil (SG3) resp. CF B .....	15
<b>6. Product connections</b>	<b>16</b>
6.1. Port connection .....	16
Pin assignment.....	16
Pin assignment vacuum applications.....	17
<b>7. Performance specifications</b>	<b>17</b>
7.1. Power consumption .....	17
Standard variant, coil size 24.5 mm .....	17
Standard variant, coil size 20 mm.....	18

<b>8. Ordering information</b>	<b>19</b>
8.1. Bürkert eShop .....	19
8.2. Bürkert product filter .....	19
8.3. Bürkert Product Enquiry Form .....	19
8.4. Ordering chart .....	20
Standard variant according to industry standard form B, coil size 24.5 mm .....	20
DVGW variant .....	23
ATEX/IECEX cable variant .....	24
Standard variant according to industry standard form B, coil size 20 mm .....	24
Additional options .....	27
8.5. Ordering chart accessories .....	27
Single manifold .....	27
Multiple manifold .....	27
Accessories for manifolds .....	27
Accessories for G 1/8 threaded connections .....	27
Cable plug Type 2516, form C according to DIN EN 175301 - 803 .....	28
Cable plug Type 2507, form B according to industry standard .....	29

DTS 1000446515 EN Version: L Status: RL (released | freigegeben | valide) printed: 18.02.2026

## 1. General technical data

### 1.1. Standard variant

Product properties	
Dimensions	Further information can be found in chapter <a href="#">"5. Dimensions"</a> on page 10.
<b>Material</b>	
Seal	FKM, EPDM
Body	Brass, polyamide (PA), stainless steel 1.4305/303
Manual override	Optional
<b>Weight</b>	
Standard variant 24.5 mm solenoid coil	146 g (with G 1/8)
Standard variant 20 mm solenoid coil	120 g (with G 1/8)
Orifice	DN 1.2...DN 2.4
Circuit function	A and B Further information can be found in chapter <a href="#">"2. Circuit functions"</a> on page 6.
Thermal insulation class of solenoid coil	Epoxy coil class H
Performance data	
<b>Duty cycle</b>	
Single valve	100 % resp. 50 % continuous operation
For block mounting on multiple manifold	With 4 W/5 W solenoid coil 100 % ED (at max. + 55 °C)
Switching time <sup>1)</sup>	Opening: 8...15 ms Closing: 10...17 ms
Electrical data	
Operating voltage	24 V DC, 24 V 60 Hz, 110 V 50 Hz, 120 V 60 Hz, 230 V 50 Hz, 240 V 60 Hz
Power consumption	Further information can be found in chapter <a href="#">"7. Performance specifications"</a> on page 17.
Voltage tolerance	± 10 %
Medium data	
Operating medium	Neutral gases and liquids (e.g. compressed air, water, hydraulic oil, technical vacuum)
Medium temperature	- 10 °C...+ 100 °C
Viscosity	Max. 21 mm <sup>2</sup> /s
Product connections	
Electrical connection	<ul style="list-style-type: none"> <li>• According to DIN EN 175301 - 803 form C for cable plug <b>Type 2516</b> ▶ Further information can be found in chapter <a href="#">"Cable plug Type 2516, form C according to DIN EN 175301 - 803"</a> on page 28.</li> <li>• According to industry standard form B for cable plug <b>Type 2507</b> ▶ Further information can be found in chapter <a href="#">"Cable plug Type 2507, form B according to industry standard"</a> on page 29.</li> <li>• Flat pin terminal as protection class III device</li> <li>• Flying leads connection on request for coil size 20 mm</li> </ul>
Port connection	M5, G 1/8, NPT 1/8, flange
Approvals and conformities	
Degree of protection	IP65 with cable plug and ATEX/IECEx cable variant
North America (USA/Canada)	Further information can be found in chapter <a href="#">"3.5. North America (USA/Canada)"</a> on page 6.
Drinking water	Further information can be found in chapter <a href="#">"3.6. Drinking water"</a> on page 7.
Foods and beverages/Hygiene	Further information can be found in chapter <a href="#">"3.7. Foods and beverages/Hygiene"</a> on page 7.
Environment and installation	
Installation position	As required, preferably with actuator upright
Ambient temperature	Max. + 55 °C resp. + 75 °C (depending on power level)

1.) Measurement at + 20 °C, 6 bar at the valve outlet acc. to DIN ISO 12238:2001, opening: pressure build-up 0...10 %, closing: pressure reduction 100...90 %

## 1.2. DVGW variant

The solenoid valve Type 7011 DVGW is primarily intended as an automatic safety shut-off valve for fuel gases. A strainer is installed in the inlet of the valve.

Product properties	
<b>Material</b>	
Seal	NBR
Body	Brass, stainless steel 1.4305/303
Circuit function	A
<b>Performance data</b>	
Operating pressure	Max. 42 bar (depending on orifice and coil power)
<b>Medium data</b>	
Operating medium	Fuel gases (e.g. town gas, district gas, liquid gas, hydrogen) Further information can be found in chapter <a href="#">“4.1. Bürkert resistApp” on page 7.</a>
Medium temperature	- 20 °C...+ 80 °C
<b>Approvals and conformities</b>	
Fuel gases	Further information can be found in chapter <a href="#">“3.8. Others” on page 7.</a>
Standards	DIN EN 161:2016, DIN EN 16678:2016
<b>Environment and installation</b>	
Ambient temperature	- 20 °C...+ 55 °C

## 1.3. ATEX/IECEx cable variant

Product properties	
<b>Material</b>	
Seal	FKM, EPDM
Body	Brass, stainless steel 1.4305/303
<b>Connection</b>	
Thread	G 1/8, NPT 1/8, RC 1/8, M5, UNF 10 - 32
Flange	Flange “FK01”
Circuit function	A and B
Available coil size	SG3 (24.5 mm width)
<b>Performance data</b>	
Operating pressure	Max. 34 bar (depending on orifice and coil power)
<b>Medium data</b>	
Operating medium	Neutral gases and liquids (e.g. compressed air, water, hydraulic oil, technical vacuum)
<b>Medium temperature<sup>1)</sup></b>	
FKM	- 10 °C...+ 100 °C
EPDM	- 30 °C...+ 100 °C
<b>Product connections</b>	
Electrical connection	ATEX/IECEx cable variant with 3 m moulded-in cable
<b>Approvals and conformities</b>	
Explosion protection	Further information can be found in chapter <a href="#">“3.4. Explosion protection” on page 6.</a>
Degree of protection	IP65 with cable plug and ATEX/IECEx cable variant
<b>Environment and installation</b>	
<b>Ambient temperature<sup>1)</sup></b>	
FKM	- 10 °C...+ 55 °C (max. + 60 °C on request)
EPDM	- 30 °C...+ 55 °C (max. + 60 °C on request)

1.) The minimum temperature depends on the seal material.

## 2. Circuit functions

Symbol	Description
	<b>Circuit function A (CF A)</b> 2/2-way solenoid valve Direct-acting Normally closed
	<b>Circuit function B (CF B)</b> 2/2-way solenoid valve Direct-acting Normally open

## 3. Approvals and conformities

### 3.1. General notes

- The approvals and conformities listed below must be stated when making enquiries. This is the only way to ensure that the product complies with all required specifications.
- Not all available variants can be supplied with the below mentioned approvals or conformities.

### 3.2. Conformity

In accordance with the Declaration of Conformity, the product is compliant with the EU Directives.

### 3.3. Standards

The applied standards which are used to demonstrate compliance with the EU Directives are listed in the EU-Type Examination Certificate and/or the EU Declaration of Conformity.

### 3.4. Explosion protection

Approval	Description
	<b>Optional: Explosion protection (valid for coils with fixed cable outlet)</b>  <b>ATEX:</b> EPS 21 ATEX 1 128 X II 2G Ex mb IIC T4 Gb II 2D Ex mb IIIC T130 °C Db  <b>IECEx:</b> IECEx EPS 21.0045X Ex mb IIC T4 Gb Ex mb IIIC T130 °C Db  The fixed cable is halogen-free according to IEC 60754 - 1

### 3.5. North America (USA/Canada)

Approval	Description
	<b>Valid for coils: UL Recognized for the USA and Canada</b> The coils are UL Recognized for the USA and Canada according to: <ul style="list-style-type: none"> <li>• UL 429 (electrically operated valves)</li> <li>• CAN/CSA-C22.2 No. 139</li> </ul>

DTS 1000446515 EN Version: L Status: RL (released | freigegeben | valide) printed: 18.02.2026

### 3.6. Drinking water

Conformity	Description
<b>H<sub>2</sub>O</b>	<p><b>Suitable for use in drinking water applications</b> The materials comply with the assessment principles (UBA) for materials in contact with drinking water (TrinkwasserV).</p> <p><b>PA body:</b> PF36: Suitable for products with a maximum temperature of + 60 °C (warm water)</p> <p><b>PPS/brass/stainless steel body:</b> PF39: Suitable for products with a maximum temperature of + 85 °C (hot water)</p>

### 3.7. Foods and beverages/Hygiene

Conformity	Description
<b>FDA</b>	<p><b>FDA – Code of Federal Regulations (valid for the variable code PL02, PL03)</b> All wetted materials are compliant with the Code of Federal Regulations published by the FDA (Food and Drug Administration, USA) according to the manufacturer's declaration.</p>
<b>USP</b>	<p><b>United States Pharmacopeial Convention (USP) (valid for the variable code PL04)</b> All wetted materials are biocompatible according to the manufacturer's declaration.</p>
	<p><b>EC Regulation 1935/2004 of the European Parliament and of the Council (valid for the variable code PL01, PL02)</b> All wetted materials are compliant with EC Regulation 1935/2004/EC according to the manufacturer's declaration.</p>

### 3.8. Others

#### Fuel gases

Conformity	Description
<b>CE</b>	<p><b>Fuel gases (valid for the variable code PO19)</b> The products comply with:</p> <ul style="list-style-type: none"> <li>• Regulation (EU) 2016/426 – Appliances burning gaseous fuels and</li> <li>• DVGW DIN EN 161 (Automatic shut-off valves for gas burners and gas appliances) and</li> <li>• DIN EN 16678, Class A or Class D (Safety and control devices for gas burners and gas burning appliances – Automatic shut-off valves for operating pressure of above 500 kPa up to and including 6300 kPa)</li> </ul>
	<p><b>Optional: DIN EN 549:2023-07 certification</b> The wetted valve seals are compliant with DIN EN 549:2023-07 (Rubber materials for seals and diaphragms for gas appliances and gas equipment) for medium temperatures of - 20 °C...+ 80 °C.</p>

## 4. Materials

### 4.1. Bürkert resistApp

**Bürkert resistApp – Chemical resistance chart**

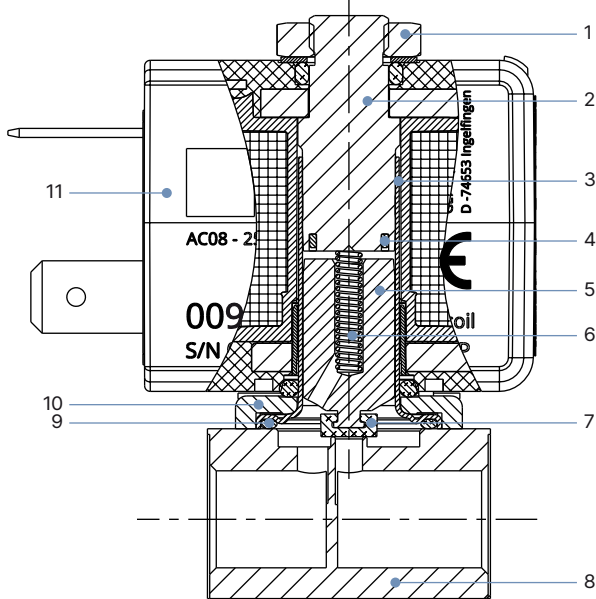
You want to ensure the reliability and durability of the materials in your individual application case? Verify your combination of media and materials on our website or in our resistApp.

Start chemical resistance check

DTS\_1000446515\_EN\_Version: L\_Status: RL (released | freigegeben | valide) printed: 18.02.2026

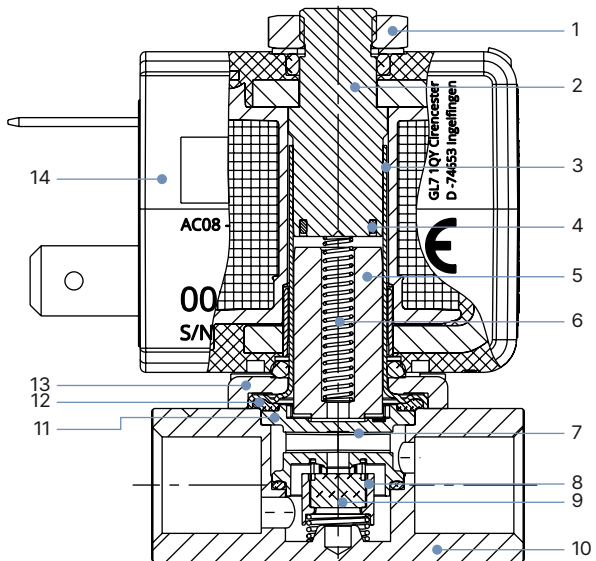
### 4.2. Material specifications

#### Standard variant circuit function A



No.	Element	Material
1	Nut	DIN 176 Surface finish thick film passivated KOSA0101
2	Stopper	Stainless steel 1.4113/434
3	Core guide tube	Stainless steel 1.4303 ST/305L
4	Shading ring	Copper (optional silver)
5	Core	Stainless steel 1.4113/434
6	Spring	Stainless steel 1.4310/301
7	Seal	FKM/EPDM
8	Valve body	Brass, stainless steel 1.4305/303, PA (polyamide)
9	O-ring	FKM/EPDM
10	Flange	<ul style="list-style-type: none"> <li>Surface finish thick film passivated KOSA0101 (brass variant)</li> <li>Nickel-plated surface (stainless steel variant)</li> </ul>
11	Coil	Epoxy

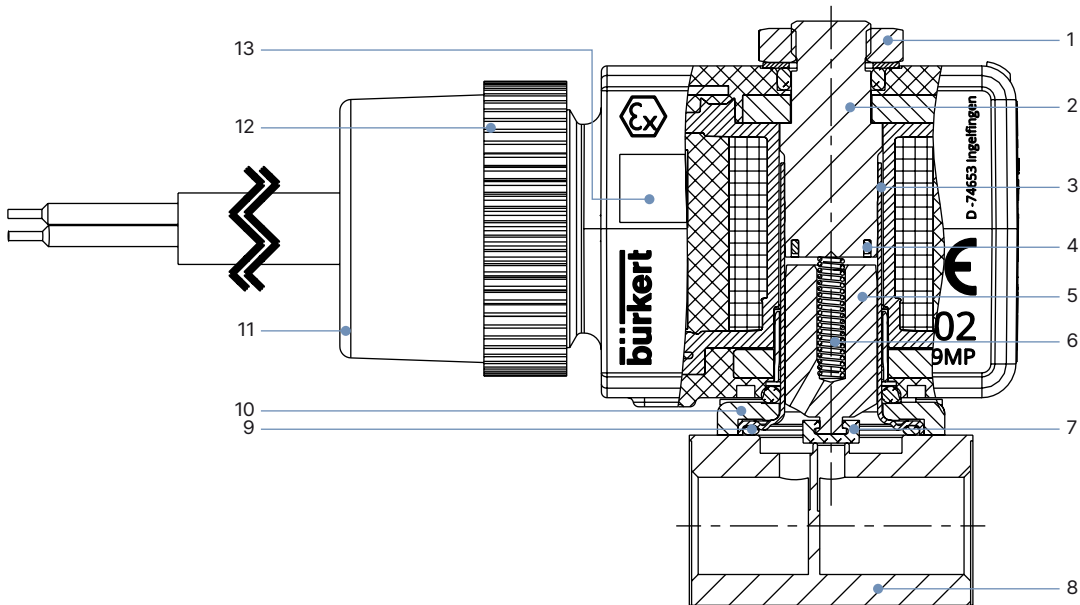
#### Standard variant circuit function B



No.	Element	Material
1	Nut	DIN 176 Surface finish thick film passivated KOSA0101
2	Stopper	Stainless steel 1.4113/434
3	Core guide tube	Stainless steel 1.4303 ST/305L
4	Shading ring	Copper (optional silver)
5	Core	Stainless steel 1.4113/434
6	Spring	Stainless steel 1.4310/301
7	Insert	PEEK GF30
8	Seal holder	PEEK GF30
9	Seat seal	FKM
10	Valve body	Brass, stainless steel 1.4305/303, PA (polyamide)
11	Seal	FKM/EPDM
12	O-ring	FKM/EPDM
13	Flange	<ul style="list-style-type: none"> <li>Surface finish thick film passivated KOSA0101 (brass variant)</li> <li>Nickel-plated surface (stainless steel variant)</li> </ul>
14	Coil	Epoxy

DTS 1000446515 EN Version: L Status: RL (released | freigegeben | valide) printed: 18.02.2026

ATEX/IECEx cable variant



No.	Element	Material
1	Nut	DIN 176 Surface finish thick film passivated KOSA0101
2	Stopper	Stainless steel 1.4113/434
3	Core guide tube	Stainless steel 1.4303 ST/305L
4	Shading ring	Copper (optional silver)
5	Core	Stainless steel 1.4113/434
6	Spring	Stainless steel 1.4310/301
7	Seal	FKM/EPDM
8	Valve body	Brass, stainless steel 1.4305/303, PA (polyamide)
9	O-ring	FKM/EPDM
10	Flange	<ul style="list-style-type: none"> <li>Surface finish thick film passivated KOSA0101 (brass variant)</li> <li>Nickel-plated surface (stainless steel variant)</li> </ul>
11	Sealing ring	Silicone
12	Union nut	PA (Polyamide)
13	Coil	Epoxy

DTS 1000446515 EN Version: L Status: RL (released | freigegeben | valide) printed: 18.02.2026

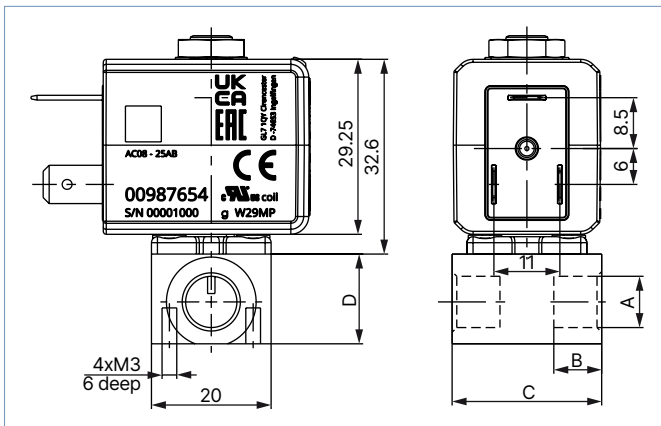
## 5. Dimensions

### 5.1. Standard variant

#### Threaded variant

**Note:**

- Dimensions in mm
- Variants according to industry standard form B

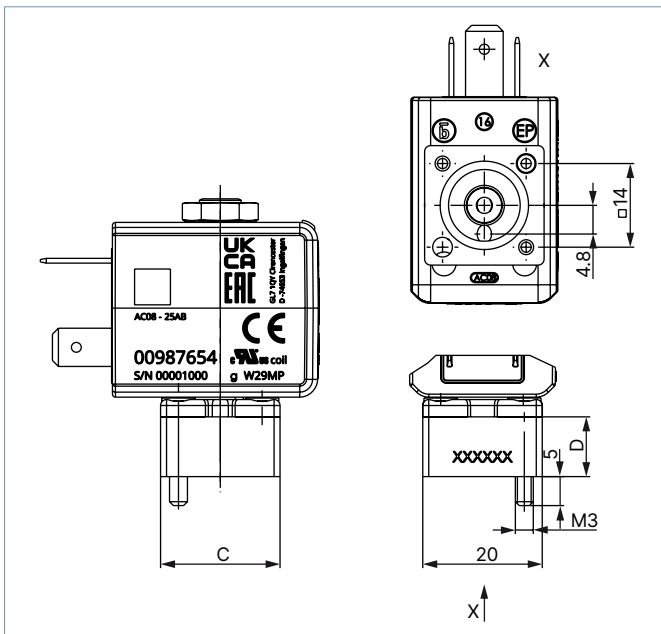


Port connection	A	B	C	D
		[mm]	[mm]	[mm]
Thread CF A	M5	5	20	10
	G 1/8	8	25	15
	NPT 1/8	7	25	15
Thread CF B	G 1/8	8	34	14
	NPT 1/8	7	34	14

#### Flange variant

**Note:**

- Dimensions in mm
- Variants according to industry standard form B



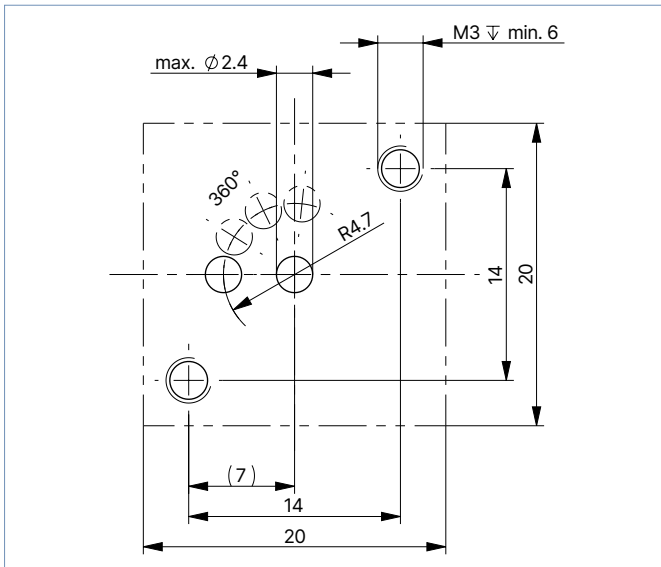
Port connection	A	B	C	D
		[mm]	[mm]	[mm]
Flange CF A	-	-	20	10
Flange CF B	-	-	25	15

DTS 1000446515 EN Version: L Status: RL (released | freigegeben | valide) printed: 18.02.2026

**Flange pattern**

**Note:**

- Dimensions in mm
- On the connection side, the geometries are to be realised as shown in the following drawing.
- Flange variant (FK01) according to FST 1000225877

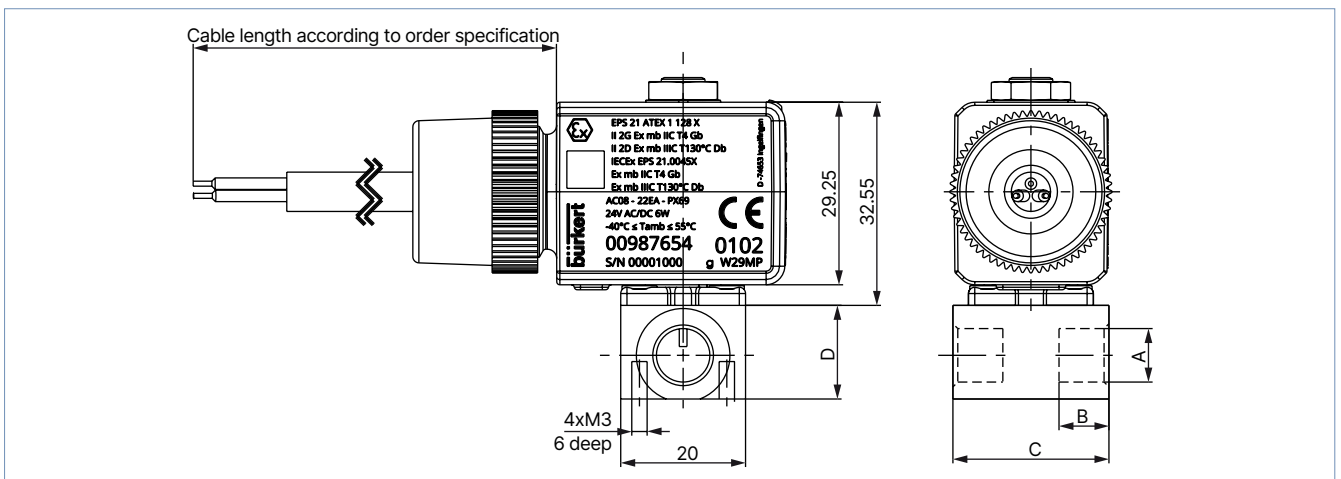


**5.2. ATEX/IECEx cable variant**

**Threaded variant**

**Note:**

Dimensions in mm



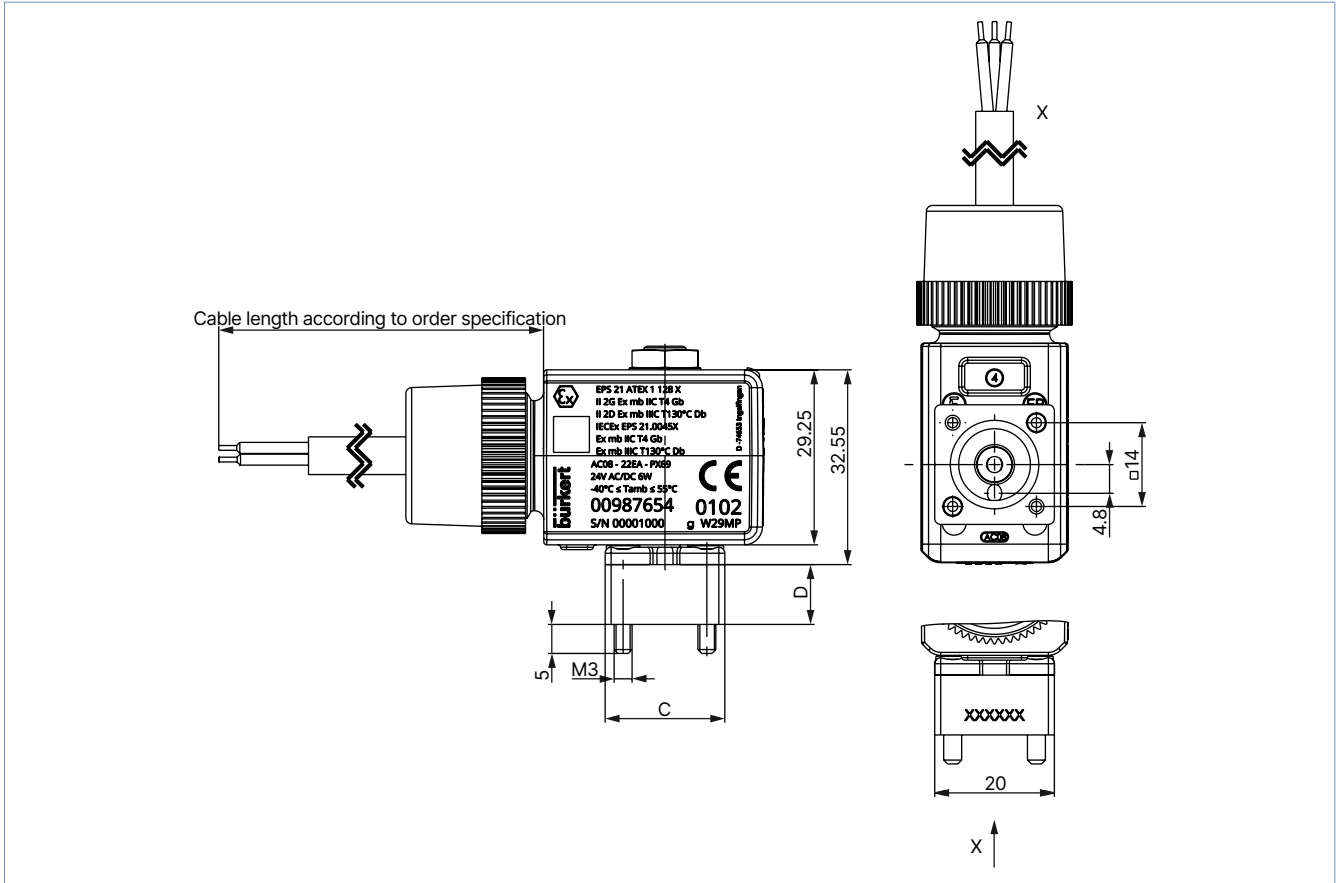
Port connection	A	B	C	D
		[mm]	[mm]	[mm]
Thread	M5	5	20	10
Thread	G 1/8	8	25	15

DTS 1000446515 EN Version: L Status: RL (released | freigegeben | valide) printed: 18.02.2026

**Flange variant**

**Note:**

Dimensions in mm

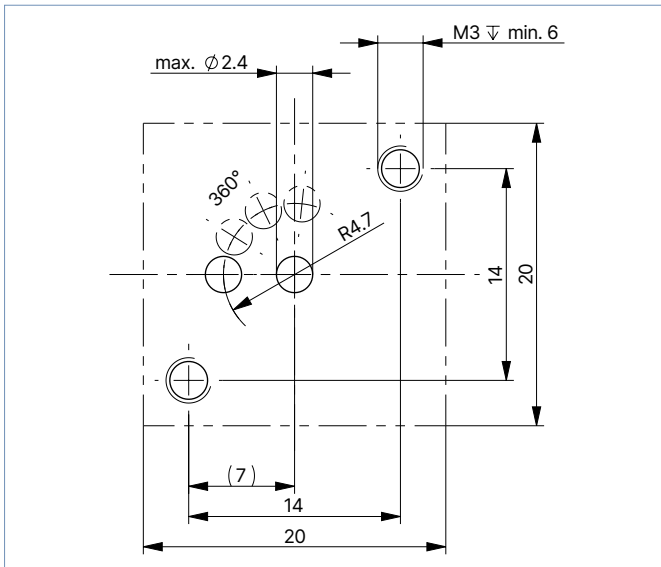


Port connection	A	B	C	D
		[mm]	[mm]	[mm]
Flange CF A	-	-	20	11
Flange CF B	-	-	25	15

**Flange pattern**

**Note:**

- Dimensions in mm
- On the connection side, the geometries are to be realised as shown in the following drawing.
- Flange variant (FK01) according to FST 1000225877

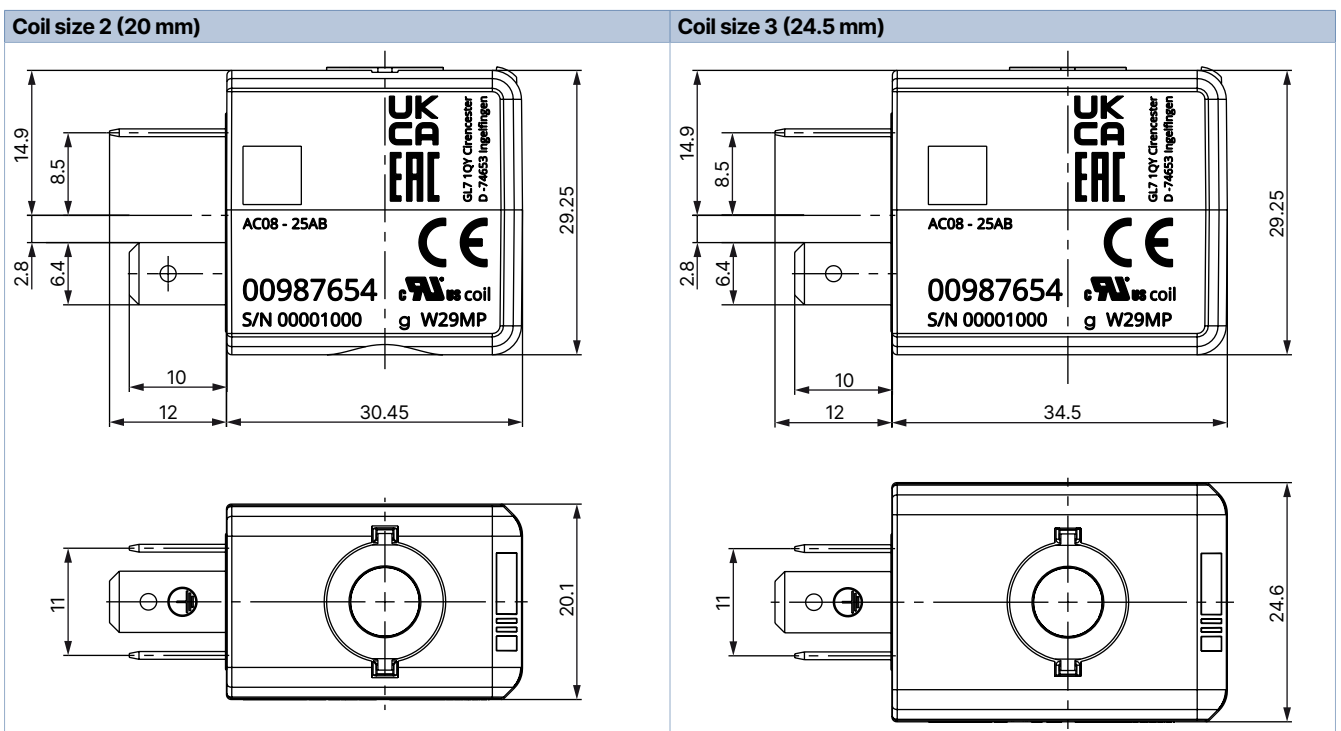


**5.3. Coil variants**

**Variants according to industry standard form B**

**Note:**

Dimensions in mm

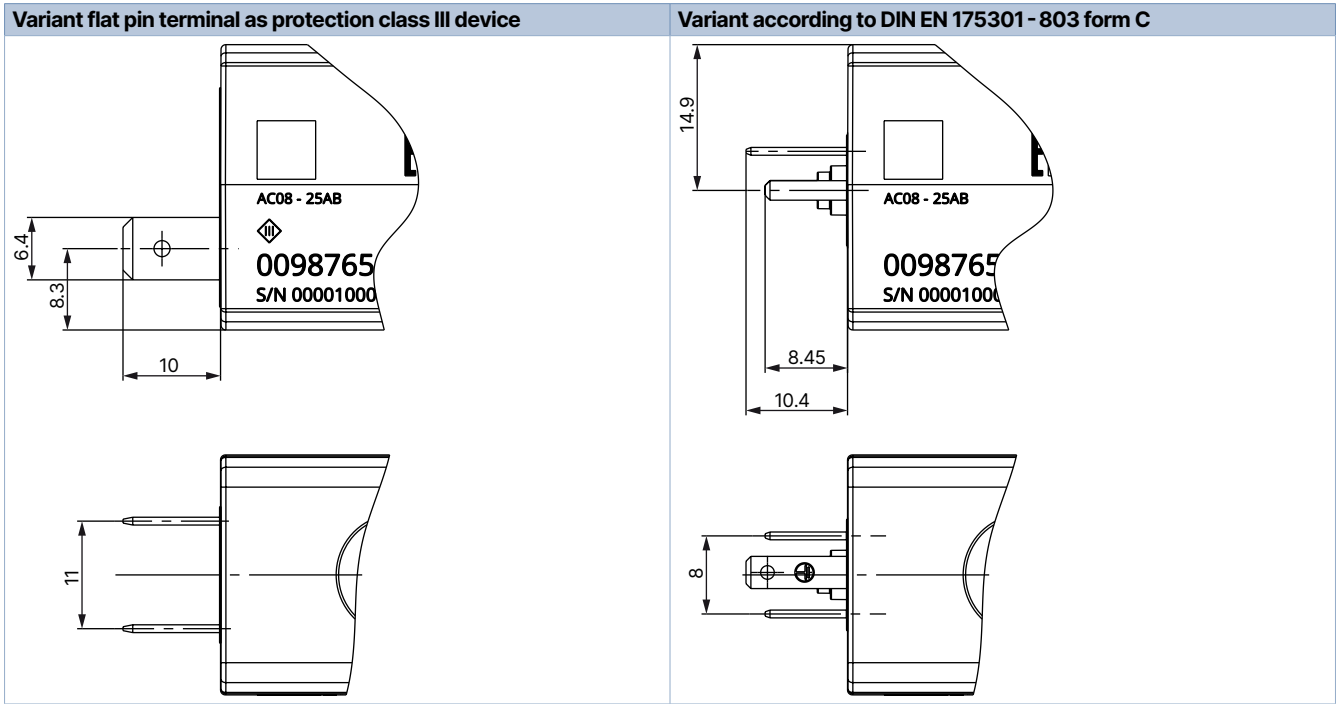


DTS 1000446515 EN Version: L Status: RL (released | freigegeben | valide) printed: 18.02.2026

**Further electrical connections**

**Note:**

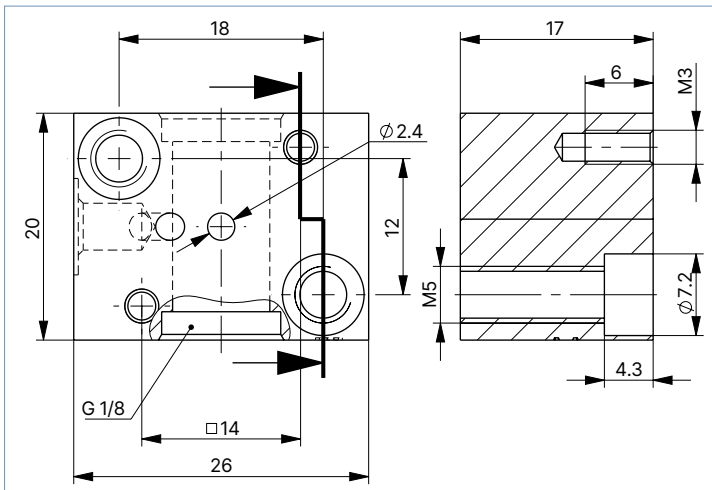
- Dimensions in mm
- Specifications apply to coil sizes 20 mm and 24.5 mm



**5.4. Single manifold**

**Note:**

Dimensions in mm



Quantity of valve slots	A [mm]	B [mm]	C [mm]	Article no.
1	20	12	-	005312 𐀀

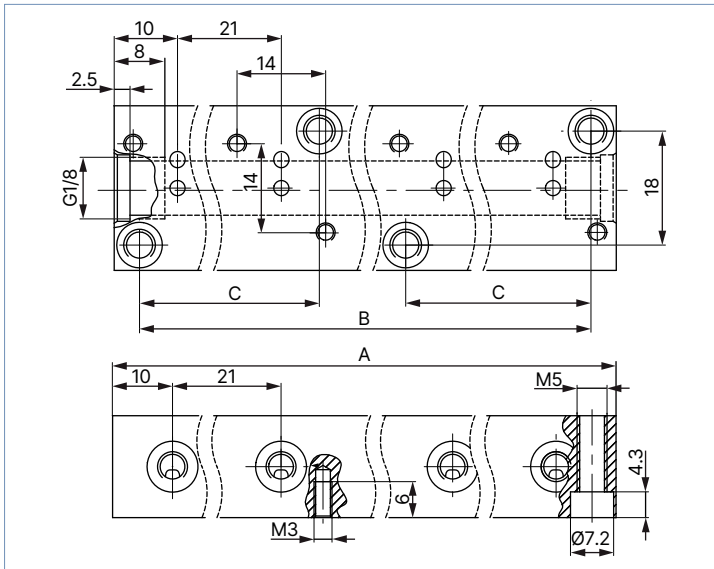
DTS 1000446515 EN Version: L Status: RL (released | freigegeben | valide) printed: 18.02.2026

### 5.5. Multiple manifold

#### Manifolds for valves with 20 mm coil (SG2)

**Note:**

- Dimensions in mm
- Can only be combined with Type 7011 valves with coil size 20 mm

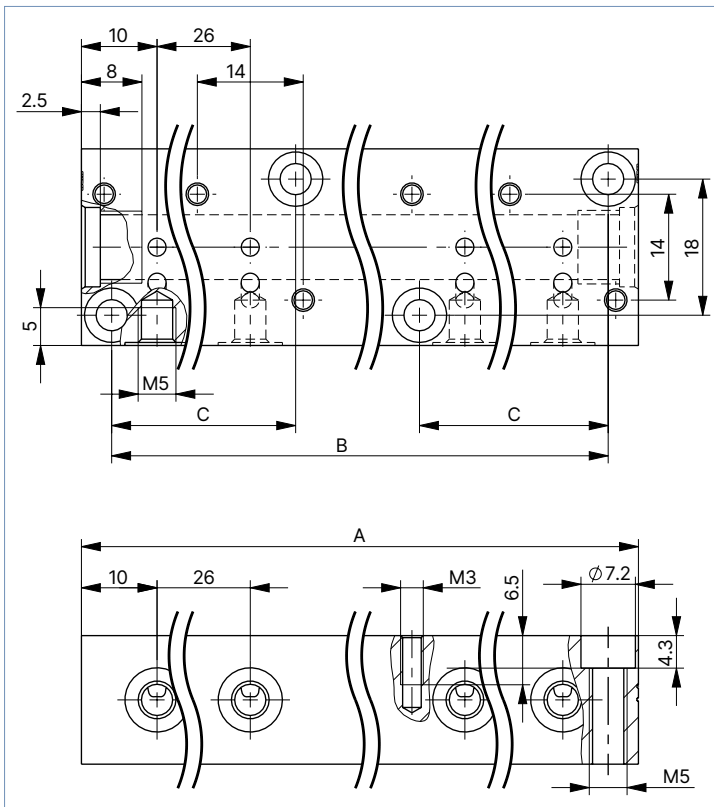


Quantity of valve slots	A [mm]	B [mm]	C [mm]	Article no.
2	41	33	-	005355
3	62	54	-	005313
4	83	75	-	005314
5	104	96	-	005315
6	125	117	-	005316
7	146	138	-	005893
8	167	159	54	005166
9	188	180	54	005241
10	209	201	75	005819
11	230	222	75	005242
12	251	243	96	005222

#### Manifolds for valves with 24.5 mm coil (SG3) resp. CF B

**Note:**

- Dimensions in mm
- Can be combined with Type 7011 valves with coil size 24.5 mm resp. for Type 7011 valves with CF B



Quantity of valve slots	A [mm]	B [mm]	C [mm]	Article no.
2	46	38	-	60021427
3	72	64	-	60021342
4	98	90	-	60021429
5	124	116	-	60021428
6	150	142	-	60021442
7	176	168	-	20060327
8	202	194	64	20060338
9	228	220	64	20060341
10	254	246	90	20015744
11	280	272	90	20060374
12	306	298	116	20060376

DTS 1000446515 EN Version: L Status: RL (released | freigegeben | valide) printed: 18.02.2026

## 6. Product connections

### 6.1. Port connection

#### Pin assignment

Threaded variant CF A	Threaded variant CF A (+MC14)	Flange variant CF A
Flange variant CF A (+MC14)	Flange variant CF A (+AA05)	Flange variant CF A (+AC45+AD33 / +AD33+NA02)
Threaded variant CF B	Flange variant CF B	Flange variant CF B (+AD01)

DTS 1000446515 EN Version: L Status: RL (released | freigegeben | valide) printed: 18.02.2026

**Pin assignment vacuum applications**

In vacuum applications the existing flow direction must be maintained. Vacuum must therefore always be applied to A. (Other terminal assignment on request)

**7. Performance specifications**

**7.1. Power consumption**

Standard variant, coil size 24.5 mm

Coil	Orifice [mm]	Electrical power					Switching times <sup>1)</sup>	
		Inrush AC	Hold AC		DC		Opening	Closing
		[VA]	[VA]	[W]	Cold [W]	Warm [W]	[ms]	[ms]
24 V/DC/7 W	1.2	–	–	–	7	5.5	8..15	10..17
	1.6							
	2.0							
	2.4							
24 V/50 Hz/6 W	1.2	14	8	6	–	–		
	1.6							
	2.0							
	2.4							
230 V/50 Hz/6 W	1.2	14	8	6	–	–		
	1.6							
	2.0							
	2.4							
24 V/DC/5.5 W	1.2	–	–	–	5.5	4.5		
	1.6							
	2.0							
	2.4							
24 V/50 Hz/4 W	1.2	12	6.5	4	–	–		
	1.6							
	2.0							
	2.4							
230 V/50 Hz/4 W	1.2	12	6.5	4	–	–		
	1.6							
	2.0							
	2.4							
24 V/DC/14 W	1.2	–	–	–	14	11		
	1.6							
	2.0							
	2.4							
24 V/DC/11 W	1.2	–	–	–	11	8.5		
	1.6							
	2.0							
	2.4							

1.) Measurement at +20 °C, 6 bar<sup>2)</sup> at the valve outlet acc. to DIN ISO 12238:2001, opening: pressure build-up 0..10%, closing: pressure reduction 100..90%  
 2.) Pressure data: Overpressure to atmospheric pressure and air as a medium

DTS 1000446515 EN Version: L Status: RL (released | freigegeben | valide) printed: 18.02.2026

Standard variant, coil size 20 mm

Coil	Orifice [mm]	Electrical power					Switching times <sup>1)</sup>	
		Inrush AC [VA]	Hold AC [VA]	[W]	DC Cold [W]	Warm [W]	Opening [ms]	Closing [ms]
24 V/DC/6.5 W	1.2	–	–	–	6.5	5	8...15	10...17
	1.6							
	2.0							
	2.4							
24 V/50 Hz/6 W	1.2	11	7	6	–	–		
	1.6							
	2.0							
	2.4							
230 V/50 Hz/6 W	1.2	11	7	6	–	–		
	1.6							
	2.0							
	2.4							
24 V/DC/5 W	1.2	–	–	–	5	4		
	1.6							
	2.0							
	2.4							
24 V/50 Hz/4 W	1.2	9	5	4	–	–		
	1.6							
	2.0							
	2.4							
230 V/50 Hz/4 W	1.2	9	5	4	–	–		
	1.6							
	2.0							
	2.4							
24 V/DC/14 W	1.2	–	–	–	14	11		
	1.6							
	2.0							
	2.4							
24 V/DC/11 W	1.2	–	–	–	11	9		
	1.6							
	2.0							
	2.4							

1.) Measurement at +20 °C, 6 bar<sup>2)</sup> at the valve outlet acc. to DIN ISO 12238:2001, opening: pressure build-up 0...10 %, closing: pressure reduction 100...90 %  
 2.) Pressure data: Overpressure to atmospheric pressure and air as a medium

DTS 1000446515 EN Version: L Status: RL (released | freigegeben | valide) printed: 18.02.2026

## 8. Ordering information

### 8.1. Bürkert eShop



#### Bürkert eShop – Easy ordering and quick delivery

You want to find your desired Bürkert product or spare part quickly and order directly? Our online shop is available for you 24/7. Sign up and enjoy all the benefits.

[Order online now](#)

### 8.2. Bürkert product filter

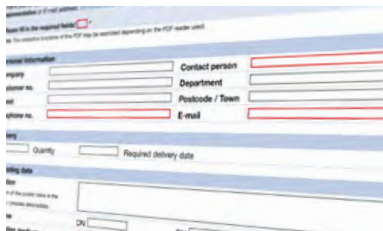


#### Bürkert product filter – Get quickly to the right product

You want to select products comfortably based on your technical requirements? Use the Bürkert product filter and find suitable articles for your application quickly and easily.

[Try out our product filter](#)

### 8.3. Bürkert Product Enquiry Form



#### Bürkert Product Enquiry Form – Your enquiry quickly and compactly

Would you like to make a specific product enquiry based on your technical requirements? Use our Product Enquiry Form for this purpose. There you will find all the relevant information for your Bürkert contact. This will enable us to provide you with the best possible advice.

[Fill out the form now](#)

DTS 1000446515 EN Version: L Status: RL (released | freigegeben | valide) printed: 18.02.2026

### 8.4. Ordering chart

Standard variant according to industry standard form B, coil size 24.5 mm

**Note:**

All valves are delivered without a cable plug.

Circuit function	Port connection	Orifice	K <sub>v</sub> value water <sup>1)</sup>	Voltage/ Frequency/ Power	Maximum duty cycle	Pressure range <sup>2)</sup>				Article no.					
						Ambient temperature + 75 °C		Ambient temperature + 55 °C		Brass body	Stainless steel body				
		[mm]	[m <sup>3</sup> /h]	[V/Hz/W]	Water [bar]	Air [bar]	Water [bar]	Air [bar]	FKM seal						
<b>CF A</b> 2/2-way solenoid valve Direct-acting Normally closed 	M5	1.2	0.045	24/DC/7	100 % ED	-	-	0...23	0...23	380543	389721				
				24/50/6		-	-	0...45	0...45	389723	389726				
				230/50/6		-	-	0...45	0...45	389738	389739				
				24/DC/5.5		0...16	0...16	-	-	389740	389742				
				24/DC/5.5		-	-	0...19	0...19	o. r.	o. r.				
				24/50/4		0...42	0...42	0...42	0...42	389744	389746				
				230/50/4		0...42	0...42	0...42	0...42	389751	389750				
				24/DC/14		-	-	0...45	0...45	o. r.	o. r.				
				24/DC/11		0...35	0...35	-	-	o. r.	o. r.				
				24/DC/11		-	-	0...37	0...37	o. r.	o. r.				
				24/DC/7		1.6	0.060	24/DC/7	100 % ED	-	-	0...12	0...13	385450	389753
				24/50/6				-		-	0...30	0...30	389757	389755	
		230/50/6	-	-	0...30			0...30		389759	389761				
		24/DC/5.5	0...9	0...9	-			-		389765	389762				
		24/DC/5.5	-	-	0...10.5			0...10.5		o. r.	o. r.				
		24/50/4	0...24	0...24	0...24			0...24		389781	389783				
		230/50/4	0...24	0...24	0...24			0...24		389786	389785				
		24/DC/14	-	-	0...25			0...25		o. r.	o. r.				
		24/DC/11	0...20	0...20	-			-		o. r.	o. r.				
		24/DC/11	-	-	0...22			0...22		o. r.	o. r.				
		24/DC/7	2.0	0.110	24/DC/7			100 % ED		-	-	0...9	0...9	385455	389787
		24/50/6			-					-	0...22	0...22	389791	389789	
		230/50/6			-	-	0...22		0...22	389793	389794				
		24/DC/5.5			0...6.5	0...6.5	-		-	389797	389795				
		24/DC/5.5			-	-	0...7		0...7	o. r.	o. r.				
		24/50/4			0...18	0...18	0...18		0...18	389799	393079				
		230/50/4			0...18	0...18	0...18		0...18	389801	389802				
		24/DC/14			-	-	0...19		0...19	o. r.	o. r.				
		24/DC/11			0...14	0...14	-		-	o. r.	o. r.				
		24/DC/11			-	-	0...16		0...16	o. r.	o. r.				
		24/DC/7			2.4	0.130	24/DC/7		100 % ED	-	-	0...3.5	0...5	385457	389805
		24/50/6					-			-	0...13	0...13	389807	389809	
		230/50/6	-	-			0...13	0...13		389811	389812				
		24/DC/5.5	0...3	0...3.5			-	-		389813	389815				
		24/DC/5.5	-	-			0...3.5	0...4		o. r.	o. r.				
		24/50/4	0...10	0...10			0...10	0...10		389817	389819				
230/50/4	0...10	0...10	0...10	0...10			389821	389822							
24/DC/14	-	-	0...9	0...10			o. r.	o. r.							
24/DC/11	0...6.5	0...7	-	-			o. r.	o. r.							
24/DC/11	-	-	0...7.5	0...8			o. r.	o. r.							

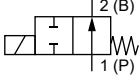
DTS 1000446515 EN Version: L Status: RL (released | freigegeben | valide) printed: 18.02.2026

Circuit function	Port connection	Orifice	K <sub>v</sub> value water <sup>1)</sup>	Voltage/ Frequency/ Power	Maximum duty cycle	Pressure range <sup>2)</sup>				Article no.	
						Ambient temperature + 75 °C		Ambient temperature + 55 °C		Brass body	Stainless steel body
		Water	Air	Water	Air	FKM seal					
		[bar]	[bar]	[bar]	[bar]						
<b>CFA</b> 2/2-way solenoid valve Direct-acting Normally closed 	G 1/8	1.2	0.045	24/DC/7	100 % ED	-	-	0...23	0...23	375821	375828
				24/50/6		-	-	0...45	0...45	389532	389540
				230/50/6		-	-	0...45	0...45	375968	375979
				24/DC/5.5		0...16	0...16	-	-	375852	375860
				24/DC/5.5		-	-	0...19	0...19	o. r.	o. r.
				24/50/4		0...42	0...42	0...42	0...42	389537	389544
				230/50/4		0...42	0...42	0...42	0...42	376005	376013
				24/DC/14		-	-	0...45	0...45	o. r.	o. r.
				24/DC/11		0...35	0...35	-	-	o. r.	o. r.
				24/DC/11		-	-	0...37	0...37	o. r.	o. r.
				24/DC/7		-	-	0.12	0.13	374309	375829
				24/50/6		-	-	0...30	0...30	389657	389658
		230/50/6	-	-	0...30	0...30	375969	375980			
		24/DC/5.5	0...9	0...9	-	-	375853	375861			
		24/DC/5.5	-	-	0...10.5	0...10.5	o. r.	o. r.			
		24/50/4	0...24	0...24	0...24	0...24	389661	389662			
		230/50/4	0...24	0...24	0...24	0...24	376006	376015			
		24/DC/14	-	-	0...25	0...25	o. r.	o. r.			
		24/DC/11	0...20	0...20	-	-	o. r.	o. r.			
		24/DC/11	-	-	0...22	0...22	o. r.	o. r.			
		24/DC/7	-	-	0...9	0...9	375822	375830			
		24/50/6	-	-	0...22	0...22	389677	389680			
		230/50/6	-	-	0...22	0...22	375970	375981			
		24/DC/5.5	0...6.5	0...6.5	-	-	375854	375862			
		24/DC/5.5	-	-	0...7	0...7	o. r.	o. r.			
		24/50/4	0...18	0...18	0...18	0...18	389672	389669			
		230/50/4	0...18	0...18	0...18	0...18	376007	376016			
		24/DC/14	-	-	0...19	0...19	o. r.	o. r.			
		24/DC/11	0...14	0...14	-	-	o. r.	o. r.			
		24/DC/11	-	-	0...16	0...16	o. r.	o. r.			
		24/DC/7	-	-	0...3.5	0...5	375823	375831			
		24/50/6	-	-	0...13	0...13	393638	393689			
		230/50/6	-	-	0...13	0...13	375971	375982			
		24/DC/5.5	0...3	0...3.5	-	-	375855	375863			
		24/DC/5.5	-	-	0...3.5	0...4	o. r.	o. r.			
		24/50/4	0...10	0...10	0...10	0...10	389696	389697			
		230/50/4	0...10	0...10	0...10	0...10	376008	376017			
		24/DC/14	-	-	0...9	0...10	o. r.	o. r.			
		24/DC/11	0...6.5	0...7	-	-	o. r.	o. r.			
		24/DC/11	-	-	0...7.5	0...8	o. r.	o. r.			

DTS 1000446515 EN Version: L Status: RL (released | freigegeben | valide) printed: 18.02.2026

Circuit function	Port connection	Orifice	K <sub>v</sub> value water <sup>1)</sup>	Voltage/ Frequency/ Power	Maximum duty cycle	Pressure range <sup>2)</sup>				Article no.	
						Ambient temperature + 75 °C		Ambient temperature + 55 °C		Brass body	Stainless steel body
		[mm]	[m <sup>3</sup> /h]	[V/Hz/W]	Water [bar]	Air [bar]	Water [bar]	Air [bar]	FKM seal		
<b>CFA</b> 2/2-way solenoid valve Direct-acting Normally closed 	Flange (FK01)	1.2	0.045	24/DC/7	100 % ED	-	-	0...23	0...23	375836	375844
				24/50/6		-	-	0...45	0...45	389699	389700
				230/50/6		-	-	0...45	0...45	375987	375996
				24/DC/5.5		0...16	0...16	-	-	375868	375876
				24/DC/5.5		-	-	0...19	0...19	o. r.	o. r.
				24/50/4		0...42	0...42	0...42	0...42	389704	389703
				230/50/4		0...42	0...42	0...42	0...42	376023	376031
				24/DC/14		-	-	0...45	0...45	o. r.	o. r.
				24/DC/11		0...35	0...35	-	-	o. r.	o. r.
				24/DC/11		-	-	0...37	0...37	o. r.	o. r.
				24/DC/7		-	-	0.12	0.13	375837	375845
				24/50/6		-	-	0...30	0...30	389705	389706
		230/50/6	-	-	0...30	0...30	375988	375997			
		24/DC/5.5	0...9	0...9	-	-	375869	375877			
		24/DC/5.5	-	-	0...10.5	0...10.5	o. r.	o. r.			
		24/50/4	0...24	0...24	0...24	0...24	389708	389709			
		230/50/4	0...24	0...24	0...24	0...24	376024	376032			
		24/DC/14	-	-	0...25	0...25	o. r.	o. r.			
		24/DC/11	0...20	0...20	-	-	o. r.	o. r.			
		24/DC/11	-	-	0...22	0...22	o. r.	o. r.			
		24/DC/7	-	-	0...9	0...9	375838	375846			
		24/50/6	-	-	0...22	0...22	389711	389712			
		230/50/6	-	-	0...22	0...22	375989	375999			
		24/DC/5.5	0...6.5	0...6.5	-	-	375870	375878			
		24/DC/5.5	-	-	0...7	0...7	o. r.	o. r.			
		24/50/4	0...18	0...18	0...18	0...18	389714	389715			
		230/50/4	0...18	0...18	0...18	0...18	376025	376033			
		24/DC/14	-	-	0...19	0...19	o. r.	o. r.			
		24/DC/11	0...14	0...14	-	-	o. r.	o. r.			
		24/DC/11	-	-	0...16	0...16	o. r.	o. r.			
		24/DC/7	-	-	0...3.5	0...5	375839	375847			
		24/50/6	-	-	0...13	0...13	389716	389717			
		230/50/6	-	-	0...13	0...13	375990	376000			
		24/DC/5.5	0...3	0...3.5	-	-	375871	375879			
		24/DC/5.5	-	-	0...3.5	0...4	o. r.	o. r.			
		24/50/4	0...10	0...10	0...10	0...10	389719	389718			
230/50/4	0...10	0...10	0...10	0...10	376026	376034					
24/DC/14	-	-	0...9	0...10	o. r.	o. r.					
24/DC/11	0...6.5	0...7	-	-	o. r.	o. r.					
24/DC/11	-	-	0...7.5	0...8	o. r.	o. r.					

DTS 1000446515 EN Version: L Status: RL (released | freigegeben | valide) printed: 18.02.2026

Circuit function	Port connection	Orifice	K <sub>v</sub> value water <sup>1)</sup>	Voltage/Frequency/Power	Maximum duty cycle	Pressure range <sup>2)</sup>				Article no.	
						Ambient temperature + 75 °C		Ambient temperature + 55 °C		Brass body	Stainless steel body
		[mm]	[m <sup>3</sup> /h]	[V/Hz/W]	Water [bar]	Air [bar]	Water [bar]	Air [bar]	FKM seal		
<b>CFB</b> 2/2-way solenoid valve Direct-acting Normally open 	G 1/8	2.0	0.100	24/DC/7	100 % ED	-	-	-	0...12	20007424	o. r.
				24/50/6		-	-	-	0...14.5	o. r.	o. r.
				230/50/6		-	-	-	0...14.5	20007106	o. r.
				24/DC/5.5		-	0...10	-	-	20007425	o. r.
				24/50/4		-	0...13	-	-	o. r.	o. r.
				230/50/4		-	0...13	-	-	20007423	o. r.
				Flange (FK01)		2.0	0.100	24/DC/7	100 % ED	-	-
	24/50/6	-	-	-	0...14.5			o. r.		o. r.	
	230/50/6	-	-	-	0...14.5			20009536		o. r.	
	24/DC/5.5	-	0...10	-	-			20009530		o. r.	
	24/50/4	-	0...13	-	-			o. r.		o. r.	
	230/50/4	-	0...13	-	-			20009532		o. r.	

o. r. = on request

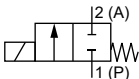
1.) Measurement at + 20 °C, 6 bar<sup>2)</sup> at the valve inlet and free outlet

2.) Pressure data: overpressure to atmospheric pressure and air as a medium

**DVGW variant**

**Note:**

- With NBR seal and brass body (class B)
- According to gas appliance directive: valve class A, valve group 2

Circuit function	Port connection	Orifice	K <sub>v</sub> value water <sup>1)</sup>	Voltage/Frequency/Power	Maximum duty cycle	Pressure range <sup>2)3)</sup>		Article no.	
						Ambient temperature + 55 °C		Brass body	Stainless steel body
		[mm]	[m <sup>3</sup> /h]	[V/Hz/W]	Air [bar]	FKM seal			
<b>CF A</b> 2/2-way solenoid valve Direct-acting Normally closed 	G 1/8	1.2	0.040	24/DC/7	100 % ED	0...23	20010449	o. r.	
				24/DC/5.5		0...19	20010443	o. r.	
				0.045		24/50/4	0...42	-	o. r.
				230/50/4		0...42	20010456	o. r.	
		1.6	0.055	24/DC/7	100 % ED	0...13	20010450	o. r.	
				24/DC/5.5		0...10.5	20009374	o. r.	
				0.060		24/50/4	0...24	-	o. r.
				230/50/4		0...24	20010460	o. r.	
		2.0	0.070	24/DC/7	100 % ED	0...9	20010451	o. r.	
				24/DC/5.5		0...7	20010446	o. r.	
				0.110		24/50/4	0...18	-	o. r.
				230/50/4		0...18	20010461	o. r.	
		2.4	0.090	24/DC/7	100 % ED	0...5	20010454	o. r.	
				24/DC/5.5		0...4	20010447	o. r.	
				0.130		24/50/6	0...10	-	o. r.
				230/50/6		0...10	20010464	o. r.	

o. r. = on request

- = not available

1.) Measurement at + 20 °C, 6 bar<sup>2)</sup> at the valve inlet and free outlet

2.) Pressure data: Overpressure to atmospheric pressure and air as a medium

DTS 1000446515 EN Version: L Status: RL (released | freigegeben | valide) printed: 18.02.2026

**ATEX/IECEX cable variant**

**Note:**

- The maximum medium temperature must never exceed the permitted temperature class (T4: + 135 °C) minus 5 K.
- Only single mounting permissible
- Standard with 3 m cable, other lengths are available on request.

Circuit function	Port connection	Orifice	K <sub>v</sub> value water <sup>1)</sup>	Voltage/Frequency/Power	Maximum duty cycle	Pressure range <sup>2)3)</sup>		Article no.			
						Ambient temperature + 55 °C		Brass body	Stainless steel body		
		[mm]	[m <sup>3</sup> /h]	[V/Hz/W]	Water [bar]	Air [bar]	FKM seal				
<b>CF A</b> 2/2-way solenoid valve Direct-acting Normally closed 	G 1/8	1.2	0.045	24 / AC/DC / 6	100 % ED	0...16	0...16	20009727	20053228		
				24 / 50 / 6		0...34	0...34	20012934	20053229		
				230 / 50 / 6		0...34	0...34	20014398	20053230		
		1.6	0.060	24 / AC/DC / 6	100 % ED	0...10	0...10	20009728	20030686	20009728	20030686
				24 / 50 / 6		0...18	0...18	20012935	20053234		
				230 / 50 / 6		0...18	0...18	20014408	20053235		
		2.0	0.110	24 / AC/DC / 6	100 % ED	0...7	0...7	20009725	20053236	20009725	20053236
				24 / 50 / 6		0...13	0...13	20012931	20053237		
				230 / 50 / 6		0...13	0...13	20025748	20053240		
		2.4	0.130	24 / AC/DC / 6	100 % ED	0...3.5	0...4	20009729	20053243	20009729	20053243
				24 / 50 / 6		0...6.5	0...7	20012938	20053244		
				230 / 50 / 6		0...6.5	0...7	20014416	20053245		

o. r. = on request

1.) Measurement at + 20 °C, 6 bar<sup>2)</sup> at the valve inlet and free outlet

2.) Pressure data: overpressure to atmospheric pressure and air as a medium

**Standard variant according to industry standard form B, coil size 20 mm**

**Note:**

All valves are delivered without a cable plug.

Circuit function	Port connection	Orifice	K <sub>v</sub> value water <sup>1)</sup>	Voltage/Frequency/Power	Maximum duty cycle	Pressure range <sup>2)</sup>		Article no.			
						Ambient temperature + 75 °C	Ambient temperature + 55 °C	Brass body	Stainless steel body		
		[mm]	[m <sup>3</sup> /h]	[V/Hz/W]	Air [bar]	Air [bar]	FKM seal				
<b>CF A</b> 2/2-way solenoid valve Direct-acting Normally closed 	M5	1.2	0.045	24 / DC / 6.5	100 % ED	-	0...13	o. r.	o. r.		
				24 / 50 / 6		-	0...35	o. r.	o. r.		
				230 / 50 / 6		-	0...35	o. r.	o. r.		
				24 / DC / 5		0...9	-	o. r.	o. r.		
				24 / DC / 5		-	0...11	o. r.	o. r.		
				24 / 50 / 4		0...27	0...27	o. r.	o. r.		
				230 / 50 / 4		0...27	0...27	o. r.	o. r.		
				24 / DC / 14		-	0...32	o. r.	o. r.		
				24 / DC / 11		0...25	-	o. r.	o. r.		
		1.6	0.060	24 / DC / 11	100 % ED	-	0...30	o. r.	o. r.		
						24 / DC / 6.5	-	0...8.5	o. r.	o. r.	
						24 / 50 / 6	-	0...24	o. r.	o. r.	
						230 / 50 / 6	-	0...24	o. r.	o. r.	
						24 / DC / 5	0...5.5	-	o. r.	o. r.	
						24 / DC / 5	-	0...6.5	o. r.	o. r.	
				24 / 50 / 4	230 / 50 / 4	24 / DC / 14	50 % ED	0...17	0...17	o. r.	o. r.
								0...17	0...17	o. r.	o. r.
								0...17	0...17	o. r.	o. r.
								-	0...22	o. r.	o. r.
								0...17	-	o. r.	o. r.
								-	0...18	o. r.	o. r.

DTS 1000446515 EN Version: L Status: RL (released | freigegeben | valide) printed: 18.02.2026

Circuit function	Port connection	Orifice	K <sub>v</sub> value water <sup>1)</sup>	Voltage/Frequency/Power	Maximum duty cycle	Pressure range <sup>2)</sup>		Article no.						
						Ambient temperature + 75 °C	Ambient temperature + 55 °C	Brass body	Stainless steel body					
		[mm]	[m <sup>3</sup> /h]	[V/Hz/W]	Air [bar]	Air [bar]	FKM seal							
<b>CF A</b> 2/2-way solenoid valve Direct-acting Normally closed 	M5	2.0	0.110	24/DC/6.5	100 % ED	-	0...6	o. r.	o. r.					
				24/50/6		-	0...14	o. r.	o. r.					
				230/50/6		-	0...14	o. r.	o. r.					
				24/DC/5		0...4	-	o. r.	o. r.					
				24/DC/5		-	0...4.5	o. r.	o. r.					
				24/50/4		0...10	0...10	o. r.	o. r.					
				230/50/4		0...10	0...10	o. r.	o. r.					
				24/DC/14		50 % ED	-	0...15	o. r.	o. r.				
				24/DC/11			0...12	-	o. r.	o. r.				
				24/DC/11			-	0...13	o. r.	o. r.				
				2.4			0.130	24/DC/6.5	100 % ED	-	0...3	o. r.	o. r.	
								24/50/6		-	0...9	o. r.	o. r.	
		230/50/6	-		0...9			o. r.		o. r.				
		24/DC/5	0...2		-	o. r.		o. r.						
		24/DC/5	-		0...2.5	o. r.		o. r.						
		24/50/4	0...6.5		0...6.5	o. r.		o. r.						
		230/50/4	0...6.5	0...6.5	o. r.	o. r.								
		24/DC/14	50 % ED	-	0...8	o. r.		o. r.						
		24/DC/11		0...6	-	o. r.		o. r.						
		24/DC/11		-	0...6.5	o. r.		o. r.						
		G 1/8		1.2	0.045	24/DC/6.5		100 % ED		-	0...13	o. r.	o. r.	
						24/50/6				-	0...35	o. r.	o. r.	
						230/50/6	-		0...35	o. r.	o. r.			
			24/DC/5			0...9	-		o. r.	o. r.				
	24/DC/5		-			0...11	o. r.		o. r.					
	24/50/4		0...27			0...27	o. r.		o. r.					
	230/50/4		0...27			0...27	o. r.		o. r.					
	24/DC/14		50 % ED			-	0...32		o. r.	o. r.				
	24/DC/11					0...25	-		o. r.	o. r.				
	24/DC/11					-	0...30		o. r.	o. r.				
	G 1/8					1.6	0.060		24/DC/6.5	100 % ED	-	0...8.5	o. r.	o. r.
									24/50/6		-	0...24	o. r.	o. r.
		230/50/6		-	0...24			o. r.	o. r.					
		24/DC/5	0...5.5	-	o. r.			o. r.						
		24/DC/5	-	0...6.5	o. r.			o. r.						
		24/50/4	0...17	0...17	o. r.			o. r.						
		230/50/4	0...17	0...17	o. r.			o. r.						
		24/DC/14	50 % ED	-	0...22			o. r.	o. r.					
		24/DC/11		0...17	-			o. r.	o. r.					
		24/DC/11		-	0...18			o. r.	o. r.					
		2.0		0.110	24/DC/6.5			100 % ED	-		0...6	o. r.	o. r.	
					24/50/6				-		0...14	o. r.	o. r.	
	230/50/6				-	0...14	o. r.		o. r.					
	24/DC/5		0...4		-	o. r.	o. r.							
	24/DC/5		-		0...4.5	o. r.	o. r.							
	24/50/4		0...10		0...10	o. r.	o. r.							
	230/50/4		0...10		0...10	o. r.	o. r.							
	24/DC/14		50 % ED		-	0...15	o. r.		o. r.					
24/DC/11	0...12				-	o. r.	o. r.							
24/DC/11	-				0...13	o. r.	o. r.							

DTS 1000446515 EN Version: L Status: RL (released | freigegeben | valide) printed: 18.02.2026

Circuit function	Port connection	Orifice	K <sub>v</sub> value water <sup>1)</sup>	Voltage/Frequency/Power	Maximum duty cycle	Pressure range <sup>2)</sup>		Article no.					
						Ambient temperature + 75 °C	Ambient temperature + 55 °C	Brass body	Stainless steel body				
		[mm]	[m <sup>3</sup> /h]	[V/Hz/W]	Air [bar]	Air [bar]	FKM seal						
<b>CF A</b> 2/2-way solenoid valve Direct-acting Normally closed 	G 1/8	2.4	0.130	24/DC/6.5	100 % ED	-	0...3	o. r.	o. r.				
				24/50/6		-	0...9	o. r.	o. r.				
				230/50/6		-	0...9	o. r.	o. r.				
				24/DC/5		0...2	-	o. r.	o. r.				
				24/DC/5		-	0...2.5	o. r.	o. r.				
				24/50/4		0...6.5	0...6.5	o. r.	o. r.				
				230/50/4		0...6.5	0...6.5	o. r.	o. r.				
				24/DC/14		50 % ED	-	0...8	o. r.	o. r.			
				24/DC/11			0...6	-	o. r.	o. r.			
				24/DC/11			-	0...6.5	o. r.	o. r.			
				Flange (FK01)		1.2	0.045	24/DC/6.5	100 % ED	-	0...13	o. r.	o. r.
								24/50/6		-	0...35	o. r.	o. r.
	230/50/6	-	0...35		o. r.			o. r.					
	24/DC/5	0...9	-		o. r.			o. r.					
	24/DC/5	-	0...11		o. r.			o. r.					
	24/50/4	0...27	0...27		o. r.			o. r.					
	230/50/4	0...27	0...27		o. r.			o. r.					
	24/DC/14	50 % ED	-		0...32			o. r.		o. r.			
	24/DC/11		0...25		-			o. r.		o. r.			
	24/DC/11		-		0...30			o. r.		o. r.			
	1.6	0.060	24/DC/6.5		100 % ED			-		0...8.5	o. r.	o. r.	
			24/50/6					-		0...24	o. r.	o. r.	
			230/50/6			-	0...24	o. r.	o. r.				
			24/DC/5			0...5.5	-	o. r.	o. r.				
			24/DC/5			-	0...6.5	o. r.	o. r.				
			24/50/4			0...17	0...17	o. r.	o. r.				
			230/50/4			0...17	0...17	o. r.	o. r.				
			24/DC/14			50 % ED	-	0...22	o. r.	o. r.			
			24/DC/11				0...17	-	o. r.	o. r.			
			24/DC/11				-	0...18	o. r.	o. r.			
			Flange (FK01)			2.0	0.110	24/DC/6.5	100 % ED	-	0...6	o. r.	o. r.
								24/50/6		-	0...14	o. r.	o. r.
	230/50/6	-			0...14			o. r.		o. r.			
	24/DC/5	0...4			-			o. r.		o. r.			
	24/DC/5	-		0...4.5	o. r.			o. r.					
	24/50/4	0...10		0...10	o. r.			o. r.					
	230/50/4	0...10		0...10	o. r.			o. r.					
	24/DC/14	50 % ED		-	0...15			o. r.		o. r.			
	24/DC/11			0...12	-			o. r.		o. r.			
	24/DC/11			-	0...13			o. r.		o. r.			
	2.4	0.130		24/DC/6.5	100 % ED			-		0...3	o. r.	o. r.	
				24/50/6				-		0...9	o. r.	o. r.	
			230/50/6	-		0...9	o. r.	o. r.					
			24/DC/5	0...2		-	o. r.	o. r.					
			24/DC/5	-		0...2.5	o. r.	o. r.					
			24/50/4	0...6.5		0...6.5	o. r.	o. r.					
			230/50/4	0...6.5		0...6.5	o. r.	o. r.					
			24/DC/14	50 % ED		-	0...8	o. r.	o. r.				
24/DC/11			0...6			-	o. r.	o. r.					
24/DC/11			-			0...6.5	o. r.	o. r.					

o. r. = on request

1.) Measurement at + 20 °C, 6 bar<sup>2)</sup> at the valve inlet and free outlet

2.) Pressure data: overpressure to atmospheric pressure and air as a medium

DTS 1000446515 EN Version: L Status: RL (released | freigegeben | valide) printed: 18.02.2026

**Additional options**

**Note:**

Available on request

Option	Variable Code	Description
Oxygen variants	NL02	Suitable for applications with oxygen (non-metal materials that are in contact with the medium are tested and approved according to BAM)
Increased purity requirements e.g. oil, grease and silicone-free	NL50/NL05	Wetted parts are specially cleaned and packaged in accordance with the valves
Increased tightness requirements	PC05	Leakage rate *less than $10^{-4}$ mbar l/sec
	PC08	Leakage rate *less than $10^{-5}$ mbar l/sec
	PC06	Leakage rate *less than $10^{-6}$ mbar l/sec

**8.5. Ordering chart accessories**

**Single manifold**

**Note:**

Further ordering information can be found in chapter "5.4. Single manifold" on page 14.

**Multiple manifold**

**Note:**

Further ordering information can be found in chapter "5.5. Multiple manifold" on page 15.

**Accessories for manifolds**

Accessory	Features	Article no.
Threaded plug	With seal ring, G 1/8	005041
Cover plate	For unoccupied valve position	005100

**Accessories for G 1/8 threaded connections**

Accessories	Material	Connection diameter	F	L	L1	Article no.
		[mm]	[mm]	[mm]	[mm]	
<b>Straight push-in connector with O-ring</b>						
	Nickel-plated brass	4	G 1/8	18.0	–	780001
		6	G 1/8	21.6	–	780003
		8	G 1/8	25.4	–	780005
<b>Elbow screw fitting, rotatable with O-ring</b>						
	Nickel-plated brass	4	G 1/8	21.3	24.9	780081
		6	G 1/8	23.0	24.9	780082
		8	G 1/8	24.8	24.9	780086

DTS 1000446515 EN Version: L Status: RL (released | freigegeben | valide) printed: 18.02.2026

Accessories	Material	Connection diameter	F	L	L1	Article no.
		[mm]	[mm]	[mm]	[mm]	
	POM	4	G 1/8	35.5	24.0	782344
		6	G 1/8	39.5	27.0	782345
		8	G 1/8	41.5	30.0	782346

**Cable plug Type 2516, form C according to DIN EN 175301 - 803**

**Note:**

- Dimensions in mm
- Delivery of cable plug includes a flat seal and a fastening screw.
- For further variants see data sheet **Type 2516**

Cable plug	Dimensions	Variant	Voltage	Article no.
		Without wiring	0...250 V AC/DC	303141
		With LED	12...24 V AC/DC	303145
		With LED and varistor	12...24 V AC/DC	303148
		With rectifier, LED and varistor	12...24 V AC/DC	303142

DTS 1000446515 EN Version: L Status: RL (released | freigegeben | valide) printed: 18.02.2026

**Cable plug Type 2507, form B according to industry standard**

**Note:**

- Dimensions in mm
- Delivery of cable plug includes a flat seal and a fastening screw.
- Refer to data sheet **Type 2507** ▶ for more information about the cable plug.

Cable plug	Dimensions	Variant	Voltage	Article no.
		Without wiring (standard)	2...250 V AC/DC	423845
		With LED	24 V AC/DC	423849
		With LED and free-wheeling diode	12...24 V AC/DC	423851
		With rectifier, LED and varistor	12...24 V AC/DC	423853
			2...250 V AC/DC	423854

DTS 1000446515 EN Version: L Status: RL (released | freigegeben | valide) printed: 18.02.2026