





## 2/2 or 3/2-way TwinPower rocker solenoid valve with separating diaphragm

- 22 mm compact design with DN 3.0
- Separating diaphragm for high chemical resistance
- USP Chapter 87/88 Class VI
- Back pressure tightness achieved by rocker principle
- Minimum internal volume with good rinsability



Product variants described in the data sheet may differ from the product presentation and description.

### Can be combined with

- |   |   |
|---|---|
|  | <p><b>Type 2505</b> ▶<br/>10 mm socket for Bürkert small solenoid valves</p>    |
|  | <p><b>Type 2507</b> ▶<br/>Cable plug, form B according to industry standard</p> |

### Type description

Direct-acting, media-separated 2/2 or 3/2-way rocker solenoid valve for the control of aggressive liquids and gases in medical analysis technology, the food industry and the chemical industry during dosing, filling, mixing and distribution. The medium is only in contact with the housing and seal material through the separating diaphragm. With its new TwinPower actuator, robust fitting and 22 mm width, this valve meets the most stringent requirements. The tried-and-tested rocker technology is characterised by full back pressure tightness, good flushability and a low internal volume. The Type 6628 is available in a wide variety of technical variants and provides perfect adaption in fluidics application with the aid of various fluidic body options.

## Table of contents

<b>1. General technical data</b>	<b>3</b>
<b>2. Product variants</b>	<b>4</b>
<b>3. Circuit functions</b>	<b>4</b>
<b>4. Approvals and conformities</b>	<b>5</b>
4.1. General notes .....	5
4.2. Conformity .....	5
4.3. Standards .....	5
4.4. Foods and beverages/Hygiene .....	5
<b>5. Materials</b>	<b>6</b>
5.1. Bürkert resistApp .....	6
5.2. Material specifications .....	6
<b>6. Dimensions</b>	<b>7</b>
6.1. Sub-base variant with connector plug form B .....	7
6.2. Bürkert sub-base interface (22 × 35 mm) .....	7
6.3. Threaded variant with rectangular plug Type 2505 .....	8
6.4. Tube connector variant with flying leads .....	9
6.5. Push-in hose connector with rectangular plug Type 2505 .....	10
<b>7. Ordering information</b>	<b>11</b>
7.1. Bürkert eShop .....	11
7.2. Bürkert product filter .....	11
7.3. Bürkert Product Enquiry Form .....	11
7.4. Ordering chart .....	12
Standard variant .....	12
Variant with approvals and conformities .....	14
7.5. Ordering chart accessories .....	15
Rectangular cable plug Type 2505 .....	15
Cable plug Type 2507, form B according to industry standard .....	15
Multiple manifolds for Bürkert sub-base interface, 3-way .....	16





## 1. General technical data

Product properties	
Dimensions	Further information can be found in chapter "6. Dimensions" on page 7.
Material	
Seal	FFKM, FKM or EPDM
Valve body	PEEK, PPS or PVDF (PP on request)
Manual override	On request
Internal volume	Bürkert sub-base: from 280 µl Hose connector: from 500 µl Threaded body: from 500 µl
Minimum bending radius for flying leads variant	Single bending: 5 mm Multiple bending: 8 mm
Orifice	DN 2.0 (Vac...5 bar) DN 3.0 (Vac...3 bar)
Circuit function	A, B and T Further information can be found in chapter "3. Circuit functions" on page 4.
Performance data	
Switching time <sup>1)</sup>	Opening: approx. 25 ms (pressure build-up 0...10 %) Closing: approx. 25 ms (pressure reduction 100...90 %)
Electrical data	
Power supply	12 V DC, 24 V DC (other voltages on request)
Duty cycle	100 % continuous operation
Nominal power	5 W (other powers on request & variants with internal power reduction possible)
Voltage tolerance <sup>2.)</sup>	± 10 %
Medium data	
Operating medium	Resistant to neutral and aggressive gases and liquids (see chapter "5.1. Bürkert resistApp" on page 6)
Medium temperature	FKM: 0 °C...+ 55 °C FFKM: + 10 °C...+ 55 °C EPDM: - 10 °C...+ 55 °C
Viscosity	Max. 21 mm <sup>2</sup> /s
Product connections	
Electrical connection	PFA single flying leads 0.5 mm <sup>2</sup> (AWG20), length 500 mm Tag connectors according to DIN 43650 form B for cable plug <b>Type 2507</b> ▶ Rectangular cable plug <b>Type 2505</b> ▶
Port connection	Bürkert sub-base (22 × 35 mm) G 1/8 NPT 1/8 Hose connector 4 mm (5/32") Push-in connector (tube's external diameter 6 mm)
Approvals and conformities	
Degree of protection	IP54 with cable or cable plug <b>Type 2507</b> ▶ IP30 with rectangular cable plug <b>Type 2505</b> ▶
Foods and beverages/Hygiene	FDA on request only with seal material EPDM USP Chapter 87/88 Class VI on request only with body material PPS/PEEK and seal material EPDM Further information can be found in chapter "4.4. Foods and beverages/Hygiene" on page 5.
Environment and installation	
Installation	As required, preferably with actuator upright
Ambient temperature	FKM: 0 °C...+ 55 °C FFKM: + 10 °C...+ 55 °C EPDM: - 10 °C...+ 55 °C

1.) Measurement at + 20 °C, 2 bar at the valve outlet according to DIN ISO 12238:2001

2.) Maximum permitted residual ripple


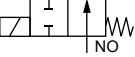
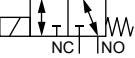
## 2. Product variants

<b>Rectangular plug with manual override and Bürkert sub-base</b>	<b>Flying leads with threaded body</b>
	
<b>Rectangular plug with 2-way hose connector</b>	<b>Flying leads with push-in connector</b>
	

## 3. Circuit functions

**Note:**

Other circuit functions on request.

Symbol	Description
	<b>Circuit function A (CF A)</b> 2/2-way solenoid valve Direct-acting Normally closed
	<b>Circuit function B (CF B)</b> 2/2-way solenoid valve Direct-acting Normally open
	<b>Circuit function T (CF T)</b> 3/2-way solenoid valve Direct-acting Flow direction optional Universal

DTS 1000170656 EN Version: N Status: RL (released | freigegeben | valide) printed: 07.05.2026

## 4. Approvals and conformities

### 4.1. General notes

- The approvals and conformities listed below must be stated when making enquiries. This is the only way to ensure that the product complies with all required specifications.
- Not all available variants can be supplied with the below mentioned approvals or conformities.

### 4.2. Conformity

In accordance with the Declaration of Conformity, the product is compliant with the EU Directives.

### 4.3. Standards

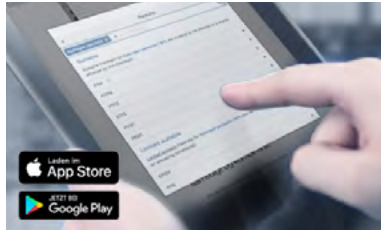
The applied standards which are used to demonstrate compliance with the EU Directives are listed in the EU-Type Examination Certificate and/or the EU Declaration of Conformity.

### 4.4. Foods and beverages/Hygiene

Conformity	Description
FDA	<b>FDA – Code of Federal Regulations (valid for the variable code PL03)</b> All wetted materials are compliant with the Code of Federal Regulations published by the FDA (Food and Drug Administration, USA) according to the manufacturer's declaration.
USP	<b>United States Pharmacopeial Convention (USP) (valid for the variable code PL04)</b> All wetted materials are biocompatible according to the manufacturer's declaration.

## 5. Materials

### 5.1. Bürkert resistApp

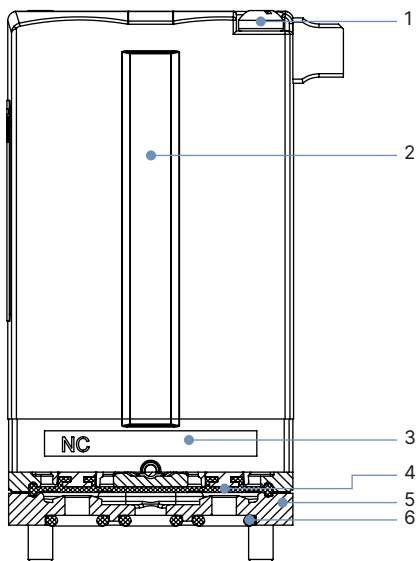


#### Bürkert resistApp – Chemical resistance chart

You want to ensure the reliability and durability of the materials in your individual application case? Verify your combination of media and materials on our website or in our resistApp.

[Start chemical resistance check](#)

### 5.2. Material specifications



No.	Element	Material
1	Fastening screw M3 (from end to end)	Stainless steel
2	Coil	Epoxy
3	Valve body	PPS
4	Diaphragm <sup>1.)</sup>	FFKM, FKM or EPDM
5	Valve body <sup>1.)</sup>	PEEK, PPS or PVDF
6	Sub-base seal <sup>1.)</sup>	FFKM, FKM or EPDM

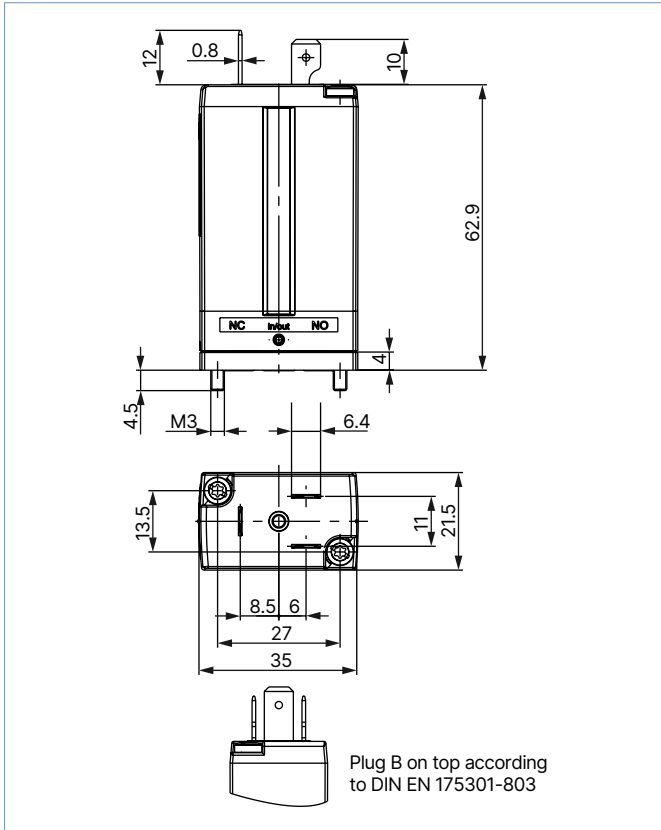
1.) Wetted

## 6. Dimensions

### 6.1. Sub-base variant with connector plug form B

**Note:**

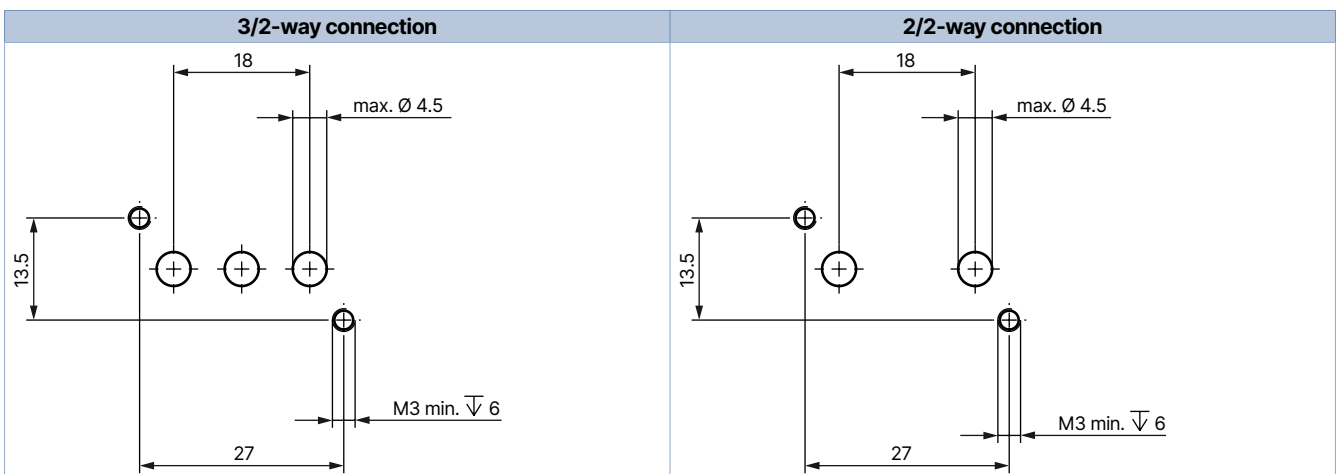
Dimensions in mm



### 6.2. Bürkert sub-base interface (22 × 35 mm)

**Note:**

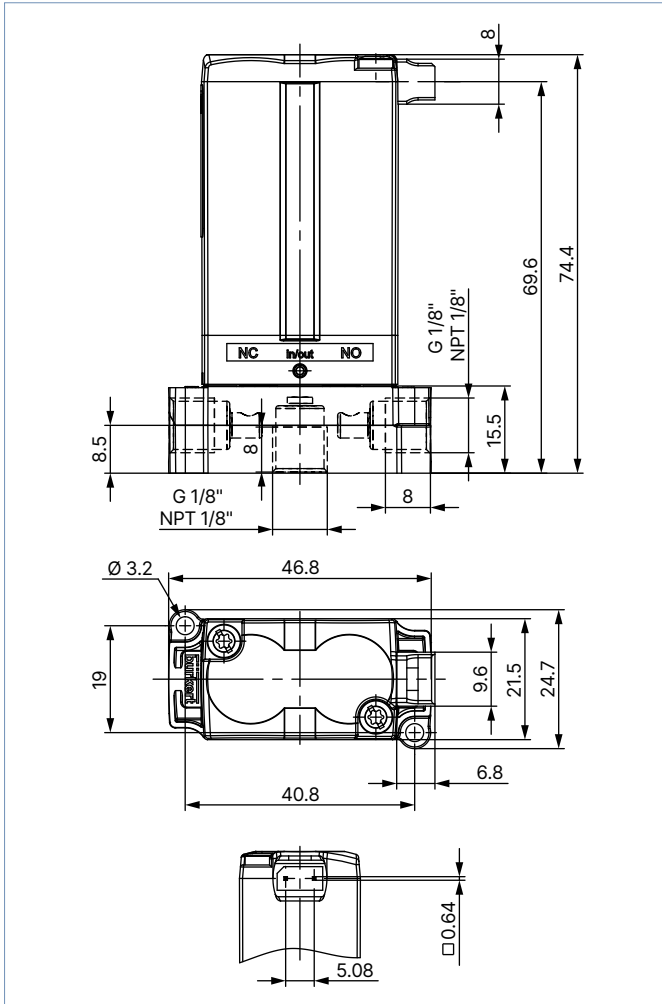
Dimensions in mm



**6.3. Threaded variant with rectangular plug Type 2505**

**Note:**

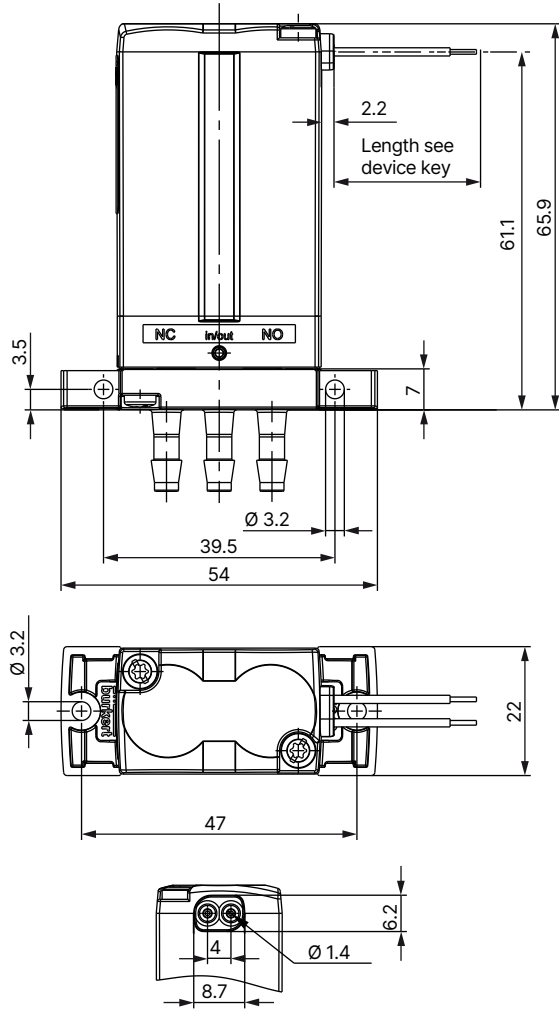
Dimensions in mm



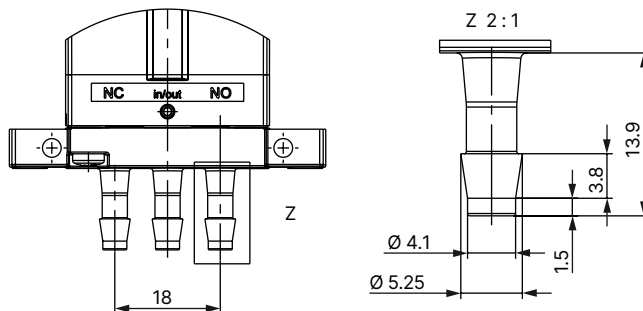
**6.4. Tube connector variant with flying leads**

**Note:**

Dimensions in mm



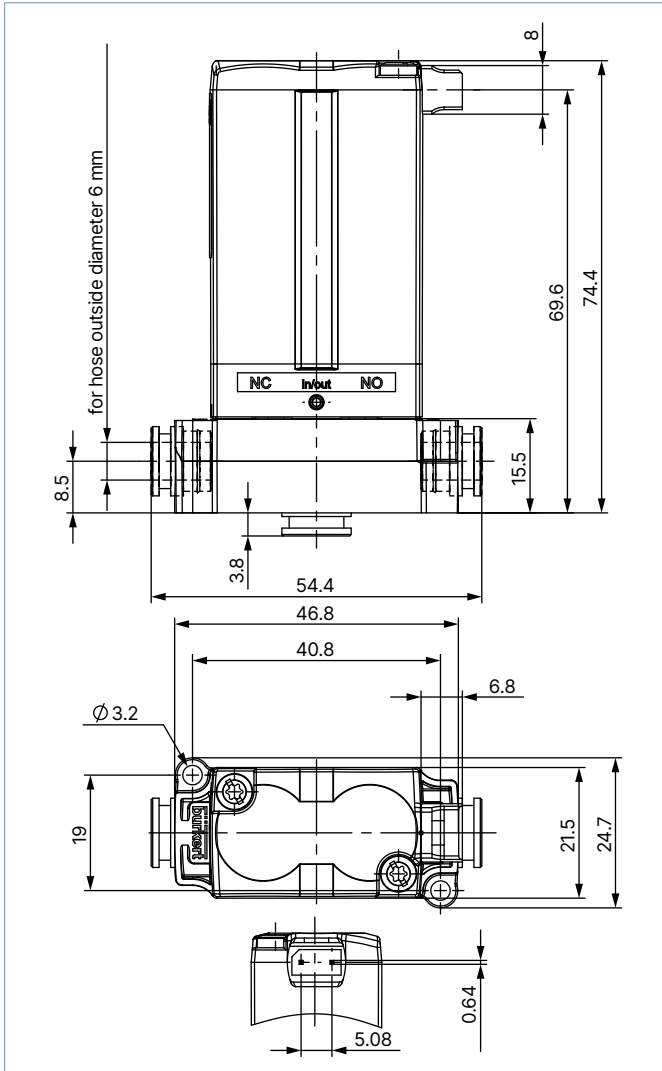
Dimensions hose connection



**6.5. Push-in hose connector with rectangular plug Type 2505**

**Note:**

Dimensions in mm



## 7. Ordering information

### 7.1. Bürkert eShop



#### Bürkert eShop – Easy ordering and quick delivery

You want to find your desired Bürkert product or spare part quickly and order directly? Our online shop is available for you 24/7. Sign up and enjoy all the benefits.

[Order online now](#)

### 7.2. Bürkert product filter



#### Bürkert product filter – Get quickly to the right product

You want to select products comfortably based on your technical requirements? Use the Bürkert product filter and find suitable articles for your application quickly and easily.

[Try out our product filter](#)

### 7.3. Bürkert Product Enquiry Form



#### Bürkert Product Enquiry Form – Your enquiry quickly and compactly

Would you like to make a specific product enquiry based on your technical requirements? Use our Product Enquiry Form for this purpose. There you will find all the relevant information for your Bürkert contact. This will enable us to provide you with the best possible advice.

[Fill out the form now](#)

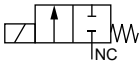
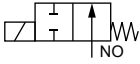
DTS 1000170656 EN Version: N Status: RL (released | freigegeben | valide) printed: 07.05.2026

### 7.4. Ordering chart

#### Standard variant

**Note:**

- 2 x fastening screws M3 × 65 for sub-base variants are included in the delivery.
- Connectors for rectangular plug and tag connector form B are not included in the delivery and must be ordered separately, see "7.5. Ordering chart accessories" on page 15.
- Other variants are available on request.

Circuit function	Port connection	Orifice	Q <sub>Nn</sub> value air <sup>1)</sup>	K <sub>v</sub> value water <sup>2)</sup>	Voltage/ Frequency	Pressure range	Max. pressure difference	Body material	Seal material	Electrical connection	Article no.		
		[mm]	[l/min]	[m <sup>3</sup> /h]								[V/Hz]	[bar]
<b>CF A</b> 2/2-way solenoid valve Direct-acting Normally closed 	Bürkert sub-base	2	110	0.10	24/DC	Vac...5	5	PPS	EPDM	Flying leads, 0.5 m	251614		
										Rectangular plug	250857		
					PEEK					FFKM	Flying leads, 0.5 m	234350	
									Rectangular plug		235315		
								PPS	FKM		Flying leads, 0.5 m	251620	
										Rectangular plug	251618		
		Bürkert sub-base	3	180	0.17	12/DC	Vac...3			3	PPS	EPDM	Flying leads, 0.5 m
						24/DC			Rectangular plug				242030
									Plug form B				246199
											251643		
						PEEK		FFKM	Flying leads, 0.5 m		235316		
												Rectangular plug	230304
				235317									
	PVDF										20104014		
					PPS	FKM	Flying leads, 0.5 m	246382					
									Rectangular plug	251624			
			Plug form B	248017									
										238616			
	G 1/8	PEEK	EPDM							Flying leads, 0.5 m	300356		
												Plug form B	251644
										FFKM	FKM	Flying leads, 0.5 m	235319
					242340								
				Plug form B	238615								
		PPS						Flying leads, 0.5 m	251650				
							251613						
							235318						
									251628				
<b>CF B</b> 2/2-way solenoid valve Direct-acting Normally open 	Bürkert sub-base	3	180	0.17	24/DC	Vac...3	3	PEEK	FFKM	Flying leads, 0.5 m	251686		

DTS 1000170656 EN Version: N Status: RL (released | freigegeben | valide) printed: 07.05.2026

Circuit function	Port connection	Orifice	Q <sub>in</sub> value air <sup>1.)</sup>	K <sub>v</sub> value water <sup>2.)</sup>	Voltage/ Frequency	Pressure range	Max. pressure difference	Body material	Seal material	Electrical connection	Article no.			
		[mm]	[l/min]	[m <sup>3</sup> /h]	[V/Hz]	[bar]	[bar]							
<b>CF T</b> 3/2-way solenoid valve Direct-acting Flow direction optional Universal 	Bürkert sub-base	2	110	0.10	24/DC	Vac...5	5	PPS	EPDM	Flying leads, 0.5 m	241889			
					Rectangular plug					250859				
					PEEK			FFKM	Flying leads, 0.5 m	234340				
									Rectangular plug	235320				
	PPS	FKM	Flying leads, 0.5 m	251630										
			Rectangular plug	251629										
	Bürkert sub-base	3	180	0.17	12/DC	Vac...2	2	PPS	EPDM	Flying leads, 0.5 m	241726			
					24/DC					245256				
					Rectangular plug					251616				
					Plug form B					251645				
					PEEK			FFKM	Flying leads, 0.5 m	235321				
									230305					
					Rectangular plug			235322	20104015	PVDF	PPS	FKM	Flying leads, 0.5 m	251633
													251635	
					Rectangular plug			251634						
					Plug form B			251684						
					PEEK			EPDM	Flying leads, 0.5 m	245205				
									Plug form B	251647				
	FFKM FKM	Flying leads, 0.5 m	235325											
		251638												
PPS	FKM	Plug form B	251649											
		Flying leads, 0.5 m	251685											
PEEK	EPDM	251617	PPS	FKM	FKM	251617								
							FFKM	235323						
									FKM	251637				
Hose connector	251617	235323	251637											
				Push-in connector	251617	235323	251637							
G 1/8	251617	235323	251637											

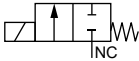
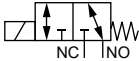
1.) Measurement at + 20 °C, 6 bar at the valve inlet, 1 bar differential pressure  
 2.) Measurement at + 20 °C, 1 bar at the valve inlet and free outlet

DTS 1000170656 EN Version: N Status: RL (released | freigegeben | valide) printed: 07.05.2026

**Variant with approvals and conformities**




**Note:**

- All valves have EPDM as seal material.
- 2 x fastening screws M3 × 65 for sub-base variants are included in the delivery.
- Connectors for rectangular plug and tag connector form B are not included in the delivery and must be ordered separately, see "7.5. Ordering chart accessories" on page 15.
- Other variants are available on request.

Circuit function	Port connection	Orifice	Q <sub>Nn</sub> value air <sup>1)</sup>	K <sub>v</sub> value water <sup>2)</sup>	Voltage/Frequency	Pressure range	Max. differential pressure	Body material	Electrical connection	Conformity	Article no.
		[mm]	[l/min]	[m <sup>3</sup> /h]	[V/Hz]	[bar]	[bar]				
<b>CFA</b> 2/2-way solenoid valve Direct-acting Normally closed 	Bürkert sub-base	3	180	0.17	24/DC	Vac...3	3	PPS	Flying leads, 0,5 m	USP	20113198
								FDA		00324692	
	G 1/8	3	180	0.17	24/DC	Vac...3	3	PEEK	Flying leads, 0,5 m	USP	20113196
								FDA		20113840	
<b>CFT</b> 3/2-way solenoid valve Direct-acting Flow direction optional Universal 	Bürkert sub-base	3	180	0.17	24/DC	Vac...2	2	PPS	Flying leads, 0,5 m	USP	20113199
								FDA		20113842	
	G 1/8	3	180	0.17	24/DC	Vac...2	2	PEEK	Flying leads, 0,5 m	USP	20113197
								FDA		20113841	
G 1/8	3	180	0.17	24/DC	Vac...2	2	PEEK	Flying leads, 0,5 m	USP	20113201	
							FDA		00300357		

1.) Measurement at + 20 °C, 6 bar at the valve inlet, 1 bar differential pressure

2.) Measurement at + 20 °C, 1 bar at the valve inlet and free outlet

Further variants on request	
 <b>Electrical connection</b> <ul style="list-style-type: none"> <li>• Cable plug according to DIN 43650 form B (Industrial standard)</li> <li>• Flying leads</li> </ul>	 <b>Material</b> Other body and seal materials on request
 <b>Approval</b> Further information can be found in chapter "4. Approvals and conformities" on page 5.	

DTS 1000170656 EN Version: N Status: RL (released | freigegeben | valide) printed: 07.05.2026

### 7.5. Ordering chart accessories

#### Rectangular cable plug Type 2505

**Note:**

For further variants see data sheet **Type 2505** ▶.

Accessories	Description	Article no.
	Cable plug 10 mm with cable, 2-pin, rectangular plug, straight, cable length: 3 m (Type 2505)	252572
	Cable plug 10 mm with cable, 2-pin, rectangular plug, straight, cable length: 5 m (Type 2505)	255194
	Cable plug 10 mm with cable, 2-pin, rectangular plug, straight, cable length: 0,3 m (Type 2505)	644068
	Cable plug 10 mm with cable, 2-pin, rectangular plug, straight, cable length: 0.6 m (Type 2505)	162144
	Cable plug 10 mm, 2-pin, rectangular plug, straight (Type 2505)	644067

#### Cable plug Type 2507, form B according to industry standard

**Note:**

- Dimensions in mm
- Delivery of cable plug includes a flat seal and a fastening screw.
- Refer to data sheet **Type 2507** ▶ for more information about the cable plug.

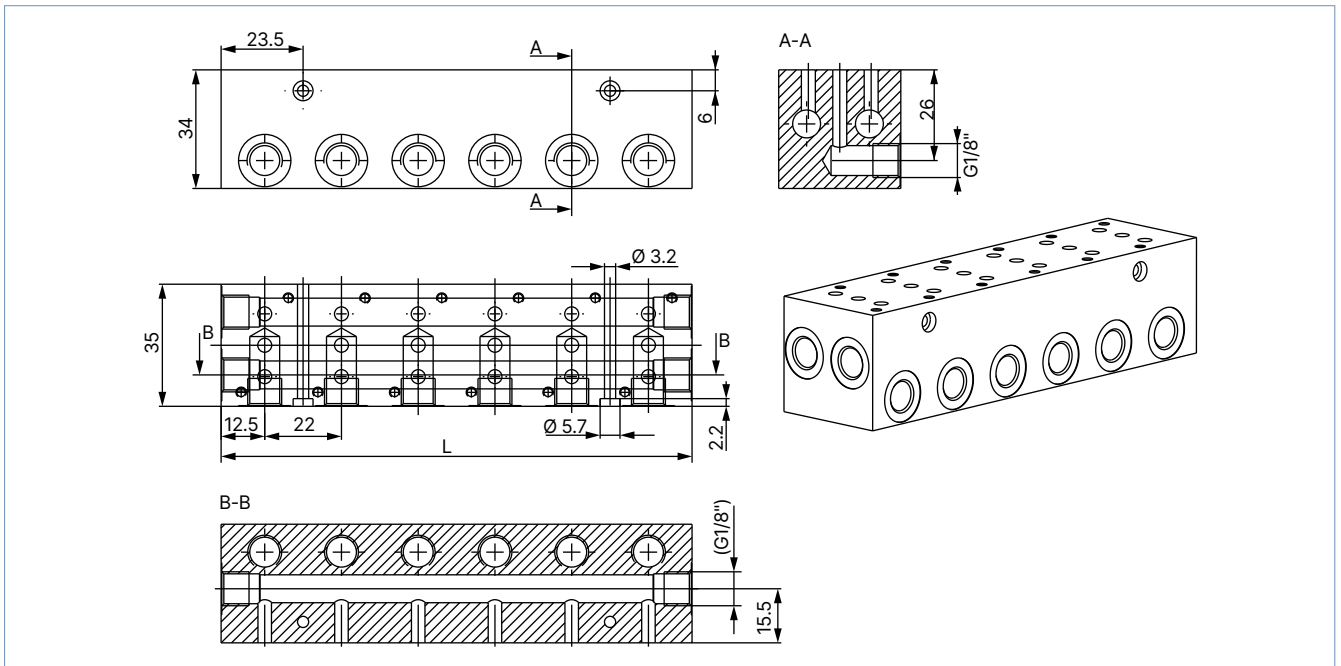
Cable plug	Dimensions	Variant	Voltage	Article no.
		Without wiring (standard)	2...250 V AC/DC	423845
		With LED	24 V AC/DC	423849
		With LED and free-wheeling diode	24 V AC/DC	423851
		With rectifier, LED and varistor	24 V AC/DC	423853

DTS 1000170656 EN Version: N Status: RL (released | freigegeben | valide) printed: 07.05.2026

**Multiple manifolds for Bürkert sub-base interface, 3-way**

**Note:**

- Dimensions in mm
- Port connection: G 1/8"
- Material: aluminium (black anodized)
- Pay attention to screw protrusion.
- Other variants are available on request.



Manifold	L [mm]	Article no.
2-fold	47	669571
3-fold	69	672633
4-fold	91	669572
5-fold	113	672661
6-fold	135	669570
10-fold	223	672660