




2/2-way and 3/2-way Bürkert TwinPower rocker solenoid valve with separating diaphragm

- For highest chemical resistance requirements
- Ultra compact design due to Bürkert TwinPower actuator with 16 mm width/station
- DN 2.0 (3 bar) and DN 3.0 (2 bar)
- Integrated hit-and-hold electronics assembly
- High back-pressure tightness with excellent cleanability

Product variants described in the data sheet may differ from the product presentation and description.

Can be combined with

	<p>Type 2505 10 mm socket for Bürkert small solenoid valves</p>
---	--

Type description

From the fluidics perspective, Type 6626 combines the reliable and successful rocker principle. Due to the new Bürkert TwinPower concept, this actuator enables drastic reduction of installation space while maintaining performance output. Hence, the 16 mm wide medium separated rocker valve, with 3.0 mm DN and a pressure resistance of 2 bar, provides the same performance as a traditional 22 mm valve. In addition, the integrated power reduction decreases energy consumption by 75%. In combination with other design features, the heat transfer into the medium can be reduced to a minimum. With regard to the design, special attention has been placed on excellent cleanability and high reliability. By using high quality materials, Type 6626 is also ideal for handling aggressive medium. The valve is available as a 2/2-way and 3/2-way version.

Phase out

Table of contents

1. General technical data	3
2. Product versions	4
3. Circuit functions	4
4. Approvals and conformities	4
4.1. General notes	4
4.2. Conformity	4
4.3. Standards	4
5. Materials	5
5.1. Bürkert resistApp	5
5.2. Material specifications	5
6. Dimensions	6
6.1. Sub-base version with flying leads	6
6.2. Sub-base version with rectangular plug Type 2505	6
6.3. Bürkert sub-base interface (16 × 46 mm)	7
6.4. Tube connector version with flying leads.....	8
6.5. Threaded version with flying leads	9
7. Ordering information	10
7.1. Bürkert eShop	10
7.2. Bürkert product filter	10
7.3. Bürkert Product Enquiry Form	10
7.4. Ordering chart	11
7.5. Ordering chart accessories.....	12
Cable plug Type 2505.....	12

Phase out

1. General technical data

Product properties	
Dimensions	Further information can be found in chapter "6. Dimensions" on page 6.
Material	
Seal	FFKM
Fluid body	PEEK or PPS
Internal volume	Bürkert sub-base: from 550 µl Tube connector: from 1100 µl Threaded body: from 600 µl
Minimum bending radius for flying leads version	Single bending: 8 mm Multiple bending: 13 mm
Orifice	DN 2.0 (Vac ¹⁾ ...3 bar DN 3.0 (Vac ¹⁾ ...2 bar
Circuit function	A, B and T Further information can be found in chapter "3. Circuit functions" on page 4.
Performance data	
Switching time ⁵⁾	Opening: ca. 10 ms (pressure rise 0...10 %) Closing: ca. 15 ms (pressure drop 100...90 %)
Electrical data	
Operating voltage ²⁾	12/24 V DC
Duty cycle	100 % continuous operation
Nominal power	13.6 W inrush power 3.4 W nominal holding power (internal power reduction)
Switching frequency ⁴⁾	Max. 2 Hz
Voltage tolerance ³⁾	12 V DC + 10 % / - 5 % 24 V DC ± 10 %
Medium data	
Operating medium	Resistant to neutral and aggressive liquids and gases (see chapter "5.1. Bürkert resistApp" on page 5)
Medium temperature	+ 15 °C...+ 50 °C
Viscosity	Max. 21 mm ² /s
Process/Port connection & communication	
Electrical connection	PFA single leads, 0.5 mm ² (AWG20), length 300 mm Rectangular cable plug Type 2505 ▶
Port connection	Bürkert sub-base (16 × 46 mm) Tube connection UNF 5/16"...24 G 1/8"
Approvals and conformities	
Degree of protection	IP40 with flying leads IP30 with rectangular cable plug Type 2505 ▶
Environment and installation	
Installation position	As required, preferably with actuator upright
Ambient temperature	+ 15 °C...+ 55 °C

1.) Technical vacuum (-0.8 bar) to normally closed or normally open, connection to valve outlet (COM/OUT) only following consultation

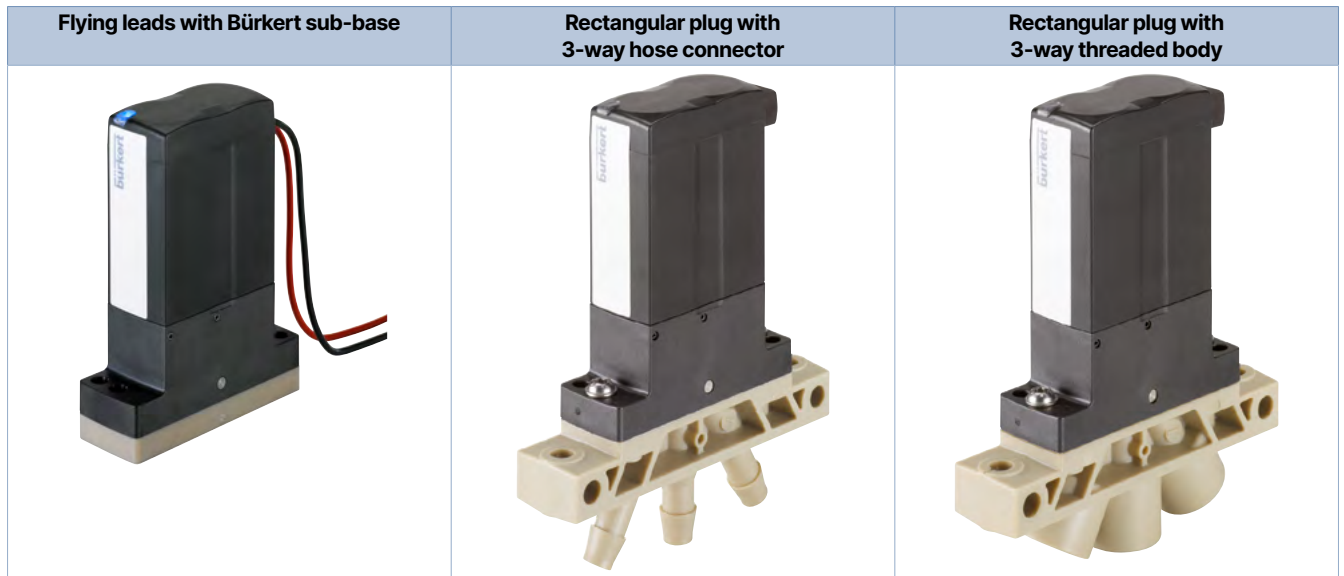
2.) Battery voltage, note polarity (Flying leads version: red = +, black = -)

3.) Maximum permitted residual ripple

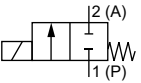
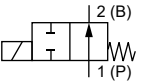
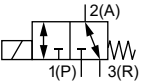
4.) At ambient temperature + 20 °C

5.) Measurement at + 20 °C, 2 bar at the valve outlet according to DIN ISO 12238:2001

2. Product versions



3. Circuit functions

Symbol	Description
	<p>Circuit function A (CF A) 2/2-way solenoid valve Direct-acting Normally closed</p>
	<p>Circuit function B (CF B) 2/2-way solenoid valve Direct-acting Normally open</p>
	<p>Circuit function T (CF T) 3/2-way solenoid valve Direct-acting Flow direction optional Normally closed</p>

4. Approvals and conformities

4.1. General notes

- The approvals and conformities listed below must be stated when making enquiries. This is the only way to ensure that the product complies with all required specifications.
- Not all available versions can be supplied with the below mentioned approvals or conformities.

4.2. Conformity

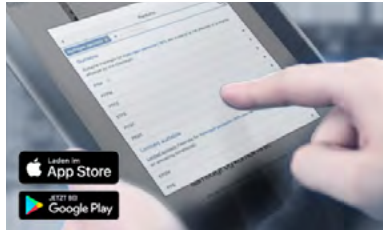
In accordance with the Declaration of Conformity, the product is compliant with the EU Directives.

4.3. Standards

The applied standards which are used to demonstrate compliance with the EU Directives are listed in the EU-Type Examination Certificate and/or the EU Declaration of Conformity.

5. Materials

5.1. Bürkert resistApp

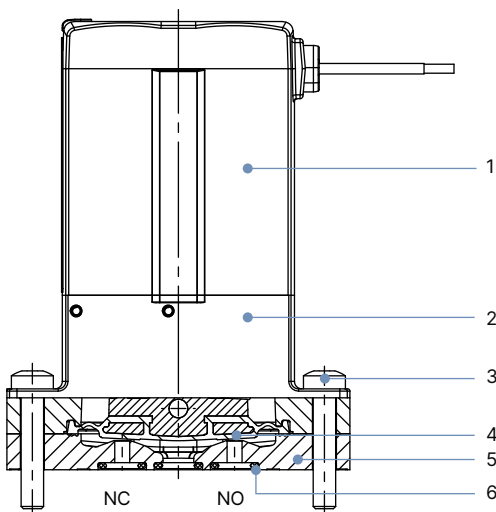


Bürkert resistApp – Chemical resistance chart

You want to ensure the reliability and durability of the materials in your individual application case? Verify your combination of media and materials on our website or in our resistApp.

[Start chemical resistance check](#)

5.2. Material specifications



No.	Element	Material
1	Coil	Epoxy
2	Valve body	PPS
3	Mounting screw M3	Stainless steel
4	Diaphragm ^{1.)}	FFKM
5	Fluidic housing ^{1.)}	PEEK or PPS
6	Sub-base seal ^{1.)}	FFKM

1.) in contact with medium

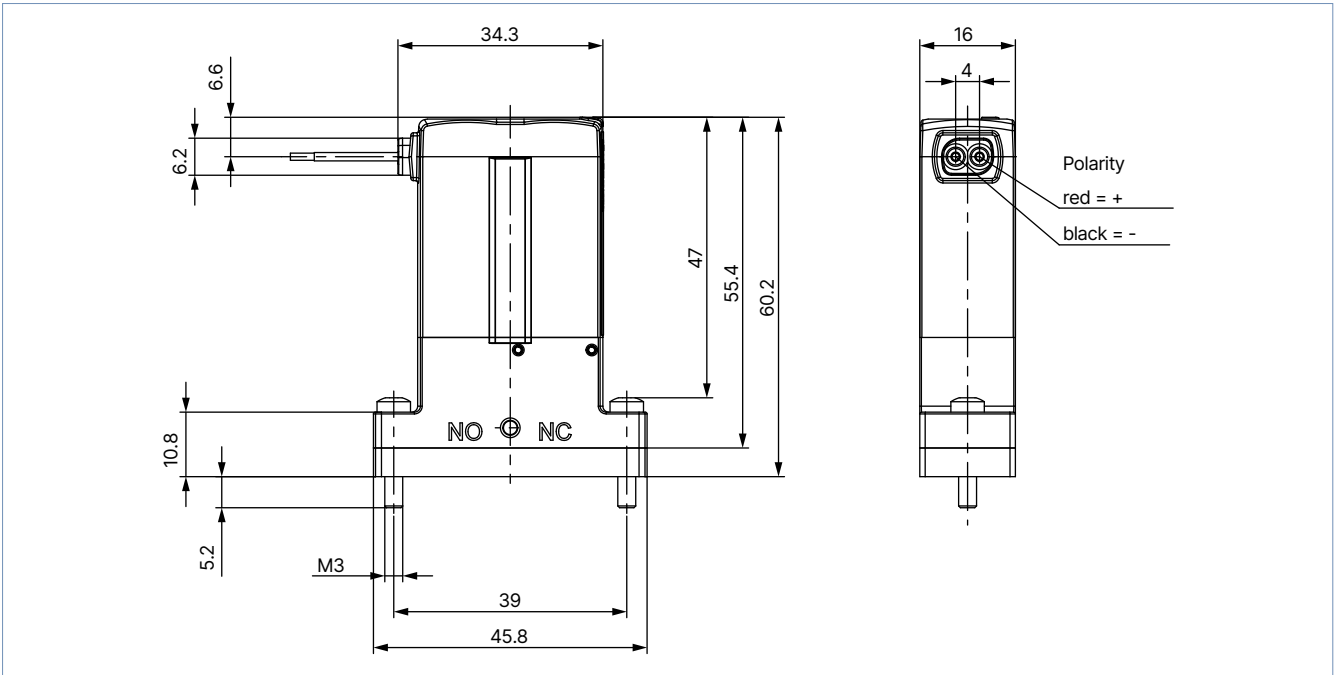
Phase out

6. Dimensions

6.1. Sub-base version with flying leads

Note:

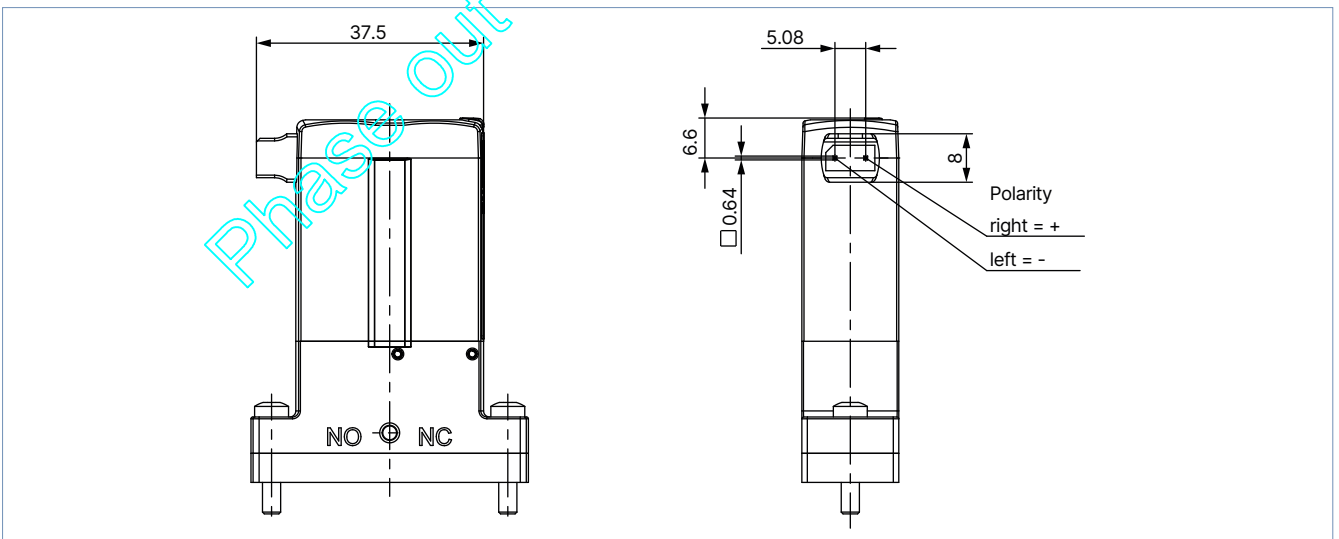
- Dimensions in mm
- Note polarity



6.2. Sub-base version with rectangular plug Type 2505

Note:

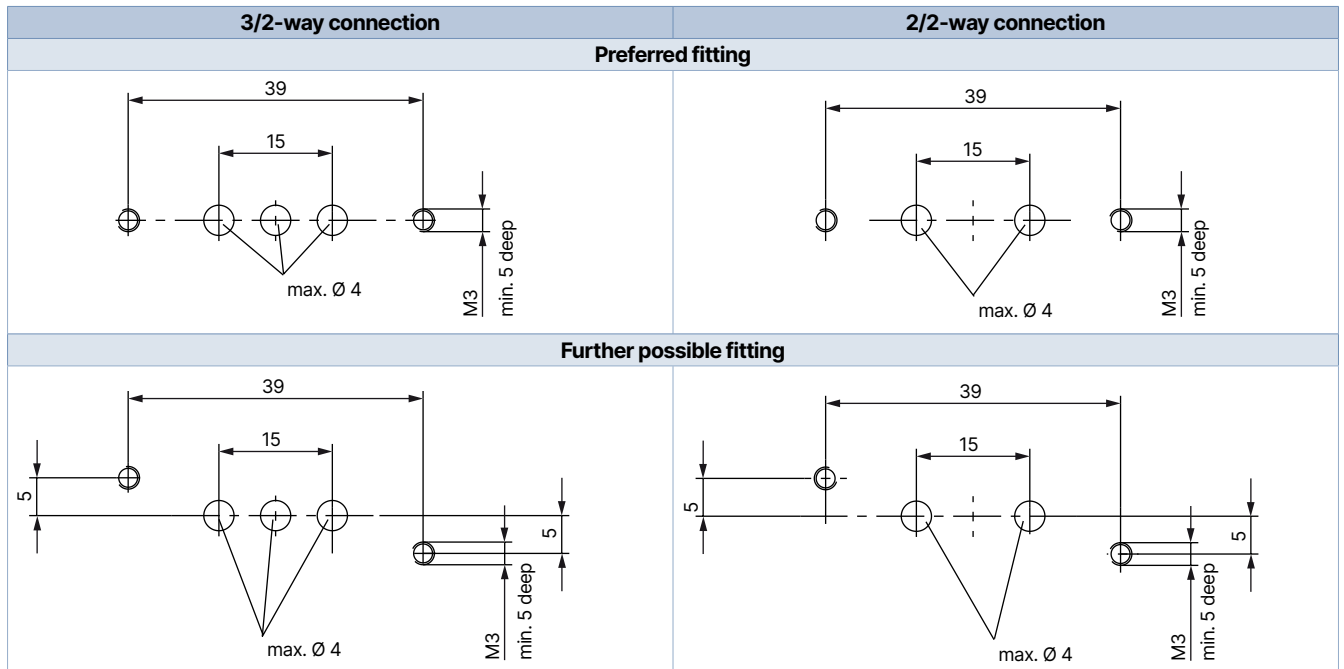
- Dimensions in mm
- Note polarity



6.3. Bürkert sub-base interface (16 × 46 mm)

Note:

Dimensions in mm



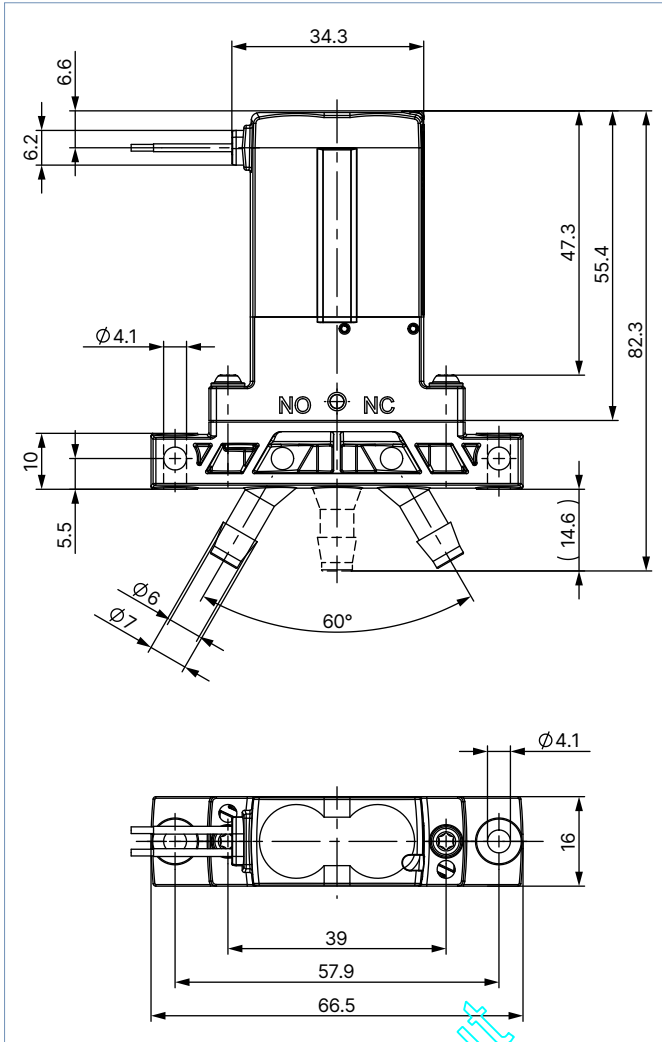
DTS 1000169436 EN Version: H Status: PO (Phase out) | Phase out | Phase out | printed: 30.01.2025

Phase out

6.4. Tube connector version with flying leads

Note:

Dimensions in mm

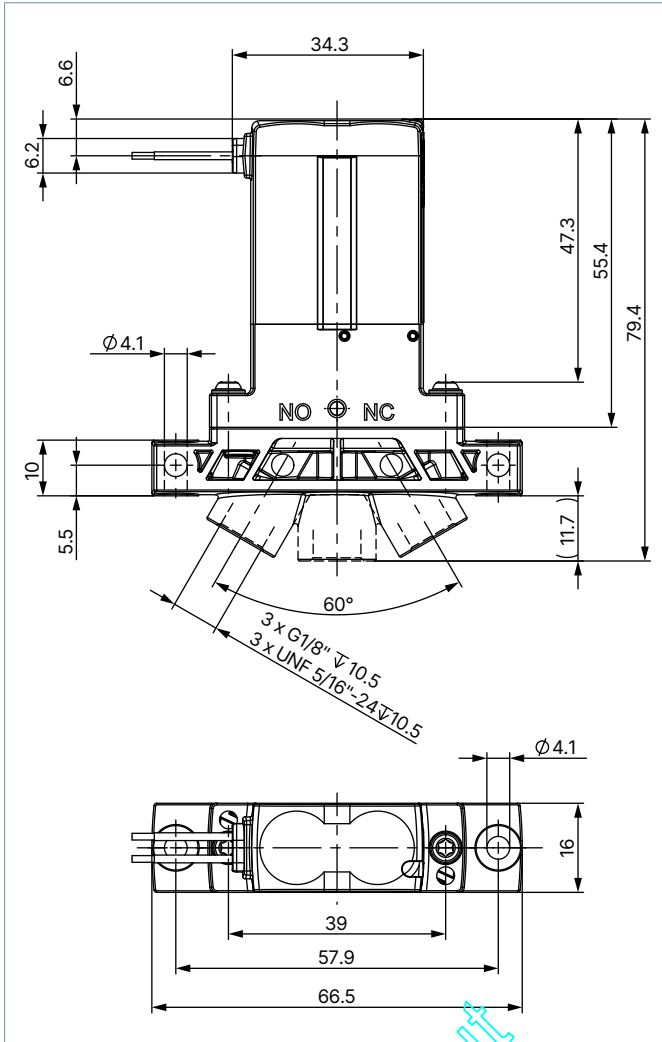


Phase out

6.5. Threaded version with flying leads

Note:

Dimensions in mm



Phase out

7. Ordering information

7.1. Bürkert eShop



Bürkert eShop – Easy ordering and quick delivery

You want to find your desired Bürkert product or spare part quickly and order directly? Our online shop is available for you 24/7. Sign up and enjoy all the benefits.

[Order online now](#)

7.2. Bürkert product filter

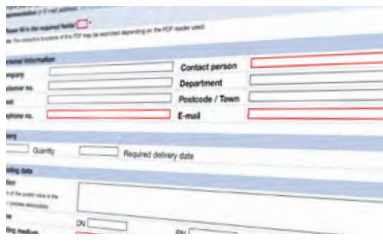


Bürkert product filter – Get quickly to the right product

You want to select products comfortably based on your technical requirements? Use the Bürkert product filter and find suitable articles for your application quickly and easily.

[Try out our product filter](#)

7.3. Bürkert Product Enquiry Form



Bürkert Product Enquiry Form – Your enquiry quickly and compactly

Would you like to make a specific product enquiry based on your technical requirements? Use our Product Enquiry Form for this purpose. There you will find all the relevant information for your Bürkert contact. This will enable us to provide you with the best possible advice.

[Fill out the form now](#)

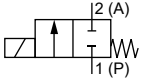
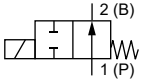
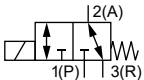
Phase out

DTS 1000169436 EN Version: H Status: PO (Phase out) | Phase out | Phase out | printed: 30.01.2025

7.4. Ordering chart

Note:

- Other versions are available on request.
- 2 x fixing screws M3 × 16 for sub-base versions are included in the scope of delivery.
- Connectors for rectangular plugs are not included in the scope of delivery and must be ordered separately, see “7.5. Ordering chart accessories” on page 12

Circuit functions	Port connection	Orifice	K _v value water ¹⁾	Voltage/ Frequency	Pressure range ²⁾	Max. pressure difference ²⁾	Body material	Seal material	Electrical connection	Article no.
		[mm]	[m ³ /h]	[V/Hz]	[bar]	[bar]				
CF A 2/2-way solenoid valve Direct-acting Normally closed 	Bürkert sub-base	2.0	0.10	12/DC	Vac...3	3	PEEK	FFKM	Flying leads 0.3 m	247775
	UNF 5/16"...24			24/DC						251709
	G 1/8"									234278
	Bürkert sub-base	3.0	0.19	24/DC	Vac...2	2	PEEK	FFKM	Rectangular plug	238530
	UNF 5/16"...24			0.15					Flying leads 0.3 m	251711
	Tube connector			0.19						228642
CF B 2/2-way solenoid valve Direct-acting Normally open 	Bürkert sub-base	2.0	0.10	24/DC	Vac...3	3	PEEK	FFKM	Flying leads 0.3 m	252773
	Bürkert sub-base	3.0	0.19	24/DC	Vac...2	2	PEEK	FFKM	Flying leads 0.3 m Rectangular plug	242597 245910
CF T³⁾ 3/2-way solenoid valve Direct-acting Flow direction optional Normally closed 	Bürkert sub-base	2.0	0.10	12/DC	Vac...3	3	PEEK	FFKM	Flying leads 0.3 m	247829
	UNF 5/16"...24			24/DC					251713	
	Bürkert sub-base	3.0	0.19	24/DC	Vac...3	3	PEEK	FFKM	Flying leads 0.3 m	234371
	UNF 5/16"...24			0.15					Rectangular plug	238531
	G 1/8"			0.19					Flying leads 0.3 m	251715
	Tube connector								Rectangular plug	247859 247858

1.) Measurement at + 20 °C, 1 bar at the valve inlet and free outlet
 2.) The values in brackets only apply to gaseous media.
 3.) Technical vacuum (- 0.8 bar) at NC or NO; connection at valve output (COM/OUT) only after consultation

Phase out

DTS 1000169436 EN Version: H Status: PO (Phase out) | Phase out | printed: 30.01.2025

7.5. Ordering chart accessories

Cable plug Type 2505

Note:

For further versions see data sheet [Type 2505](#) ▶.

Accessories	Description	Article no.
	Cable plug 10 mm with cable, 2-pin, rectangular plug, straight, cable length: 3 m (Type 2505)	252572
	Cable plug 10 mm with cable, 2-pin, rectangular plug, straight, cable length: 5 m (Type 2505)	255194
	Cable plug 10 mm with cable, 2-pin, rectangular plug, straight, cable length: 0.3 m (Type 2505)	644068
	Cable plug 10 mm with cable, 2-pin, rectangular plug, straight, cable length: 0.6 m (Type 2505)	162144
	Cable plug 10 mm, 2-pin, rectangular plug, straight (Type 2505)	644067

DTS 1000169436 EN Version: H Status: PO (Phase out) | Phase out | Phase out | printed: 30.01.2025

Phase out