




2/2 and 3/2 way Bürkert TwinPower rocker solenoid valve with separating diaphragm

- For highest chemical resistance requirements
- Ultra compact design due to Bürkert Twinpower actuator with 10.3 mm width
- DN 0.8 (5 bar) and DN 1.6 (2 bar)
- Integrated hit and hold electronic
- High back pressure tightness with excellent cleanability



Product variants described in the data sheet may differ from the product presentation and description.

Can be combined with

	<p>Type 2505 ▶ 10 mm socket for Bürkert small solenoid valves</p>
---	--

Type description

Type 6624 combines the reliable and successful Rocker principle with a highly innovative new actuator. The Bürkert TwinPower concept of this actuator reduces the size greatly without loss in performance. Hence the 10 mm wide medium isolated rocker valve, 6624, with a 1.6 mm orifice and a pressure resistance of 2 bar, provides the same performance as a traditional 16 mm valve. In addition, the integrated power reduction decreases the energy consumption by 75 %. In combination with other design features the heat transfer into the medium can be reduced to a minimum. In the design of the 6624, the main benefits lie in its excellent cleanability and a high reliability. By using high performance materials the 6624 suits the handling of aggressive medium perfectly. The valve is available in a 2-way and 3-way version.

Table of contents

1. General technical data	3
2. Product versions	4
3. Circuit functions	4
4. Approvals and conformities	4
4.1. General notes	4
4.2. Conformity	4
4.3. Standards	4
5. Materials	5
5.1. Bürkert resistApp	5
5.2. Material specifications	5
6. Dimensions	6
6.1. Sub-base version with flying leads	6
6.2. Sub-base version with rectangular plug Type 2505	6
6.3. Bürkert sub-base interface (10 × 30 mm)	7
6.4. Tube connector version with flying leads	7
6.5. UNF ¼"- 28 version with flying leads	8
7. Ordering information	8
7.1. Bürkert eShop	8
7.2. Bürkert product filter	8
7.3. Bürkert Product Enquiry Form	9
7.4. Ordering chart	9
7.5. Ordering chart accessories	10
Rectangular cable plug Type 2505	10
Further accessories	11

1. General technical data

Product properties	
Dimensions	Further information can be found in chapter "6. Dimensions" on page 6.
Material	
Seal	FFKM, FKM or EPDM
Fluidic housing	PEEK or PPS
Internal volume	Bürkert sub-base: from 110 µl Tube connector: from 285 µl UNF ¼"- 28: from 115 µl
Minimum bending radius for flying leads version	Single bending: 8 mm Multiple bending: 13 mm
Orifice	DN 0.8 (Vac ¹⁾ ...5 bar DN 1.6 (Vac ¹⁾ ...2 bar
Circuit function	A, B and T Further information can be found in chapter "3. Circuit functions" on page 4.
Performance data	
Switching time ³⁾	Opening: approx. 10 ms (pressure build-up 0...10 %) Closing: approx. 13 ms (pressure reduction 100...90 %)
Electrical data	
Operating voltage ²⁾	12/24 V DC
Duty cycle	100 % continuous operation
Nominal power	4 W inrush power 1 W nominal holding power (internal power reduction)
Switching frequency ⁴⁾	Max. 5 Hz
Voltage tolerance ³⁾	12 V DC + 10 % / - 5 % 24 V DC ± 10 %
Medium data	
Operating medium	Resistant to neutral and aggressive liquids and gases (see chapter "5.1. Bürkert resistApp" on page 5)
Medium temperature	FFKM: + 15 °C...+ 50 °C FKM: - 10 °C...+ 50 °C EPDM: - 10 °C...+ 50 °C (for orifice DN 0.8) + 5 °C...+ 50 °C (for orifice DN 1.6)
Viscosity	Max. 21 mm ² /s
Process/Port connection & communication	
Electrical connection	PFA single leads, 0.5 mm ² (AWG20), length 300 mm Rectangular cable plug Type 2505 ▶
Port connection	Bürkert sub-base (10 × 30 mm) Tube connection UNF ¼"- 28
Approvals and conformities	
Degree of protection	IP40 with flying leads IP30 with rectangular cable plug Type 2505 ▶
Environment and installation	
Installation	As required, preferably with actuator upright
Ambient temperature	FFKM: + 15 °C...+ 55 °C FKM: - 10 °C...+ 55 °C EPDM: - 10 °C...+ 55 °C (for orifice DN 0.8) + 5 °C...+ 55 °C (for orifice DN 1.6)

1.) Technical vacuum (-0.8 bar) to normally closed or normally open, connection to valve outlet (COM/OUT) only following consultation

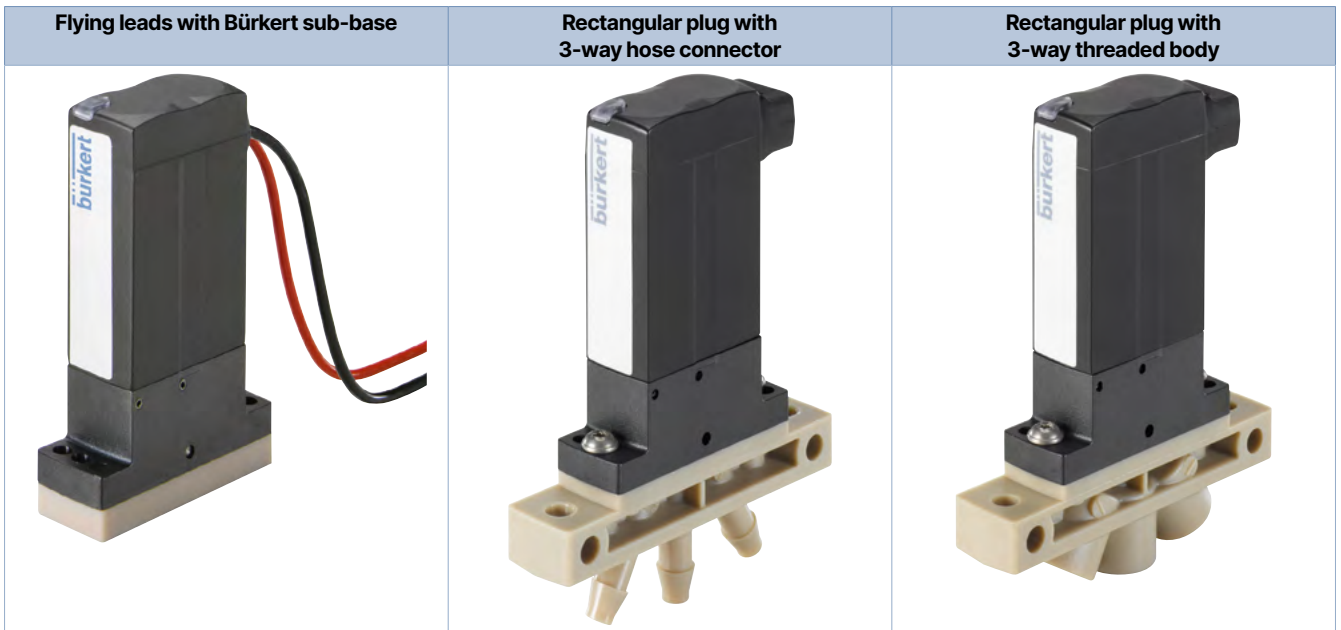
2.) Battery voltage, note polarity (Flying leads version: red = +, black = -)

3.) Maximum permitted residual ripple

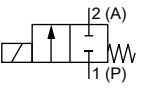
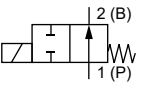
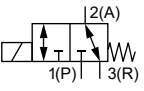
4.) At ambient temperature + 20 °C

5.) Measurement at + 20 °C, 2 bar at the valve outlet according to DIN ISO 12238:2001

2. Product versions



3. Circuit functions

Symbol	Description
	<p>Circuit function A (CF A) 2/2-way solenoid valve Direct-acting Normally closed</p>
	<p>Circuit function B (CF B) 2/2-way solenoid valve Direct-acting Normally open</p>
	<p>Circuit function T (CF T) 3/2-way solenoid valve Direct-acting Flow direction optional Normally closed</p>

4. Approvals and conformities

4.1. General notes

- The approvals and conformities listed below must be stated when making enquiries. This is the only way to ensure that the product complies with all required specifications.
- Not all available versions can be supplied with the below mentioned approvals or conformities.

4.2. Conformity

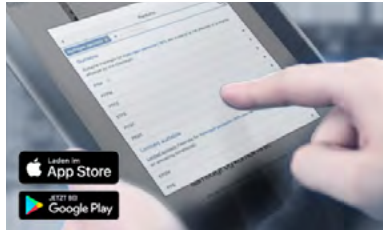
In accordance with the Declaration of Conformity, the product is compliant with the EU Directives.

4.3. Standards

The applied standards which are used to demonstrate compliance with the EU Directives are listed in the EU-Type Examination Certificate and/or the EU Declaration of Conformity.

5. Materials

5.1. Bürkert resistApp

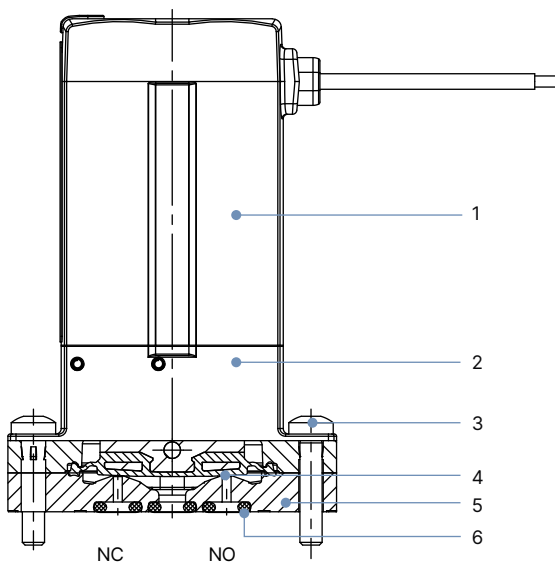


Bürkert resistApp – Chemical resistance chart

You want to ensure the reliability and durability of the materials in your individual application case? Verify your combination of media and materials on our website or in our resistApp.

[Start chemical resistance check](#)

5.2. Material specifications



No.	Element	Material
1	Coil	Epoxy
2	Valve body	PPS
3	Mounting screw M2	Stainless steel
4	Diaphragm ^{1.)}	FFKM, FKM or EPDM
5	Fluidic housing ^{1.)}	PEEK or PPS
6	Sub-base seal ^{1.)}	FFKM, FKM or EPDM

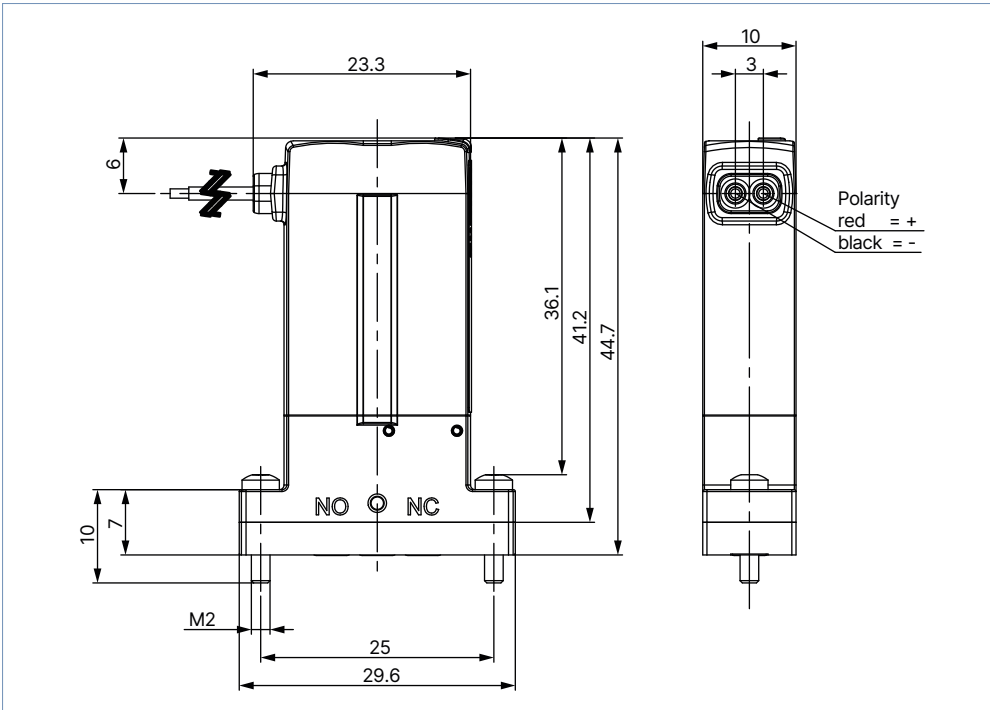
1.) in contact with medium

6. Dimensions

6.1. Sub-base version with flying leads

Note:

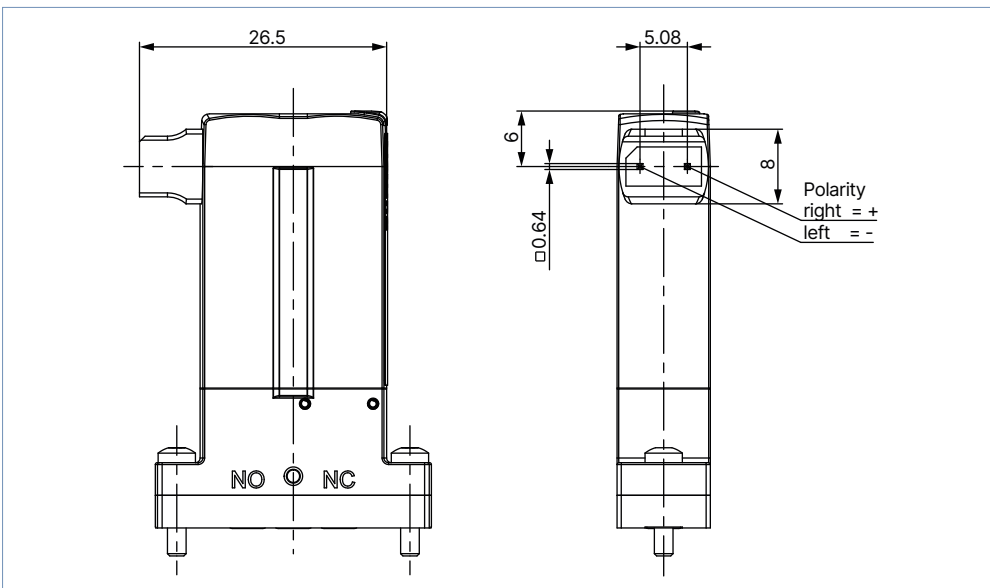
- Dimensions in mm
- Note polarity



6.2. Sub-base version with rectangular plug Type 2505

Note:

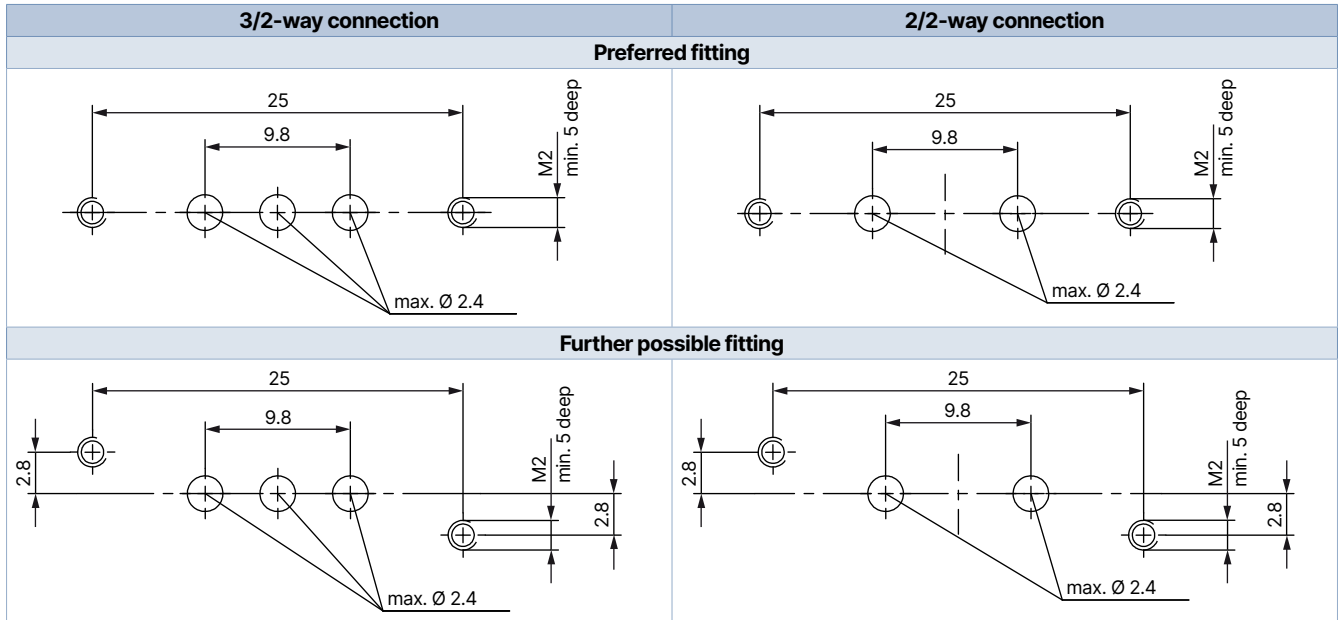
- Dimensions in mm
- Note polarity



6.3. Bürkert sub-base interface (10 × 30 mm)

Note:

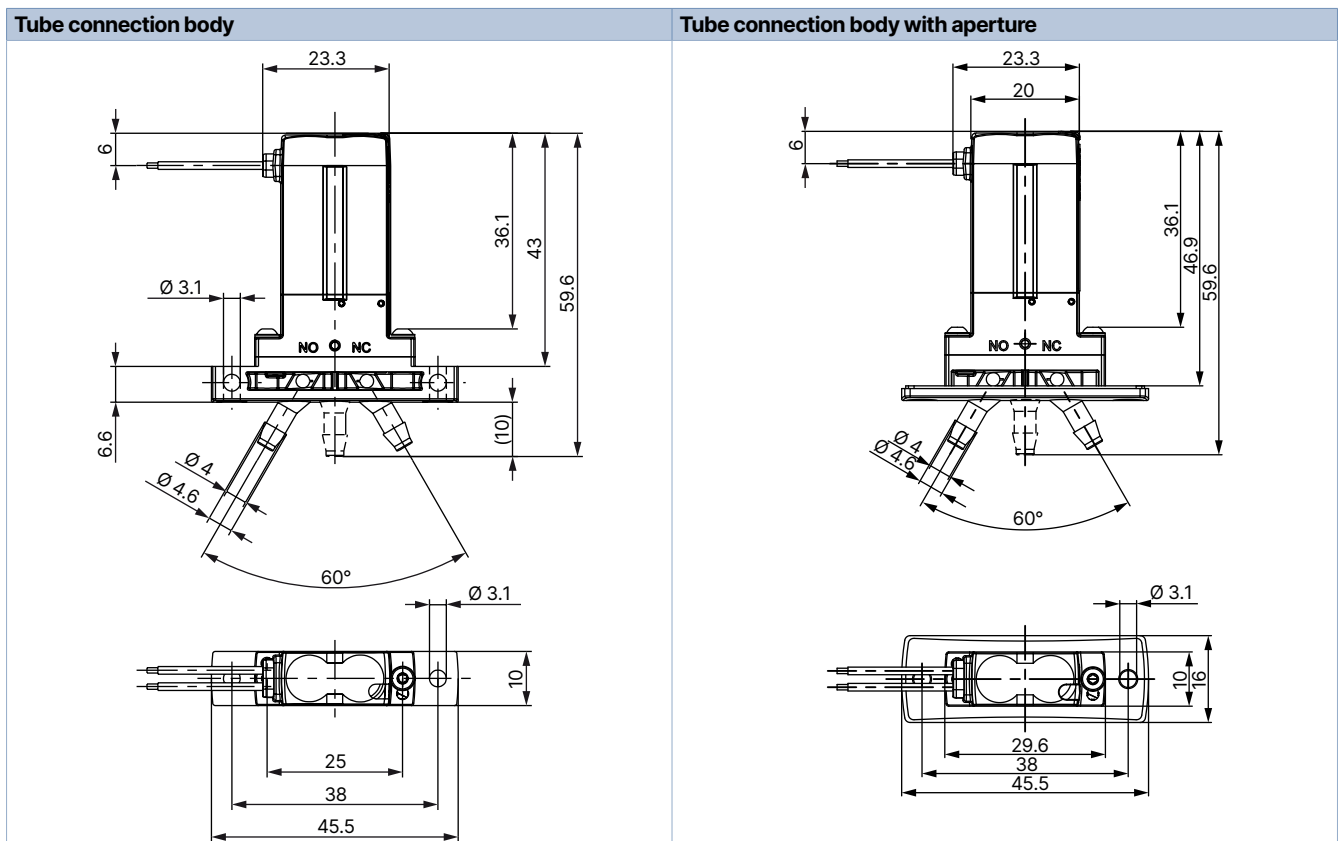
Dimensions in mm



6.4. Tube connector version with flying leads

Note:

Dimensions in mm

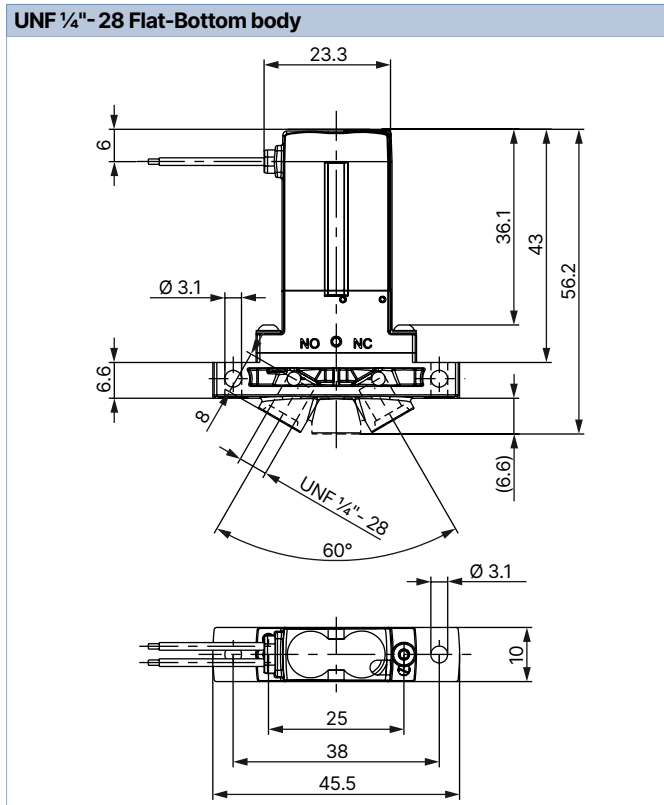


DTS 1000155774 EN Version: K Status: RL (released | freigegeben | valide) printed: 18.12.2024

6.5. UNF 1/4"- 28 version with flying leads

Note:

Dimensions in mm



7. Ordering information

7.1. Bürkert eShop



Bürkert eShop – Easy ordering and quick delivery

You want to find your desired Bürkert product or spare part quickly and order directly? Our online shop is available for you 24/7. Sign up and enjoy all the benefits.

[Order online now](#)

7.2. Bürkert product filter

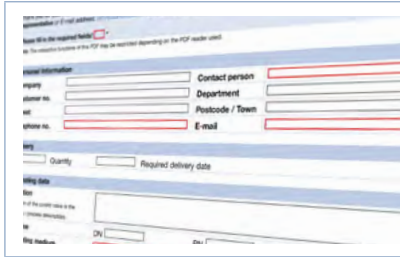


Bürkert product filter – Get quickly to the right product

You want to select products comfortably based on your technical requirements? Use the Bürkert product filter and find suitable articles for your application quickly and easily.

[Try out our product filter](#)

7.3. Bürkert Product Enquiry Form



Bürkert Product Enquiry Form – Your enquiry quickly and compactly

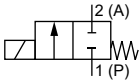
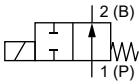
Would you like to make a specific product enquiry based on your technical requirements? Use our Product Enquiry Form for this purpose. There you will find all the relevant information for your Bürkert contact. This will enable us to provide you with the best possible advice.

[Fill out the form now](#)

7.4. Ordering chart

Note:

- Other versions are available on request.
- 2 x fixing screws M2 × 10 for sub-base versions are included in the scope of delivery.
- Connectors for rectangular plugs are not included in the scope of delivery and must be ordered separately, see ["7.5. Ordering chart accessories" on page 10](#)

Circuit functions	Port connection	Orifice	K _v value water ¹⁾	Voltage/ Frequency	Pressure range	Max. pressure difference	Body material	Seal material	Electrical connection	Article no.	
		[mm]	[m ³ /h]	[V/Hz]	[bar]	[bar]					
CF A 2/2-way solenoid valve Direct-acting Normally closed 	Bürkert sub-base	0.8	0.01	12/DC	Vac...5	5	PPS	EPDM	Flying leads 0.3 m	241341	
				24/DC					Rectangular plug	241398	
									Flying leads 0.3 m	241342	
									Rectangular plug	241399	
				12/DC					Flying leads 0.3 m	241344	
				24/DC						227015	
	UNF 1/4"- 28	PPS	FKM	12/DC	Vac...5	5	PPS	FKM	Rectangular plug	241405	
				24/DC					Flying leads 0.3 m	241351	
				12/DC						241346	
		PEEK	FFKM	24/DC	Vac...5	5	PEEK	FFKM	Rectangular plug	241349	
										241347	
									Rectangular plug	241404	
CF B 2/2-way solenoid valve Direct-acting Normally open 	Bürkert sub-base	1.6	0.04	12/DC	Vac...2	2	PPS	EPDM	Rectangular plug	241412	
				24/DC						241413	
				12/DC					Flying leads 0.3 m	241359	
				24/DC					Rectangular plug	229429	
	UNF 1/4"- 28	PPS	FKM	12/DC	Vac...2	2	PPS	FKM	Flying leads 0.3 m	241367	
				24/DC					Rectangular plug	241424	
		PEEK	EPDM	12/DC	Vac...2	2	PEEK	EPDM	Rectangular plug	241411	
				24/DC					Flying leads 0.3 m	241368	
	Tube connector	PEEK	FFKM	FKM	Vac...2	2	PEEK	FFKM	Rectangular plug	241366	
											241366
										Rectangular plug	241423
										EPDM	241409
Bürkert sub-base	PEEK	FFKM	FKM	Vac...5	5	PEEK	FFKM	Flying leads 0.3 m	237705		
										241363	
Bürkert sub-base	PEEK	FFKM	FKM	Vac...2	2	PEEK	FFKM	Rectangular plug	241421		
										241421	
Bürkert sub-base	PEEK	FFKM	FKM	Vac...2	2	PEEK	FFKM	Flying leads 0.3 m	o. r.		
								Rectangular plug	257036		

DTS 1000155774 EN Version: K Status: RL (released | freigegeben | valide) printed: 18.12.2024

Circuit functions	Port connection	Orifice	K _v value water ^{1.)}	Voltage/Frequency	Pressure range	Max. pressure difference	Body material	Seal material	Electrical connection	Article no.									
		[mm]	[m ³ /h]	[V/Hz]	[bar]	[bar]													
CF T^{2.)} 3/2-way solenoid valve Direct-acting Flow direction optional Normally closed 	Bürkert sub-base	0.8	0.01	12/DC	Vac...5	5	PPS	EPDM	Rectangular plug	241428									
				24/DC					241429										
				12/DC					241373										
				24/DC					222936										
				12/DC					241379										
	UNF 1/4"-28	0.8	0.01	0.01	12/DC	Vac...5	5	PEEK	FFKM	Flying leads 0.3 m	241375								
					24/DC					241377									
					12/DC					241434									
					24/DC					241435									
					12/DC					241375									
	Bürkert sub-base	1.6	0.04	0.04	12/DC	Vac...2	2	PPS	EPDM	Rectangular plug	241442								
					24/DC					241443									
					12/DC					239935									
					24/DC					227815									
					12/DC					229430									
					UNF 1/4"-28					1.6	0.04	0.04	12/DC	Vac...2	2	PEEK	FFKM	Flying leads 0.3 m	241394
																		24/DC	241453
																		12/DC	241395
																		24/DC	241441
																		12/DC	241389
Tube connector	1.6	0.04	0.04	12/DC	Vac...2	2	PPS	FKM	Rectangular plug	241452									
									24/DC	241393									
									12/DC	241439									
									24/DC	241387									
									12/DC	242320									
Tube connector ^{3.)}	1.6	0.04	0.04	12/DC	Vac...2	2	PEEK	EPDM	Rectangular plug	241445									
									24/DC	241391									
									12/DC	241452									
									24/DC	241393									
									12/DC	241450									
Tube connector	1.6	0.04	0.04	12/DC	Vac...2	2	PEEK	FKM	Rectangular plug	241450									
									24/DC	241391									
									12/DC	241452									
									24/DC	241393									
									12/DC	241450									

o. r. = on request

1.) Measurement at + 20 °C, 1 bar at the valve inlet and free outlet

2.) Technical vacuum (- 0.8 bar) to normally closed or normally open, connection to valve outlet (COM/OUT) only following consultation

3.) The housing has an aperture for easier separation of electronics and fluidics.

7.5. Ordering chart accessories

Rectangular cable plug Type 2505

Note:

For further versions see data sheet [Type 2505](#) ▶.

Accessories	Description	Article no.
	Cable plug 10 mm with cable, 2-pin, rectangular plug, straight, cable length: 3 m (Type 2505)	252572
	Cable plug 10 mm with cable, 2-pin, rectangular plug, straight, cable length: 5 m (Type 2505)	255194
	Cable plug 10 mm with cable, 2-pin, rectangular plug, straight, cable length: 0,3 m (Type 2505)	644068
	Cable plug 10 mm with cable, 2-pin, rectangular plug, straight, cable length: 0.6 m (Type 2505)	162144
	Cable plug 10 mm, 2-pin, rectangular plug, straight (Type 2505), single contact for individual mounting	644067

DTS 1000155774 EN Version: K Status: RL (released | freigegeben | validé) printed: 18.12.2024

Further accessories

Accessories	Description	Article no.
	<p>Foamed EPDM flat seal for tube connector body with aperture</p>	<p>685294 </p>
	<p>EPDM cover cap for sub-base body</p>	<p>o. r.</p>

o. r. = on request