






### Servo-assisted 2/2-way piston valve

- Servo-assisted piston valve up to DN50 orifice
- Safe opening with hard-coupled piston system without differential pressure
- Vibration-resistant, push-over coil system
- Explosion-proof variants
- Energy-saving double coil technology with kick and drop variant

Product variants described in the data sheet may differ from the product presentation and description.

#### Can be combined with

|   |   |   |
|---|---|---|
|   | <b>Type 2518</b><br>Cable plug,<br>form A according to<br>DIN EN 175301-803 | ▶ |
|  | <b>Type 1087</b><br>Timer,<br>form A according to<br>DIN EN 175301-803      | ▶ |
|  | <b>Type 2509</b><br>Cable plug,<br>form A according to<br>DIN EN 175301-803 | ▶ |

#### Type description

The Type 6407 valve is a servo-assisted piston valve. The fix coupling between pilot valve and piston provides an opening of the valve without pressure difference. As a piston valve, the Type 6407 is particular suitable for media such as gas and steam. As well as liquids with low operating temperature below 0°C. The stopper and the core guide pipe are welded together to enhance pressure resistance and leak-tightness. Various seal material combinations are available depending on the application. The coils are moulded with chemically resistant epoxy. To reduce power consumption in operation, coils with Kick and Drop electronics (double coil technology) are available. In combination with a plug acc. to DIN EN 175301-803 Form A, the valves satisfy IP65 degree of protection.

DTS 1000583397 EN Version: C Status: RL (released | freigegeben | validé) printed: 12.03.2025

## Table of contents

|   |           |
|---|-----------|
| <b>1. General technical data</b>  | <b>3</b>  |
| <b>2. Circuit functions</b>   | <b>4</b>  |
| <b>3. Approvals and conformities</b>  | <b>4</b>  |
| 3.1. General notes .....  | 4         |
| 3.2. Conformity .....   | 4         |
| 3.3. Standards .....  | 4         |
| 3.4. Explosion protection.....  | 5         |
| 3.5. North America (USA/Canada) .....   | 5         |
| <b>4. Materials</b>   | <b>6</b>  |
| 4.1. Bürkert resistApp .....  | 6         |
| 4.2. Material specifications .....  | 6         |
| Threaded body.....  | 6         |
| Flange body.....  | 7         |
| <b>5. Dimensions</b>  | <b>8</b>  |
| 5.1. Standard variant DN 13...DN 32.....  | 8         |
| Threaded variant.....   | 8         |
| Flange variant.....   | 9         |
| 5.2. Standard variant DN 50 .....   | 10        |
| Threaded variant.....   | 10        |
| Flange variant.....   | 11        |
| 5.3. ATEX/IECEX variant.....  | 12        |
| <b>6. Performance specifications</b>  | <b>13</b> |
| 6.1. Power consumption .....  | 13        |
| <b>7. Product accessories</b>   | <b>13</b> |
| 7.1. Special tool to turn the terminal box .....  | 13        |
| <b>8. Ordering information</b>  | <b>13</b> |
| 8.1. Bürkert eShop .....  | 13        |
| 8.2. Bürkert product filter.....  | 13        |
| 8.3. Bürkert Product Enquiry Form .....   | 14        |
| 8.4. Ordering chart standard variant DN 13...DN 32.....                                       | 14        |
| UL Recognized with coil UL Recognized (cURus) .....   | 14        |
| UL Listed with coil UL Recognized (cULus).....  | 14        |
| 8.5. Ordering chart steam variant with valve seat in stainless steel DN 13...DN 32 .....      | 15        |
| UL Recognized with coil UL Recognized (cURus) .....   | 15        |
| UL Listed with coil UL Recognized (cULus).....  | 15        |
| 8.6. Ordering chart steam variant with flange connection DN 25 and DN 32 .....                | 16        |
| Coil UL recognized (cURus).....   | 16        |
| 8.7. Ordering chart standard variant DN 50 .....  | 16        |
| Steam variant with valve seat in stainless steel DN 50 .....                                  | 17        |
| 8.8. Ordering chart explosion proof variant DN 13...DN 25 .....                               | 17        |
| Coil UL Listed (cULus) for hazardous locations, Class 1, Division 2 cable variant.....        | 17        |
| Coil UL Listed (cULus) for hazardous locations, Class 1, Division 2 terminal box variant..... | 17        |
| 8.9. Ordering chart accessories.....  | 18        |
| Cable plug Type 2518, form A according to DIN EN 175301 - 803 .....                           | 18        |
| Cable plug Type 2509, form A according to DIN EN 175301 - 803.....                            | 18        |
| Special tool to turn the terminal box .....   | 19        |

## 1. General technical data

| Product properties                        |  |
|---|--|
| Dimensions                                | Further information can be found in chapter "5. Dimensions" on page 8.   |
| <b>Material</b>                           |  |
| Seal                                      | PTFE and graphite  |
| Body                                      | Brass  |
| Coil                                      | Epoxy  |
| Orifice                                   | DN 13...DN 50  |
| Circuit function                          | A<br>Further information can be found in chapter "2. Circuit functions" on page 4.   |
| Thermal insulation class of solenoid coil | Epoxy coil class H   |
| Performance data                          |  |
| Duty cycle                                | 100 % continuous operation, Kick and Drop coil max. 6 switching cycles/minute  |
| <b>Switching time<sup>1)</sup></b>        |  |
| DN 13                                     | Opening: 30 ms<br>Closing: 250 ms  |
| DN 20                                     | Opening: 30 ms<br>Closing: 250 ms  |
| DN 25                                     | Opening: 60 ms<br>Closing: 700 ms  |
| DN 32                                     | Opening: 80 ms<br>Closing: 900 ms  |
| DN 50                                     | Opening: 500 ms<br>Closing: 2000 ms  |
| Electrical data                           |  |
| Operating voltage                         | 24 V DC, 24 V 50 Hz, 24 V 60 Hz, 110 V 50 Hz, 120 V 60 Hz, 230 V 50 Hz, 240 V 60 Hz (further voltages on request)  |
| Power consumption                         | Further information can be found in chapter "6.1. Power consumption" on page 13.   |
| Voltage tolerance                         | ± 10 %   |
| Medium data                               |  |
| Operating medium                          | Neutral gases and liquids (e.g. compressed air, water, hydraulic oil, hot water and steam)   |
| <b>Medium temperature</b>                 |  |
| Standard variant                          | PTFE and graphite: - 40 °F... + 302 °F<br>PTFE and FKM: + 14 °F... + 248 °F  |
| Steam variant                             | PTFE and graphite: + 32 °F... + 302 °F<br>PTFE and FKM: + 32 °F... + 248 °F  |
| Explosion-proof variant                   | PTFE and graphite: - 40 °F... + 248 °F<br>PTFE and FKM: + 14 °F... + 248 °F  |
| Viscosity                                 | Max. 21 cSt  |
| Process/Port connection and communication |  |
| Electrical connection                     | <ul style="list-style-type: none"> <li>Plug contacts according to DIN EN 175 301 - 803 form A for cable plug <b>Type 2518</b> ►<br/>Further information can be found in chapter "Cable plug Type 2518, form A according to DIN EN 175301 - 803" on page 18.</li> <li>Plug contacts according to DIN EN 175 301 - 803 form A for cable plug <b>Type 2509</b> ►<br/>Further information can be found in chapter "Cable plug Type 2509, form A according to DIN EN 175301 - 803" on page 18.</li> </ul> |
| Port connection                           | G ½, G ¾, G 1, G 1 ¼, G 1 ½, G 2, G 2 ½<br>NPT ½, NPT ¾, NPT 1, NPT 1 ¼, NPT 1 ½, NPT 2  |
| Approvals and conformities                |  |
| Degree of protection                      | IP65 with cable plug   |
| Explosion protection                      | Further information can be found in chapter "3.4. Explosion protection" on page 5.   |
| North America (USA/Canada)                | Further information can be found in chapter "3.5. North America (USA/Canada)" on page 5.   |

**Environment and installation**

|                            |   |
|----------------------------|---|
| Installation position      | As required, preferably with actuator upright   |
| <b>Ambient temperature</b> |   |
| Standard variant           | PTFE + graphite: - 40 °F...+ 131 °F<br>PTFE + FKM: + 14 °F...+ 131 °F                       |
| Steam variant              | PTFE + graphite: + 32 °F...+ 113 °F (+ 131 °F on request)<br>PTFE + FKM: + 32 °F...+ 131 °F |
| Explosion-proof variant    | 14 °F...+ 104 °F  |

1.) Measurement at + 68 °F, 87 psi at the valve outlet, opening: pressure build-up 0...90 %, closing: pressure reduction 100...10 %

**2. Circuit functions**

| Symbol | Description  |
|--------|--|
|        | <p><b>Circuit function A (CF A)</b><br/>                 2/2-way solenoid valve<br/>                 Servo-controlled<br/>                 Normally closed</p> |

**3. Approvals and conformities**

**3.1. General notes**

- The approvals and conformities listed below must be stated when making enquiries. This is the only way to ensure that the product complies with all required specifications.
- Not all available variants can be supplied with the below mentioned approvals or conformities.

**3.2. Conformity**



In accordance with the Declaration of Conformity, the product is compliant with the EU Directives.

**3.3. Standards**


The applied standards which are used to demonstrate compliance with the EU Directives are listed in the EU-Type Examination Certificate and/or the EU Declaration of Conformity.

DTS 1000583397 EN Version: C Status: RL (released | freigegeben | validé) printed: 12.03.2025

### 3.4. Explosion protection

| Approval  | Description  |                |   |                        |  |  |  |  |  |
|---|--|----------------|---|------------------------|--|--|--|--|--|
| <br><br>  | <p><b>Optional: Explosion protection according to category 2 (zone 1/21)</b></p> <p>Ex marking of the components according to the following table:</p> <table border="1"> <thead> <tr> <th colspan="2">Coil Type AC19</th> </tr> <tr> <th>Coil with cable outlet</th> <th>Coil with terminal box</th> </tr> </thead> <tbody> <tr> <td> <b>ATEX:</b><br/>                     EPS 16 ATEX 1072 X<br/>                     II 2G Ex mb IIC T4 Gb<br/>                     II 2D Ex mb IIIC T130 °C Db                 </td> <td> <b>ATEX:</b><br/>                     EPS 16 ATEX 1072 X<br/>                     II 2G Ex eb mb IIC T4 Gb<br/>                     II 2D Ex mb tb IIIC T130 °C Db                 </td> </tr> <tr> <td> <b>IECEX:</b><br/>                     IECEX EPS 16.0030 X<br/>                     II 2G Ex mb IIC T4 Gb<br/>                     II 2D Ex mb IIIC T130 °C Db                 </td> <td> <b>IECEX:</b><br/>                     IECEX EPS 16.0030 X<br/>                     II 2G Ex eb mb IIC T4 Gb<br/>                     II 2D Ex mb tb IIIC T130 °C Db                 </td> </tr> </tbody> </table> | Coil Type AC19 |   | Coil with cable outlet | Coil with terminal box   | <b>ATEX:</b><br>EPS 16 ATEX 1072 X<br>II 2G Ex mb IIC T4 Gb<br>II 2D Ex mb IIIC T130 °C Db | <b>ATEX:</b><br>EPS 16 ATEX 1072 X<br>II 2G Ex eb mb IIC T4 Gb<br>II 2D Ex mb tb IIIC T130 °C Db | <b>IECEX:</b><br>IECEX EPS 16.0030 X<br>II 2G Ex mb IIC T4 Gb<br>II 2D Ex mb IIIC T130 °C Db | <b>IECEX:</b><br>IECEX EPS 16.0030 X<br>II 2G Ex eb mb IIC T4 Gb<br>II 2D Ex mb tb IIIC T130 °C Db |
|   | Coil Type AC19   |                |   |                        |  |  |  |  |  |
| Coil with cable outlet  | Coil with terminal box   |                |   |                        |  |  |  |  |  |
| <b>ATEX:</b><br>EPS 16 ATEX 1072 X<br>II 2G Ex mb IIC T4 Gb<br>II 2D Ex mb IIIC T130 °C Db  | <b>ATEX:</b><br>EPS 16 ATEX 1072 X<br>II 2G Ex eb mb IIC T4 Gb<br>II 2D Ex mb tb IIIC T130 °C Db   |                |   |                        |  |  |  |  |  |
| <b>IECEX:</b><br>IECEX EPS 16.0030 X<br>II 2G Ex mb IIC T4 Gb<br>II 2D Ex mb IIIC T130 °C Db  | <b>IECEX:</b><br>IECEX EPS 16.0030 X<br>II 2G Ex eb mb IIC T4 Gb<br>II 2D Ex mb tb IIIC T130 °C Db   |                |   |                        |  |  |  |  |  |
| <p><b>Optional: Explosion protection according to category 3 (zone 2/22)</b></p> <p>Ex marking of the components according to the following table:</p> <table border="1"> <thead> <tr> <th colspan="2">Coil Type AC19</th> </tr> <tr> <th colspan="2">Coil with plug contacts form A and cable plug Type 2509</th> </tr> </thead> <tbody> <tr> <td colspan="2"> <b>ATEX:</b><br/>                     EPS 16 ATEX 1072 X<br/>                     II 2G Ex mb IIC T4 Gb<br/>                     II 2D Ex mb IIIC T130 °C Db                 </td> </tr> <tr> <td colspan="2"> <b>IECEX:</b><br/>                     IECEX EPS 16.0030 X<br/>                     II 2G Ex mb IIC T4 Gb<br/>                     II 2D Ex mb IIIC T130 °C Db                 </td> </tr> </tbody> </table> | Coil Type AC19   |                | Coil with plug contacts form A and cable plug Type 2509 |                        | <b>ATEX:</b><br>EPS 16 ATEX 1072 X<br>II 2G Ex mb IIC T4 Gb<br>II 2D Ex mb IIIC T130 °C Db |  | <b>IECEX:</b><br>IECEX EPS 16.0030 X<br>II 2G Ex mb IIC T4 Gb<br>II 2D Ex mb IIIC T130 °C Db     |  |  |
| Coil Type AC19  |  |                |   |                        |  |  |  |  |  |
| Coil with plug contacts form A and cable plug Type 2509   |  |                |   |                        |  |  |  |  |  |
| <b>ATEX:</b><br>EPS 16 ATEX 1072 X<br>II 2G Ex mb IIC T4 Gb<br>II 2D Ex mb IIIC T130 °C Db  |  |                |   |                        |  |  |  |  |  |
| <b>IECEX:</b><br>IECEX EPS 16.0030 X<br>II 2G Ex mb IIC T4 Gb<br>II 2D Ex mb IIIC T130 °C Db  |  |                |   |                        |  |  |  |  |  |

### 3.5. North America (USA/Canada)

| Approval  | Description   |
|---|---|
|  | <p><b>Optional: UL Listed for the USA (valid for valves)</b></p> <p>The valves are UL Listed for the USA according to:</p> <ul style="list-style-type: none"> <li>UL 429 (electrically operated valves)</li> </ul>  |
|  | <p><b>Optional: UL Hazardous Locations – Explosion Protection (valid for coils)</b></p> <p>UL Listed for Hazardous Locations for USA and Canada</p> <p>Class I, Zone 1</p> <p>Class I, Division 2, Group A, B, C and D</p> <p>Class II + III, Division 2, Group F and G</p> |
|  | <p><b>Optional: UL Recognized for the USA (valid for valves)</b></p> <p>The valves are UL Recognized for the USA according to:</p> <ul style="list-style-type: none"> <li>UL 429 (electrically operated valves)</li> </ul>  |

DTS 1000583397 EN Version: C Status: RL (released | freigegeben | valide) printed: 12.03.2025

## 4. Materials

### 4.1. Bürkert resistApp



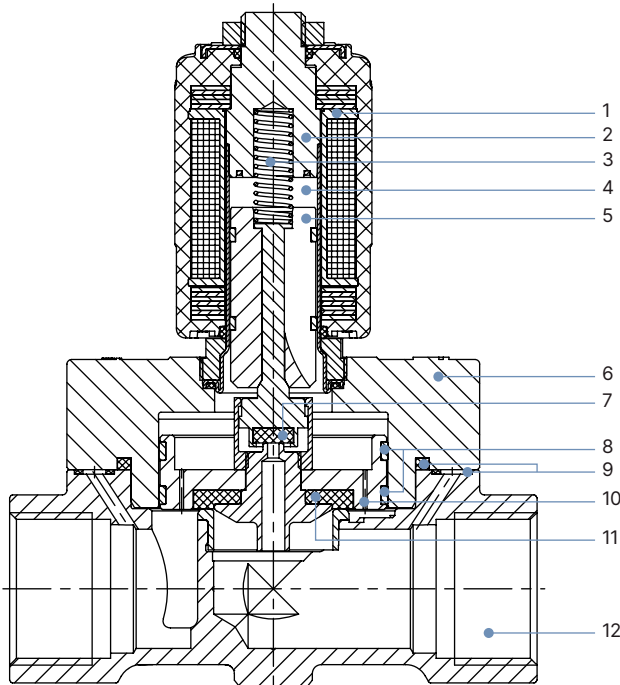
#### Bürkert resistApp – Chemical resistance chart

You want to ensure the reliability and durability of the materials in your individual application case? Verify your combination of media and materials on our website or in our resistApp.

[Start chemical resistance check](#)

### 4.2. Material specifications

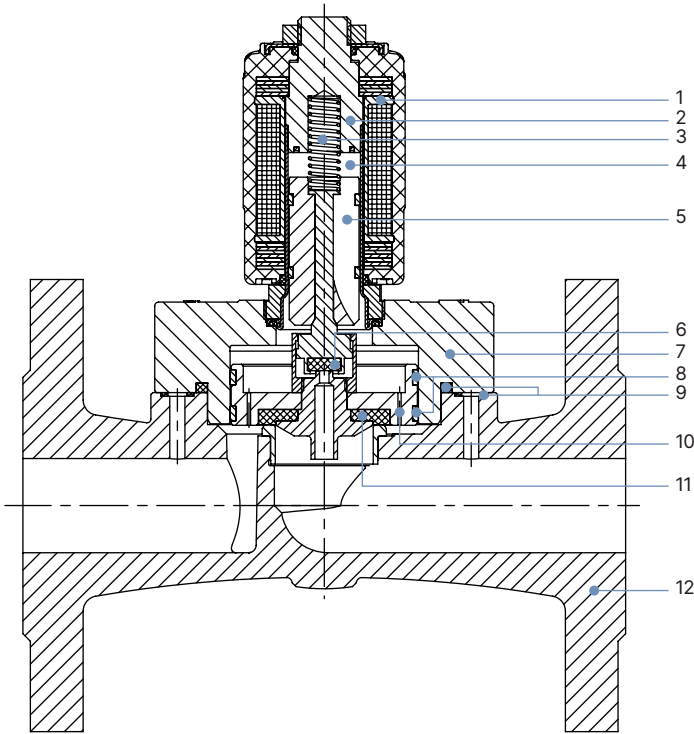
#### Threaded body



| No. | Element             | Material  |
|-----|---------------------|---|
| 1   | Coil                | Epoxy   |
| 2   | Stopper             | Stainless steel 1.4113/434 <sup>1)</sup>                    |
| 3   | Spring              | Stainless steel 1.4310/301 <sup>1)</sup>                    |
| 4   | Armature guide tube | Stainless steel 1.4303/305 <sup>1)</sup> /308 <sup>1)</sup> |
| 5   | Core                | Stainless steel 1.4113/434 <sup>1)</sup>                    |
| 6   | Cover               | Brass   |
| 7   | Seal                | PTFE  |
| 8   | Piston rings        | PTFE  |
| 9   | Sealing rings       | Graphite  |
| 10  | Plunger             | Brass   |
| 11  | Piston seal         | PTFE  |
| 12  | Body                | Brass   |

1.) Material designation according to AISI

Flange body



| No. | Element             | Material  |
|-----|---------------------|---|
| 1   | Coil                | Epoxy   |
| 2   | Stopper             | Stainless steel 1.4113/434 <sup>1)</sup>                    |
| 3   | Spring              | Stainless steel 1.4310/301 <sup>1)</sup>                    |
| 4   | Armature guide tube | Stainless steel 1.4303/305 <sup>1)</sup> /308 <sup>1)</sup> |
| 5   | Core                | Stainless steel 1.4113/434 <sup>1)</sup>                    |
| 6   | Seal                | PTFE  |
| 7   | Cover               | Brass   |
| 8   | Piston rings        | PTFE  |
| 9   | Sealing rings       | Graphite  |
| 10  | Plunger             | Brass   |
| 11  | Piston seal         | PTFE  |
| 12  | Body                | Stainless steel 1.4581/similar 316Ti <sup>1)</sup>          |

1.) Material designation according to AISI

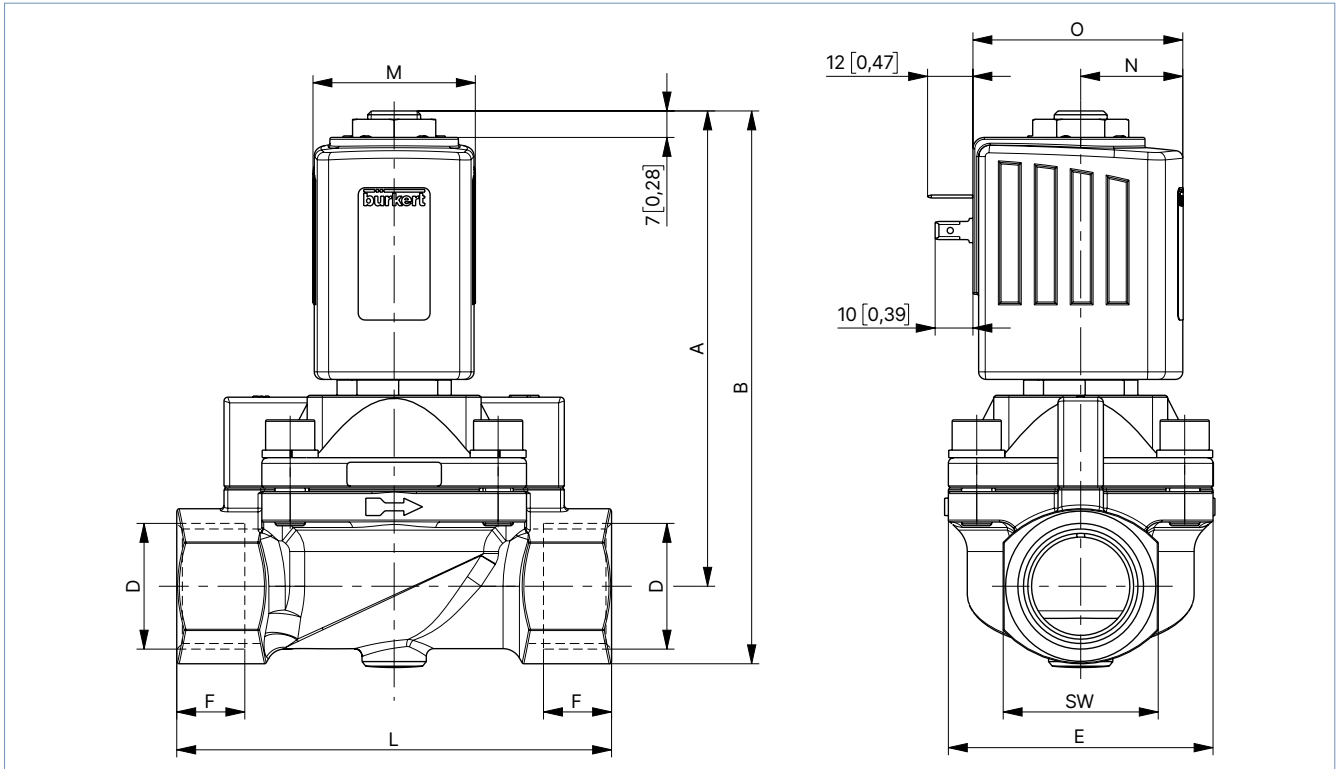
## 5. Dimensions

### 5.1. Standard variant DN 13...DN 32

#### Threaded variant

**Note:**

- Dimensions in mm [inch]
- The dimensions D1 and F1 apply to G-threads.
- The dimensions D2 and F2 apply to NPT-threads.
- The dimensions D3 and F3 apply to Rc-threads.



| Coil size | M    |      | N    |      | O    |      |
|-----------|------|------|------|------|------|------|
|           | [mm] | [in] | [mm] | [in] | [mm] | [in] |
| K         | 42   | 1.65 | 27   | 1.06 | 55.5 | 2.19 |
| L         | 65   | 2.56 | 37.5 | 1.48 | 72   | 2.83 |

| DN | A     |      | B     |      | G thread |      |      | NPT thread |      |      | Rc thread |      |      | E    |      | L    |      | SW   |      |
|----|-------|------|-------|------|----------|------|------|------------|------|------|-----------|------|------|------|------|------|------|------|------|
|    | [mm]  | [in] | [mm]  | [in] | D1       | F1   |      | D2         | F2   |      | D3        | F3   |      | [mm] | [in] | [mm] | [in] | [mm] | [in] |
|    |       |      |       |      | [Zoll]   | [mm] | [in] | [Zoll]     | [mm] | [in] | [Zoll]    | [mm] | [in] |      |      |      |      |      |      |
| 13 | 118.7 | 4.67 | 132.7 | 5.22 | -        | -    | -    | -          | -    | -    | Rc 3/8    | 10.1 | -    | 40   | 1.57 | 65   | 2.56 | 27   | 1.06 |
| 13 |       |      |       |      | G 1/2    | 14   | 0.55 | NPT 1/2    | 13.7 | 0.54 | Rc 1/2    | 13.2 | -    |      |      |      |      |      |      |
| 20 | 119.7 | 4.71 | 135.7 | 5.34 | G 3/4    | 16   | 0.63 | NPT 3/4    | 14   | 0.55 | Rc 3/4    | 14.5 | 0.57 | 60   | 2.36 | 100  | 3.94 | 32   | 1.26 |
| 25 | 125.7 | 4.95 | 146.2 | 5.76 | G 1      | 18   | 0.71 | NPT 1      | 16.8 | 0.66 | Rc 1      | 16.8 | 0.66 | 70   | 2.76 | 115  | 4.53 | 41   | 1.61 |
| 32 | 142.7 | 5.62 | 167.7 | 6.60 | G 1 1/4  | 20   | 0.79 | NPT 1 1/4  | 17.3 | 0.68 | Rc 1 1/4  | 19.1 | 0.75 | 85   | 3.35 | 126  | 4.96 | 50   | 1.97 |
| 32 | 146.7 | 5.78 | 176.7 | 6.96 | G 1 1/2  | 22   | 0.87 | NPT 1 1/2  | 17.3 | 0.68 | Rc 1 1/2  | 19.1 | 0.75 | 85   | 3.35 | 126  | 4.96 | 60   | 2.36 |

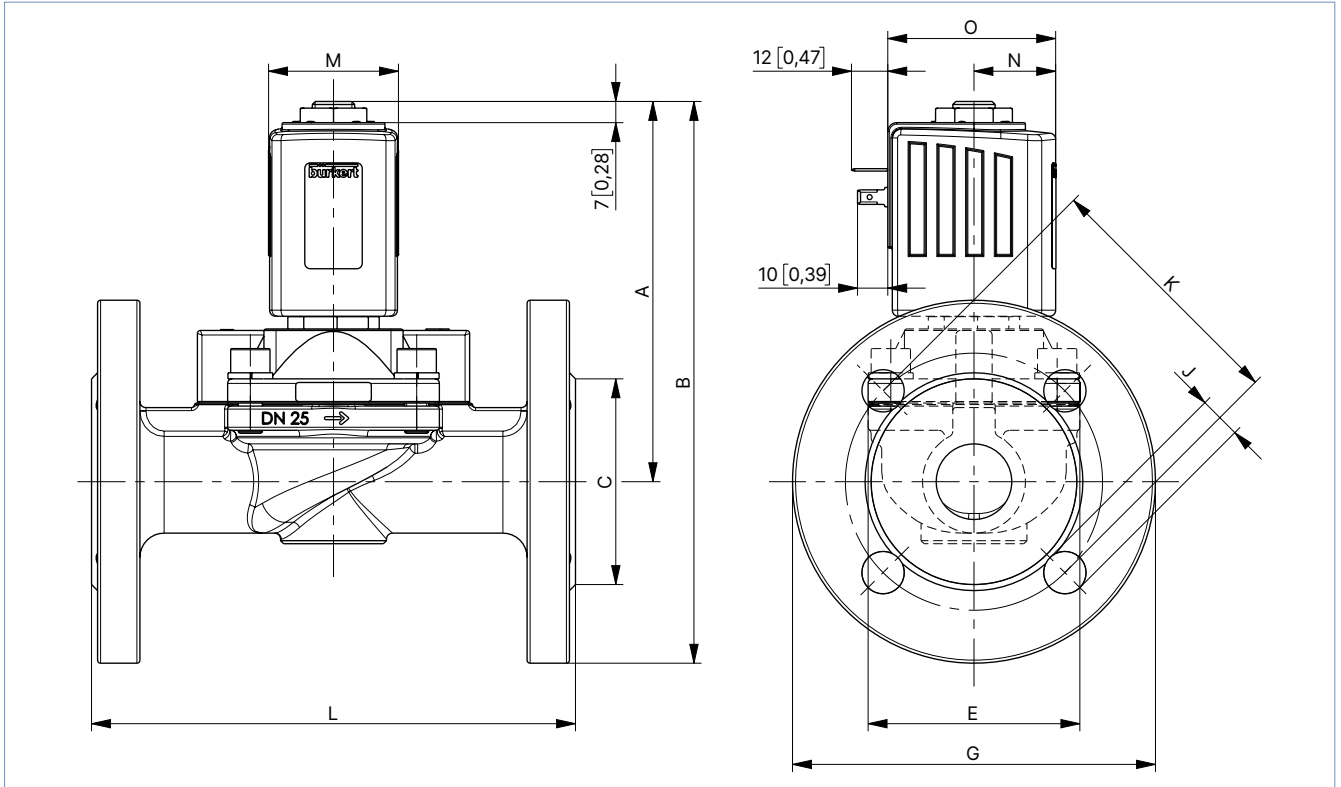
DTS 1000583397 EN Version: C Status: RL (released | freigegeben | valide) printed: 12.03.2025



Flange variant

Note:

Dimensions in mm [inch]



| Coil size | M    |      | N    |      | O    |      |
|-----------|------|------|------|------|------|------|
|           | [mm] | [in] | [mm] | [in] | [mm] | [in] |
| K         | 42   | 1.65 | 27   | 1.06 | 55.5 | 2.19 |
| L         | 65   | 2.56 | 37.5 | 1.48 | 72   | 2.83 |

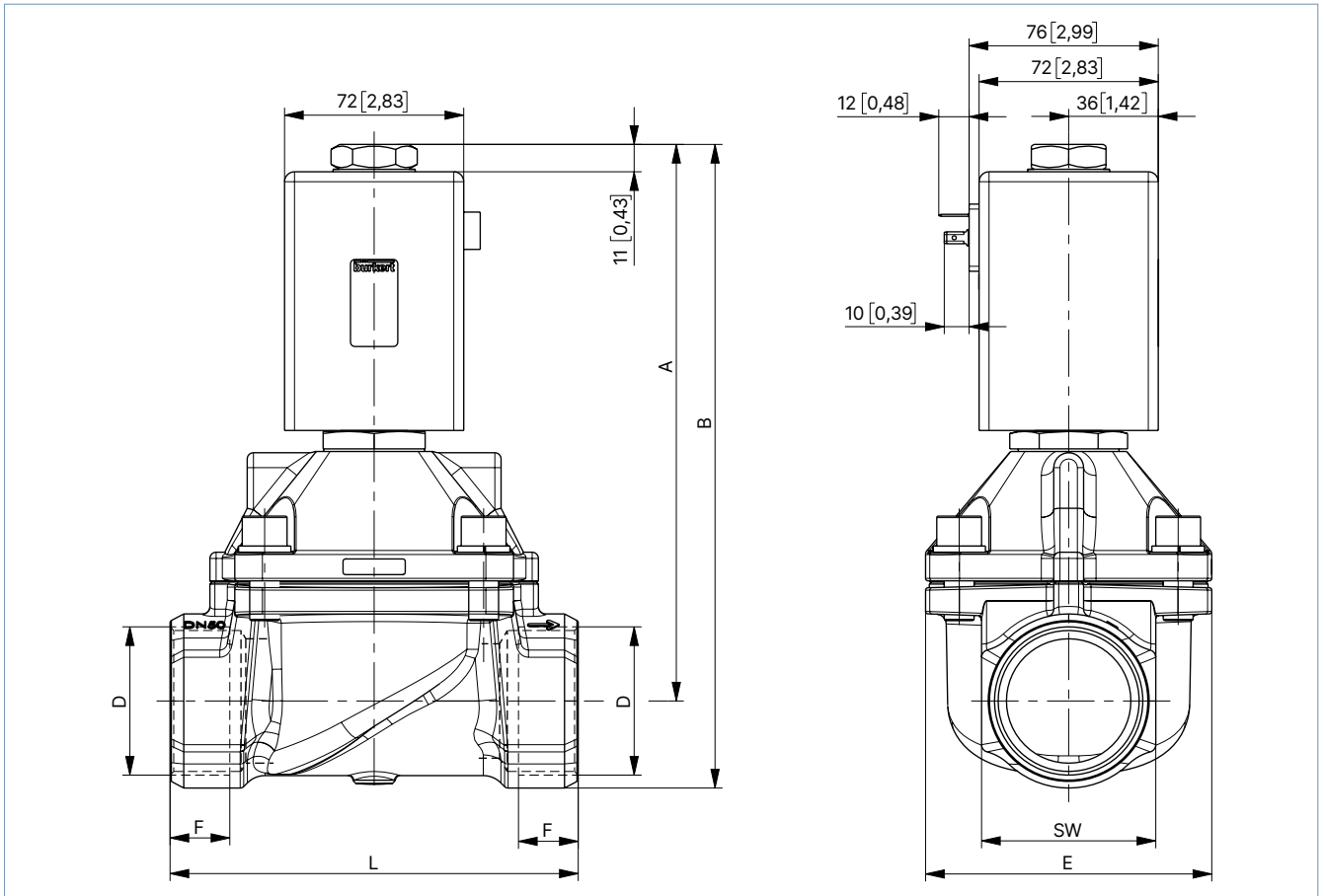
| DN | A     |      | B     |      | C    |      | E    |      | G    |      | L    |      | J    |      | K    |      |
|----|-------|------|-------|------|------|------|------|------|------|------|------|------|------|------|------|------|
|    | [mm]  | [in] | [mm]  | [in] | [mm] | [in] | [mm] | [in] | [mm] | [in] | [mm] | [in] | [mm] | [in] | [mm] | [in] |
| 25 | 129.7 | 5.11 | 189.7 | 7.47 | 68   | 2.68 | 73   | 2.87 | 120  | 4.72 | 160  | 6.30 | 14   | 0.55 | 85   | 3.35 |
| 32 | 142.7 | 5.62 | 212.7 | 8.37 | 78   | 3.07 | 85   | 3.35 | 140  | 5.51 | 180  | 7.09 | 18   | 0.71 | 100  | 3.94 |
| 32 | 146.7 | 5.78 | 221.7 | 8.73 | 88   | 3.46 | 85   | 3.35 | 150  | 5.91 | 200  | 7.87 | 18   | 0.71 | 110  | 4.33 |

5.2. Standard variant DN 50

Threaded variant

Note:

- Dimensions in mm [inch]
- The dimensions D1 and F1 apply to G-threads.
- The dimensions D2 and F2 apply to NPT-threads.
- The dimensions D3 and F3 apply to Rc-threads.



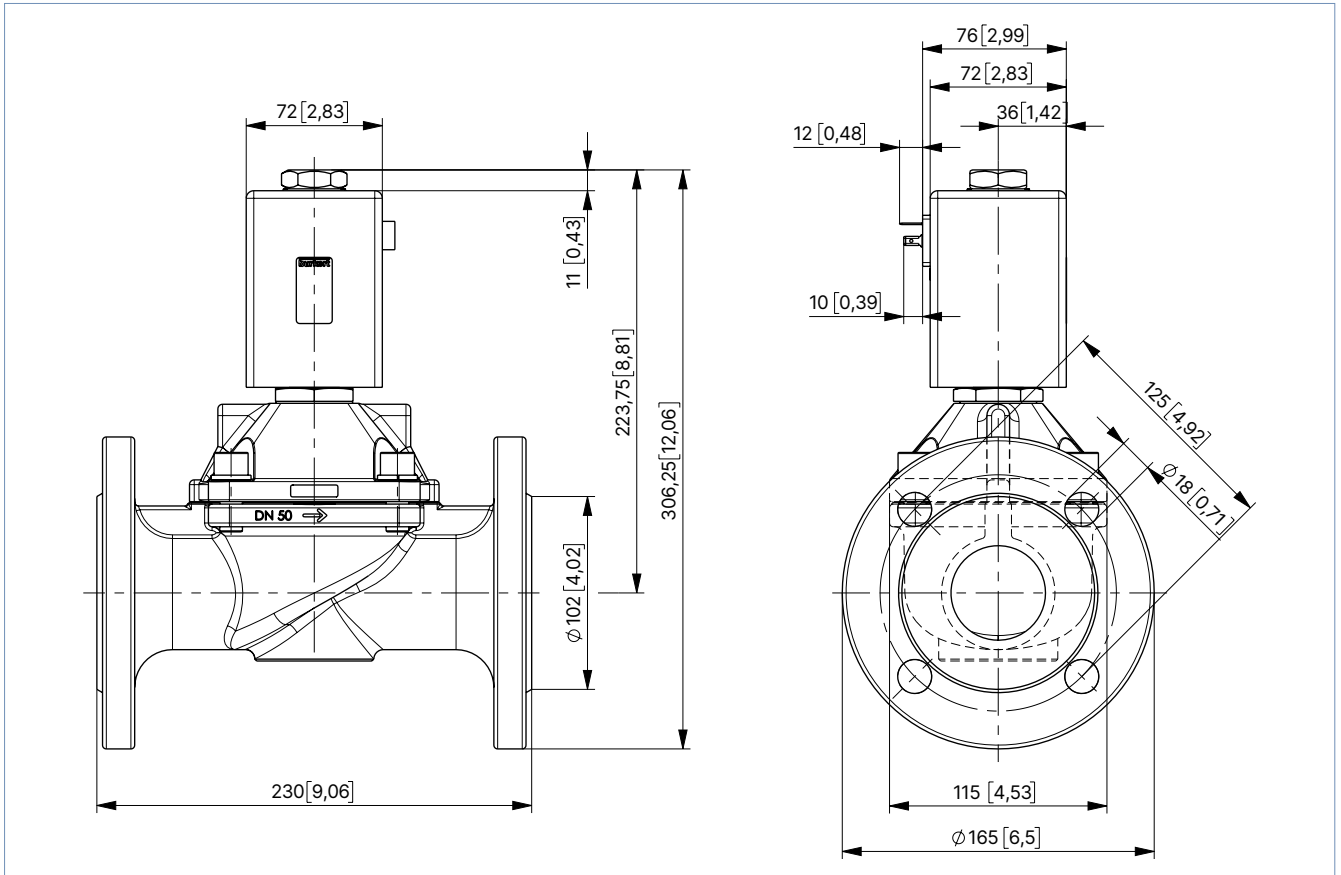
| DN | A     |      | B     |       | G thread |      |      | NPT thread |      |      | Rc thread |      |      | E    |      | L    |      | SW   |      |
|----|-------|------|-------|-------|----------|------|------|------------|------|------|-----------|------|------|------|------|------|------|------|------|
|    | [mm]  | [in] | [mm]  | [in]  | D1       | F1   |      | D2         | F2   |      | D3        | F3   |      | [mm] | [in] | [mm] | [in] | [mm] | [in] |
|    |       |      |       |       | [Zoll]   | [mm] | [in] | [Zoll]     | [mm] | [in] | [Zoll]    | [mm] | [in] |      |      |      |      |      |      |
| 50 | 223.9 | 8.81 | 258.9 | 10.19 | G 2      | 24   | 0.94 | NPT 2      | 17.6 | 0.69 | Rc 2      | 23.4 | 0.92 | 115  | 4.53 | 164  | 6.46 | 70   | 2.76 |
| 50 | 223.6 | 8.80 | 266.1 | 10.48 | G 2½     | 27   | 1.06 | NPT 2½     | 23.6 | 0.93 | -         | -    | -    | 115  | 4.53 | 179  | 7.05 | 85   | 3.35 |

DTS 1000583397 EN Version: C Status: RL (released | freigegeben | valide) printed: 12.03.2025

**Flange variant**

**Note:**

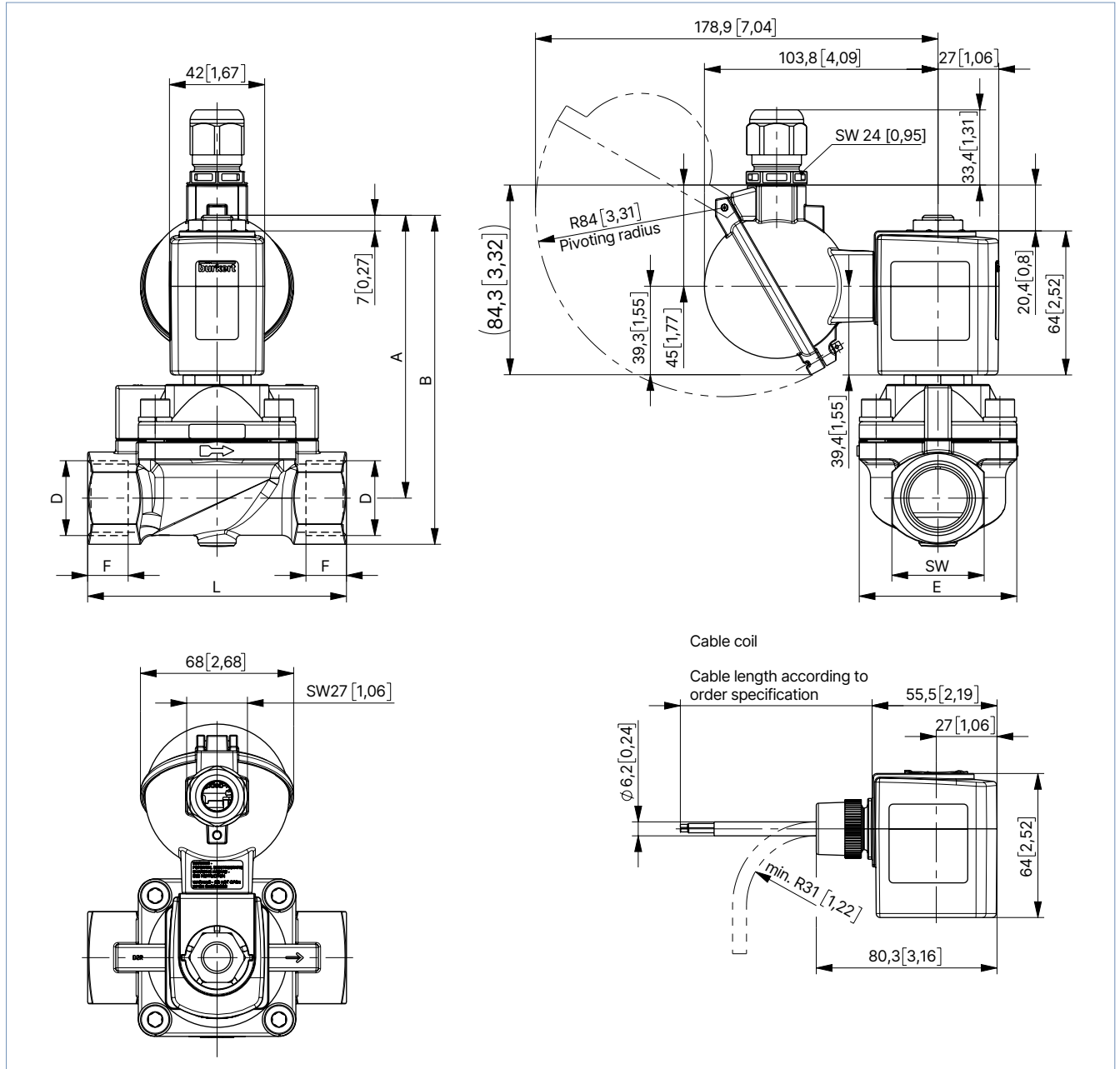
- Dimensions in mm [inch]
- The dimensions D1 and F1 apply to G-threads.
- The dimensions D2 and F2 apply to NPT-threads.
- The dimensions D3 and F3 apply to Rc-threads.



### 5.3. ATEX/IECEx variant

**Note:**

- Dimensions in mm [inch]
- The dimensions D1 and F1 apply to G-threads.
- The dimensions D2 and F2 apply to NPT-threads.
- The dimensions D3 and F3 apply to Rc-threads.



DTS 1000583397 EN Version: C Status: RL (released | freigegeben | valide) printed: 12.03.2025

| DN | A     |      | B     |      | G thread |      |      | NPT thread |      |      | Rc thread |      |      | E    |      | L    |      | SW   |      |
|----|-------|------|-------|------|----------|------|------|------------|------|------|-----------|------|------|------|------|------|------|------|------|
|    | [mm]  | [in] | [mm]  | [in] | D1       | F1   |      | D2         | F2   |      | D3        | F3   | [mm] | [in] | [mm] | [in] | [mm] | [in] |      |
|    |       |      |       |      | [Zoll]   | [mm] | [in] | [Zoll]     | [mm] | [in] | [Zoll]    | [mm] | [in] |      |      |      |      |      |      |
| 13 | 118.7 | 4.67 | 132.7 | 5.22 | -        | -    | -    | -          | -    | -    | Rc 3/8    | 10.1 | 0.40 | 40   | 1.57 | 65   | 2.56 | 27   | 1.06 |
| 13 |       |      |       |      | G 1/2    | 14   | 0.55 | NPT 1/2    | 13.7 | 0.54 | Rc 1/2    | 13.2 | 0.52 |      |      |      |      |      |      |
| 20 | 119.7 | 4.71 | 135.7 | 5.34 | G 3/4    | 16   | 0.63 | NPT 3/4    | 14   | 0.55 | Rc 3/4    | 14.5 | 0.57 | 60   | 2.36 | 100  | 3.94 | 32   | 1.26 |
| 25 | 125.7 | 4.95 | 146.2 | 5.76 | G 1      | 18   | 0.71 | NPT 1      | 16.8 | 0.66 | Rc 1      | 16.8 | 0.66 | 70   | 2.76 | 115  | 4.53 | 41   | 1.61 |

## 6. Performance specifications

### 6.1. Power consumption

**Note:**

The Kick and Drop coil (AC/DC) features integrated electronics for short-term power increase and decrease in double coil technology.

| Orifice      | Coil size | AC           |               |     | DC               |                  | Kick and Drop coil (AC/DC)    |                                |                                | AC with external rectifier |
|--------------|-----------|--------------|---------------|-----|------------------|------------------|-------------------------------|--------------------------------|--------------------------------|----------------------------|
|              |           | Inrush power | Holding power |     | Cold performance | Warm performance | Cold performance Inrush power | Cold performance Holding power | Warm performance Holding power | Nominal power              |
| [mm]         | [mm]      | [VA]         | [VA]          | [W] | [W]              | [W]              | [W] 500 ms                    | [W]                            | [W]                            | [W]                        |
| 13           | 42        | 140          | 41            | 16  | 21               | 16               | 85                            | 8.5                            | 7                              | –                          |
| 13 ATEX      | 42        | –            | –             | –   | 15               | 12               | –                             | –                              | –                              | –                          |
| 20           | 42        | 150          | 41            | 16  | –                | –                | 85                            | 8.5                            | 7                              | –                          |
| 25           | 42        | 160          | 41            | 16  | –                | –                | 85                            | 8.5                            | 7                              | –                          |
| 32           | 42        | 170          | 41            | 16  | –                | –                | 85                            | 8.5                            | 7                              | –                          |
| 20...25 ATEX | 42        | –            | –             | –   | –                | –                | 44                            | 6.5                            | 5.5                            | –                          |
| 20...32      | 65        | –            | –             | –   | 28               | 21               | –                             | –                              | –                              | –                          |
| 50           | 72        | –            | –             | –   | 39               | 30               | –                             | –                              | –                              | 45                         |

## 7. Product accessories

### 7.1. Special tool to turn the terminal box

**Note:**

Detailed ordering information can be found in chapter “Special tool to turn the terminal box” on page 19.

## 8. Ordering information

### 8.1. Bürkert eShop

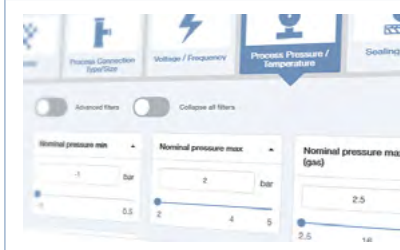


#### Bürkert eShop – Easy ordering and quick delivery

You want to find your desired Bürkert product or spare part quickly and order directly? Our online shop is available for you 24/7. Sign up and enjoy all the benefits.

[Order online now](#)

### 8.2. Bürkert product filter



#### Bürkert product filter – Get quickly to the right product

You want to select products comfortably based on your technical requirements? Use the Bürkert product filter and find suitable articles for your application quickly and easily.

[Try out our product filter](#)

DTS 1000583397 EN Version: C Status: RL (released | freigegeben | validé) printed: 12.03.2025

### 8.3. Bürkert Product Enquiry Form

#### Bürkert Product Enquiry Form – Your enquiry quickly and compactly

Would you like to make a specific product enquiry based on your technical requirements? Use our Product Enquiry Form for this purpose. There you will find all the relevant information for your Bürkert contact. This will enable us to provide you with the best possible advice.

[Fill out the form now](#)

### 8.4. Ordering chart standard variant DN 13...DN 32

#### UL Recognized with coil UL Recognized (cURus)

**Note:**

Please note that the cable plug **Type 2518** ▶ is included. Further variants are available on request. For more information on the cable plug, see **“Cable plug Type 2518, form A according to DIN EN 175301 - 803” on page 18.**

| Circuit function  | Port connection | Orifice<br>[mm] | C <sub>v</sub> value<br>water<br>[gal/min] | Pressure<br>range<br>(MAWP <sup>1)</sup><br>[psi] | Max. medium<br>temperature<br>[°F] | Coil<br>size<br>[inch] | Article no.      |                                |                                 |                                 |
|---|-----------------|-----------------|--|---|------------------------------------|------------------------|------------------|--------------------------------|---------------------------------|---------------------------------|
|   |                 |                 |  |   |                                    |                        | 024/DC<br>[V/Hz] | 024/50...60<br>or DC<br>[V/Hz] | 110...120/<br>50...60<br>[V/Hz] | 230...240/<br>50...60<br>[V/Hz] |
| <b>Brass body, seal material PTFE/graphite</b>                                      |                 |                 |  |   |                                    |                        |                  |                                |                                 |                                 |
| <b>CF A</b><br>2/2-way<br>solenoid valve<br>Servo-controlled<br>Normally closed<br> | NPT 1/2         | 13              | 4.28                                       | 0...145   | 302                                | 1.65                   | 348888 ☞         | 348883 ☞                       | 348893 ☞                        | 348898 ☞                        |
|   | NPT 3/4         | 20              | 6.47                                       | 0...145   | 302                                | 1.65                   | –                | 348884 ☞                       | 348894 ☞                        | 348900 ☞                        |
|   |                 |                 |  |   |                                    | 2.56                   | 348889 ☞         | –                              | –                               | –                               |
|   | NPT 1           | 25              | 11.56                                      | 0...145   | 302                                | 1.65                   | –                | 348885 ☞                       | 348895 ☞                        | 348901 ☞                        |
|   |                 |                 |  |   |                                    | 2.56                   | 348890 ☞         | –                              | –                               | –                               |
|   | NPT 1 1/4       | 32              | 18.50                                      | 0...145   | 302                                | 1.65                   | –                | 348886 ☞                       | 348896 ☞                        | 348902 ☞                        |
|   |                 |                 |  |   |                                    | 2.56                   | 348891 ☞         | –                              | –                               | –                               |
|   | NPT 1 1/2       | 32              | 18.50                                      | 0...145   | 302                                | 1.65                   | –                | 348887 ☞                       | 348897 ☞                        | 348903 ☞                        |
|   |                 |                 |  |   |                                    | 2.56                   | 348892 ☞         | –                              | –                               | –                               |

– = not available  
 1.) Maximum allowable working pressure

#### UL Listed with coil UL Recognized (cULus)

**Note:**

Please note that the cable plug **Type 2509** ▶ is included. Further variants are available on request. For more information on the cable plug, see **“Cable plug Type 2509, form A according to DIN EN 175301 - 803” on page 18.**

| Circuit function  | Port connection | Orifice<br>[mm] | C <sub>v</sub> value<br>water<br>[gal/min] | Pressure<br>range<br>(MAWP <sup>1)</sup><br>[psi] | Max. medium<br>temperature<br>[°F] | Coil<br>size<br>[inch] | Article no.      |                                |                                 |                                 |
|---|-----------------|-----------------|--|---|------------------------------------|------------------------|------------------|--------------------------------|---------------------------------|---------------------------------|
|   |                 |                 |  |   |                                    |                        | 024/DC<br>[V/Hz] | 024/50...60<br>or DC<br>[V/Hz] | 110...120/<br>50...60<br>[V/Hz] | 230...240/<br>50...60<br>[V/Hz] |
| <b>Brass body, seal material PTFE/graphite</b>                                      |                 |                 |  |   |                                    |                        |                  |                                |                                 |                                 |
| <b>CF A</b><br>2/2-way<br>solenoid valve<br>Servo-controlled<br>Normally closed<br> | NPT 1/2         | 13              | 4.28                                       | 0...145   | 302                                | 1.65                   | o. r.            | o. r.                          | o. r.                           | o. r.                           |
|   | NPT 3/4         | 20              | 6.47                                       | 0...145   | 302                                | 1.65                   | –                | o. r.                          | o. r.                           | o. r.                           |
|   |                 |                 |  |   |                                    | 2.56                   | o. r.            | –                              | –                               | –                               |
|   | NPT 1           | 25              | 11.56                                      | 0...145   | 302                                | 1.65                   | –                | o. r.                          | o. r.                           | o. r.                           |
|   |                 |                 |  |   |                                    | 2.56                   | o. r.            | –                              | –                               | –                               |
|   | NPT 1 1/4       | 32              | 18.50                                      | 0...145   | 302                                | 1.65                   | –                | o. r.                          | o. r.                           | o. r.                           |
|   |                 |                 |  |   |                                    | 2.56                   | o. r.            | –                              | –                               | –                               |
|   | NPT 1 1/2       | 32              | 18.50                                      | 0...145   | 302                                | 1.65                   | –                | o. r.                          | o. r.                           | o. r.                           |
|   |                 |                 |  |   |                                    | 2.56                   | o. r.            | –                              | –                               | –                               |

– = not available  
 o. r. = on request  
 1.) Maximum allowable working pressure

DTS 1000583397 EN Version: C Status: RL (released | freigegeben | valide) printed: 12.03.2025

### 8.5. Ordering chart steam variant with valve seat in stainless steel DN 13...DN 32

#### UL Recognized with coil UL Recognized (cURus)

**Note:**

- Please note that the cable plug **Type 2518** ▶ is included. Further variants are available on request. For more information on the cable plug, see **"Cable plug Type 2518, form A according to DIN EN 175301 - 803" on page 18.**
- Due to the temperature range, the cable plug with silicone seal is provided for steam variants.

| Circuit function   | Port connection | Orifice | C <sub>v</sub> value water | Pressure range (MAWP <sup>1)</sup> ) | Max. medium temperature | Coil size | Article no. |                   |                   |                   |
|--|-----------------|---------|----------------------------|--------------------------------------|-------------------------|-----------|-------------|-------------------|-------------------|-------------------|
|  |                 |         |                            |                                      |                         |           | 024/DC      | 024/50...60 or DC | 110...120/50...60 | 230...240/50...60 |
|  |                 |         |                            |                                      |                         |           | [mm]        | [gal/min]         | [psi]             | [°F]              |
| <b>Brass body, seal material PTFE/graphite</b>                                   |                 |         |                            |                                      |                         |           |             |                   |                   |                   |
| <b>CF A</b><br>2/2-way solenoid valve<br>Servo-controlled<br>Normally closed<br> | NPT 1/2         | 13      | 4.28                       | 0...145                              | 302                     | 1.65      | 348867      | 348862            | 348872            | 348878            |
|  | NPT 3/4         | 20      | 6.47                       | 0...145                              | 302                     | 1.65      | –           | 348863            | 348874            | 348879            |
|  |                 |         |                            |                                      |                         | 2.56      | 348868      | –                 | –                 | –                 |
|  | NPT 1           | 25      | 11.56                      | 0...145                              | 302                     | 1.65      | –           | 348864            | 348875            | 348880            |
|  |                 |         |                            |                                      |                         | 2.56      | 348869      | –                 | –                 | –                 |
|  | NPT 1¼          | 32      | 18.50                      | 0...145                              | 302                     | 1.65      | –           | 348865            | 348876            | 348881            |
|  |                 |         |                            |                                      |                         | 2.56      | 348870      | –                 | –                 | –                 |
|  | NPT 1½          | 32      | 18.50                      | 0...145                              | 302                     | 1.65      | –           | 348866            | 348877            | 348882            |
|  |                 |         |                            |                                      |                         | 2.56      | 348871      | –                 | –                 | –                 |

– = not available  
 1.) Maximum allowable working pressure

#### UL Listed with coil UL Recognized (cULus)

**Note:**

- Please note that the cable plug **Type 2509** ▶ is included. Further variants are available on request. For more information on the cable plug, see **"Cable plug Type 2509, form A according to DIN EN 175301 - 803" on page 18.**
- Due to the temperature range, the cable plug with silicone seal is provided for steam variants.

| Circuit function   | Port connection | Orifice | C <sub>v</sub> value water | Pressure range (MAWP <sup>1)</sup> ) | Max. medium temperature | Coil size | Article no. |                   |                   |                   |
|--|-----------------|---------|----------------------------|--------------------------------------|-------------------------|-----------|-------------|-------------------|-------------------|-------------------|
|  |                 |         |                            |                                      |                         |           | 024/DC      | 024/50...60 or DC | 110...120/50...60 | 230...240/50...60 |
|  |                 |         |                            |                                      |                         |           | [mm]        | [gal/min]         | [psi]             | [°F]              |
| <b>Brass body, seal material PTFE/graphite</b>                                   |                 |         |                            |                                      |                         |           |             |                   |                   |                   |
| <b>CF A</b><br>2/2-way solenoid valve<br>Servo-controlled<br>Normally closed<br> | NPT 1/2         | 13      | 4.28                       | 0...145                              | 302                     | 1.65      | o. r.       | o. r.             | o. r.             | o. r.             |
|  | NPT 3/4         | 20      | 6.47                       | 0...145                              | 302                     | 1.65      | –           | o. r.             | o. r.             | o. r.             |
|  |                 |         |                            |                                      |                         | 2.56      | o. r.       | –                 | –                 | –                 |
|  | NPT 1           | 25      | 11.56                      | 0...145                              | 302                     | 1.65      | –           | o. r.             | o. r.             | o. r.             |
|  |                 |         |                            |                                      |                         | 2.56      | o. r.       | –                 | –                 | –                 |
|  | NPT 1¼          | 32      | 18.50                      | 0...145                              | 302                     | 1.65      | –           | o. r.             | o. r.             | o. r.             |
|  |                 |         |                            |                                      |                         | 2.56      | o. r.       | –                 | –                 | –                 |
|  | NPT 1½          | 32      | 18.50                      | 0...145                              | 302                     | 1.65      | –           | o. r.             | o. r.             | o. r.             |
|  |                 |         |                            |                                      |                         | 2.56      | o. r.       | –                 | –                 | –                 |

o. r. = on request  
 – = not available  
 1.) Maximum allowable working pressure

DTS 1000583397 EN Version: C Status: RL (released | freigegeben | validé) printed: 12.03.2025

### 8.6. Ordering chart steam variant with flange connection DN 25 and DN 32

#### Coil UL recognized (cURus)

**Note:**

- Please note that the cable plug **Type 2518** ▶ is included. Further variants are available on request. For more information on the cable plug, see **"Cable plug Type 2518, form A according to DIN EN 175301 - 803" on page 18.**
- Due to the temperature range, the cable plug with silicone seal is provided for steam variants.

| Circuit function   | Port connection                         | Orifice | C <sub>v</sub> value water | Pressure range (MAWP <sup>1)</sup> ) | Max. medium temperature | Coil size | Article no. |                   |                   |                   |
|--|---|---------|----------------------------|--------------------------------------|-------------------------|-----------|-------------|-------------------|-------------------|-------------------|
|  |   |         |                            |                                      |                         |           | 024/DC      | 024/50...60 or DC | 110...120/50...60 | 230...240/50...60 |
|  |   |         |                            |                                      |                         |           | [V/Hz]      | [V/Hz]            | [V/Hz]            | [V/Hz]            |
| [mm]   | [gal/min]                               | [psi]   | [°F]                       | [inch]                               |                         |           |             |                   |                   |                   |
| <b>Stainless steel/brass body, seal material PTFE/graphite</b>                   |   |         |                            |                                      |                         |           |             |                   |                   |                   |
| <b>CF A</b><br>2/2-way solenoid valve<br>Servo-controlled<br>Normally closed<br> | Flange acc. to DIN EN 1092 - 1          | 25      | 11.56                      | 0...145                              | 302                     | 1.65      | -           | o. r.             | o. r.             | o. r.             |
|  |   |         |                            |                                      |                         | 2.56      | o. r.       | -                 | -                 | -                 |
|  | Flange acc. to DIN EN 1092 - 1          | 32      | 18.50                      | 0...145                              | 302                     | 1.65      | -           | o. r.             | o. r.             | o. r.             |
|  |   |         |                            |                                      |                         | 2.56      | o. r.       | -                 | -                 | -                 |
|  | Flange acc. to DIN EN 1092 - 1<br>DN 40 | 32      | 18.50                      | 0...145                              | 302                     | 1.65      | -           | o. r.             | o. r.             | o. r.             |
|  |   |         |                            |                                      |                         | 2.56      | o. r.       | -                 | -                 | -                 |

- = not available  
 o. r. = on request  
 1.) Maximum allowable working pressure

### 8.7. Ordering chart standard variant DN 50

**Note:**

- Please note that the cable plug **Type 2518** ▶ is included. Further variants are available on request. For more information on the cable plug, see **"Cable plug Type 2518, form A according to DIN EN 175301 - 803" on page 18.**
- For AC voltage variants a cable plug with rectifier is included in the scope of delivery.

| Circuit function   | Port connection | Orifice | C <sub>v</sub> value water | Pressure range (MAWP <sup>1)</sup> ) | Max. medium temperature | Coil size | Article no. |                   |
|--|-----------------|---------|----------------------------|--------------------------------------|-------------------------|-----------|-------------|-------------------|
|  |                 |         |                            |                                      |                         |           | 024/DC      | 120/50...60 or DC |
|  |                 |         |                            |                                      |                         |           | [V/Hz]      | [V/Hz]            |
| [mm]   | [gal/min]       | [psi]   | [°F]                       | [inch]                               |                         |           |             |                   |
| <b>Stainless steel/brass body, seal material PTFE/graphite</b>                   |                 |         |                            |                                      |                         |           |             |                   |
| <b>CF A</b><br>2/2-way solenoid valve<br>Servo-controlled<br>Normally closed<br> | NPT 2           | 50      | 41.62                      | 0...145                              | 302                     | 2.83      | o. r.       | o. r.             |
|  |                 |         |                            |                                      |                         |           |             |                   |

o. r. = on request  
 1.) Maximum allowable working pressure

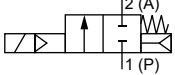
DTS 1000583397 EN Version: C Status: RL (released | freigegeben | valide) printed: 12.03.2025



**Steam variant with valve seat in stainless steel DN 50**

**Note:**

- Please note that the cable plug **Type 2518** ▶ is included. Further variants are available on request. For more information on the cable plug, see **"Cable plug Type 2518, form A according to DIN EN 175301-803"** on page 18.
- For AC voltage variants a cable plug with rectifier is included in the scope of delivery.

| Circuit function  | Port connection              | Orifice | C <sub>v</sub> value water | Pressure range (MAWP <sup>1)</sup> ) | Max. medium temperature | Coil size | Article no. |                   |
|---|------------------------------|---------|----------------------------|--------------------------------------|-------------------------|-----------|-------------|-------------------|
|   |                              |         |                            |                                      |                         |           | 024/DC      | 120/50...60 or DC |
|   |                              |         |                            |                                      |                         |           | [V/Hz]      | [V/Hz]            |
| <b>Stainless steel/brass body, seal material PTFE/graphite</b>  |                              |         |                            |                                      |                         |           |             |                   |
| <b>CF A</b><br>2/2-way solenoid valve<br>Servo-controlled<br>Normally closed<br> | NPT 2                        | 50      | 41.62                      | 0...145                              | 302                     | 2.83      | 467932 𐀀    | o. r.             |
|   | Flange acc. to DIN EN 1092-1 | 50      | 41.62                      | 0...145                              | 302                     | 2.83      | 363051 𐀀    | o. r.             |

o. r. = on request

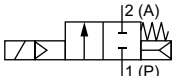
1.) Maximum allowable working pressure

**8.8. Ordering chart explosion proof variant DN 13...DN 25**

**Coil UL Listed (cULus) for hazardous locations, Class 1, Division 2 cable variant**

**Note:**

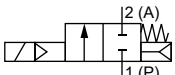
With 3 m/9'10" cable as standard. Other lengths on request.

| Circuit function  | Port connection | Orifice | C <sub>v</sub> value water | Pressure range (MAWP <sup>1)</sup> ) | Max. medium temperature | Coil size | Article no.       |        |
|---|-----------------|---------|----------------------------|--------------------------------------|-------------------------|-----------|-------------------|--------|
|   |                 |         |                            |                                      |                         |           | 024/50...60 or DC | 120/60 |
|   |                 |         |                            |                                      |                         |           | [V/Hz]            | [V/Hz] |
| <b>Brass body, seal material PTFE/FKM</b>   |                 |         |                            |                                      |                         |           |                   |        |
| <b>CF A</b><br>2/2-way solenoid valve<br>Servo-controlled<br>Normally closed<br> | NPT 1/2         | 13      | 4.28                       | 0...145                              | 194                     | 1.65      | o. r.             | o. r.  |
|   | NPT 3/4         | 20      | 6.47                       | 0...145                              | 194                     | 1.65      | o. r.             | o. r.  |
|   | NPT 1           | 25      | 11.56                      | 0...145                              | 194                     | 1.65      | o. r.             | o. r.  |

o. r. = on request

1.) Maximum allowable working pressure

**Coil UL Listed (cULus) for hazardous locations, Class 1, Division 2 terminal box variant**

| Circuit function  | Port connection | Orifice | C <sub>v</sub> value water | Pressure range (MAWP <sup>1)</sup> ) | Max. medium temperature | Coil size | Article no.       |        |
|---|-----------------|---------|----------------------------|--------------------------------------|-------------------------|-----------|-------------------|--------|
|   |                 |         |                            |                                      |                         |           | 024/50...60 or DC | 120/60 |
|   |                 |         |                            |                                      |                         |           | [V/Hz]            | [V/Hz] |
| <b>Brass body, seal material PTFE/FKM</b>   |                 |         |                            |                                      |                         |           |                   |        |
| <b>CF A</b><br>2/2-way solenoid valve<br>Servo-controlled<br>Normally closed<br> | NPT 1/2         | 13      | 4.28                       | 0...145                              | 194                     | 1.65      | o. r.             | o. r.  |
|   | NPT 3/4         | 20      | 6.47                       | 0...145                              | 194                     | 1.65      | o. r.             | o. r.  |
|   | NPT 1           | 25      | 11.56                      | 0...145                              | 194                     | 1.65      | o. r.             | o. r.  |

o. r. = on request

1.) Maximum allowable working pressure

DTS 1000583397 EN Version: C Status: RL (released | freigegeben | valide) printed: 12.03.2025

| Further variants on request |   |  |                             |
|-----------------------------|---|--|-----------------------------|
|                             | <b>Approval</b>   |  | <b>Voltage</b>              |
|                             | <ul style="list-style-type: none"> <li>UL Listed</li> <li>UL Recognized</li> <li>UL Listed for Hazardous Locations for USA and Canada</li> <li>ATEX/IECEx: Ex II 2G / Ex mb IIC T4 GB<br/>Ex II 2D / Ex mb IIIC T130 °C DB</li> </ul> |  | Further voltages on request |
|                             | <b>Process connection</b>   |  | <b>Temperature</b>          |
|                             | <ul style="list-style-type: none"> <li>G</li> <li>RC</li> </ul>   |  | Special temperature ranges  |

### 8.9. Ordering chart accessories

#### Cable plug Type 2518, form A according to DIN EN 175301 - 803

**Note:**

- Dimensions in mm
- For further variants see data sheet **Type 2518** ▶

| Cable plug | Dimensions | Variant                          | Voltage         | Article no. |
|------------|------------|----------------------------------|-----------------|-------------|
|            |            | Without circuitry (AC/DC)        | 0...250 V AC/DC | 314802      |
|            |            | With LED (AC/DC)                 | 12...24 V AC/DC | 314812      |
|            |            | With LED and varistor (AC/DC)    | 12...24 V AC/DC | 314820      |
|            |            | With rectifier, LED and varistor | 12...24 V AC/DC | 314816      |

#### Cable plug Type 2509, form A according to DIN EN 175301 - 803

**Note:**

- Dimensions in mm
- Without circuitry (standard)
- The cable plug meets the requirements for UL hazloc Div. 2.
- The cable plug Type 2509 meets the requirements in accordance with UL Listed (UL 429) in assembly with a Bürkert solenoid valve.
- Refer to data sheet **Type 2509** ▶ for more information about the cable plug.

| Cable plug | Dimensions | Variant           | Voltage         | Article no. |
|------------|------------|-------------------|-----------------|-------------|
|            |            | Without circuitry | 0...250 V AC/DC | 137943      |

DTS 1000583397 EN Version: C Status: RL (released | freigegeben | validé) printed: 12.03.2025

**Special tool to turn the terminal box**

**Note:**

This special tool is not supplied with the valve.

| Description  | Components of the set  | Article no.  |
|--|--|--|
| Set SC02-AC10<br> | <ul style="list-style-type: none"> <li>• Special wrench</li> <li>• Service manual</li> </ul> | 293488  |