



2/2 or 3/2 way Rocker-Solenoid Valve with separating diaphragm

- With isolating diaphragm
- Compact design with 16 mm width and Cv ratings up to 0.058
- Flexible design for custom manifold assemblies
- High back pressure tightness, excellent cleanability and 100 % duty cycle
- Normally closed, normally open and universal function

Product variants described in the data sheet may differ from the product presentation and description.

Can be combined with



Type 2516

Cable plug, form C according to DIN EN 175301-803



Type 2505

10 mm socket for Bürkert small solenoid valves



Type description

The direct-acting rocker solenoid valve, Type 6126, is suitable for general applications in which compressed air, gases or slightly contaminated liquids are to be switched. The medium is in contact exclusively with the housing material and the FKM seals. The heat input in the medium is minimal, because the housing is separated from the coil by a stainless steel plate. The valves can be mounted directly or also single or manifold mounted. They are used for dosing, filling, mixing and distributing small quantities of medium.

Table of contents

1. General technical data	3
1.1. General data	3
1.2. Medium pressure	4
1.3. Medium temperature	4
1.4. Internal volume	4
2. Circuit functions	5
3. Approvals and conformities	5
3.1. General notes	5
3.2. Conformity	5
3.3. Standards	5
3.4. Foods and beverages/Hygiene	5
4. Materials	6
4.1. Bürkert resistApp	6
4.2. Material specifications	6
5. Dimensions	7
5.1. Sub-base version with rectangular plug Type 2505	7
5.2. Sub-base version with cable plug on top Type 2516	7
5.3. Sub-base version with cable plug lateral Type 2516	8
5.4. Sub-base version with flying leads	8
5.5. Bürkert sub-base interface, 3-way standard	9
5.6. Bürkert sub-base interface, 2-way standard	9
5.7. Bürkert sub-base interface, 2-way (low dead volume)	9
6. Ordering information	10
6.1. Bürkert eShop	10
6.2. Bürkert product filter	10
6.3. Bürkert Product Enquiry Form	10
6.4. Ordering chart	10
6.5. Ordering chart accessories	11
Rectangular cable plug Type 2505	11
Cable plug Type 2516, form C according to DIN EN 175301 - 803	12
Multiple manifolds for Bürkert sub-base interface, 2-way	13
Multiple manifolds for Bürkert sub-base interface, 3-way	14
Single manifolds for Bürkert sub-base interface, 3-way	15

1. General technical data

1.1. General data

Product properties	
Dimensions	Further information can be found in chapter "5. Dimensions" on page 7.
Material	
Seal	FKM, EPDM
Fluidic housing	PPS
Internal volume	Sub-base: starting at 44 µl < 10 µl available on request Further information can be found in chapter "1.4. Internal volume" on page 4.
Orifice	DN 0.8...DN 1.6
Circuit function	A, B and T Further information can be found in chapter "2. Circuit functions" on page 5.
Performance data	
Switching time ¹⁾	Open: approx. 25 ms (pressure build-up 0...10 %) Closing: approx. 25 ms (pressure reduction 100...90 %)
Electrical data	
Operating voltage	12/24 V DC (other voltages on request)
Duty cycle	100 % continuous operation Manifold mounting: If medium or ambient temperatures are above + 40 °C: intermittent operation 40 % (minimum 10 min)
Nominal power	3.4 W
Voltage tolerance	± 10 %
Medium data	
Operating medium	Resistant to neutral and aggressive liquids and gases (see chapter "4.1. Bürkert resistApp" on page 6)
Medium temperature	Max. - 10 °C...+ 55 °C Further information can be found in chapter "1.3. Medium temperature" on page 4.
Viscosity	Max. 21 mm ² /s
Process/Port connection & communication	
Electrical connection ²⁾	Plug contacts according to DIN EN 175301 - 803 form C for cable plug Type 2516 ▶ top/lateral Two FEP-leads 0.2 mm ² (AWG24), length 500 mm Rectangular cable plug Type 2505 ▶
Port connection	Bürkert sub-base (16 × 27 mm)
Approvals and conformities	
Degree of protection	IP65 with flying leads or cable plug Type 2516 ▶ IP30 with rectangular cable plug Type 2505 ▶
Foods and beverages/Hygiene	FDA (on request only with seal material EPDM) Further information can be found in chapter "3.4. Foods and beverages/Hygiene" on page 5.
Environment and installation	
Installation	As required, preferably with actuator upright
Ambient temperature	Max. + 55 °C

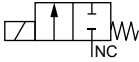
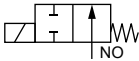
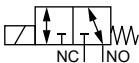
1.) Measurement at + 20 °C, 2 bar at the valve outlet according to DIN ISO 12238:2001

2.) Other electric connectors and other cable lengths are available on request.

1.2. Medium pressure

Note:

- Deviating pressure ranges are possible on request.
- For low dead volume versions, the back pressure is limited to a maximum of 1 bar.

Circuit functions	Orifice	Port connection	Max. differential pressure
	[mm]		[bar] ¹⁾
CF A 2/2-way solenoid valve Direct-acting Normally closed 	0.8	Sub-base	0...6
	1.2	Sub-base	0...5
	1.6	Sub-base	0...3
CF B 2/2-way solenoid valve Direct-acting Normally open 	0.8	Sub-base	0...6
	1.2	Sub-base	0...5
	1.6	Sub-base	0...3
CF T 3/2-way solenoid valve Direct-acting Flow direction optional Universal 	0.8	Sub-base	0...6
	1.2	Sub-base	0...5
	1.6	Sub-base	0...3

1.) Pressure data: overpressure to atmospheric pressure

1.3. Medium temperature

Note:

The permissible medium temperature depends on the seal material and orifice.

Description	Orifice	Seal material	Temperature range
Medium temperature	DN 0.8	FKM	0...+ 50 °C
	DN 0.8	EPDM	- 5...+ 50 °C
	DN 1.2 and 1.6	FKM	+ 5...+ 50 °C
	DN 1.2 and 1.6	EPDM	0...+ 50 °C
Medium temperature with limitation on switching time and life expectancy	DN 0.8	FKM	- 5...+ 55 °C
	DN 0.8	EPDM	- 10...+ 50 °C
	DN 1.2 and 1.6 ¹⁾	FKM	0...+ 55 °C
	DN 1.2 and 1.6	EPDM	- 5...+ 50 °C

1.) The orifice sizes are available up to - 15 °C on request.

1.4. Internal volume

Note:

The internal volume is depending on fluidic housing.

Body	2-way (low dead volume)		2-way		3-way	
	Fluid chamber	Total	Fluid chamber	Total	Fluid chamber	Total
Sub-base	44 µl	54 µl	97 µl	106 µl	90 µl	106 µl

2. Circuit functions

Symbol	Description
	Circuit function A (CF A) 2/2-way solenoid valve Direct-acting Normally closed
	Circuit function B (CF B) 2/2-way solenoid valve Direct-acting Normally open
	Circuit function T (CF T) 3/2-way solenoid valve Direct-acting Flow direction optional Universal

3. Approvals and conformities

3.1. General notes

- The approvals and conformities listed below must be stated when making enquiries. This is the only way to ensure that the product complies with all required specifications.
- Not all available versions can be supplied with the below mentioned approvals or conformities.

3.2. Conformity

In accordance with the Declaration of Conformity, the product is compliant with the EU Directives.

3.3. Standards

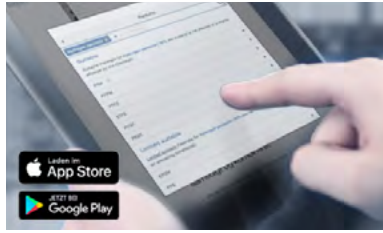
The applied standards which are used to demonstrate compliance with the EU Directives are listed in the EU-Type Examination Certificate and/or the EU Declaration of Conformity.

3.4. Foods and beverages/Hygiene

Conformity	Description
FDA	FDA – Code of Federal Regulations (valid for the variable code PL03) All wetted materials are compliant with the Code of Federal Regulations published by the FDA (Food and Drug Administration, USA) according to the manufacturer's declaration.

4. Materials

4.1. Bürkert resistApp

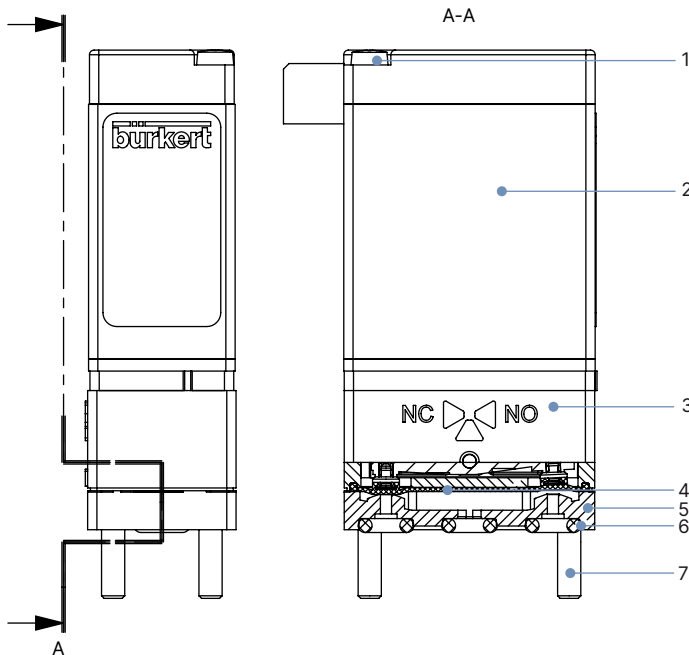


Bürkert resistApp – Chemical resistance chart

You want to ensure the reliability and durability of the materials in your individual application case? Verify your combination of media and materials on our website or in our resistApp.

[Start chemical resistance check](#)

4.2. Material specifications



No.	Element	Material
1	Rounded head screw M2	Stainless steel
2	Coil	Epoxy
3	Actuator housing	PPS
4	Diaphragm ^{1.)}	FKM, EPDM
5	Fluid housing ^{1.)}	PPS
6	Sub-base seal ^{1.)}	FKM, EPDM
7	Rounded head screw M2.5	Stainless steel

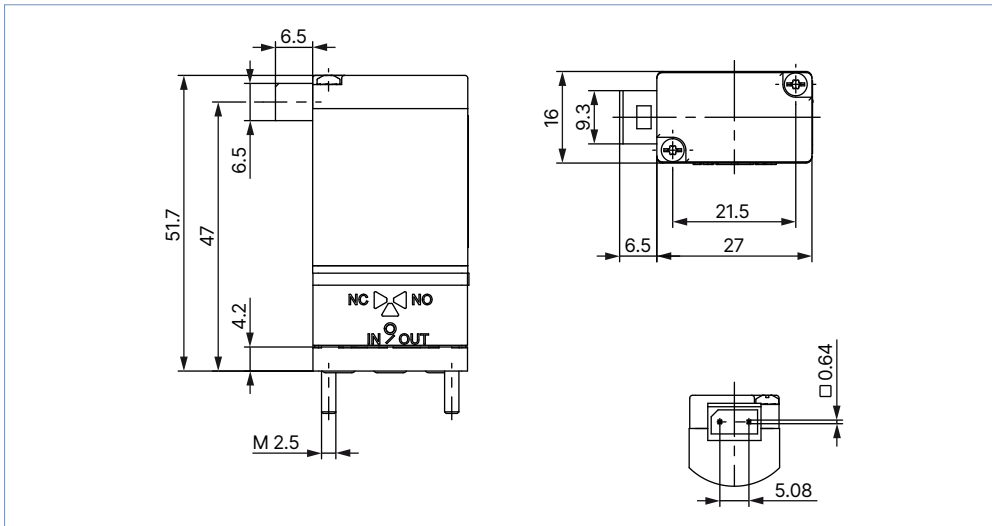
1.) in contact with medium

5. Dimensions

5.1. Sub-base version with rectangular plug Type 2505

Note:

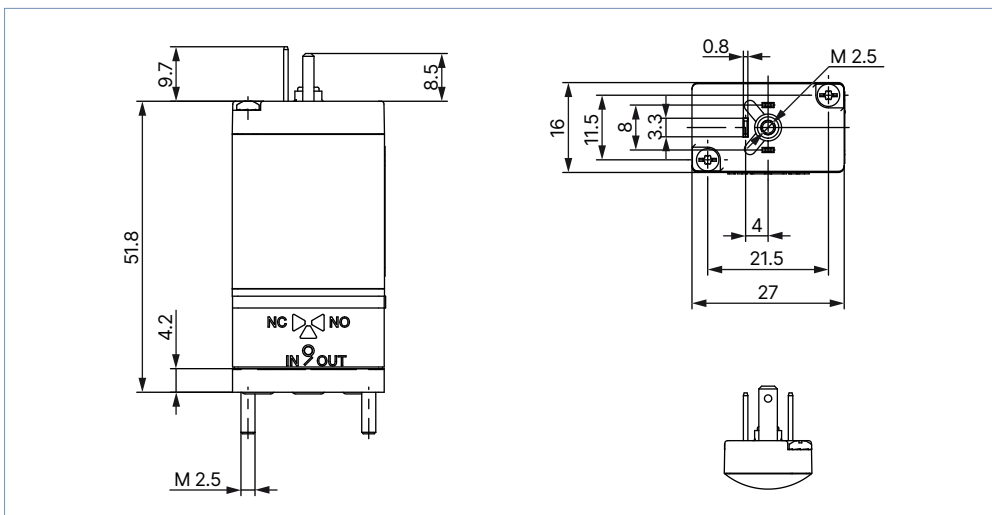
- Dimensions in mm
- Other screw lengths are available on request.
- Self-tapping screws are available on request.



5.2. Sub-base version with cable plug on top Type 2516

Note:

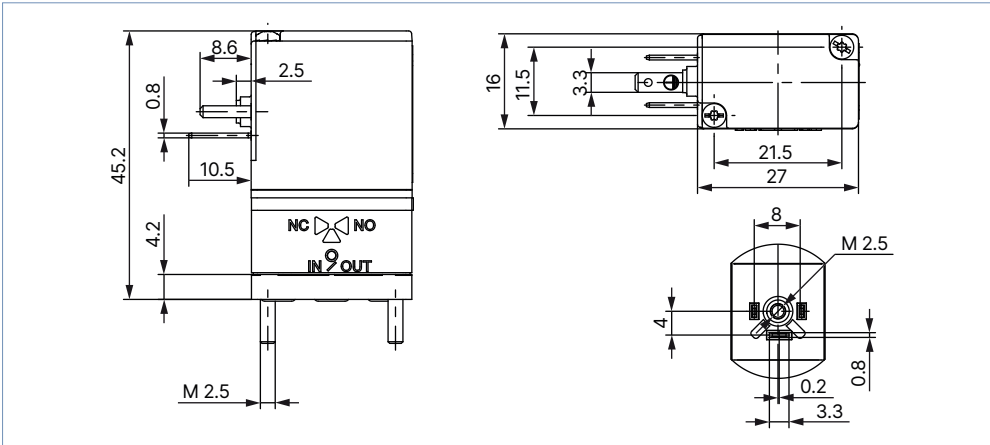
- Dimensions in mm
- Other screw lengths are available on request.
- Self-tapping screws are available on request.



5.3. Sub-base version with cable plug lateral Type 2516

Note:

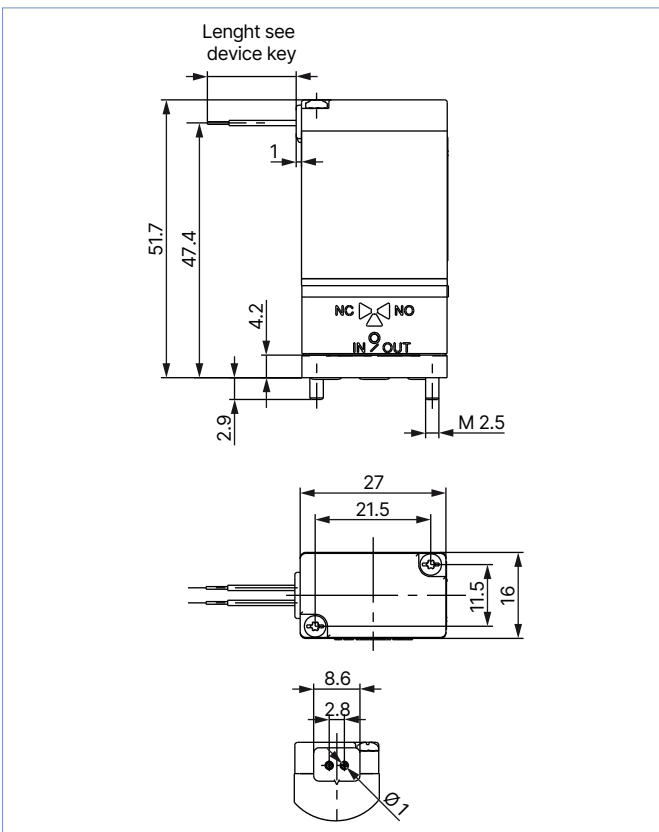
- Dimensions in mm
- Other screw lengths are available on request.
- Self-tapping screws are available on request.



5.4. Sub-base version with flying leads

Note:

- Dimensions in mm
- Other screw lengths are available on request.
- Self-tapping screws are available on request.



Classification of fluid connections

Circuit function A (CF A)

2/2-way solenoid valve
Direct-acting
Normally closed

Circuit function B (CF B)

2/2-way solenoid valve
Direct-acting
Normally open

Circuit function T (CF T)

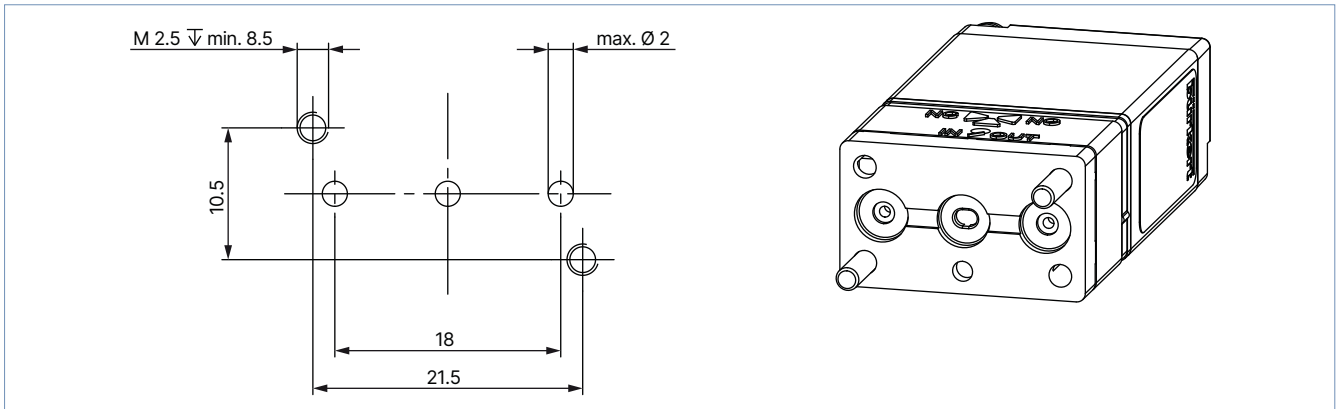
3/2-way solenoid valve
Direct-acting
Flow direction optional
Universal

See chapter "2. Circuit functions" on page 5

5.5. Bürkert sub-base interface, 3-way standard

Note:

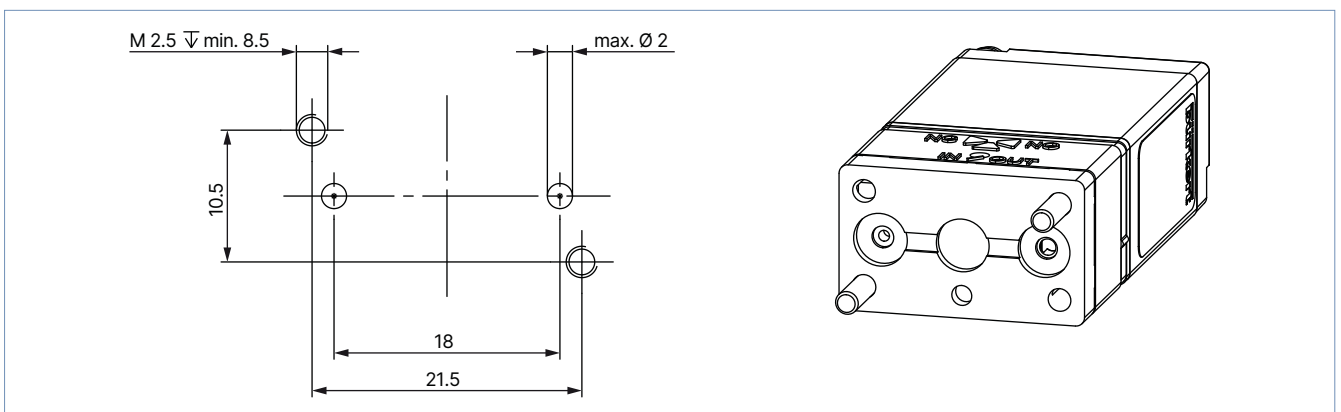
Dimensions in mm



5.6. Bürkert sub-base interface, 2-way standard

Note:

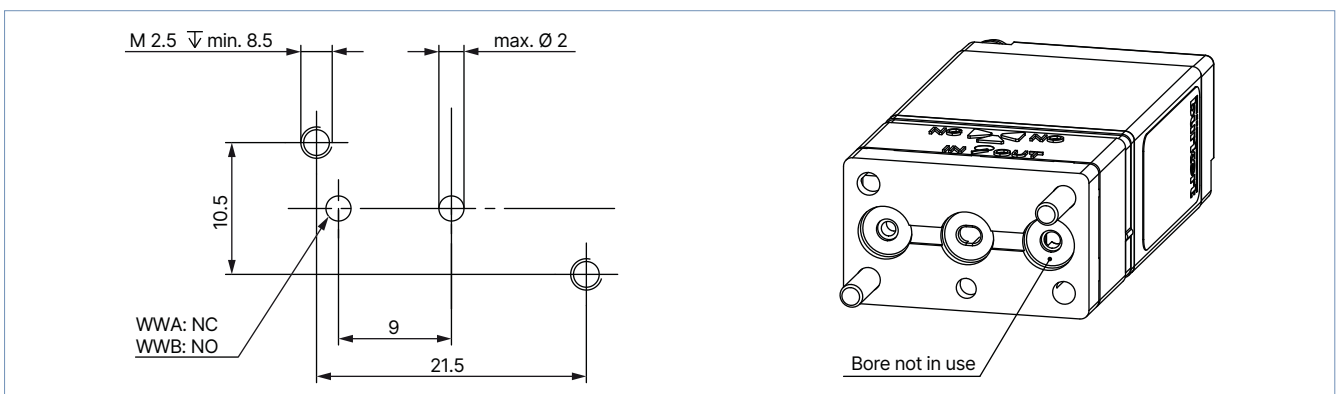
Dimensions in mm



5.7. Bürkert sub-base interface, 2-way (low dead volume)

Note:

- Dimensions in mm
- Available on request



DTS 1000138746 EN Version: G Status: RL (released | freigegeben | valide) printed: 09.01.2025

6. Ordering information

6.1. Bürkert eShop



Bürkert eShop – Easy ordering and quick delivery

You want to find your desired Bürkert product or spare part quickly and order directly? Our online shop is available for you 24/7. Sign up and enjoy all the benefits.

[Order online now](#)

6.2. Bürkert product filter

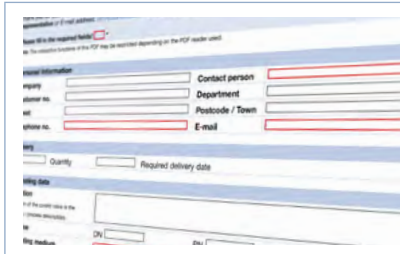


Bürkert product filter – Get quickly to the right product

You want to select products comfortably based on your technical requirements? Use the Bürkert product filter and find suitable articles for your application quickly and easily.

[Try out our product filter](#)

6.3. Bürkert Product Enquiry Form



Bürkert Product Enquiry Form – Your enquiry quickly and compactly

Would you like to make a specific product enquiry based on your technical requirements? Use our Product Enquiry Form for this purpose. There you will find all the relevant information for your Bürkert contact. This will enable us to provide you with the best possible advice.

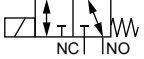

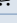


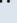
[Fill out the form now](#)

6.4. Ordering chart

Note:

- Deviating pressure ranges are possible on request.
- 2 x fixing screws M2.5 for sub-base versions are included in the scope of delivery.
- Connectors for rectangular plugs and cable plugs are not included in the scope of delivery and must be ordered separately, see **“6.5. Ordering chart accessories” on page 11.**

Circuit function	Port connection	Orifice	Q _{Nb} value air	K _v value water	C _v value	Voltage/ Frequency	Pressure range	Body material	Seal material	Electrical connection	Article no.	
		[mm]	[l/min]	[m ³ /h]	[gal/min]		[V/Hz]					[bar] ¹⁾
CF A 2/2–way solenoid valve Direct-acting Normally closed 	Sub-base	0.8	16	0.015	0.017	12/DC	0...6	PPS	FKM	Cable plug, lateral	139151	
						24/DC				139088		
						24/DC				139236		
						12/DC				EPDM	Cable plug, lateral	139154
						24/DC					139155	

Circuit function	Port connection	Orifice	Q _{Nm} value air	K _v value water	C _v value	Voltage/Frequency	Pressure range	Body material	Seal material	Electrical connection	Article no.
		[mm]	[l/min]	[m ³ /h]	[gal/min]	[V/Hz]	[bar] ¹⁾				
CF T 3/2-way solenoid valve Direct-acting Flow direction optional Universal 	Sub-base	0.8	16	0.015	0.017	12/DC	0..6	PPS	FKM	Cable plug, lateral	139158 
						24/DC				139159 	
						24/DC				Rectangular plug	139237 
						12/DC				Cable plug, lateral	139162 
						24/DC					139163 





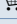



1) Pressure data: overpressure to atmospheric pressure

6.5. Ordering chart accessories

Rectangular cable plug Type 2505

Note:

For further versions see data sheet **Type 2505** ▶


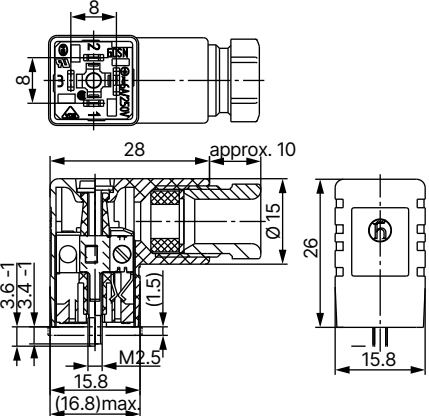
Accessories	Description	Article no.
	Cable plug 10 mm with cable, 2-pin, rectangular plug, straight, cable length: 3 m (Type 2505)	252572 
	Cable plug 10 mm with cable, 2-pin, rectangular plug, straight, cable length: 5 m (Type 2505)	255194 
	Cable plug 10 mm with cable, 2-pin, rectangular plug, straight, cable length: 0,3 m (Type 2505)	644068 
	Cable plug 10 mm with cable, 2-pin, rectangular plug, straight, cable length: 0.6 m (Type 2505)	162144 
	Cable plug 10 mm, 2-pin, rectangular plug, straight (Type 2505)	644067 

DTS 1000138746 EN Version: G Status: RL (released | freigegeben | valide) printed: 09.01.2025

Cable plug Type 2516, form C according to DIN EN 175301 - 803

Note:

- Dimensions in mm
- Delivery of cable plug includes a flat seal and a fixing screw.
- For further versions see data sheet **Type 2516** ▶.

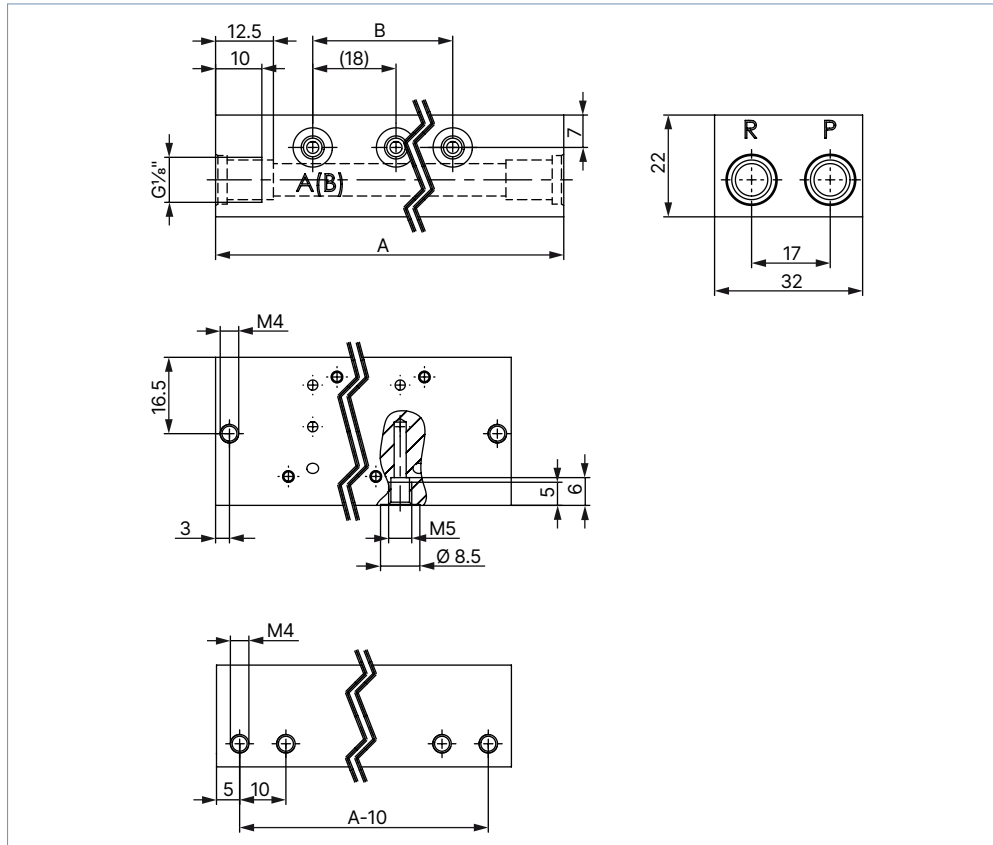
Cable plug	Dimensions	Version	Voltage	Article no.
		Without circuitry	0...250 V AC/DC	303141
		With LED	12...24 V AC/DC	303145
		With LED and varistor	12...24 V AC/DC	303148
		With rectifier, LED and varistor	12...24 V AC/DC	303142

DTS 1000138746 EN Version: G Status: RL (released | freigegeben | validé) printed: 09.01.2025

Multiple manifolds for Bürkert sub-base interface, 3-way

Note:

- Dimensions in mm
- Port connection 1: G 1/8"
- Port connection 2: M5
- Material aluminium (black anodized)
- Pay attention to screw protrusion.
- Other versions are available on request.



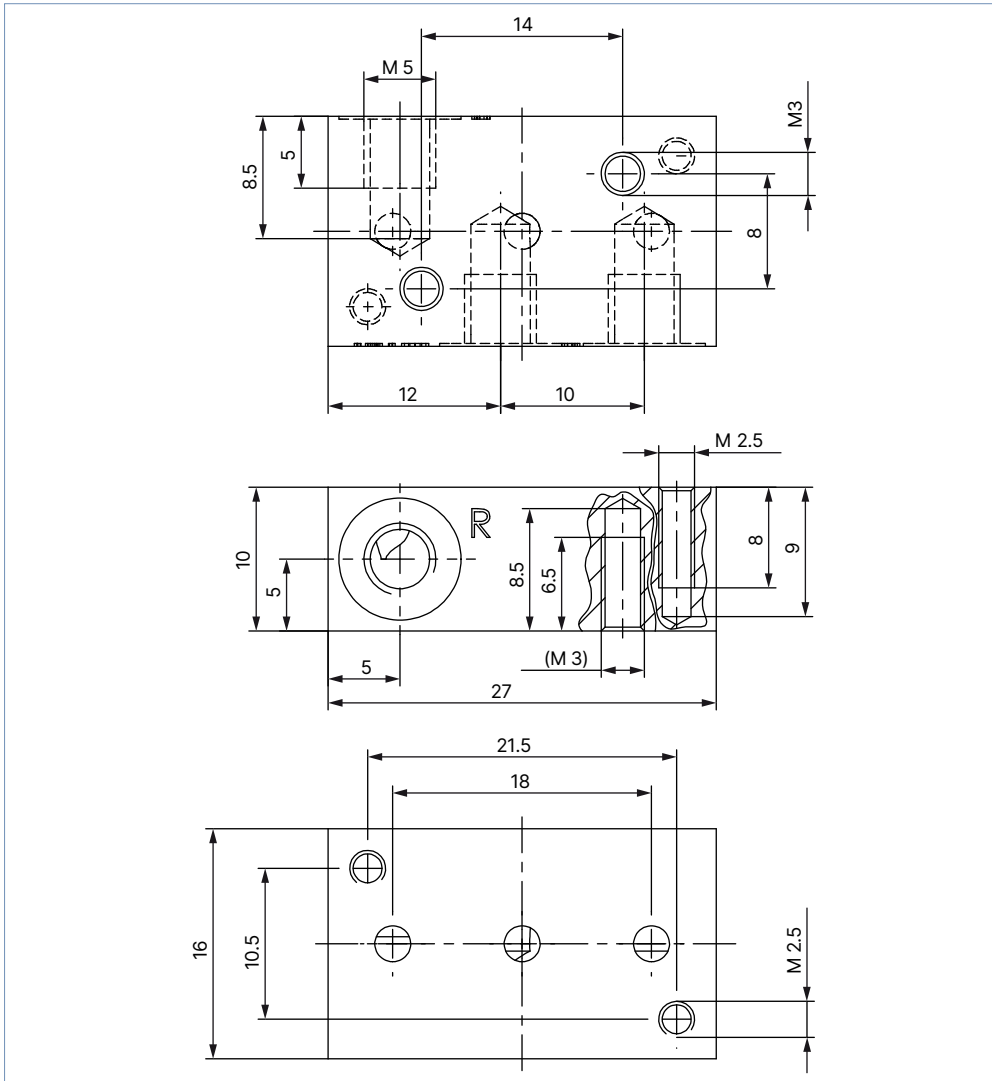
Manifold	A	B	n	Article no.
2-fold	63	18	2	658695
3-fold	81	36	3	658696
4-fold	99	54	4	658697
5-fold	117	72	5	658698
6-fold	135	90	6	658699
8-fold	171	126	8	658700
10-fold	207	162	10	658701
12-fold	243	198	12	658703

DTS 1000138746 EN Version: G Status: RL (released | freigegeben | valide) printed: 09.01.2025

Single manifolds for Bürkert sub-base interface, 3-way

Note:

- Dimensions in mm
- Port connection M5
- Material aluminium (black anodized)
- Pay attention to screw protrusion.
- Other versions are available on request.

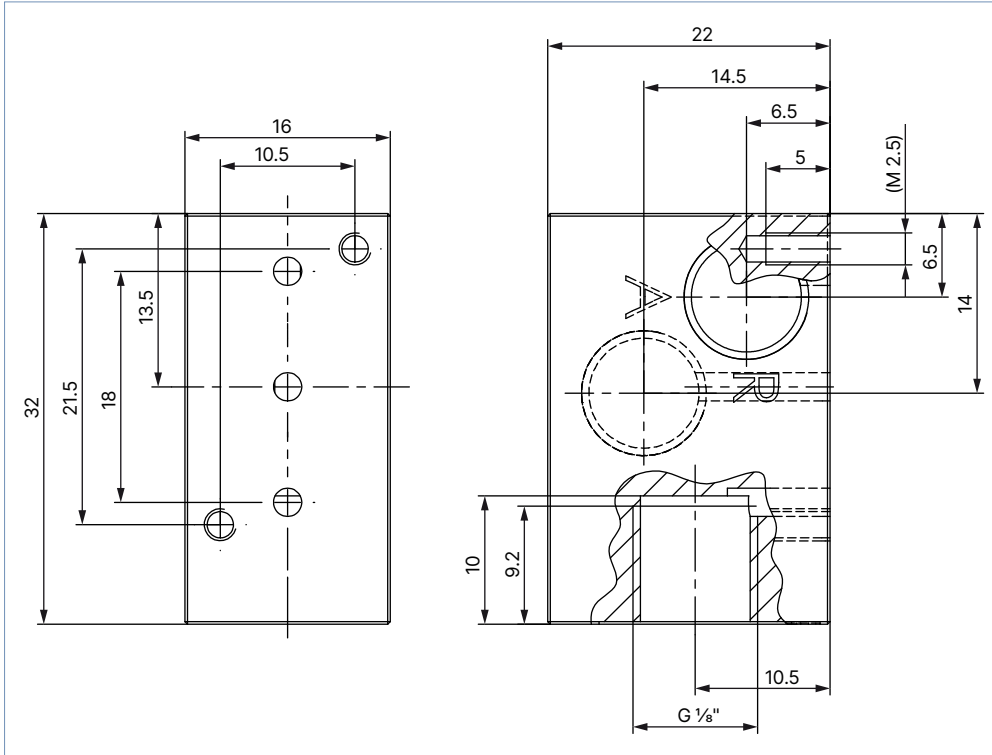


Manifold	Article no.
1-fold	623873

DTS 1000138746 EN Version: G Status: RL (released | freigegeben | validé) printed: 09.01.2025

Note:

- Dimensions in mm
- Port connection G 1/8"
- Material aluminium (black anodized)
- Pay attention to screw protrusion.
- Other versions are available on request.



Manifold	Article no.
1-fold	634917 