





## 2/2 or 3/2 way Pneumatic-Rocker-Solenoid Valve

- Compact design with 16 mm width
- DN 0.9 and DN 1.2 (10 bar)
- High lifecycle
- Low power consumption, ATEX Ex ia on request
- For pneumatic applications



Product variants described in the data sheet may differ from the product presentation and description.

### Can be combined with

	<b>Type 2516</b> Cable plug, form C according to DIN EN 175301-803	▶
	<b>Type 2505</b> 10 mm socket for Bürkert small solenoid valves	▶

### Type description

The direct-acting rocker solenoid valve type 6106 is designed for use on neutral gaseous mediums. The heat input in the medium is minimal, because the housing is separated from the coil by a stainless steel plate. The valves can be mounted directly or also single or manifold mounted. They are used for dosing, filling, mixing and distributing small quantities of medium.

## Table of contents

<b>1. General technical data</b>	<b>3</b>
1.1. General data .....	3
1.2. Medium pressure .....	4
<b>2. Product versions</b>	<b>4</b>
<b>3. Circuit functions</b>	<b>4</b>
<b>4. Approvals and conformities</b>	<b>5</b>
4.1. General notes .....	5
4.2. Conformity .....	5
4.3. Standards .....	5
4.4. Explosion protection .....	5
<b>5. Materials</b>	<b>6</b>
5.1. Bürkert resistApp .....	6
5.2. Material specifications .....	6
<b>6. Dimensions</b>	<b>7</b>
6.1. Bürkert sub-base version with cable plug lateral Type 2516 .....	7
6.2. Bürkert sub-base interface, 3-way standard .....	7
6.3. CNOMO angled sub-base version with cable plug lateral Type 2516 .....	8
6.4. CNOMO sub-base interface, 3-way .....	8
<b>7. Product design and assembly</b>	<b>9</b>
7.1. Application examples .....	9
<b>8. Performance specifications</b>	<b>9</b>
8.1. Electrical data explosion-proof version Ex ia .....	9
<b>9. Ordering information</b>	<b>10</b>
9.1. Bürkert eShop .....	10
9.2. Bürkert product filter .....	10
9.3. Bürkert Product Enquiry Form .....	10
9.4. Ordering chart .....	11
9.5. Ordering chart accessories .....	12
Mounting set for standard rail .....	12
Rectangular cable plug Type 2505 .....	12
Cable plug Type 2516, form C according to DIN EN 175301 - 803 .....	13
Multiple manifolds for Bürkert sub-base interface, 3-way .....	14
Single manifolds for Bürkert sub-base interface, 3-way .....	15
Multiple manifolds for CNOMO sub-base, 3-way .....	17
Single manifolds for CNOMO sub-base, 3-way .....	18

## 1. General technical data

### 1.1. General data

Product properties	
Dimensions	Further information can be found in chapter <a href="#">"6. Dimensions" on page 7.</a>
Material	
Seal	FKM
Fluidic housing	Polyamide
Minimum bending radius for flying leads version	Single bending: 8.5 mm
Orifice	DN 0.9 and DN 1.2 (other orifices on request)
Circuit function	C and D Further information can be found in chapter <a href="#">"3. Circuit functions" on page 4.</a>
Performance data	
Switching time <sup>1.)</sup>	
Standard version	Opening: approx. 25 ms (pressure build-up 0...10%) Closing: approx. 25 ms (pressure reduction 100...90%)
Explosion-proof version	Opening: approx. 25 ms (pressure build-up 0...10%) Closing: approx. 35 ms (pressure reduction 100...90%)
Electrical data	
Operating voltage	12/24 V DC (other voltages on request)
Duty cycle	100 % continuous operation
Nominal power	
Standard version	1 W or 2 W
Explosion-proof version	0.5 W
Switching frequency <sup>2.)</sup>	Ca. 16 Hz
Voltage tolerance <sup>3.)</sup>	± 10 %
Medium data	
Operating medium	Resistant to neutral gases (5 µm filtering) (see chapter <a href="#">"5.1. Bürkert resistApp" on page 6)</a>
Medium temperature	-10 °C...+ 55 °C
Process/Port connection & communication	
Electrical connection <sup>4.)</sup>	Plug contacts according to DIN EN 175301 - 803 form C for cable plug <b>Type 2516</b> ▶ top/lateral Two FEP-leads 0.2 mm <sup>2</sup> (AWG24), length 500 mm Rectangular cable plug <b>Type 2505</b> ▶ Further information can be found in chapter <a href="#">"9.5. Ordering chart accessories" on page 12.</a>
Port connection	Bürkert sub-base (16 × 27 mm) CNOMO lateral sub-base
Approvals and conformities	
Degree of protection	IP65 with flying leads or cable plug <b>Type 2516</b> ▶ IP30 with rectangular cable plug <b>Type 2505</b> ▶
Explosion protection	Further information can be found in chapter <a href="#">"4.4. Explosion protection" on page 5.</a>
Environment and installation	
Installation position	As required, preferably with actuator upright
Ambient temperature	-10 °C...+ 55 °C

1.) Measurement at + 20 °C, 6.3 bar at the valve outlet according to DIN ISO 12238:2001

2.) At ambient temperature + 20 °C

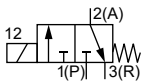
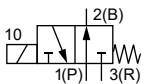
3.) Maximum permitted residual ripple

4.) Other electric connectors and other cable lengths are available on request.

### 1.2. Medium pressure

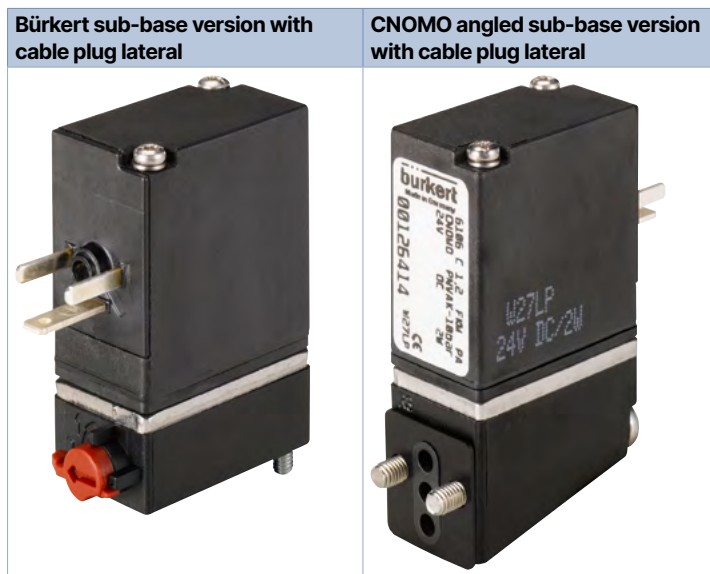
**Note:**

Deviating pressure ranges are possible on request.

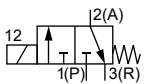
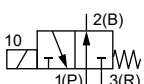
Circuit functions	Orifice [mm]	Nominal power [W]	Port connection	Max. differential pressure <sup>1)</sup> [bar]
<b>CF C</b> 3/2-way solenoid valve Direct-acting Normally closed 	0.9	1	Sub-base	Vac...8
	1.2	2	Sub-base	Vac...10
<b>CF D</b> 3/2-way solenoid valve Direct-acting Normally open 	0.9	1	Sub-base	Vac...8
	1.2	2	Sub-base	Vac...10

1) Pressure data: overpressure to atmospheric pressure

### 2. Product versions



### 3. Circuit functions

Symbol	Description
	<b>Circuit function C (CF C)</b> 3/2-way solenoid valve Direct-acting Normally closed
	<b>Circuit function D (CF D)</b> 3/2-way solenoid valve Direct-acting Normally open

## 4. Approvals and conformities

### 4.1. General notes

- The approvals and conformities listed below must be stated when making enquiries. This is the only way to ensure that the product complies with all required specifications.
- Not all available versions can be supplied with the below mentioned approvals or conformities.



### 4.2. Conformity

In accordance with the Declaration of Conformity, the product is compliant with the EU Directives.

### 4.3. Standards

The applied standards which are used to demonstrate compliance with the EU Directives are listed in the EU-Type Examination Certificate and/or the EU Declaration of Conformity.

### 4.4. Explosion protection

Approval	Description
 	<p><b>Optional: Explosion protection</b>                      EU type examination certificate: PTB 01 ATEX 2175 / IECEx PTB 06.0102</p> <p><b>ATEX:</b>                      II 2 G Ex ia IIC T5, T6 Gb</p> <p><b>IECEx:</b>                      Ex ia IIC T5, T6 Gb</p>

DTS 1000011046 EN Version: K Status: RL (released | freigegeben | validé) printed: 18.12.2024

## 5. Materials

### 5.1. Bürkert resistApp

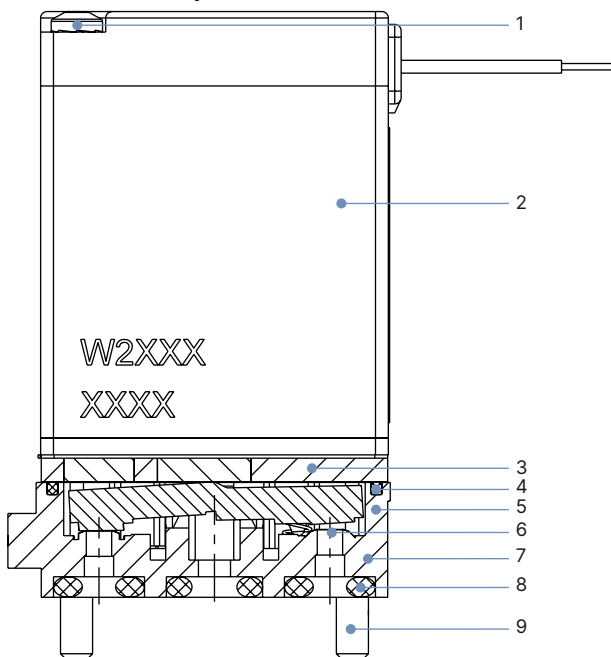


#### Bürkert resistApp – Chemical resistance chart

You want to ensure the reliability and durability of the materials in your individual application case? Verify your combination of media and materials on our website or in our resistApp.

[Start chemical resistance check](#)

### 5.2. Material specifications



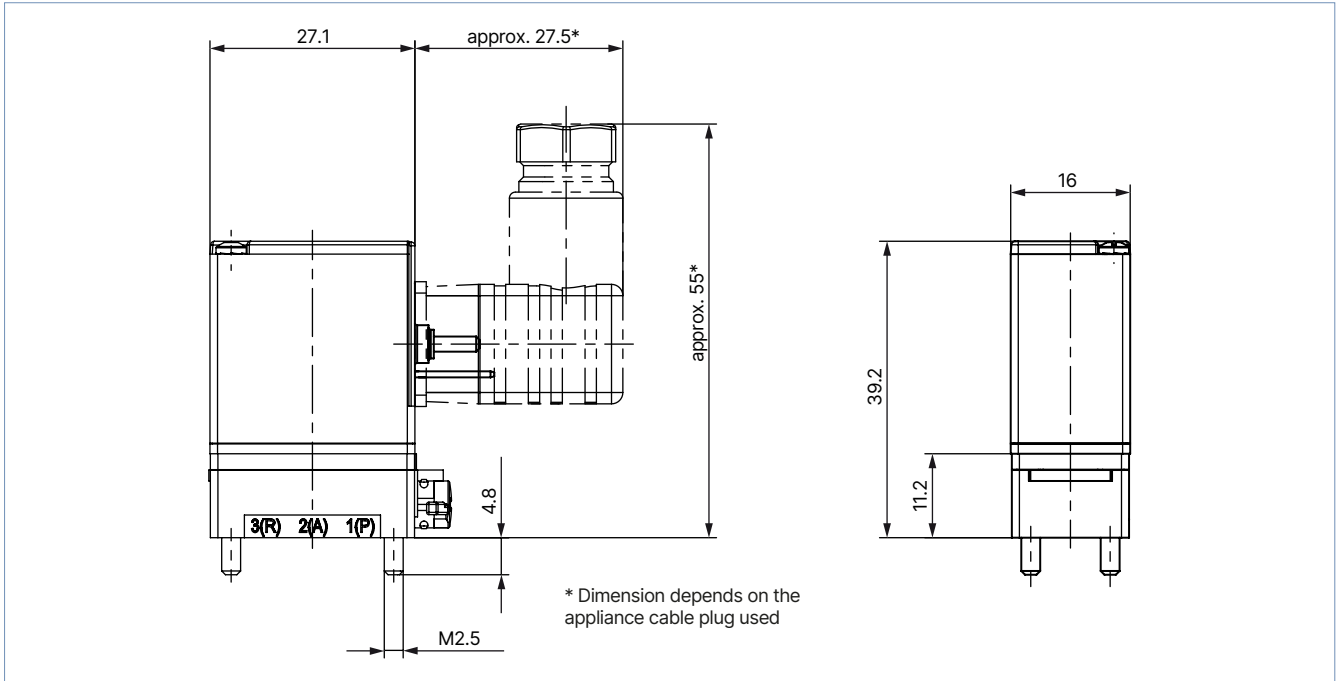
No.	Element	Material
1	Rounded head screw M2	Stainless steel
2	Coil	Epoxy
3	Intermediate plate (medium contact)	Stainless steel and nickel solder
4	Body seal (medium contact)	FKM
5	Anchor (medium contact)	Stainless steel
6	Seat seal (medium contact)	FKM
7	Fluid body (medium contact)	PA
8	Sub-base seal (medium contact)	FKM
9	Rounded head screw M2.5	Stainless steel

## 6. Dimensions

### 6.1. Bürkert sub-base version with cable plug lateral Type 2516

**Note:**

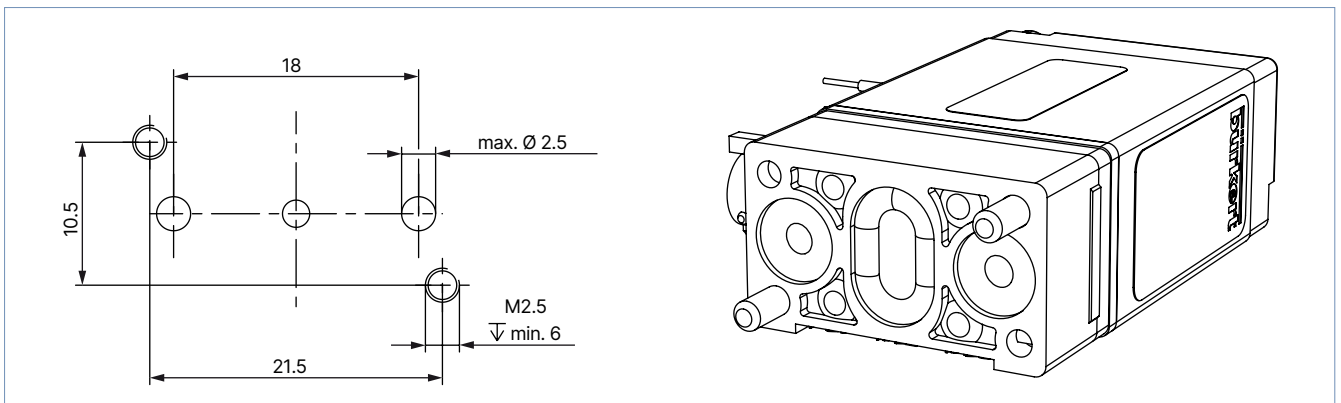
Dimensions in mm



### 6.2. Bürkert sub-base interface, 3-way standard

**Note:**

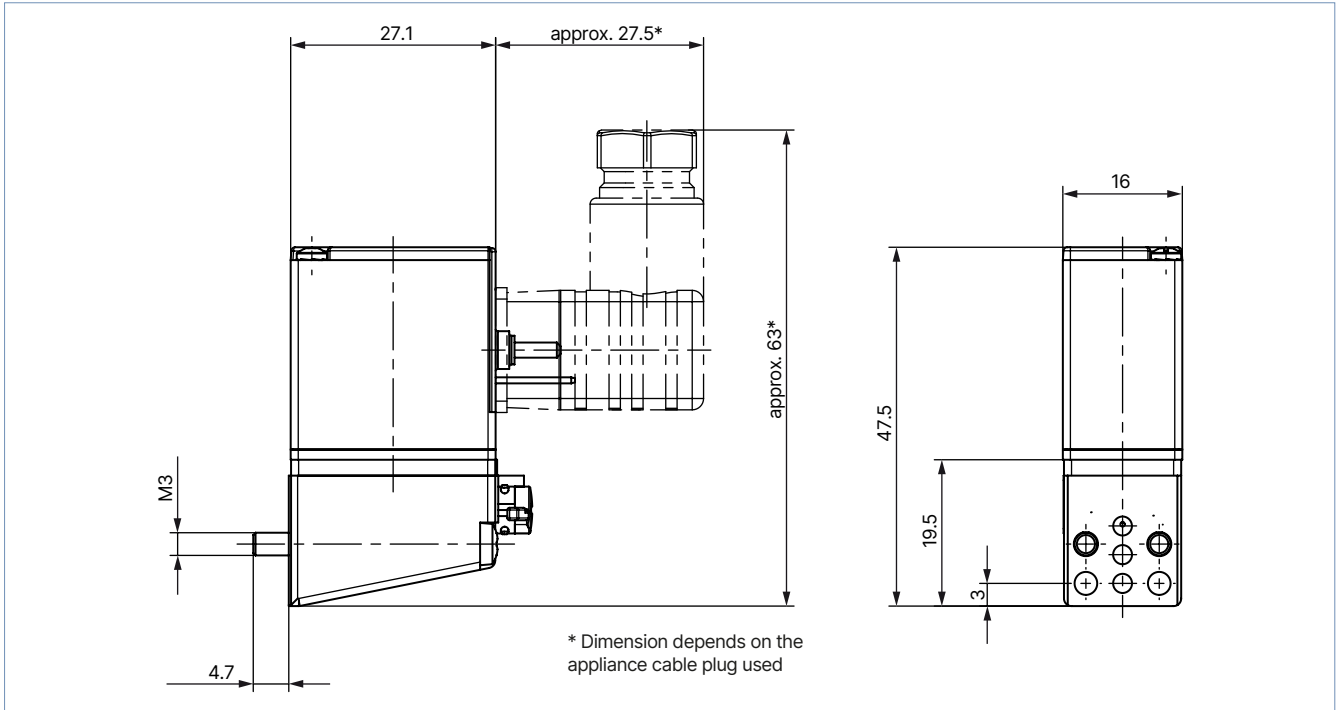
Dimensions in mm



### 6.3. CNOMO angled sub-base version with cable plug lateral Type 2516

**Note:**

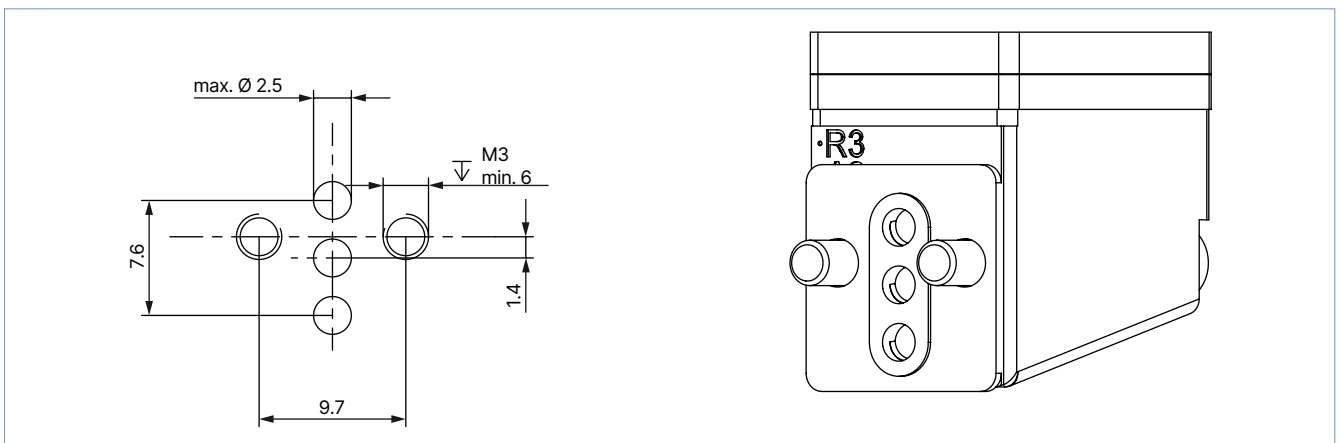
Dimensions in mm



### 6.4. CNOMO sub-base interface, 3-way

**Note:**

Dimensions in mm

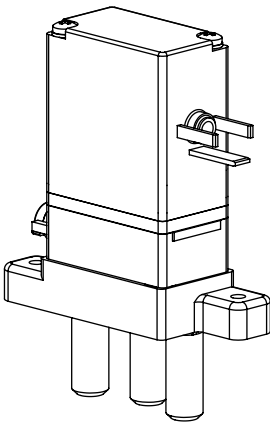
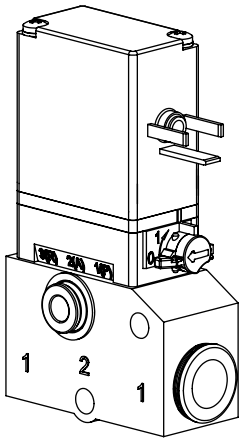
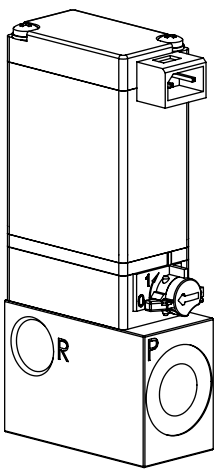
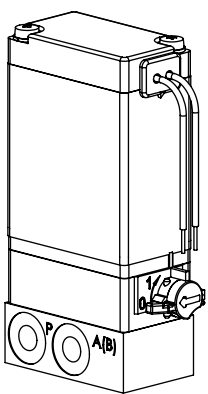


DTS 1000011046 EN Version: K Status: RL (released | freigegeben | validé) printed: 18.12.2024



## 7. Product design and assembly

### 7.1. Application examples

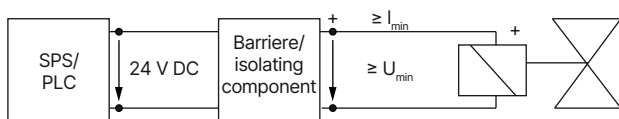
Application	Description	Application	Description
	Device with plug form C lateral and tube spigot connection		Device with plug form C lateral and tube coupling
	Device with rectangular plug and G 1/8" manifold		Device with flying leads and M5 manifold

## 8. Performance specifications

### 8.1. Electrical data explosion-proof version Ex ia

**Note:**

- The valve is designed to operate on 24 V/DC outputs through an intermediary intrinsically safe apparatus (isolating block or barrier).
- Refer to **Type AC21 ATEX 2175** ▶ additional instructions for the permitted maximum values/value pairs.
- Type of protection: PTB 01 ATEX 2175: II 2 G Ex ia IIC T5,T6 Gb  
IECEX PTB 06.0102: Ex ia IIC T5,T6 Gb



Version	Resistance at 20 °C ± 4 % [Ω]	Minimum terminal voltage [V]	Minimum current [mA]
For use with a 300 Ω supply module	320	9.3	29
High resistance version	475	10.9	23

## 9. Ordering information

### 9.1. Bürkert eShop



#### Bürkert eShop – Easy ordering and quick delivery

You want to find your desired Bürkert product or spare part quickly and order directly? Our online shop is available for you 24/7. Sign up and enjoy all the benefits.

[Order online now](#)

### 9.2. Bürkert product filter

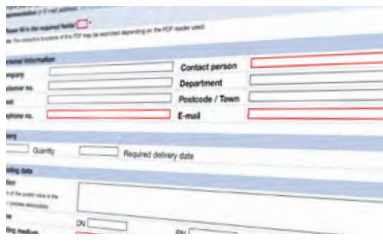


#### Bürkert product filter – Get quickly to the right product

You want to select products comfortably based on your technical requirements? Use the Bürkert product filter and find suitable articles for your application quickly and easily.

[Try out our product filter](#)

### 9.3. Bürkert Product Enquiry Form



#### Bürkert Product Enquiry Form – Your enquiry quickly and compactly

Would you like to make a specific product enquiry based on your technical requirements? Use our Product Enquiry Form for this purpose. There you will find all the relevant information for your Bürkert contact. This will enable us to provide you with the best possible advice.

[Fill out the form now](#)

DTS 1000011046 EN Version: K Status: RL (released | freigegeben | validé) printed: 18.12.2024

### 9.4. Ordering chart

**Note:**

- The valves listed below are equipped with side plug contacts, manual override, sub-base seals and fastening screws (2 x M2.5 x 16 for Bürkert sub-base and 2 x M3 x 30 for CNOMO sub-base).
- Also available without manual override as an option
- Connectors for rectangular plugs and cable plugs are not included in the scope of delivery and must be ordered separately, see “9.5. Ordering chart accessories” on page 12.
- Other versions are available on request.

Circuit function	Port connection	Orifice	Q <sub>Nn</sub> value air <sup>1.)</sup> 1→2	Q <sub>Nn</sub> value air <sup>1.)</sup> 2→3	Voltage/ Frequency	Power consumption	Pressure range	Article no.
		[mm]	[l/min]	[l/min]	[V/Hz]	[W]	[bar]	
<b>CF C</b> 3/2-way solenoid valve Direct-acting Normally closed 	Bürkert sub-base	0.9	22	25	24/DC	1	Vac...8	126417
	CNOMO sub-base							126418
	Bürkert sub-base	1.2	40	47	24/DC	2	Vac...10	126411
	CNOMO sub-base							33
<b>CF D</b> 3/2-way solenoid valve Direct-acting Normally open 	Bürkert sub-base	0.9	22	25	24/DC	1	Vac...8	126421
	CNOMO sub-base							126422
	Bürkert sub-base	1.2	40	47	24/DC	2	Vac...10	126419
	CNOMO sub-base							33

1.) Measurement at +20 °C, 6 bar pressure at valve inlet and 1 bar differential pressure

#### Further versions on request



**Approval**

Further information can be found in chapter “4. Approvals and conformities” on page 5.



**Electrical connection**

Industrial plug form C, Bürkert rectangular plug, flying leads connection



**Process connection**

Bürkert sub-base, CNOMO sub-base, plug-in coupling, tube body

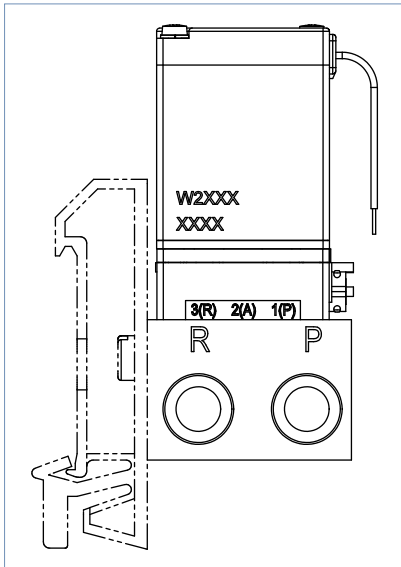
DTS 1000011046 EN Version: K Status: RL (released | freigegeben | validé) printed: 18.12.2024

### 9.5. Ordering chart accessories

#### Mounting set for standard rail

**Note:**

Suitable for standard rail TS35 × 7.5 mm



Description	Article no.
Mounting set	629254

#### Rectangular cable plug Type 2505

**Note:**

For further versions see data sheet [Type 2505](#) ▶.


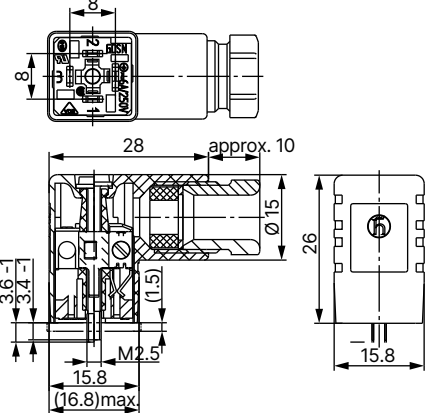
Accessories	Description	Article no.
	Cable plug 10 mm with cable, 2-pin, rectangular plug, straight, cable length: 3 m (Type 2505)	252572
	Cable plug 10 mm with cable, 2-pin, rectangular plug, straight, cable length: 5 m (Type 2505)	255194
	Cable plug 10 mm with cable, 2-pin, rectangular plug, straight, cable length: 0,3 m (Type 2505)	644068
	Cable plug 10 mm with cable, 2-pin, rectangular plug, straight, cable length: 0.6 m (Type 2505)	162144
	Cable plug 10 mm, 2-pin, rectangular plug, straight (Type 2505)	644067

DTS 1000011046 EN Version: K Status: RL (released | freigegeben | validé) printed: 18.12.2024

**Cable plug Type 2516, form C according to DIN EN 175301 - 803**

**Note:**

- Dimensions in mm
- Delivery of cable plug includes a flat seal and a fixing screw.
- For further versions see data sheet **Type 2516** ▶.

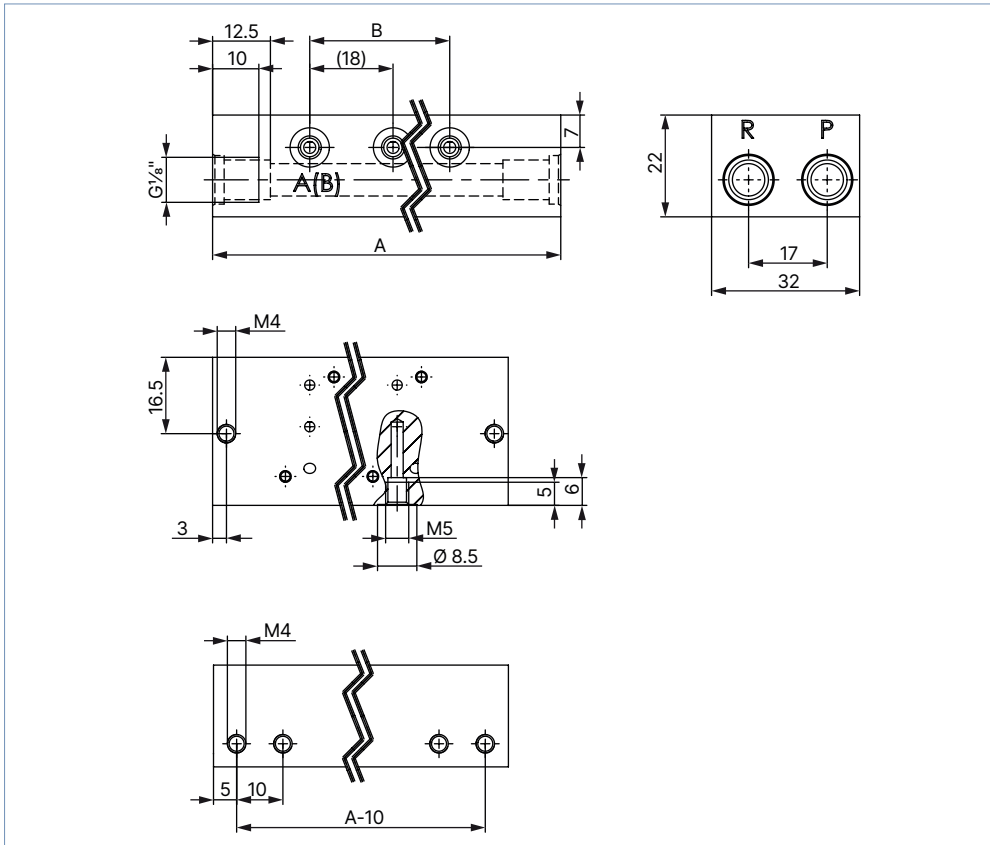
Cable plug	Dimensions	Version	Voltage	Article no.
		Without circuitry	0...250 V AC/DC	303141
		With LED	12...24 V AC/DC	303145
		With LED and varistor	12...24 V AC/DC	303148
		With rectifier, LED and varistor	12...24 V AC/DC	303142

DTS 1000011046 EN Version: K Status: RL (released | freigegeben | validé) printed: 18.12.2024

**Multiple manifolds for Bürkert sub-base interface, 3-way**

**Note:**

- Dimensions in mm
- Port connection 1: G 1/8"
- Port connection 2: M5
- Material aluminium (black anodized)
- Pay attention to screw protrusion.
- Other versions are available on request.



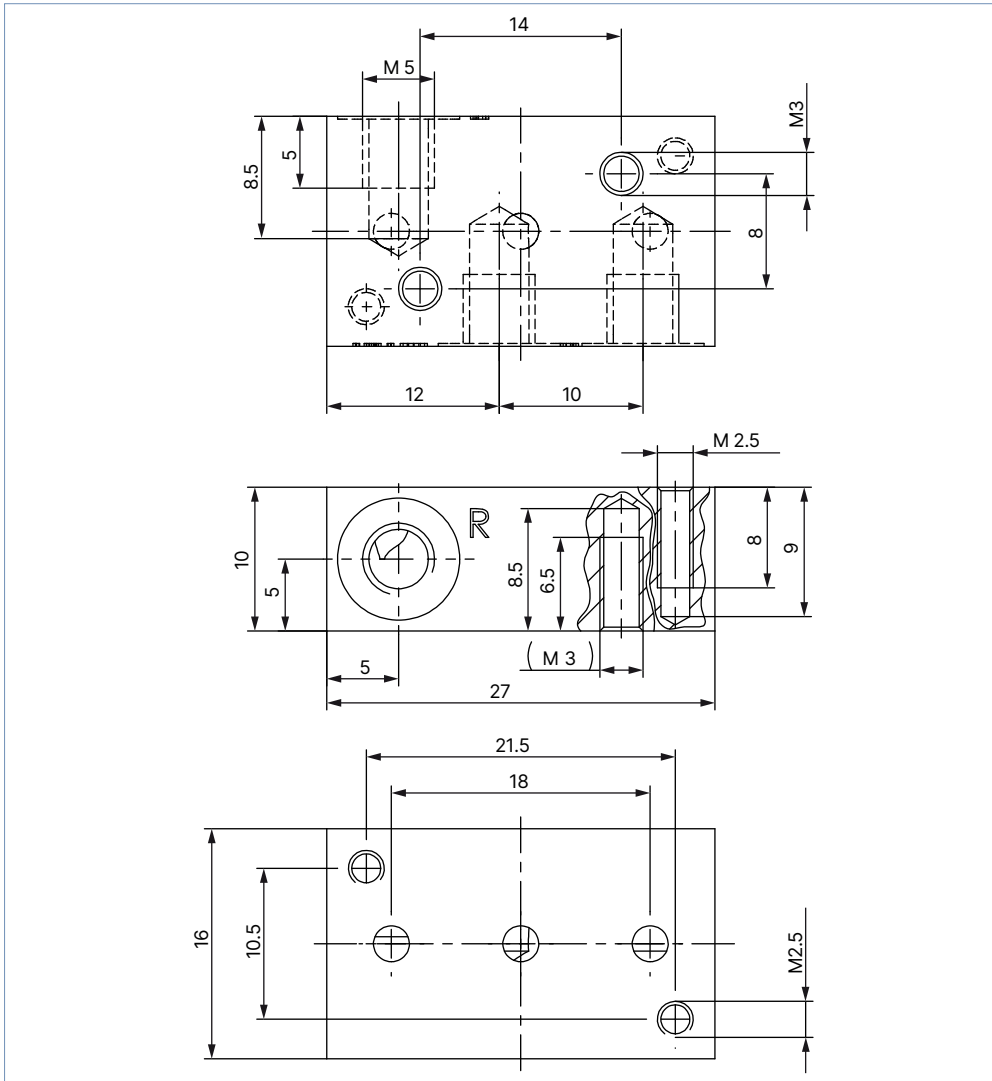
Manifold	A	B	n	Article no.
2-fold	63	18	2	658695
3-fold	81	36	3	658696
4-fold	99	54	4	658697
5-fold	117	72	5	658698
6-fold	135	90	6	658699
8-fold	171	126	8	658700
10-fold	207	162	10	658701
12-fold	243	198	12	658703
Blanking plate kit for non-configured valve positions				629327

DTS 1000011046 EN Version: K Status: RL (released | freigegeben | valide) printed: 18.12.2024

Single manifolds for Bürkert sub-base interface, 3-way

Note:

- Dimensions in mm
- Port connection M5
- Material aluminium (black anodized)
- Pay attention to screw protrusion.
- Other versions are available on request.

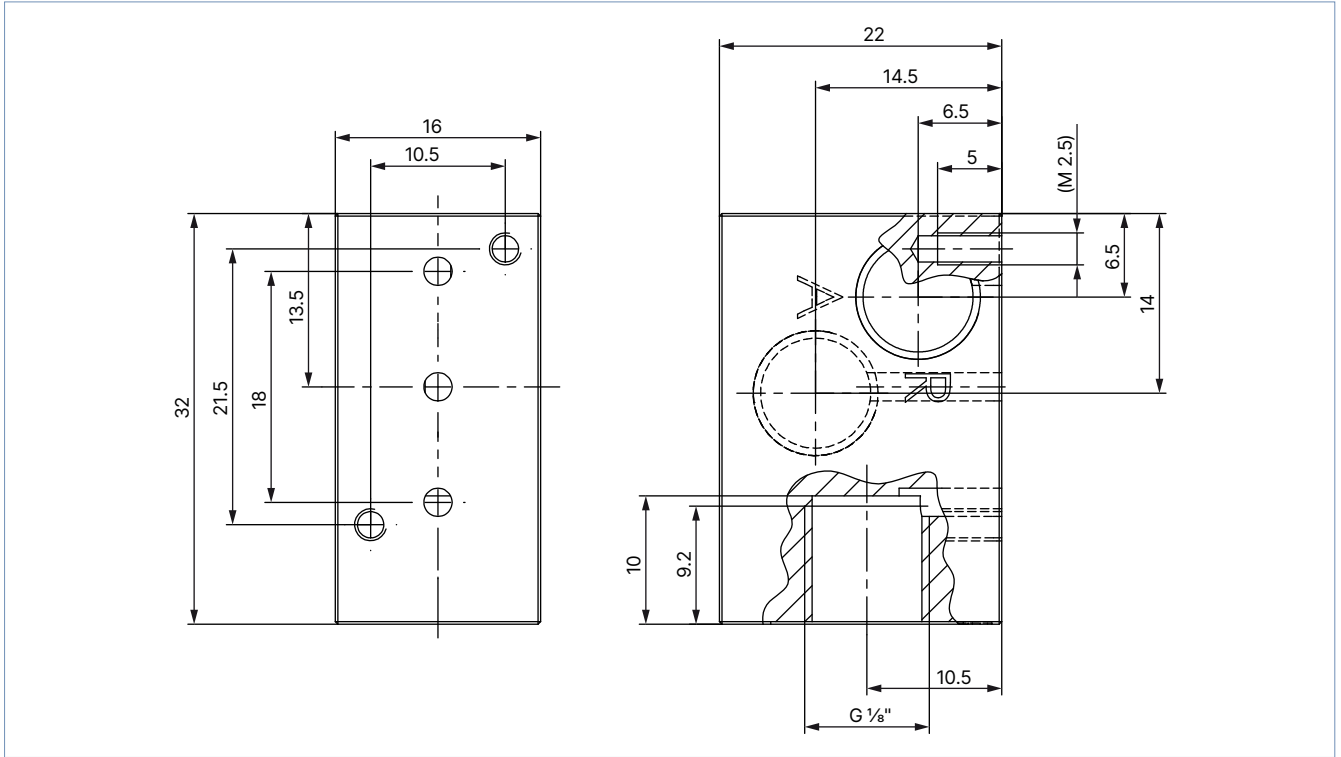


Manifold	Article no.
1-fold	623873 ☐

DTS 1000011046 EN Version: K Status: RL (released | freigegeben | validé) printed: 18.12.2024

**Note:**

- Dimensions in mm
- Port connection G 1/8"
- Material aluminium (black anodized)
- Pay attention to screw protrusion.
- Other versions are available on request.



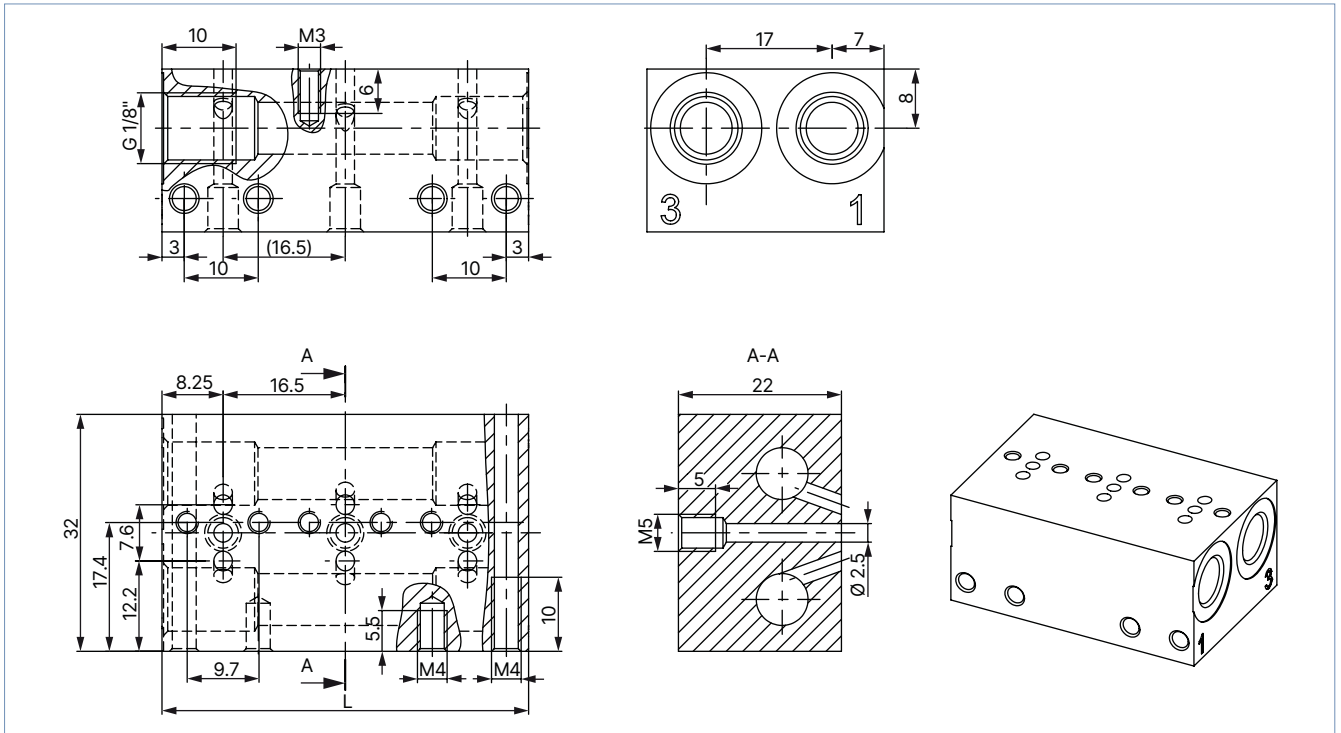
Manifold	Article no.
1-fold	634917



**Multiple manifolds for CNOMO sub-base, 3-way**

**Note:**

- Dimensions in mm
- Port connection 1: G 1/8"
- Port connection 2: M5
- Material aluminium (black anodized)
- Pay attention to screw protrusion.
- Other versions are available on request.



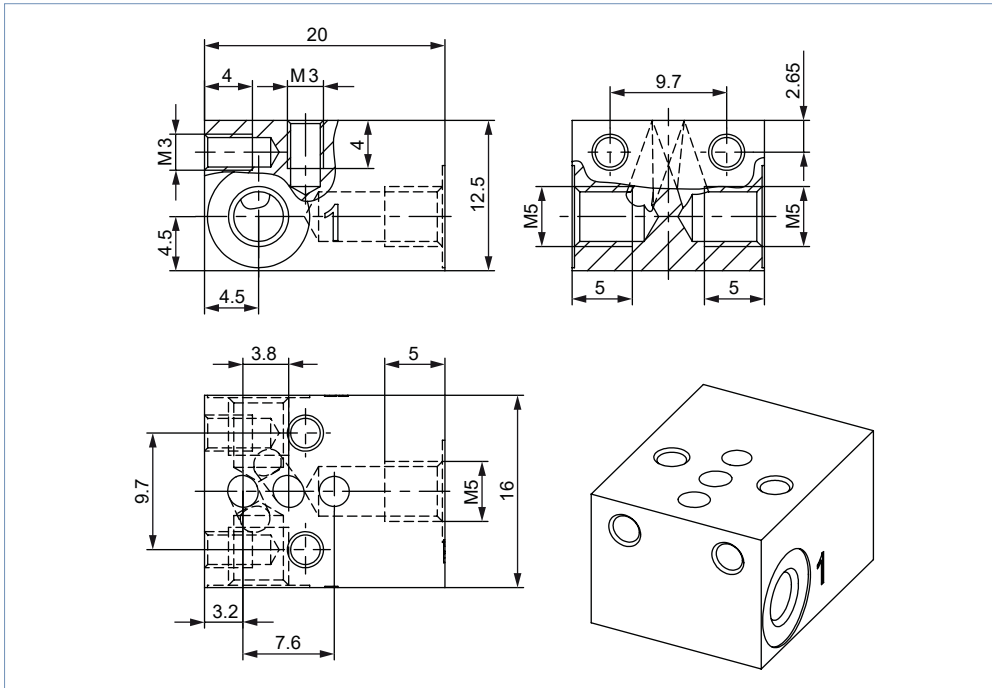
Manifold	L	Article no.
2 fold	33	639887
3 fold	49.5	639862
4 fold	66	639863
5 fold	82.5	639864
6 fold	99	639865
8 fold	132	639866
10 fold	165	639867
12 fold	198	639868
Blanking plate kit for non-configured valve positions		639695

DTS 1000011046 EN Version: K Status: RL (released | freigegeben | valide) printed: 18.12.2024

**Single manifolds for CNOMO sub-base, 3-way**

**Note:**

- Dimensions in mm
- Port connection M5
- Material aluminium (black anodized)
- Pay attention to screw protrusion.
- Other versions are available on request.



Manifold	Article no.
1-fold	639885