





Direct-acting 2/2-way plunger valve

- Direct-acting, powerful valve with diameter of up to DN 13
- Vibration-proof, bolted coil system
- Energy-saving double coil technology with kick and drop variant
- Explosion proof versions
- High pressure variants for gases and liquids



Product variants described in the data sheet may differ from the product presentation and description.

Can be combined with

	<p>Type 2518 Cable plug, form A according to DIN EN 175301 - 803</p>	▶
	<p>Type 2509 Cable plug, form A according to DIN EN 175301 - 803</p>	▶

Type description

Valve 6027 is a direct-acting plunger valve. The stopper and plunger guide tube are welded together to enhance pressure resistance and leak-tightness. Various seal material combinations are available depending on the application. The coils are moulded with chemically resistant epoxy. An optional sliding ring bearing increases the service life with dry gases. Special seal technology is used for high-pressure applications. To reduce power consumption in operation, coils with Kick and Drop electronics assembly (double coil technology) are available. In combination with a plug in accordance with DIN EN 175301 - 803 Form A, the valves satisfy protection class IP65. NEMA 4X is available on request.

DTS 1000089742 EN Version: AQ Status: RL (released | freigegeben | valide) printed: 18.02.2025

Table of contents

1. General technical data	4
2. Circuit functions	5
3. Approvals and conformities	5
3.1. General notes	5
3.2. Conformity	5
3.3. Standards	5
3.4. Explosion protection	6
3.5. North America (USA/Canada)	6
3.6. Drinking water	6
3.7. Foods and beverages/Hygiene	6
3.8. Others	7
Oxygen	7
Fire protection on railway vehicles	7
Safety shut-off valves	7
Fuel gases	7
4. Materials	8
4.1. Bürkert resistApp	8
4.2. Standard version	8
Elastomer seal version up to 30 bar	8
Version with increased lifespan (NF39)	8
Version PTFE pendulum seal up to 100 bar	9
4.3. High pressure version up to 250 bar or 160 bar	9
4.4. Version DN 13	10
Version DN 13 standard	10
Version DN 13 with increased lifespan (NF39)	10
4.5. Oil burner version (PF15)	11
5. Dimensions	12
5.1. Standard version	12
Threaded version	12
Flange and screw-in version	13
Flange and screw-in version high pressure up to 250 bar or 160 bar	14
5.2. Version DN 13	15
5.3. Oil burner version (PF15)	16
5.4. UL Listed coil for hazardous locations, Class I, Division 2	17
6. Performance specifications	18
6.1. Power consumption	18
6.2. Ambient temperatures with Kick and Drop coils	18
7. Product accessories	18
7.1. Cable glands for ATEX/IECEx terminal box	18
7.2. Special tool to turn the terminal box	19

8. Ordering information	19
8.1. Bürkert eShop	19
8.2. Bürkert product filter	19
8.3. Bürkert Product Enquiry Form	19
8.4. Ordering chart standard version elastomer seal up to 30 bar	20
8.5. Ordering chart standard version pendulum seal up to 100 bar	21
8.6. Ordering chart high pressure version up to 250 bar or 160 bar	22
8.7. Ordering chart version DN 13 with increased lifespan (NF39)	23
8.8. Ordering chart DIN EN 161 (PO19) certification version	23
8.9. Ordering chart oil burner version (PF15)	24
Flow valve/return valve combinations	24
8.10. Ordering charts ATEX/IECEX version with 3 meter cable	25
Standard version with elastomer seal up to 30 bar	25
Standard version with pendulum seal up to 100 bar	26
Version DN 13	26
High pressure version up to 250 bar or 160 bar	27
8.11. Ordering chart ATEX/IECEX version clamp terminal box	27
Standard version with elastomer seal up to 30 bar	27
Standard version with pendulum seal up to 100 bar	28
Version DN 13	28
High pressure version up to 250 bar or 160 bar	29
8.12. Ordering chart accessories	30
Cable plug Type 2509, form A according to DIN EN 175301 - 803	30
Cable plug Type 2518, form A according to DIN EN 175301 - 803	30
Cable glands for ATEX/IECEX terminal box	31
Mounting bracket	31

DTS 1000089742 EN Version: AQ Status: RL (released | freigegeben | validé) printed: 18.02.2025

1. General technical data

Product properties	
Dimensions	Further information can be found in chapter "5. Dimensions" on page 12.
Material	
Seal	FKM, EPDM, NBR, PTFE and PEEK
Body	Brass, stainless steel 1.4404/316L
Coil	Epoxy
Valve inner parts	Further information can be found in chapter "4. Materials" on page 8.
Orifice	DN 1.0...DN 13.0
Circuit function	A and B Further information can be found in chapter "2. Circuit functions" on page 5.
Thermal insulation class of solenoid coil	Epoxy coil class H
Performance data	
Duty cycle	100 % continuous operation
Switching time ¹⁾	
Switching time AC	Opening: 10...30 ms Closing: 50...80 ms
Switching time DC	Opening: 20...30 ms Closing: 50...80 ms
Electrical data	
Operating voltage	24 V DC, 24 V 50 Hz, 24 V 60 Hz, 110 V 50 Hz, 120 V 60 Hz, 230 V 50 Hz, 240 V 60 Hz, others on request
Voltage tolerance	± 10 %
Medium data	
Operating medium ²⁾	
Standard	Vacuum, neutral gases and liquids (e.g. compressed air, water, hydraulic oil, petrol, DVGW 1-3 gas family) and slightly aggressive medium, hot liquids and steam
Oil burner version (PF15)	Heating oil (EL, L, M, S) acc. to DIN 51603 part 1...6, shipping fuels acc. to ISO 8217 Only with stainless steel body: Fatty acid methyl ester (FAME) acc. to DIN EN 14213, rapeseed oil acc. to DIN V 51605
Medium temperature	
Standard version ³⁾	Seat seal/external seal FKM/FKM: - 10 °C...+ 140 °C EPDM/EPDM: - 30 °C...+ 120 °C NBR/NBR: - 10 °C...+ 80 °C PTFE/FKM: - 10 °C...+ 140 °C PTFE/PEEK: - 40 °C...+ 180 °C
High pressure version up to 250 bar or 160 bar	PEEK/FKM: - 10 °C...+ 80 °C PEEK/EPDM: - 30 °C...+ 80 °C PEEK/PEEK: - 40 °C...+ 80 °C
Approval DIN EN 161 (PO19)	NBR/NBR: - 20 °C...+ 80 °C FKM/FKM: 0 °C...+ 125 °C
Oil burner version (PF15)	0 °C...160 °C
Viscosity	Max. 21 mm ² /sec 1.6...76 cSt (DN 2, 2 NC 1.6...22 cSt) (Oil burner version PF15)
Process/Port connection & communication	
Electrical connection	<ul style="list-style-type: none"> Plug contacts according to DIN EN 175 301 - 803 form A for cable plug Type 2518 ▶. Further information can be found in chapter "Cable plug Type 2518, form A according to DIN EN 175301 - 803" on page 30. Plug contacts according to DIN EN 175 301 - 803 form A for cable plug Type 2509 ▶. Further information can be found in chapter "Cable plug Type 2509, form A according to DIN EN 175301 - 803" on page 30.
Port connection	G ¼, G ⅜, G ½, G ¾, NPT ¼, NPT ⅜, NPT ½, NPT ¾ (RC on request)

Approvals and conformities	
DIN CERTCO registration (Oil burner version PF15)	DN 2.2 (NO) Reg. No.: 5S255 DN 3.0 (NC) Reg. No.: 5S255 DN 3.5 (NC) Reg. No.: 5S255 DN 10.0 (NC) Reg. No.: 5S255
Degree of protection	IP65 with cable plug Type 2518 ▶ NEMA 4X with cable plug Type 2509 ▶ with stainless steel versions
Explosion protection	Further information can be found in chapter “3.4. Explosion protection” on page 6.
North America (USA/Canada)	Further information can be found in chapter “3.5. North America (USA/Canada)” on page 6.
Drinking water	Further information can be found in chapter “3.6. Drinking water” on page 6.
Foods and beverages/Hygiene	Further information can be found in chapter “3.7. Foods and beverages/Hygiene” on page 6.
Others	Further information can be found in chapter “3.8. Others” on page 7.
Environment and installation	
Installation position	As required, preferably with actuator upright
Ambient temperature	Max. + 55 °C Max. + 70 °C with Kick and Drop coil ⁴⁾ - 15 °C...+ 60 °C (Oil burner version PF15)

- 1.) Measurement at + 20 °C, 6 bar at the valve outlet, opening: pressure build-up 0...90 %, closing: pressure reduction 100...10 %
- 2.) Medium resistance according to material combination
- 3.) Circuit function normally open in conjunction with AC voltage is limited to max. + 100 °C
- 4.) The temperature specifications correspond to the specified switchable differential pressures. Higher temperatures are possible on request, depending on the differential pressure, duty cycle and number of switching operations Further information can be found in chapter **“6.2. Ambient temperatures with Kick and Drop coils”** on page 18.

2. Circuit functions

Symbol	Description
	Circuit function A (CF A) 2/2-way solenoid valve Direct-acting Normally closed
	Circuit function B (CF B) 2/2-way solenoid valve Direct-acting Normally open

3. Approvals and conformities

3.1. General notes

- The approvals and conformities listed below must be stated when making enquiries. This is the only way to ensure that the product complies with all required specifications.
- Not all available versions can be supplied with the below mentioned approvals or conformities.



3.2. Conformity

In accordance with the Declaration of Conformity, the product is compliant with the EU Directives.

3.3. Standards

The applied standards which are used to demonstrate compliance with the EU Directives are listed in the EU-Type Examination Certificate and/or the EU Declaration of Conformity.


3.4. Explosion protection

Approval	Description					
 	<p>Optional: Explosion protection according to category 2 (zone 1/21)</p> <p>Ex marking of the components according to the following table:</p>					
	<table border="1"> <thead> <tr> <th colspan="2">Coil Type AC10</th> </tr> <tr> <th>Coils with cable outlet</th> <th>Coils with terminal box</th> </tr> </thead> <tbody> <tr> <td> <p>ATEX: EPS 18 ATEX 1232 X II 2G Ex mb IIC T4 Gb II 2D Ex mb IIIC T130 °C Db</p> <p>IECEX: IECEX EPS 18.0110 X Ex mb IIC T4 Gb Ex mb IIIC T130 °C Db</p> </td> <td> <p>ATEX: EPS 18 ATEX 1232 X II 2G Ex eb mb IIC T4 Gb II 2D Ex mb tb IIIC T130 °C Db</p> <p>IECEX: IECEX EPS 18.0110 X Ex eb mb IIC T4 Gb Ex mb tb IIIC T130 °C Db</p> </td> </tr> </tbody> </table>	Coil Type AC10		Coils with cable outlet	Coils with terminal box	<p>ATEX: EPS 18 ATEX 1232 X II 2G Ex mb IIC T4 Gb II 2D Ex mb IIIC T130 °C Db</p> <p>IECEX: IECEX EPS 18.0110 X Ex mb IIC T4 Gb Ex mb IIIC T130 °C Db</p>
Coil Type AC10						
Coils with cable outlet	Coils with terminal box					
<p>ATEX: EPS 18 ATEX 1232 X II 2G Ex mb IIC T4 Gb II 2D Ex mb IIIC T130 °C Db</p> <p>IECEX: IECEX EPS 18.0110 X Ex mb IIC T4 Gb Ex mb IIIC T130 °C Db</p>	<p>ATEX: EPS 18 ATEX 1232 X II 2G Ex eb mb IIC T4 Gb II 2D Ex mb tb IIIC T130 °C Db</p> <p>IECEX: IECEX EPS 18.0110 X Ex eb mb IIC T4 Gb Ex mb tb IIIC T130 °C Db</p>					

3.5. North America (USA/Canada)

Approval	Description
	<p>Optional: UL Listed for the USA and Canada</p> <p>The products are UL Listed for the USA and Canada according to:</p> <ul style="list-style-type: none"> • UL 429 (electrically operated valves) • CAN/CSA-C22.2 No. 139 - 19
	<p>Optional (valid for coils): UL Hazardous Locations – Explosion Protection</p> <p>UL Listed for Hazardous Locations for USA and Canada</p> <p>Class I, Zone 1 Class I, Division 2, Group A, B, C and D Class II + III, Division 2, Group F and G</p>
	<p>Optional: UL Recognized for the USA and Canada</p> <p>The products are UL Recognized for the USA and Canada according to:</p> <ul style="list-style-type: none"> • UL 429 (electrically operated valves) • CAN/CSA-C22.2 No. 139 - 19

3.6. Drinking water

Conformity	Description
	<p>Suitable for use in drinking water applications</p> <p>The materials comply with the assessment principles (UBA) for materials in contact with drinking water (TrinkwasserV).</p> <p>Brass body/stainless steel body: PF36: Suitable for products with a maximum temperature of 60 °C (warm water)</p>


3.7. Foods and beverages/Hygiene

Conformity	Description
FDA	<p>FDA – Code of Federal Regulations (valid for the variable code PL03)</p> <p>All wetted materials are compliant with the Code of Federal Regulations published by the FDA (Food and Drug Administration, USA) according to the manufacturer's declaration.</p>
USP	<p>United States Pharmacopeial Convention (USP) (valid for the variable code PL04)</p> <p>All wetted materials are biocompatible according to the manufacturer's declaration.</p>

DTS 1000089742 EN Version: AQ Status: RL (released | freigegeben | valide) printed: 18.02.2025

3.8. Others


Oxygen

Conformity	Description
	Optional: Suitability for oxygen (valid for the variable code NL02) The products are suitable for use with gaseous oxygen, according to the manufacturer's declaration.



Fire protection on railway vehicles

Approval	Description
DIN EN 45545	Optional: Fire protection on railway vehicles in accordance with DIN EN 45545 applicable parts 2 and 5: requirements for fire behaviour of materials and components The products comply with the fire protection requirements in accordance with applicable parts 2 and 5 of DIN EN 45545 for use in the interior of railway vehicles for operating classes 1 - 3 (OC1 - 3) in conjunction with hazard levels 1 - 2 (HL1 - 2) in accordance with the manufacturer's declaration.

Safety shut-off valves

Approval	Description
	Safety shut-off valves as a piece of equipment with safety function according to DIN EN ISO 23553 - 1 (valid for the variable code PF15) The automatic and semi-automatic valves are suitable for use with oil, according to the manufacturer's declaration.

Fuel gases

Conformity	Description
	Fuel gases (valid for the variable code PO19) The products comply with: <ul style="list-style-type: none"> • Regulation (EU) 2016/426 – Appliances burning gaseous fuels and • DVGW DIN EN 161 (Automatic shut-off valves for gas burners and gas appliances) and • DIN EN 16678, Class A or Class D (Safety and control devices for gas burners and gas burning appliances – Automatic shut-off valves for operating pressure of above 500 kPa up to and including 6300 kPa)
	Optional: DIN EN 549:2023 - 07 certification The wetted valve seals are compliant with DIN EN 549:2023 - 07 (Rubber materials for seals and diaphragms for gas appliances and gas equipment) for medium temperatures of - 20 °C...+ 125 °C.

4. Materials

4.1. Bürkert resistApp



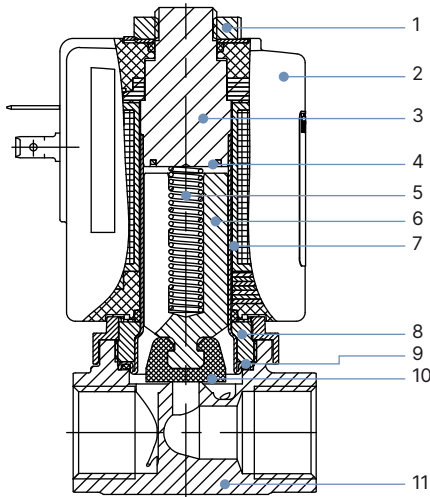
Bürkert resistApp – Chemical resistance chart

You want to ensure the reliability and durability of the materials in your individual application case? Verify your combination of media and materials on our website or in our resistApp.

[Start chemical resistance check](#)

4.2. Standard version

Elastomer seal version up to 30 bar



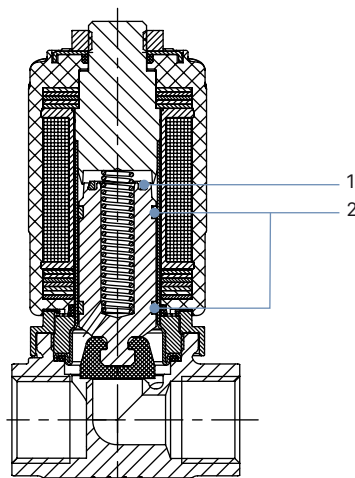
No.	Element	Material
1	Locknut	DIN 176 thick-film passivated or stainless steel
2	Coil	Epoxy
3	Stopper	Stainless steel 1.4113/434 ¹⁾
4	Shading ring	Copper (brass body) Silver (stainless steel body)
5	Spring	Stainless steel 1.4310/301 ¹⁾
6	Plunger	Stainless steel 1.4113/434 ¹⁾
7	Guide tube	Stainless steel 1.4303/305/308 ¹⁾
8	Nipple	Brass, stainless steel 1.4305/303 ¹⁾
9	Seal	FKM, PEEK (EPDM on request)
10	Seat seal	FKM (EPDM on request)
11	Housing	Brass, stainless steel 1.4404/316L ¹⁾ (CF3M)

1.) Material designation according to AISI

Version with increased lifespan (NF39)

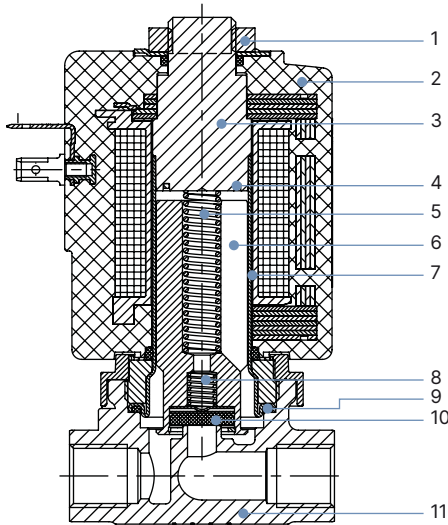
Note:

All parts are the same as standard, but with two additional parts as follows.



No.	Element	Material
1	Damping ring	PEEK
2	Glider	PTFE carbon filled

Version PTFE pendulum seal up to 100 bar



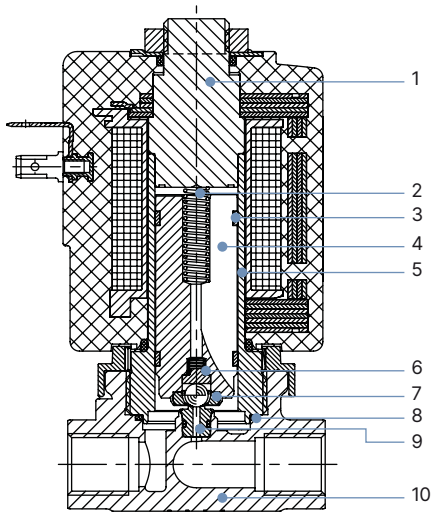
No.	Element	Material
1	Locknut	DIN 176 thick-film passivated or stainless steel
2	Coil	Epoxy
3	Stopper	Stainless steel 1.4113 ¹⁾
4	Shading ring	Silver (stainless steel body)
5	Spring	Stainless steel 1.4310/301 ¹⁾
6	Core	Stainless steel 1.4113/434 ¹⁾
7	Guide tube	Stainless steel 1.4303/305/308 ¹⁾
8	Spring	Stainless steel 1.4310/301 ¹⁾
9	Seat	FKM, PEEK (EPDM on request)
10	Seat seal	PTFE pendulum seal
11	Housing	Brass, stainless steel 1.4404/316L ¹⁾ (CF3M)

1.) Material designation according to AISI

4.3. High pressure version up to 250 bar or 160 bar

Note:

High pressure version from 135 bar, circuit function A



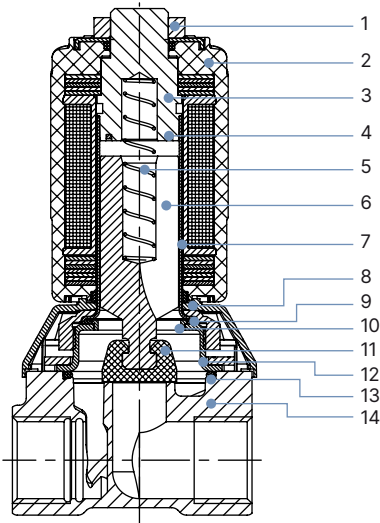
No.	Element	Material
1	Stopper	Stainless steel 1.4523/316 ¹⁾
2	Compression springs	Stainless steel 1.4310/301 ¹⁾
3	Glider	PTFE
4	Plunger	Stainless steel 1.4113/434 ¹⁾
5	Armature guide tube	Stainless steel 1.4571/316 Ti ¹⁾
6	Ball seat	Stainless steel 1.4305/303 ¹⁾
7	Seat seal	Ceramic ball
8	O-rings	FKM
9	Seat	PEEK
10	Housing	Stainless steel 1.4404/316L ¹⁾ (CF3M) only in 1/4" G and NPT

1.) Material designation according to AISI

DTS 1000089742 EN Version: AQ Status: RL (released | freigegeben | validé) printed: 18.02.2025

4.4. Version DN 13

Version DN 13 standard



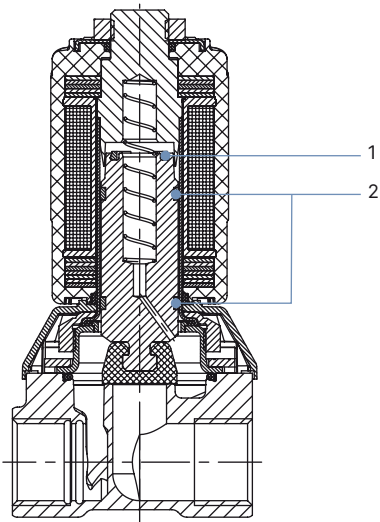
No.	Element	Material
1	Locknut	DIN 176 thick-film passivated or stainless steel
2	Coil	Epoxy
3	Stopper	Stainless steel 1.4113/434 ¹⁾
4	Shading ring	Copper (brass body) Silver (stainless steel body)
5	Spring	Stainless steel 1.4310/301 ¹⁾
6	Core	Stainless steel 1.4113/434 ¹⁾
7	Guide tube	Stainless steel 1.4303/305 ¹⁾ /308 ¹⁾
8	Hood	PA6
9	Seal	FKM, EPDM
10	Support ring	PPS Fortron
11	Core seal	FKM, EPDM, NBR
12	Cover	DN 10...DN 25 stainless steel 1.4301/304 ¹⁾
13	Seal	FKM, EPDM
14	Housing	Brass, stainless steel 1.4408/316 ¹⁾

1.) Material designation according to AISI

Version DN 13 with increased lifespan (NF39)

Note:

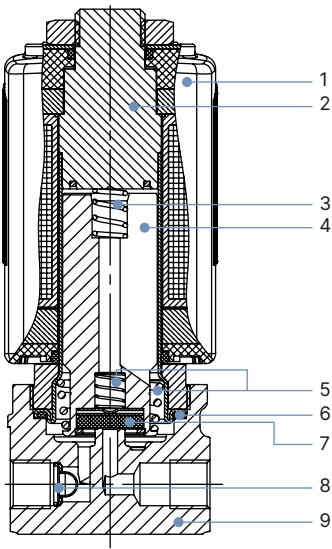
All parts are the same as standard, but with two additional parts as follows.



No.	Element	Material
1	Damping ring	PEEK
2	Glider	PTFE carbon filled

DTS 1000089742 EN Version: AQ Status: RL (released | freigegeben | validé) printed: 18.02.2025

4.5. Oil burner version (PF15)



No.	Element	Material
1	Coil	Epoxy
2	Stopper	Stainless steel 1.4113/434 ¹⁾
3	Spring	Stainless steel 1.4310/301 ¹⁾
4	Plunger	Stainless steel 1.4105/430F ¹⁾
5	Spring	Stainless steel 1.4310/301 ¹⁾
6	Seal ring	FKM
7	Seat seal	PTFE
8	Strainer	Stainless steel only DN 3 and DN 3.5
9	Valve body	Brass

1.) Material designation according to AISI

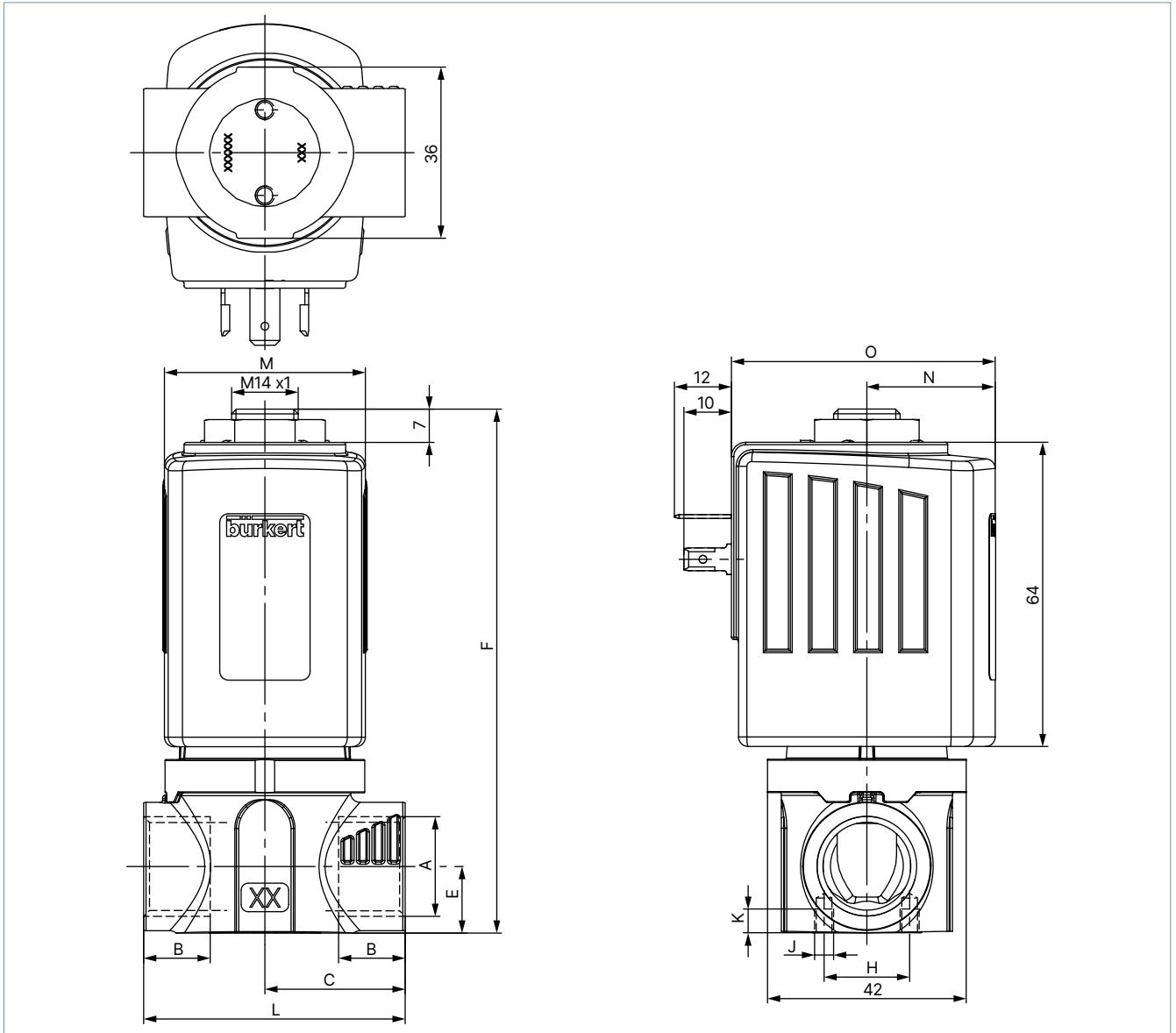
5. Dimensions

5.1. Standard version

Threaded version

Note:

Dimensions in mm



Version	A	B	C	E	F	H	J	K	L
		[mm]	[mm]	[mm]	[mm]	[mm]		[mm]	[mm]
Standard	Rc 1/2	13.2	29.5	14	110	18	M4	5	55
	NPT 1/2	13.7							
	G 1/2	14							
	Rc 3/8	10.1	27.5	12	108	18	M4	5	55
	NPT 3/8	10.3							
	G 3/8	12							
	Rc 1/4	9.7	27.5	10	105	18	M4	5	55
	NPT 1/4	10							
	G 1/4	12							

Version	A	B	C	E	F	H	J	K	L
		[mm]	[mm]	[mm]	[mm]	[mm]		[mm]	[mm]
AG39	G ½	14.5	37.5	14	110	–	–	–	75
	G ¾	12	37.5	14	110	–	–	–	75
AG48	G ¼	12	20	10	105	15	M5	7	40
	G ⅜	8	20	10	105	15	M5	7	40

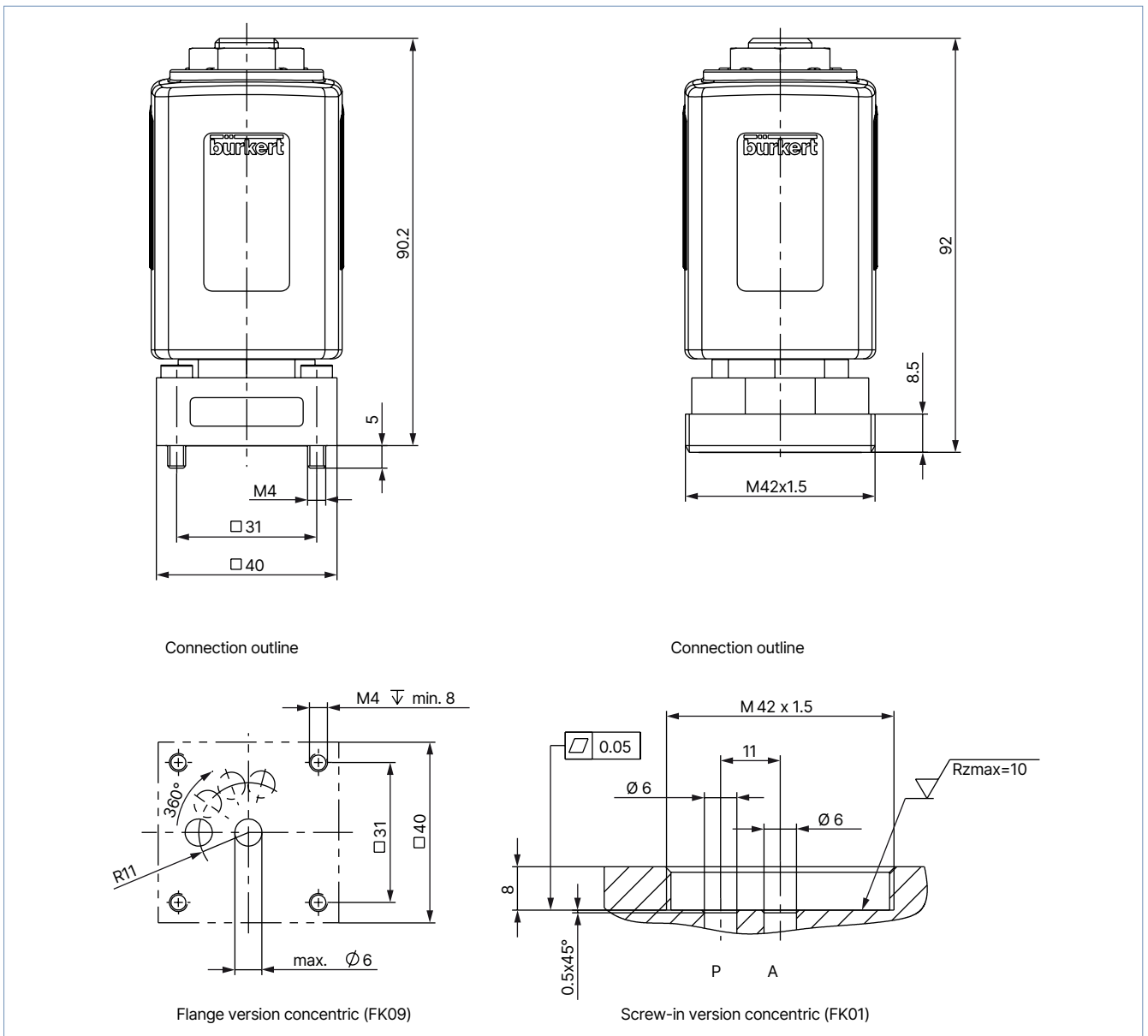
Coil size	M	N	O
	[mm]	[mm]	[mm]
L	65	37.5	72
K	42	27	55.5

Flange and screw-in version

Note:

Dimensions in mm

DTS 1000089742 EN Version: AQ Status: RL (released | freigegeben | validé) printed: 18.02.2025

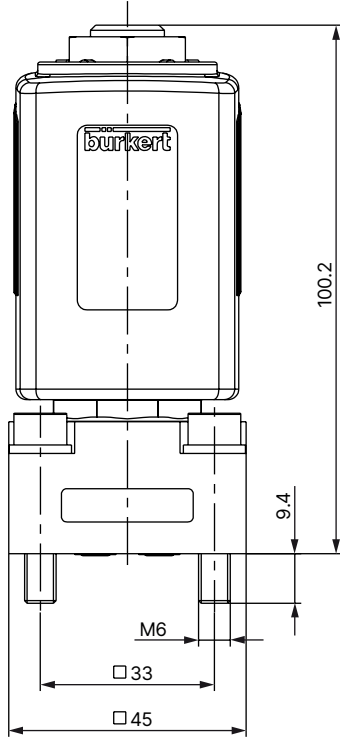


Flange and screw-in version high pressure up to 250 bar or 160 bar

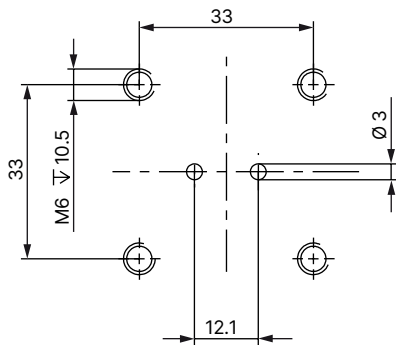
Note:

Dimensions in mm

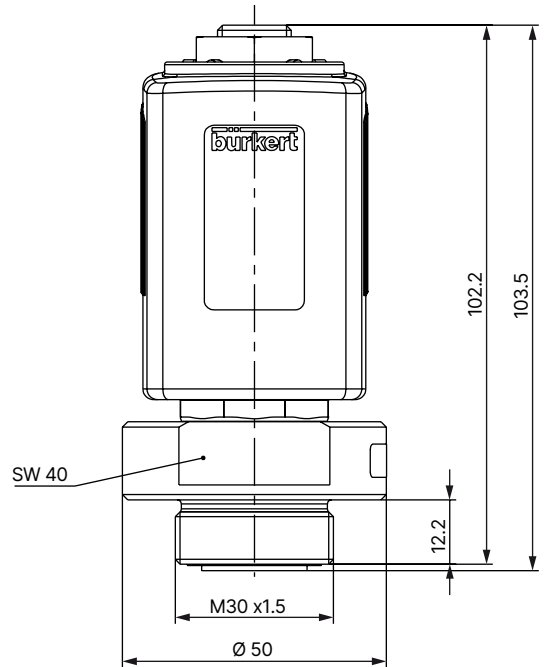
DTS 1000089742 EN Version: AQ Status: RL (released | freigegeben | validé) printed: 18.02.2025



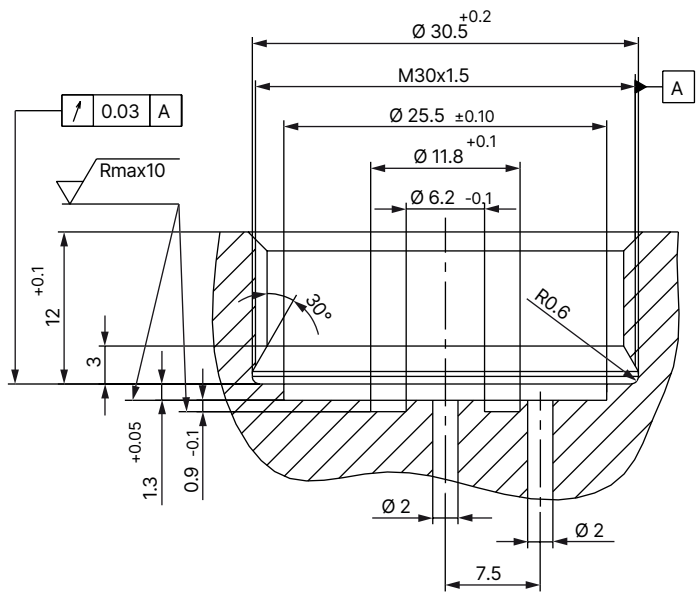
Connection outline



Flange version high pressure (FB50)



Connection outline
M 2:1

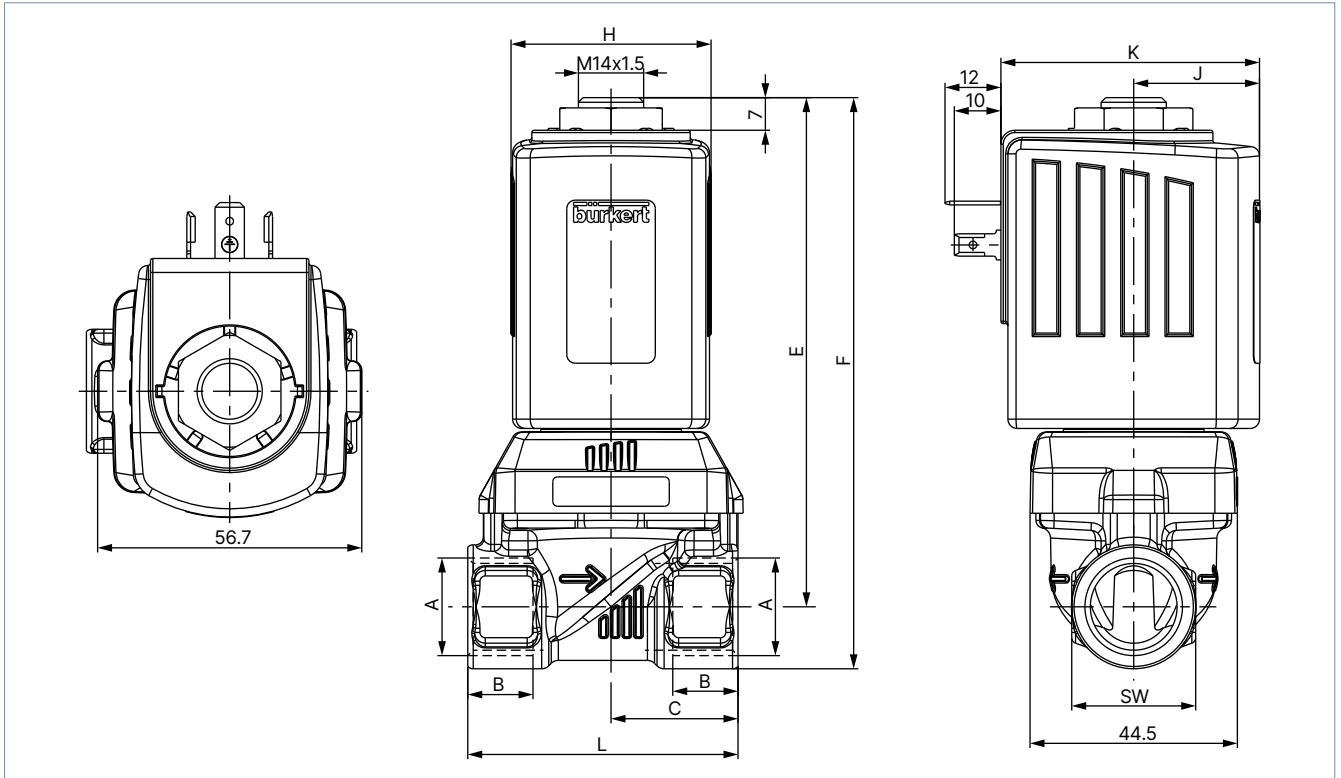


Screw-in version high pressure (FK12)

5.2. Version DN 13

Note:

Dimensions in mm



Body material	A	B	C	E	F	L	SW
		[mm]	[mm]	[mm]	[mm]	[mm]	[mm]
Brass / Stainless steel	Rc 3/4	14.5	32.5	111.3	127.3	65	32
	NPT 3/4	14					
	G 3/4	16					
Stainless steel	Rc 1/2	13.2	32.5	109.3	122.6	65	27
	NPT 1/2	13.7					
	G 1/2	14					
Brass	Rc 1/2	13.2	27.25	109.3	122.6	58	27
	NPT 1/2	13.7					
	G 1/2	14					

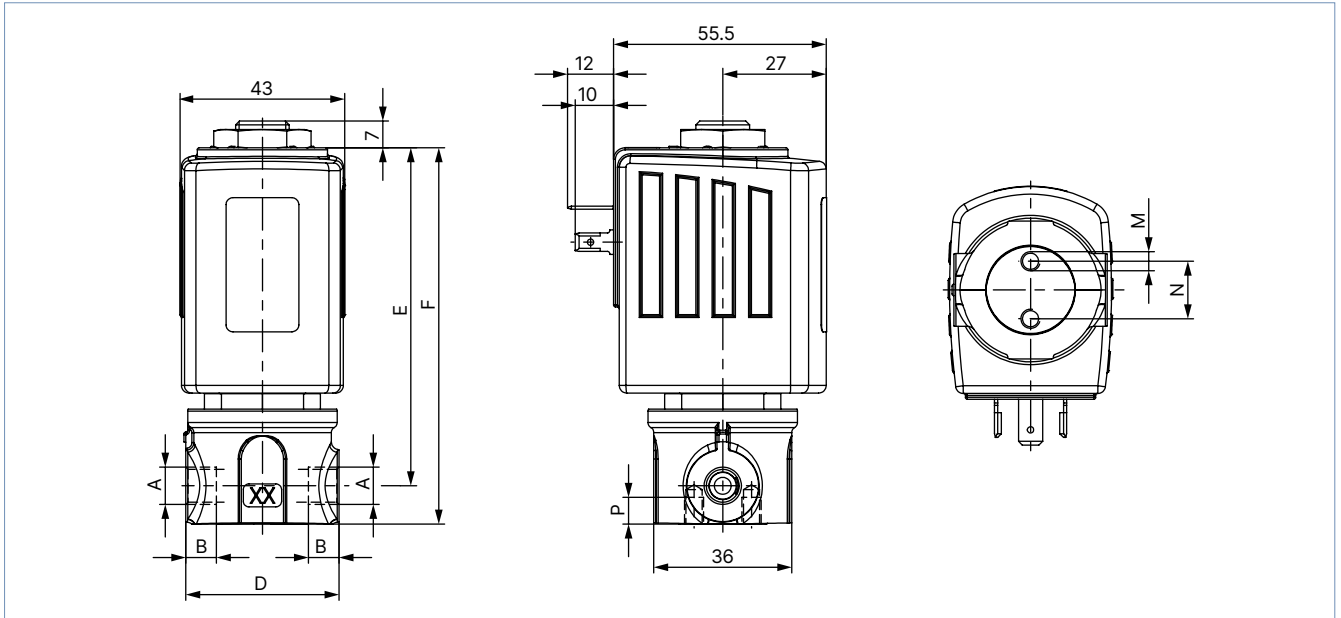
Coil size	H	J	K
	[mm]	[mm]	[mm]
L	65	37.5	72
K	42	27	55.5

DTS 1000089742 EN Version: AQ Status: RL (released | freigegeben | valide) printed: 18.02.2025

5.3. Oil burner version (PF15)

Note:

Dimensions in mm

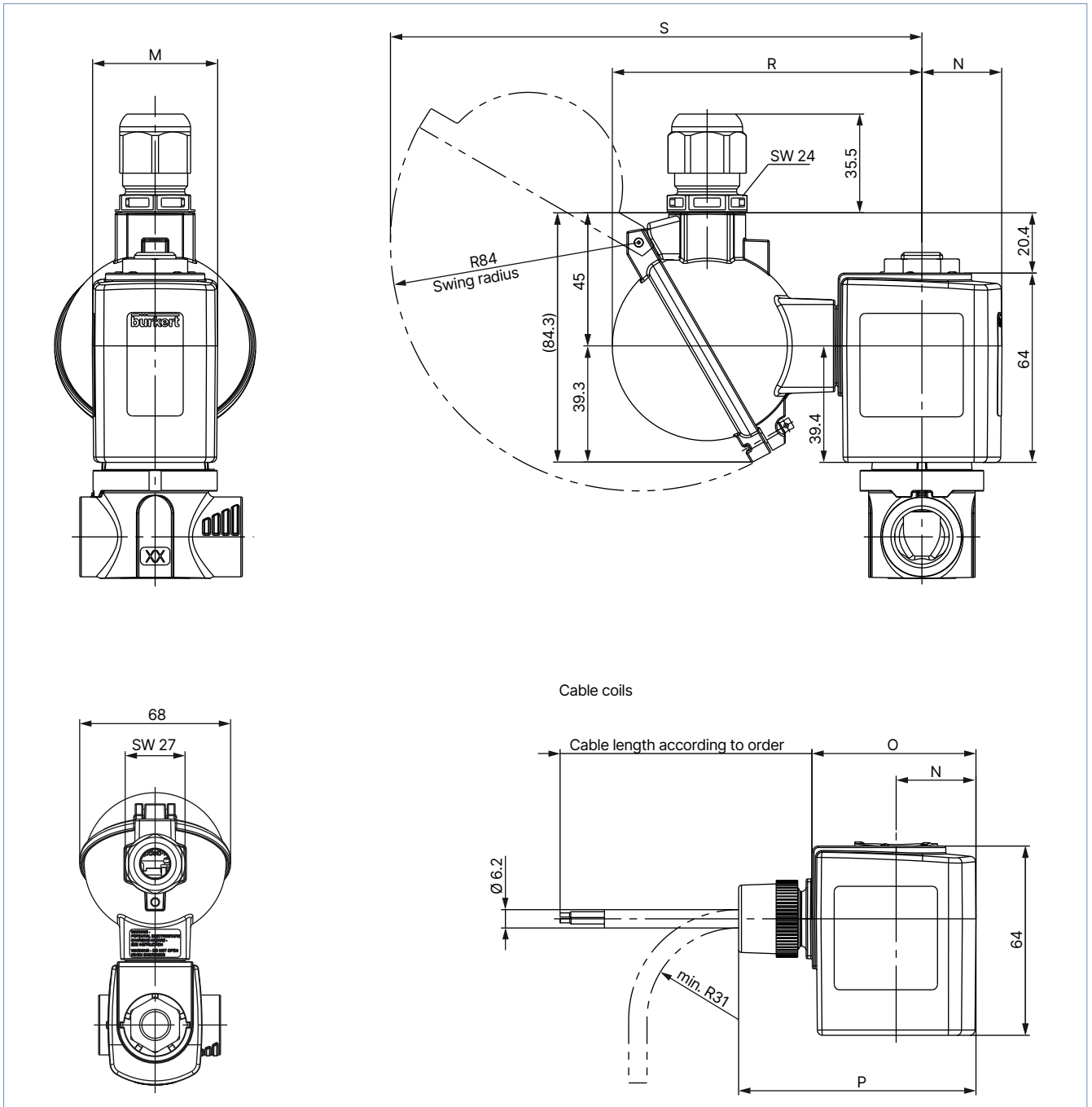


DN	Function	A	B	D	E	F	M	N	P	SW
			[mm]							
2.2	NO	G 1/8	8	40	88.2	98.2	M5	15	7	-
	NO	G 1/4	12							
3	NC	G 1/8	8	40	88.2	98.2	M5	15	7	-
3.5	NC	G 1/4	12	40	88.2	98.2	M5	15	7	-
10	NC	G 3/8	12	75	89.2	103.2	-	-	-	27
	NC	G 1/2	14.5							

5.4. UL Listed coil for hazardous locations, Class I, Division 2

Note:

- Dimensions in mm
- The dimensions only apply to the Ex version of the solenoid coil. See the versions listed above for all other dimensions.



DTS 1000089742 EN Version: AQ Status: RL (released | freigegeben | validé) printed: 18.02.2025

Coil size	M	N	O	P	R	S
	[mm]	[mm]	[mm]	[mm]	[mm]	[mm]
L	65	37.5	72	97	110.8	185.8
K	42	27	55.5	80.3	104.8	179.8

6. Performance specifications

6.1. Power consumption

Coil size	AC			DC		Kick and Drop coil AC/DC ¹⁾		
	Inrush power	Holding power		Cold performance	Warm performance	Cold performance inrush power	Cold performance holding power	Warm performance holding power
[mm]	[VA]	[VA]	[W]	[W]	[W]	[W] 500 ms	[W]	[W]
42 (K)	150	37	16	21	16	85	8.5	7
42 (K) ATEX	–	–	–	15	12	44	6.5	5.5
65 (L)	–	–	–	28	21	–	–	–

1.) Kick and Drop coil: Integrated electronics for short-term power increase and reduction in dual coil technology

6.2. Ambient temperatures with Kick and Drop coils

Coil type	Coil size	Maximum ambient temperatures ¹⁾ depending on the switching cycles per minute		
		Performance	30 switching cycles/min.	1 switching cycle/min.
AC10	40 (6)	20 W / 2 W	Max. + 70 °C	Max. + 85 °C
		65 W / 7 W	Max. + 55 °C	Max. + 70 °C

Coil type	Coil size	Maximum ambient temperatures ¹⁾ depending on the switching cycles per minute		
		Performance	10 switching cycles/min.	1 switching cycle/min.
AC19	42 (K)	44 W / 6.5 W	Max. + 65 °C	Max. + 70 °C
	42 (K) ATEX	44 W / 6.5 W	Max. + 65 °C	Max. + 70 °C
	42 (K)	85 W / 8.5 W	Max. + 55 °C	Max. + 60 °C


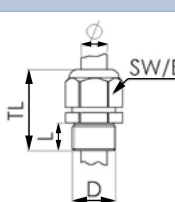

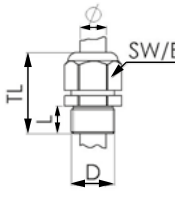
1.) The temperature specifications correspond to the specified switchable differential pressures. Higher temperatures are possible on request, depending on the differential pressure, duty cycle and number of switching operations

7. Product accessories

7.1. Cable glands for ATEX/IECEx terminal box

Note:

A polyamide cable gland is included in the scope of delivery. A nickel-plated brass version can be ordered for a surcharge, see [“Cable glands for ATEX/IECEx terminal box” on page 31.](#)

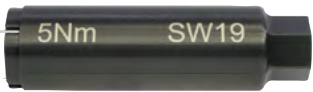
Description	Ex approvals		Dimensions										
	Certification	Identification											
Ex cable gland, Nickel-plated brass, 6...13 mm 	PTB 04 ATEX 1112 X, IECEx PTB 13.0027X	II 2 G Ex e IIC Gb, II 2 D Ex tb IIIC Db IP68	 <table border="1"> <tr><td>TL</td><td>29...37 mm</td></tr> <tr><td>L</td><td>6 mm</td></tr> <tr><td>D</td><td>20 mm</td></tr> <tr><td>SW</td><td>24 mm</td></tr> <tr><td>E</td><td>27 mm</td></tr> </table>	TL	29...37 mm	L	6 mm	D	20 mm	SW	24 mm	E	27 mm
TL	29...37 mm												
L	6 mm												
D	20 mm												
SW	24 mm												
E	27 mm												
Ex cable gland, Polyamide, 7...13 mm 	PTB 13 ATEX 1015 X, IECEx PTB 13.0034X	II 2 G Ex e IIC Gb, II 2 D Ex tb IIIC Db IP68	 <table border="1"> <tr><td>TL</td><td>36...45 mm</td></tr> <tr><td>L</td><td>10 mm</td></tr> <tr><td>D</td><td>20 mm</td></tr> <tr><td>SW</td><td>24 mm</td></tr> <tr><td>E</td><td>28 mm</td></tr> </table>	TL	36...45 mm	L	10 mm	D	20 mm	SW	24 mm	E	28 mm
TL	36...45 mm												
L	10 mm												
D	20 mm												
SW	24 mm												
E	28 mm												

DTS 1000089742 EN Version: AQ Status: RL (released | freigegeben | valide) printed: 18.02.2025

7.2. Special tool to turn the terminal box


Note:

This special tool is not included in the scope of delivery of the valve, see ["Cable glands for ATEX/IECEX terminal box"](#) on page 31.

Description	Components of the set
Set SC02-AC10 	<ul style="list-style-type: none"> • Special wrench • Service manual

8. Ordering information

8.1. Bürkert eShop




Bürkert eShop – Easy ordering and quick delivery

You want to find your desired Bürkert product or spare part quickly and order directly? Our online shop is available for you 24/7. Sign up and enjoy all the benefits.

[Order online now](#)

8.2. Bürkert product filter

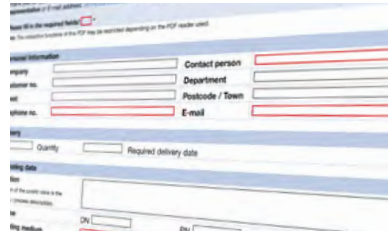


Bürkert product filter – Get quickly to the right product

You want to select products comfortably based on your technical requirements? Use the Bürkert product filter and find suitable articles for your application quickly and easily.

[Try out our product filter](#)

8.3. Bürkert Product Enquiry Form



Bürkert Product Enquiry Form – Your enquiry quickly and compactly

Would you like to make a specific product enquiry based on your technical requirements? Use our Product Enquiry Form for this purpose. There you will find all the relevant information for your Bürkert contact. This will enable us to provide you with the best possible advice.

[Fill out the form now](#)

DTS 1000089742 EN Version: AQ Status: RL (released | freigegeben | valide) printed: 18.02.2025

8.4. Ordering chart standard version elastomer seal up to 30 bar

Note:

Further variants with alternative voltages, NPT or RC inner thread, as flange or screw-in version, seal material EPDM/EPDM (only CF A) are available on request.

Circuit function	Port connection	Orifice [mm]	K _v value water [m³/h]	Pressure range						Article no.			
				Water		Oil		Air		024/DC [V/Hz]	024/50 [V/Hz]	230/50 [V/Hz]	
				DC [bar]	AC [bar]	DC [bar]	AC [bar]	DC [bar]	AC [bar]				
Housing material brass, G-inner thread, seal material FKM/FKM													
CF A 2/2-way solenoid valve Direct-acting Normally closed 	G ¼	3.0	0.28	0...30	0...25	0...30	0...25	0...30	0...30	178295 ₺	178296 ₺	178297 ₺	
		4.0	0.54	0...16	0...16	0...16	0...16	0...25	0...16	178299 ₺	178300 ₺	178301 ₺	
		5.0	0.73	0...8	0...10	0...6	0...10	0...8	0...10	178303 ₺	178304 ₺	178305 ₺	
		6.0	0.95	0...4	0...6	0...3	0...6	0...4	0...6	178307 ₺	178308 ₺	178309 ₺	
	G ⅜	3.0	0.28	0...30	0...25	0...30	0...25	0...30	0...30	178311 ₺	178312 ₺	178313 ₺	
		4.0	0.54	0...16	0...16	0...16	0...16	0...25	0...16	178315 ₺	178316 ₺	178317 ₺	
		5.0	0.73	0...8	0...10	0...6	0...10	0...8	0...10	178319 ₺	178320 ₺	178321 ₺	
		6.0	0.95	0...4	0...6	0...3	0...6	0...4	0...6	178323 ₺	178324 ₺	178325 ₺	
	G ½	6.0	0.95	0...4	0...6	0...3	0...6	0...4	0...6	178331 ₺	178332 ₺	178333 ₺	
		8.0	1.6	0...2	0...3	0...2	0...3	0...2	0...3.5	386836 ₺	178328 ₺	178329 ₺	
		8.0	1.6	0...2	0...3	0...2	0...3	0...2	0...3.5	386839 ₺	178336 ₺	178337 ₺	
		10.0	1.8	0...1.5	0...2	0...1.5	0...2	0...1.5	0...2	261254 ₺	178340 ₺	178341 ₺	
CF B 2/2-way solenoid valve Direct-acting Normally open 	G ¼	3.0	0.28	0...13	0...13	0...13	0...13	0...16	0...16	2001134 ₺	o. r.	2001136 ₺	
		4.0	0.54	0...10	0...10	0...10	0...10	0...10	0...10	2001146 ₺	o. r.	2001147 ₺	
		6.0	0.95	0...6	0...6	0...6	0...6	0...6	0...6	2001180 ₺	o. r.	2001181 ₺	
	G ⅜	6.0	0.95	0...6	0...6	0...6	0...6	0...6	0...6	2001183 ₺	2001182 ₺	2001184 ₺	
		8.0	1.6	0...3	0...3	0...3	0...3	0...3	0...3	228500 ₺	228501 ₺	228502 ₺	
	G ½	8.0	1.6	0...3	0...3	0...3	0...3	0...3	0...3	211916 ₺	228503 ₺	228504 ₺	
		10.0	1.8	0...2	0...2	0...2	0...2	0...2	0...2	210436 ₺	219530 ₺	210438 ₺	
	Housing material stainless steel, G-inner thread, seal material FKM/FKM												
	CF A 2/2-way solenoid valve Direct-acting Normally closed 	G ¼	3.0	0.28	0...30	0...25	0...30	0...25	0...30	0...30	178239 ₺	178240 ₺	178241 ₺
			4.0	0.54	0...16	0...16	0...16	0...16	0...25	0...16	178243 ₺	178244 ₺	178245 ₺
			5.0	0.73	0...8	0...10	0...6	0...10	0...8	0...10	178247 ₺	178248 ₺	178249 ₺
6.0			0.95	0...4	0...6	0...3	0...6	0...4	0...6	178251 ₺	178252 ₺	178253 ₺	
G ⅜		3.0	0.28	0...30	0...25	0...30	0...25	0...30	0...30	178255 ₺	178256 ₺	178257 ₺	
		4.0	0.54	0...16	0...16	0...16	0...16	0...25	0...16	178259 ₺	178260 ₺	178261 ₺	
		5.0	0.73	0...8	0...10	0...6	0...10	0...8	0...10	178263 ₺	178264 ₺	178265 ₺	
		6.0	0.95	0...4	0...6	0...3	0...6	0...4	0...6	178267 ₺	178268 ₺	178269 ₺	
G ½		6.0	0.95	0...4	0...6	0...3	0...6	0...4	0...6	386840 ₺	178272 ₺	178273 ₺	
		8.0	1.6	0...2	0...3	0...2	0...3	0...2	0...3.5	178275 ₺	178276 ₺	178277 ₺	
		8.0	1.6	0...2	0...3	0...2	0...3	0...2	0...3.5	298596 ₺	178280 ₺	178281 ₺	
		10.0	1.8	0...1.5	0...2	0...1.5	0...2	0...1.5	0...2	386841 ₺	178284 ₺	178285 ₺	
G ½	12.0	2	0...0.8	0...1.2	0...0.8	0...1.2	0...0.8	0...1.5	245067 ₺	178288 ₺	178289 ₺		
CF B 2/2-way solenoid valve Direct-acting Normally open 	G ¼	3.0	0.28	0...13	0...13	0...13	0...13	0...16	0...16	2001137 ₺	o. r.	2001139 ₺	
		4.0	0.54	0...10	0...10	0...10	0...10	0...10	0...10	2001151 ₺	o. r.	o. r.	
		6.0	0.95	0...6	0...6	0...6	0...6	0...6	0...6	2001189 ₺	o. r.	o. r.	
	G ⅜	6.0	0.95	0...6	0...6	0...6	0...6	0...6	0...6	2001192 ₺	2001191 ₺	2001193 ₺	
		8.0	1.6	0...3	0...3	0...3	0...3	0...3	0...3	230258 ₺	230259 ₺	230260 ₺	
	G ½	8.0	1.6	0...3	0...3	0...3	0...3	0...3	0...3	230261 ₺	230262 ₺	230263 ₺	
		10.0	1.8	0...2	0...2	0...2	0...2	0...2	0...2	225248 ₺	230264 ₺	230265 ₺	
		12.0	2	0...1	0...1	0...1	0...1	0...1	0...1	210441 ₺	230266 ₺	210321 ₺	

o. r. = on request

DTS 1000089742 EN Version: AQ Status: RL (released | freigegeben | valide) printed: 18.02.2025

Circuit function	Port connection	Orifice [mm]	K _v value water [m³/h]	Medium pressure Kick and Drop coil 44/6.5 W [bar]	Article no. Kick and Drop coil 44/6.5 W		Medium pressure Kick and Drop coil 85/8.5 W [bar]	Article no. Kick and Drop coil 85/8.5 W	
					024 / AC/ DC	230/AC		024 / AC/ DC	230/AC
					[V/Hz]	[V/Hz]		[V/Hz]	[V/Hz]
Housing material stainless steel, G-inner thread, seal material FKM/FKM									
CF A 2/2-way solenoid valve Direct-acting Normally closed 	G ¼	4.0	0.54	0...30	386726	386732	0...30	-	-
		5.0	0.73	0...10	386727	386733	0...25	386739	386745
		6.0	0.95	0...6	386728	386734	0...14	386740	386746
	G ½	8.0	1.6	0...3	386729	386735	0...6	386741	386747
		10.0	1.8	0...2	386730	386736	0...3.5	386742	386748
		12.0	2	0...1.2	386731	386737	0...2	386743	386749

- = not available

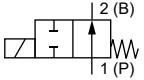
8.5. Ordering chart standard version pendulum seal up to 100 bar

Note:

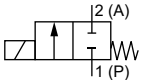
Further variants with alternative voltages, NPT or RC inner thread, as flange or screw-in version, seal material PTFE/FKM or PTFE/EPDM are available on request.

Circuit function	Port connection	Orifice [mm]	K _v value water [m³/h]	Pressure range						Article no.		
				Water		Oil		Air		024/DC [V/Hz]	024/50 [V/Hz]	230/50 [V/Hz]
				DC	AC	DC	AC	DC	AC			
Housing material brass, G-inner thread, seal material PTFE/PEEK												
CF A 2/2-way solenoid valve Direct-acting Normally closed 	G ¼	2.0	0.14	0...100	0...75	0...100	0...75	0...100	0...100	o. r.	o. r.	o. r.
		3.0	0.28	0...40	0...50	0...40	0...50	0...40	0...50	262435	o. r.	338571
		4.0	0.54	0...20	0...30	0...20	0...30	0...20	0...30	206367	o. r.	319934
		6.0	0.95	0...5	0...12	0...5	0...12	0...5	0...16	257403	o. r.	o. r.
	G ⅜	4.0	0.54	0...20	0...30	0...20	0...30	0...20	0...30	263995	331984	317310
		6.0	0.95	0...5	0...12	0...5	0...12	0...5	0...16	187966	o. r.	208842
		8.0	1.6	0...2	0...5	0...2	0...5	0...2	0...5	386842	o. r.	362254
		10.0	1.8	0...1.2	0...2	0...1.2	0...2	0...1.2	0...3	298916	o. r.	362210
	G ½	6.0	0.95	0...5	0...12	0...5	0...12	0...5	0...16	260425	o. r.	o. r.
		8.0	1.6	0...2	0...5	0...2	0...5	0...2	0...5	386843	o. r.	o. r.
		10.0	1.8	0...1.2	0...2	0...1.2	0...2	0...1.2	0...3	298916	o. r.	362210
		12.0	2	0...0.8	0...1.2	0...0.8	0...1.2	0...0.8	0...2	242932	227982	184705
Housing material brass, G-inner thread, seal material PTFE/PEEK												
CF B 2/2-way solenoid valve Direct-acting Normally open 	G ¼	2.0	0.14	0...30	0...30	0...30	0...30	0...30	0...30	o. r.	o. r.	o. r.
		3.0	0.28	0...16	0...16	0...16	0...16	0...16	0...16	20011131	o. r.	o. r.
		4.0	0.54	0...10	0...10	0...10	0...10	0...10	0...10	o. r.	o. r.	20011140
		6.0	0.95	0...6	0...6	0...6	0...6	0...6	0...6	o. r.	o. r.	o. r.
	G ⅜	4.0	0.54	0...10	0...10	0...10	0...10	0...10	0...10	o. r.	o. r.	o. r.
		6.0	0.95	0...6	0...6	0...6	0...6	0...6	0...6	20011160	o. r.	o. r.
		8.0	1.6	0...2	0...5	0...2	0...5	0...2	0...5	386853	o. r.	184699
		10.0	1.8	0...1.2	0...2	0...1.2	0...2	0...1.2	0...3	386845	o. r.	184702
	G ½	6.0	0.95	0...5	0...12	0...5	0...12	0...5	0...16	259348	o. r.	280481
		8.0	1.6	0...2	0...5	0...2	0...5	0...2	0...5	386854	o. r.	o. r.
		10.0	1.8	0...1.2	0...2	0...1.2	0...2	0...1.2	0...3	386845	o. r.	184702
		12.0	2	0...0.8	0...1.2	0...0.8	0...1.2	0...0.8	0...2	242932	227982	184705

DTS 1000089742 EN Version: AQ Status: RL (released | freigegeben | valide) printed: 18.02.2025

Circuit function	Port connection	Orifice [mm]	K _v value water [m³/h]	Pressure range						Article no.		
				Water		Oil		Air		024/DC	024/50	230/50
				DC	AC	DC	AC	DC	AC			
[bar]	[bar]	[bar]	[bar]	[bar]	[bar]	[V/Hz]	[V/Hz]	[V/Hz]				
CFB 2/2-way solenoid valve Direct-acting Normally open 	G ¼	1.5	0.07	0...60	0...60	0...60	0...60	0...60	0...60	20011122	o. r.	20011123
		2.0	0.14	0...30	0...30	0...30	0...30	0...30	0...30	20011130	o. r.	o. r.
		3.0	0.28	0...16	0...16	0...16	0...16	0...16	0...16	20011133	o. r.	o. r.
		4.0	0.54	0...10	0...10	0...10	0...10	0...10	0...10	20011141	o. r.	223726
	G ⅜	6.0	0.95	0...6	0...6	0...6	0...6	0...6	0...6	20011163	o. r.	o. r.
		4.0	0.54	0...10	0...10	0...10	0...10	0...10	0...10	o. r.	o. r.	o. r.
	G ½	6.0	0.95	0...6	0...6	0...6	0...6	0...6	0...6	20011164	o. r.	20011165
		6.0	0.95	0...6	0...6	0...6	0...6	0...6	0...6	o. r.	o. r.	o. r.

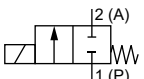
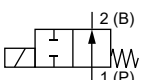
o. r. = on request

Circuit function	Port connection	Orifice [mm]	K _v value water [m³/h]	Medium pressure Kick and Drop coil 44/6.5 W [bar]	Article no. Kick and Drop coil 44/6.5 W		Medium pressure Kick and Drop coil 85/8.5 W [bar]	Article no. Kick and Drop coil 85/8.5 W	
					024 / AC / DC	230/AC		024 / AC / DC	230/AC
					[V/Hz]	[V/Hz]		[V/Hz]	[V/Hz]
Housing material stainless steel, G-inner thread, seal material PTFE/PEEK									
CF A 2/2-way solenoid valve Direct-acting Normally closed 	G ¼	3.0	0.28	0...50	386750	386756	0...80	386762	386768
		4.0	0.54	0...25	386751	386757	0...40	386763	386769
		6.0	0.95	0...6	386752	386758	0...12	386764	386770
	G ½	8.0	1.6	0...2.5	386753	386759	0...6	386765	386771
		10.0	1.8	0...1.5	386754	386760	0...3.5	386766	386772
		12.0	2	0...1.2	386755	386761	0...2	386767	386773

8.6. Ordering chart high pressure version up to 250 bar or 160 bar

Note:

Further variants with alternative voltages, NPT or RC inner thread, as flange or screw-in version, seal material PEEK/EPDM are available on request.

Circuit function	Port connection	Orifice [mm]	K _v value water [m³/h]	Pressure range						Article no.		
				Water		Oil		Air		024/DC	024/AC	230/AC
				DC	AC	DC	AC	DC	AC			
[bar]	[bar]	[bar]	[bar]	[bar]	[bar]	[bar]	[bar]	[V/Hz]	[V/Hz]	[V/Hz]		
Housing material stainless steel, G-inner thread, seal material PEEK/FKM, cable head with integrated rectifier for AC part of delivery												
High pressure version with ball sealing												
CF A 2/2-way solenoid valve Direct-acting Normally closed 	G ¼	1.0	0.03	0...250	0...250	0...250	0...250	0...250	0...250	265507	-	267229
				0...250	0...250	0...200	0...200	0...250	0...250	-	267226	-
		1.5	0.07	0...150	0...150	0...80	0...80	0...150	0...150	267217	-	267237
				0...150	0...150	0...70	0...70	0...150	0...150	-	267234	-
CFB 2/2-way solenoid valve Direct-acting Normally open 	G ¼	1.0	0.03	0...200	0...200	0...150	0...150	0...250	0...250	269823	267219	267239
		1.5	0.07	0...100	0...100	0...80	0...80	0...130	0...130	269824	267240	271269

- = not available

DTS 1000089742 EN Version: AQ Status: RL (released | freigegeben | valide) printed: 18.02.2025

8.7. Ordering chart version DN 13 with increased lifespan (NF39)

Note:

- Further variants with alternative voltages, stainless steel body, 3/4" connection, seal material EPDM/EPDM are available on request.
- The following applies to all subsequent values: orifice size 13 mm and K_v value water 4 m³/h.

Circuit function	Port connection	Orifice [mm]	K_v value water [m ³ /h]	Pressure range						Article no.		
				Water		Oil		Air		024/DC [V/Hz]	024/AC [V/Hz]	230/AC [V/Hz]
				DC [bar]	AC [bar]	DC [bar]	AC [bar]	DC [bar]	AC [bar]			
Housing material brass, seal material FKM/FKM												
For liquid and gaseous media												
CF A 2/2-way solenoid valve Direct-acting Normally closed 	G 1/2	13.0	3	0...0.15	0...0.15	0...0.15	0...0.15	0...0.15	0...0.15	315080	315082	315084
				0...0.75	–	0...0.75	–	0...0.75	–	315088	–	–
	NPT 1/2	13.0	3	0...0.15	0...0.15	0...0.15	0...0.15	0...0.15	0...0.15	315095	315097	315100
				0...0.75	–	0...0.75	–	0...0.75	–	315102	–	–

– = not available

8.8. Ordering chart DIN EN 161 (PO19) certification version

Note:

- Materials and dimensions for DN 4...DN 12 see "4.2. Standard version" on page 8, for DN 13 see "4.4. Version DN 13" on page 10.
- Further variants with alternative voltages, brass housing, 1/4" or 3/4" connection are available on request.

Circuit function	Port connection	Orifice [mm]	K_v value water [m ³ /h]	Pressure range		Seal material	Coil size [mm]	Article no.			
				Gas				024/DC [V/Hz]	024/AC [V/Hz]	230/AC [V/Hz]	
				DC [bar]	AC [bar]						
Housing material stainless steel, G-inner thread, seal material NBR/NBR or FKM/FKM optional, cable head with integrated rectifier for AC included.											
Automatic shut-off valves for gas burners with sliding rings and damping disk											
CF A 2/2-way solenoid valve Direct-acting Normally closed 	G 3/8	4.0	0.54	0...6	0...10	FKM	42	322103	o. r.	o. r.	
				0...15	–	NBR	65	322105	–	–	
	G 3/8	6.0	0.95	0...2.5	0...2.5	0...2.5	FKM	42	o. r.	o. r.	o. r.
					0...7.5	–	NBR	65	o. r.	–	–
	G 1/2	8.0	1.2	0...1.3	0...1.3	0...1.3	FKM	42	322107	o. r.	o. r.
					0...4	–	NBR	65	322109	–	–
	G 1/2	10.0	1.8	0...0.5	0...0.5	0...0.5	FKM	42	o. r.	o. r.	o. r.
					0...1.8	–	NBR	65	o. r.	–	–
	G 1/2	12.0	2.0	0...0.4	0...0.4	0...0.4	FKM	42	o. r.	o. r.	o. r.
					0...1.4	–	NBR	65	o. r.	–	–
	G 1/2	13.0	3.0	0...0.15	0...0.15	0...0.15	FKM	42	322110	o. r.	o. r.
					0...0.75	–	NBR	65	322112	–	–

o. r. = on request

– = not available

DTS 1000089742 EN Version: AQ Status: RL (released | freigegeben | valide) printed: 18.02.2025

Circuit function	Port connection	Orifice [mm]	K _v value water [m ³ /h]	Pressure range		Seal material	Coil size [mm]	Article no.	
				Gas	AC			024/DC [V/Hz]	230/50 [V/Hz]
				[bar]	[bar]				
Housing material brass, G-inner thread, seal material NBR/NBR									
Automatic shut-off valves for gas burners									
CF A 2/2-way solenoid valve Direct-acting Normally closed 	G 3/8	4.0	0.54	0...13		NBR	42	o. r.	322106 ☞
	G 1/2	6.0	0.95	0...5.5		NBR	42	o. r.	291453 ☞
	G 1/2	8.0	1.4	0...2.3		NBR	42	o. r.	270994 ☞
	G 1/2	10.0	1.8	0...1.3		NBR	42	o. r.	267347 ☞
	G 1/2	13.0	3.0	0...0.5		NBR	42	o. r.	-

o. r. = on request
 - = not available

8.9. Ordering chart oil burner version (PF15)

Flow valve/return valve combinations

If the oil burner is designed with a return nozzle and without a nozzle shut-off valve (see DIN EN 267), flow and return valves with safety shut-off function are required. The following combinations are possible:

Feed line valve				Return line valve			
Type	Orifice [mm]	Housing material	K _v value water [m ³ /h]	Type	Orifice [mm]	Housing material	K _v value water [m ³ /h]
6027	3	Brass/stainless steel	0.22	6027	3	Brass/stainless steel	0.18
6027	3.5	Brass/stainless steel	0.38	6027	3.5	Brass/stainless steel	0.35
5406 ¹⁾	13	Brass	3.5	6027	10	Brass	1.8
5406 ¹⁾	20	Stainless steel	6.3	5407 ²⁾	20	Stainless steel	4.7

- 1.) See data sheet **Type 5406** ► solenoid valve safety shut off valve for oil burner
- 2.) See data sheet **Type 5407** ► solenoid valve safety shut off valve for oil burner

Note:

Further variants with alternative voltages, frequencies and thread connections are available on request.

Circuit function	Port connection	Orifice [mm]	K _v value water [m ³ /h]	Appli- cations	Closing times [ms]	Electrical power		Pressure range		Article no.	
						Opera- tion [W]	Inrush [VA]	Oil		110...120/50 [V/Hz]	220...240/50 [V/Hz]
								Differ- ential pres- sure [bar]	Static pres- sure [bar]		
Housing material brass, G-inner thread, seal material PTFE/FKM											
DIN EN ISO 23553 - 1 Safety isolating equipment for liquid fuels PF15											
CF A 2/2-way solenoid valve Direct-acting Normally closed 	G 1/8	3.0	0.22 0.18	Feed line Return line	30	20	120	0...30	30	322828 ☞	322829 ☞
	G 1/4	3.0	0.22 0.18	Feed line Return line	30	20	120	0...30	30	o. r.	322830 ☞
		3.5	0.38	Feed line Return line	30	20	180	0...30	30	301016 ☞	284833 ☞
	G 3/8	10.0	2	Return line	50	20	180	-	30	o. r.	o. r.
	G 1/2	10.0	2	Return line	50	20	180	-	30	281947 ☞	281948 ☞

Circuit function	Port connection	Orifice	K _v value water	Applications	Closing times	Electrical power		Pressure range		Article no.	
						Operation	Inrush	Oil		110...120/50	220...240/50
								Differential pressure	Static pressure		
[mm]	[m ³ /h]	[ms]	[W]	[VA]	[bar]	[bar]	[V/Hz]	[V/Hz]			
CF B 2/2-way solenoid valve Direct-acting Normally open 	G ¼	2.2	0.16	circulation line	30	20	120	0...30	30	301018 ㉞	261036 ㉞

o. r. = on request

8.10. Ordering charts ATEX/IECEx version with 3 meter cable

Standard version with elastomer seal up to 30 bar

Note:

- Further variants with normally open, alternative voltages, stainless steel body, NPT- or RC-inner thread, seal material EPDM/EPDM are available on request.
- The Kick and Drop coil features integrated electronics for short-term power increase and decrease in double-coil technology.

Circuit function	Port connection	Orifice	K _v value water	Medium pressure standard	Article no.		Medium pressure Kick and Drop coil	Article no. Kick and Drop coil	
					024 / AC / DC	230 / AC / DC		024 / AC / DC	230 / AC
					[V/Hz]	[V/Hz]		[V/Hz]	[V/Hz]
[mm]	[m ³ /h]	[bar]	[V/Hz]	[V/Hz]	[bar]	[V/Hz]	[V/Hz]		
Body material brass with G-inner thread, seal material FKM/FKM									
CF A 2/2-way solenoid valve Direct-acting Normally closed 	G ¼	3.0	0.28	0...30	o. r.	o. r.	0...30	o. r.	o. r.
		4.0	0.54	0...10	o. r.	o. r.	0...30	o. r.	o. r.
		5.0	0.73	0...3	o. r.	380761 ㉞	0...10	o. r.	o. r.
		6.0	0.95	0...1.5	o. r.	380769 ㉞	0...6	o. r.	o. r.
	G ½	8.0	1.6	0...1	o. r.	o. r.	0...3	380779 ㉞	380780 ㉞
		10.0	1.8	0...0.6	380786 ㉞	380787 ㉞	0...2	o. r.	o. r.

o. r. = on request

DTS 1000089742 EN Version: AQ Status: RL (released | freigegeben | validé) printed: 18.02.2025

Standard version with pendulum seal up to 100 bar

Note:

- Further variants with normally open, alternative voltages, brass housing, NPT- or RC-inner thread, seal material PTFE/FKM or PTFE/EPDM are available on request.
- The Kick and Drop coil features integrated electronics for short-term power increase and decrease in double-coil technology.

Circuit function	Port connection	Orifice [mm]	K _v value water [m ³ /h]	Medium pressure standard [bar]	Article no.		Medium pressure Kick and Drop coil [bar]	Article no. Kick and Drop coil	
					024 / AC / DC	230 / AC / DC		024 / AC / DC	230 / AC
					[V/Hz]	[V/Hz]		[V/Hz]	[V/Hz]
Body material stainless steel with G-inner thread, seal material PTFE/PEEK									
CF A 2/2-way solenoid valve Direct-acting Normally closed 	G ¼	2.0	0.14	0...60	380720 ☞	380722 ☞	0...100	o. r.	o. r.
		3.0	0.28	0...20	380734 ☞	o. r.	0...50	o. r.	o. r.
		4.0	0.54	0...8	380751 ☞	o. r.	0...25	o. r.	o. r.
	G ½	6.0	0.73	0...1.5	380765 ☞	380766 ☞	0...6	o. r.	o. r.
		8.0	0.95	0...0.8	o. r.	o. r.	0...2.5	o. r.	o. r.
		10.0	1.6	0...0.5	o. r.	o. r.	0...1.5	o. r.	o. r.
12.0	1.8	0...0.3	o. r.	o. r.	0...1.2	o. r.	o. r.		

o. r. = on request

Version DN 13

Note:

- Further variants with alternative voltages, stainless steel body, NPT- and RC-inner thread, ¾" connection, seal material EPDM/EPDM or PTFE/PEEK are available on request.
- The Kick and Drop coil features integrated electronics for short-term power increase and decrease in double-coil technology.

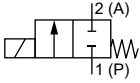
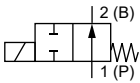
Circuit function	Port connection	Orifice [mm]	K _v value water [m ³ /h]	Medium pressure Kick and Drop coil [bar]	Article no. Kick and Drop coil	
					024 / AC / DC	230 / AC
					[V/Hz]	[V/Hz]
Body material brass with G-inner thread, seal material FKM/FKM						
CF A 2/2-way solenoid valve Direct-acting Normally closed 	G ½	13.0	4	0...0.5	380791 ☞	380793 ☞

DTS 1000089742 EN Version: AQ Status: RL (released | freigegeben | valide) printed: 18.02.2025

High pressure version up to 250 bar or 160 bar

Note:

- Further variants with alternative voltages, NPT- and RC-inner thread, seal material PEEK/EPDM are available on request.
- The Kick and Drop coil features integrated electronics for short-term power increase and decrease in double-coil technology.

Circuit function	Port connection	Orifice [mm]	K _v value water [m³/h]	Medium pressure standard			Article no.		Medium pressure Kick and Drop coil			Article no. Kick and Drop coil	
				Water	Oil	Air	024 / AC/DC	230 / AC/DC	Water	Oil	Air	024 / AC/DC	230 / AC
				[bar]	[bar]	[bar]	[V/Hz]	[V/Hz]	[bar]	[bar]	[bar]	[V/Hz]	[V/Hz]
Body material stainless steel with G-inner thread, seal material PEEK/FKM													
CF A 2/2-way solenoid valve Direct-acting Normally closed 	G ¼	1.0	0.03	0...200	0...150	0...250	380702 ☞	380706 ☞	0...250	0...250	0...250	380704 ☞	o. r.
		1.5	0.07	0...80	0...40	0...100	380708 ☞	380709 ☞	0...160	0...160	0...160	o. r.	o. r.
CF B 2/2-way solenoid valve Direct-acting Normally open 	G ¼	1.0	0.03	-	-	-	-	-	0...200	0...160	0...250	380794 ☞	o. r.
		1.5	0.07	-	-	-	-	-	0...100	0...80	0...130	o. r.	o. r.

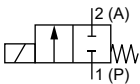
o. r. = on request
- = not available

8.11. Ordering chart ATEX/IECEx version clamp terminal box

Standard version with elastomer seal up to 30 bar

Note:

- Further variants with normally open, alternative voltages, stainless steel body, NPT- or RC-inner thread, seal material EPDM/EPDM are available on request.
- The Kick and Drop coil features integrated electronics for short-term power increase and decrease in double-coil technology.

Circuit function	Port connection	Orifice [mm]	K _v value water [m³/h]	Medium pressure standard [bar]	Article no.		Medium pressure Kick and Drop coil [bar]	Article no. Kick and Drop coil	
					024 / AC/DC	230 / AC/DC		024 / AC/DC	230 / AC
					[V/Hz]	[V/Hz]		[V/Hz]	[V/Hz]
Body material brass with G-inner thread, seal material FKM/FKM									
CF A 2/2-way solenoid valve Direct-acting Normally closed 	G ¼	3.0	0.28	0...30	o. r.	o. r.	0...30	o. r.	o. r.
		4.0	0.54	0...10	o. r.	o. r.	0...30	380753 ☞	o. r.
		5.0	0.73	0...3	380759 ☞	380760 ☞	0...10	o. r.	o. r.
	G ½	6.0	0.95	0...1.5	380770 ☞	380771 ☞	0...6	o. r.	o. r.
		8.0	1.6	0...1	o. r.	o. r.	0...3	o. r.	o. r.
		10.0	1.8	0...0.6	380785 ☞	380802 ☞	0...2	o. r.	o. r.

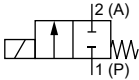
o. r. = on request

DTS 1000089742 EN Version: AQ Status: RL (released | freigegeben | validé) printed: 18.02.2025

Standard version with pendulum seal up to 100 bar

Note:

- Further variants with normally open, alternative voltages, brass housing, NPT- or RC-inner thread, seal material PTFE/FKM or PTFE/EPDM are available on request.
- The Kick and Drop coil features integrated electronics for short-term power increase and decrease in double-coil technology.

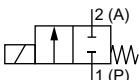
Circuit function	Port connection	Orifice [mm]	K _v value water [m ³ /h]	Medium pressure standard [bar]	Article no.		Medium pressure Kick and Drop coil [bar]	Article no. Kick and Drop coil	
					024 / AC/ DC	230 / AC/ DC		024 / AC/ DC	230 / AC
					[V/Hz]	[V/Hz]		[V/Hz]	[V/Hz]
Body material stainless steel with G-inner thread, seal material PTFE/PEEK									
CF A 2/2-way solenoid valve Direct-acting Normally closed 	G ¼	2.0	0.14	0...60	380719 ☞	380721 ☞	0...100	o. r.	o. r.
		3.0	0.28	0...20	380733 ☞	o. r.	0...50	o. r.	o. r.
		4.0	0.54	0...8	380750 ☞	o. r.	0...25	o. r.	o. r.
	G ½	6.0	0.73	0...1.5	o. r.	o. r.	0...6	o. r.	o. r.
		8.0	0.95	0...0.8	380777 ☞	o. r.	0...2.5	o. r.	o. r.
		10.0	1.6	0...0.5	o. r.	o. r.	0...1.5	o. r.	o. r.
		12.0	1.8	0...0.3	o. r.	o. r.	0...1.2	o. r.	o. r.

o. r. = on request

Version DN 13

Note:

- Further variants with alternative voltages, stainless steel body, NPT- and RC-inner thread, ¾" connection, seal material EPDM/EPDM or PTFE/PEEK are available on request.
- The Kick and Drop coil features integrated electronics for short-term power increase and decrease in double-coil technology.

Circuit function	Port connection	Orifice [mm]	K _v value water [m ³ /h]	Medium pressure Kick and Drop coil [bar]	Article no. Kick and Drop coil	
					024 / AC/DC	230 / AC
					[V/Hz]	[V/Hz]
Body material brass with G-inner thread, seal material FKM/FKM						
CF A 2/2-way solenoid valve Direct-acting Normally closed 	G ½	13.0	4	0...0.5	380790 ☞	380792 ☞

DTS 1000089742 EN Version: AQ Status: RL (released | freigegeben | valide) printed: 18.02.2025

High pressure version up to 250 bar or 160 bar

Note:

- Further variants with alternative voltages, NPT- and RC-inner thread, seal material PEEK/EPDM are available on request.
- The Kick and Drop coil features integrated electronics for short-term power increase and decrease in double-coil technology.

Circuit function	Port connection	Orifice [mm]	K _v value water [m³/h]	Medium pressure standard			Article no.		Medium pressure Kick and Drop coil			Article no. Kick and Drop coil	
				Water	Oil	Air	024 / AC/DC	230 / AC/DC	Water	Oil	Air	024 / AC/DC	230 / AC
				[bar]	[bar]	[bar]	[V/Hz]	[V/Hz]	[bar]	[bar]	[bar]	[V/Hz]	[V/Hz]
Body material stainless steel with G-inner thread, seal material PEEK/FKM													
CF A 2/2-way solenoid valve Direct-acting Normally closed 	G ¼	1.0	0.03	0...200	0...150	0...250	o. r.	380705 𐀀	0...250	0...250	0...250	380703 𐀀	o. r.
		1.5	0.07	0...80	0...40	0...100	o. r.	o. r.	0...160	0...160	0...160	o. r.	o. r.
CF B 2/2-way solenoid valve Direct-acting Normally open 	G ¼	1.0	0.03	-	-	-	-	-	0...200	0...160	0...250	380803 𐀀	o. r.
		1.5	0.07	-	-	-	-	-	0...100	0...80	0...130	o. r.	o. r.

o. r. = on request
 - = not available

Further versions on request	
Approval Further information can be found in chapter "3. Approvals and conformities" on page 5.	Temperature Special temperature ranges
Process connection <ul style="list-style-type: none"> • NPT • RC 	Voltage 110/50 and further non-standard voltages


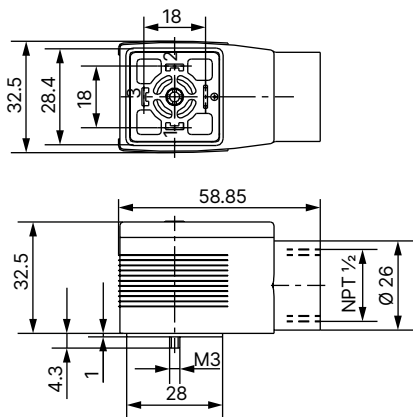
DTS 1000089742 EN Version: AQ Status: RL (released | freigegeben | validé) printed: 18.02.2025

8.12. Ordering chart accessories

Cable plug Type 2509, form A according to DIN EN 175301 - 803

Note:


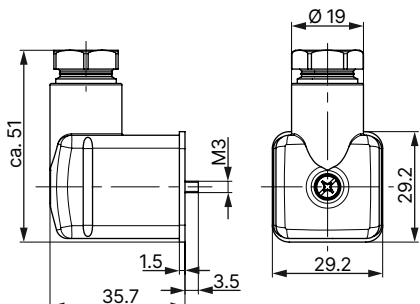
- Dimensions in mm
- Without circuitry (standard)
- The cable plug Type 2509 meets the requirements in accordance with ATEX Cat. 3 GD in assembly with a Bürkert solenoid valve.
- The cable plug Type 2509 meets the requirements in accordance with UL Listed (UL 429) in assembly with a Bürkert solenoid valve.
- Refer to data sheet **Type 2509** ▶ for more information about the cable plug.

Cable plug	Dimensions	Version	Voltage	Article no.
		Without circuitry	0...250 V AC/DC	137943 𐀀

Cable plug Type 2518, form A according to DIN EN 175301 - 803

Note:

- Dimensions in mm
- For further versions see data sheet **Type 2518** ▶.

Cable plug	Dimensions	Version	Voltage	Article no.
		Without circuitry (AC/DC)	0...250 V AC/DC	314802 𐀀
		With LED (AC/DC)	12...24 V AC/DC	314812 𐀀
		With LED and varistor (AC/DC)	12...24 V AC/DC	314820 𐀀
		With rectifier, LED and varistor	12...24 V AC/DC	314816 𐀀
		Without circuitry (AC/DC) with silicone seal for higher ambient temperature, e.g. steam version (NA07)	0...250 V AC/DC	361687 𐀀

DTS 1000089742 EN Version: AQ Status: RL (released | freigegeben | validé) printed: 18.02.2025

Cable glands for ATEX/IECEX terminal box

Note:

- A cable gland in polyamide version is included in the delivery. A nickel-plated brass version can be ordered at surcharge.
- Refer to **"7.1. Cable glands for ATEX/IECEX terminal box"** on page 18 for more information about Ex cable glands.
- Refer to **"7.2. Special tool to turn the terminal box"** on page 19 for more information about special wrench.

Description	Article no.
Ex cable gland, nickel-plated brass, 6..13 mm ¹⁾	773278 𐀀
Ex cable gland, polyamide, 7..13 mm ¹⁾	773277 𐀀
Set SC02-AC10: special wrench ²⁾ incl. service manual	293488 𐀀

1.) Cable diameter

2.) Not included in the scope of delivery of the valve

Mounting bracket

Note:

- The mounting bracket, two cylinder screws M4×8 and two spring rings are included in the scope of delivery.
- The mounting bracket can be used for all standard and high-pressure versions, including ATEX/IECEX and DIN EN 161 option up to orifice size 12 mm.
- The mounting bracket cannot be used for oil burner versions, DN 13 versions and various special bodies made of solid material.

Description	Article no.
Mounting bracket for Type 6020/6027/6240/6440	282304 𐀀



DTS 1000089742 EN Version: AQ Status: RL (released | freigegeben | validé) printed: 18.02.2025