






Plunger valve 3/2-way direct-acting

- Direct-acting, compact valve with diameter of up to DN 2.5
- Vibration-proof, bolted coil system
- Banjo threaded connection for direct mounting on pneumatic valves
- Explosion proof versions
- Energy-saving version with Kick and Drop available

Product variants described in the data sheet may differ from the product presentation and description.

Can be combined with

	Type 2518 Cable plug, form A according to DIN EN 175301-803	▶
	Type 1087 Timer, form A according to DIN EN 175301-803	▶
	Type 2509 Cable plug, form A according to DIN EN 175301-803	▶

Type description

Valve 6014 is a direct-acting plunger valve. The stopper and core guide tube are welded together to enhance pressure resistance and leak-tightness. Various seal material combinations are available depending on the application. A Bürkert-specific flange design (SFB) enables space-saving arrangement of valves on a manifold. Kick and Drop coils are available for the reduction of electrical power consumption during operation.

Table of contents

1. General technical data	4
2. Circuit functions	5
3. Approvals and conformities	5
3.1. General notes	5
3.2. Conformity	5
3.3. Standards	5
3.4. Explosion protection.....	6
3.5. North America (USA/Canada)	6
3.6. Drinking water	7
3.7. Foods and beverages/Hygiene	7
3.8. Others	7
DNV GL classification.....	7
Fire protection on railway vehicles	8
4. Materials	8
4.1. Bürkert resistApp	8
4.2. Material specifications	8
Standard version.....	8
Banjo version	9
Coil UL Listed (cULus) for hazardous locations, Class I, Division 2, cable version.....	9
Coil UL Listed (cULus) for hazardous locations, Class I, Division 2, terminal box version	10
5. Dimensions	11
5.1. Standard version.....	11
Pin assignment.....	12
5.2. Banjo version	12
With 76 mm banjo bolt.....	12
With 60 mm banjo bolt.....	13
5.3. Coil UL Listed (cULus) for hazardous locations, Class I, Division 2, cable version.....	14
5.4. Coil UL Listed (cULus) for hazardous locations, Class I, Division 2, terminal box version	15
5.5. Single manifold	16
5.6. Multiple manifold.....	16
5.7. Manifolds for block mounting.....	17
6. Performance specifications	17
6.1. Power consumption	17
6.2. Utilisation in another circuit function.....	17
6.3. Electrical data explosion-proof version EEx ia	18
7. Product installation	18
7.1. Installation notes.....	18
Control for impulse version with polarity reversal control	18
8. Product accessories	19
8.1. Cable glands for terminal box (UL Listed for hazardous locations, Class I, Division 2)	19
8.2. Special tool to turn the terminal box	19

DTS 1000582183 EN Version: E Status: RL (released | freigegeben | validé) printed: 18.02.2025

9. Ordering information	20
9.1. Bürkert eShop	20
9.2. Bürkert product filter	20
9.3. Bürkert Product Enquiry Form	20
9.4. Ordering chart	21
UL Recognized	21
UL Listed	23
UL Recognized banjo version	26
Coil UL Listed (cULus) for hazardous locations, Class I, Division 2	26
9.5. Ordering chart accessories	28
Singel manifold	28
Multiple manifold	28
Cable plug Type 2509, form A according to DIN EN 175301 - 803	28
Cable plug Type 2518, form A according to DIN EN 175301 - 803	28
Cable glands for ATEX/IECEX terminal box	29

DTS 1000582183 EN Version: E Status: RL (released | freigegeben | valide) printed: 18.02.2025

1. General technical data

Product properties	
Dimensions	Further information can be found in chapter "5. Dimensions" on page 11.
Material	
Seal	FKM (EPDM on request)
Body	Brass or stainless steel 1.4305/303, polyamide (sub-base)
Coil	Polyamide (epoxy on request)
Nominal diameter	DN 1.5...DN 2.5
Circuit function	C, D and T Further information can be found in chapter "2. Circuit functions" on page 5.
Thermal insulation class of solenoid coil	Polyamide coil class B Epoxy coil class H
Performance data	
Duty cycle/single valve with block assembly	100 % continuous operation Intermittent operation 60 % (30 min) or with 5 W coil (on request)
Electrical data	
Operating voltage	24 V DC, 24 V 50 Hz, 24 V 60 Hz, 110 V 50 Hz, 120 V 60 Hz, 230 V 50 Hz, 240 V 60 Hz (other voltages on request)
Power consumption	Further information can be found in chapter "6.1. Power consumption" on page 17.
Voltage tolerance	± 10 %
Medium data	
Operating medium	Technical vacuum, neutral gases and liquids (e.g. compressed air, town gas, natural gas, water, hydraulic oil, petrol)
Medium temperature	
With FKM	14 °F...+ 212 °F (PA coil), 14 °F...+ 248 °F (epoxy coil), - 40 °F on request
With PTFE/Graphite	- 40 °F...+ 356 °F (further information can be found in chapter "4.1. Bürkert resistApp" on page 8)
With FKM, circuit function B	14 °F...212 °F (AC), 50 °F...248 °F (DC)
Viscosity	Max. 21 cSt
Process/Port connection & communication	
Electrical connection	<ul style="list-style-type: none"> Plug contacts according to DIN EN 175 301 - 803 form A for cable plug Type 2518 ▶. Further information can be found in chapter "Cable plug Type 2518, form A according to DIN EN 175301 - 803" on page 28. Plug contacts according to DIN EN 175 301 - 803 form A for cable plug Type 2509 ▶. Further information can be found in chapter "Cable plug Type 2509, form A according to DIN EN 175301 - 803" on page 28. ATEX/IECEx version with 3 m moulded cable or terminal box
Port connection	G 1/8, G 1/4, NPT 1/8, NPT 1/4, sub-base (SFB)
Approvals and conformities	
Degree of protection	IP65 with cable plug Type 2518 ▶ NEMA 4X with cable plug Type 2509 ▶ with stainless steel versions UL HazLoc Class I, Div 2 with terminal box or cable connection version
Explosion protection	Further information can be found in chapter "3.4. Explosion protection" on page 6.
North America (USA/Canada)	Further information can be found in chapter "3.5. North America (USA/Canada)" on page 6.
Drinking water	Further information can be found in chapter "3.6. Drinking water" on page 7.
Foods and beverages/Hygiene	Further information can be found in chapter "3.7. Foods and beverages/Hygiene" on page 7.
Others	Further information can be found in chapter "3.8. Others" on page 7.
Environment and installation	
Installation position	As required, preferably with actuator upright
Ambient temperature	Max. + 131 °F

2. Circuit functions

Symbol	Description
	Circuit function C (CF C) 3/2-way solenoid valve Direct-acting Normally closed
	Circuit function D (CF D) 3/2-way solenoid valve Direct-acting Normally open
	Circuit function T (CF T) 3/2-way solenoid valve Direct-acting Flow direction optional Normally closed

3. Approvals and conformities

3.1. General notes

- The approvals and conformities listed below must be stated when making enquiries. This is the only way to ensure that the product complies with all required specifications.
- Not all available versions can be supplied with the below mentioned approvals or conformities.



3.2. Conformity

In accordance with the Declaration of Conformity, the product is compliant with the EU Directives.

3.3. Standards

The applied standards which are used to demonstrate compliance with the EU Directives are listed in the EU-Type Examination Certificate and/or the EU Declaration of Conformity.

3.4. Explosion protection

Approval	Description						
 	<p>Optional: Explosion protection according to category 2 (zone 1/21)</p> <p>Ex marking of the components according to the following table:</p> <table border="1"> <thead> <tr> <th colspan="2">Coil Type AC10</th> </tr> <tr> <th>Coils with cable outlet</th> <th>Coils with terminal box</th> </tr> </thead> <tbody> <tr> <td> ATEX: EPS 18 ATEX 1232 X II 2G Ex mb IIC T4 Gb II 2D Ex mb IIIC T130 °C Db IECEX: IECEX EPS 18.0110 X Ex mb IIC T4 Gb Ex mb IIIC T130 °C Db </td> <td> ATEX: EPS 18 ATEX 1232 X II 2G Ex eb mb IIC T4 Gb II 2D Ex mb tb IIIC T130 °C Db IECEX: IECEX EPS 18.0110 X Ex eb mb IIC T4 Gb Ex mb tb IIIC T130 °C Db </td> </tr> </tbody> </table>	Coil Type AC10		Coils with cable outlet	Coils with terminal box	ATEX: EPS 18 ATEX 1232 X II 2G Ex mb IIC T4 Gb II 2D Ex mb IIIC T130 °C Db IECEX: IECEX EPS 18.0110 X Ex mb IIC T4 Gb Ex mb IIIC T130 °C Db	ATEX: EPS 18 ATEX 1232 X II 2G Ex eb mb IIC T4 Gb II 2D Ex mb tb IIIC T130 °C Db IECEX: IECEX EPS 18.0110 X Ex eb mb IIC T4 Gb Ex mb tb IIIC T130 °C Db
	Coil Type AC10						
	Coils with cable outlet	Coils with terminal box					
ATEX: EPS 18 ATEX 1232 X II 2G Ex mb IIC T4 Gb II 2D Ex mb IIIC T130 °C Db IECEX: IECEX EPS 18.0110 X Ex mb IIC T4 Gb Ex mb IIIC T130 °C Db	ATEX: EPS 18 ATEX 1232 X II 2G Ex eb mb IIC T4 Gb II 2D Ex mb tb IIIC T130 °C Db IECEX: IECEX EPS 18.0110 X Ex eb mb IIC T4 Gb Ex mb tb IIIC T130 °C Db						
<p>Coil Type AC10 (Ex-i version)</p> <p>ATEX: EPS 18 ATEX 1 088 X II 2G Ex ia IIC T6/T4 Gb II 2D Ex ia IIIC T135 °C Db IECEX: IECEX EPS 18.0038 X Ex ia IIC T6/T4 Gb Ex ia IIIC T135 °C Db</p>							
<p>Optional: Explosion protection according to category 3 (zone 2/22)</p> <p>Ex marking of the components according to the following table:</p> <table border="1"> <thead> <tr> <th colspan="2">Coil Type AC10</th> </tr> <tr> <th colspan="2">Coil with plug contacts form A and cable plug Type 2509</th> </tr> </thead> <tbody> <tr> <td colspan="2"> ATEX: EPS 21 ATEX 1234 X II 3G Ex ec IIC T4 Gc II 3D Ex tc IIIC T135 °C Dc IECEX: IECEX EPS 21.0078X Ex ec IIC T4 Gc Ex tc IIIC T135 °C Dc </td> </tr> </tbody> </table>	Coil Type AC10		Coil with plug contacts form A and cable plug Type 2509		ATEX: EPS 21 ATEX 1234 X II 3G Ex ec IIC T4 Gc II 3D Ex tc IIIC T135 °C Dc IECEX: IECEX EPS 21.0078X Ex ec IIC T4 Gc Ex tc IIIC T135 °C Dc		
Coil Type AC10							
Coil with plug contacts form A and cable plug Type 2509							
ATEX: EPS 21 ATEX 1234 X II 3G Ex ec IIC T4 Gc II 3D Ex tc IIIC T135 °C Dc IECEX: IECEX EPS 21.0078X Ex ec IIC T4 Gc Ex tc IIIC T135 °C Dc							

3.5. North America (USA/Canada)

Approval	Description
	<p>Optional: UL Listed for the USA (valid for valves)</p> <p>The valves are UL Listed for the USA according to:</p> <ul style="list-style-type: none"> UL 429 (electrically operated valves)
	<p>Optional: UL Hazardous Locations – Explosion Protection (valid for coils)</p> <p>UL Listed for Hazardous Locations for USA and Canada</p> <p>Class I, Zone 1 Class I, Division 2, Group A, B, C and D Class II + III, Division 2, Group F and G</p>

DTS 1000582183 EN Version: E Status: RL (released | freigegeben | valide) printed: 18.02.2025

Approval	Description
	Optional: UL Recognized for the USA (valid for valves) The valves are UL Recognized for the USA according to: <ul style="list-style-type: none"> UL 429 (electrically operated valves)
	Optional: CSA for Canada (valid for valves) The valves are CSA approved for Canada according to: <ul style="list-style-type: none"> CSA 139 (electrically operated valves)
	Optional: FM (Factory Mutual) – Explosion Protection (valid for coils) FM for Hazardous Locations for USA and Canada Class I, Zone 1 Class I, Division 1, Groups A, B, C and D Class II + III, Division 1, Groups E, F and G
CRN	Canadian Registration Number (CRN) – Technical Standards and Safety Act, Boilers and Pressure Vessels Regulation, and CSA Standard B51 The product fittings comply with all of the requirements of ASME Section B31.3 (Process Piping). Registration number Canada: 0C2430.C R2

3.6. Drinking water

Conformity	Description
	Suitable for use in drinking water applications The materials comply with the assessment principles (UBA) for materials in contact with drinking water (TrinkwasserV). Brass body/Stainless steel body: PF39: Suitable for products with a maximum temperature of 85 °C (hot water)

3.7. Foods and beverages/Hygiene

Conformity	Description
FDA	FDA – Code of Federal Regulations (valid for the variable code PL02, PL03) All wetted materials are compliant with the Code of Federal Regulations published by the FDA (Food and Drug Administration, USA) according to the manufacturer’s declaration.
USP	United States Pharmacopeial Convention (USP) (valid for the variable code PL04) All wetted materials are biocompatible according to the manufacturer’s declaration.
	EC Regulation 1935/2004 of the European Parliament and of the Council (valid for the variable code PL01, PL02) All wetted materials are compliant with EC Regulation 1935/2004/EC according to the manufacturer’s declaration.

3.8. Others

DNV GL classification

Approval	Description
	DNV GL classification – Ships, offshore units, and high speed and light craft The products are accepted for installation on all vessels classed by DNV GL.

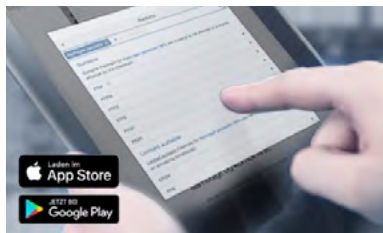
DTS 1000582183 EN Version: E Status: RL (released | freigegeben | valide) printed: 18.02.2025

Fire protection on railway vehicles

Approval	Description
DIN EN 45545	<p>Optional: Fire protection on railway vehicles in accordance with DIN EN 45545 applicable parts 2 and 5: requirements for fire behaviour of materials and components</p> <p>The products comply with the fire protection requirements in accordance with applicable parts 2 and 5 of DIN EN 45545 for use in the interior of railway vehicles for operating classes 1 - 3 (OC1 - 3) in conjunction with hazard levels 1 - 2 (HL1 - 2) in accordance with the manufacturer's declaration.</p>

4. Materials

4.1. Bürkert resistApp



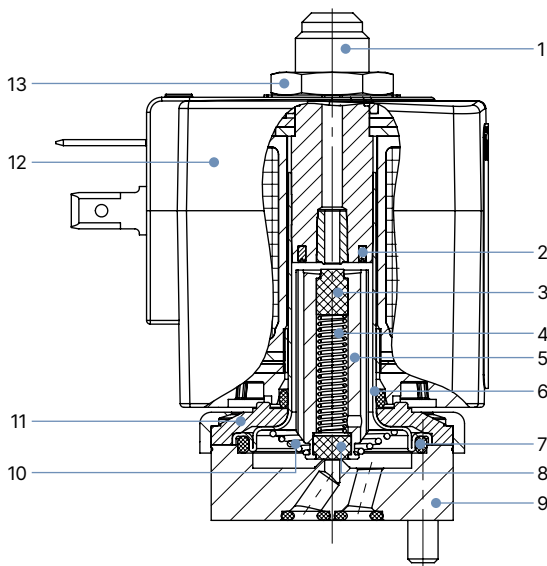
Bürkert resistApp – Chemical resistance chart

You want to ensure the reliability and durability of the materials in your individual application case? Verify your combination of media and materials on our website or in our resistApp.

[Start chemical resistance check](#)

4.2. Material specifications

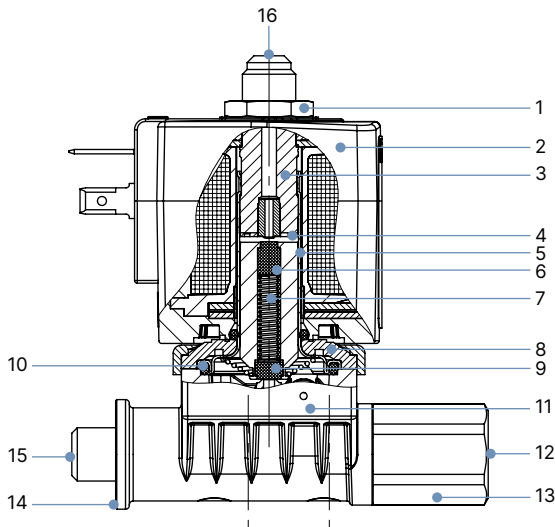
Standard version



No.	Element	Material
1	Stopper	Stainless steel 1.4105/430F
2	Shading ring	Cu (brass version) Ag (stainless steel version)
3	Plunger seal	FKM
4	Spring	Stainless steel 1.4310/301
5	Magnetic core	Stainless steel 1.4105/430F
6	Core guide tube	Stainless steel 1.4303/305/308
7	O-rings	FKM
8	Plunger seal	FKM
9	Valve body	Brass Stainless steel 1.4305/303 Stainless steel 1.4401/316
10	Spring	Stainless steel 1.4310/301
11	Sub-base	Steel, surface finish thick-film passivated (brass version) Stainless steel 1.4301/304 (stainless steel version)
12	Coil	PA (Polyamide) Epoxy (High temperature version)
13	Locknut	Steel, surface finish thick-film passivated (brass version) Stainless steel 1.4305/303 PTFE coated (stainless steel version)

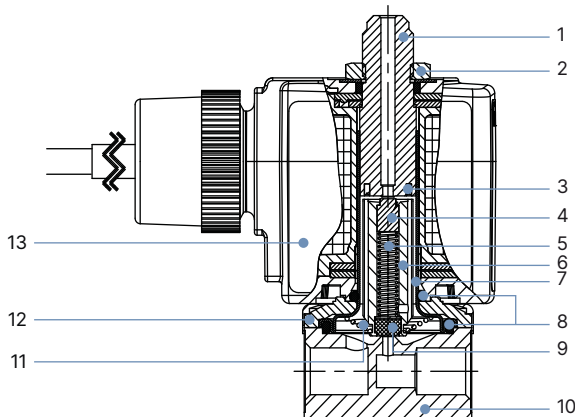
DTS 1000582183 EN Version: E Status: RL (released | freigegeben | valide) printed: 18.02.2025

Banjo version



No.	Element	Material
1	Locknut	Steel, surface finish thick-film passivated (brass version) Stainless steel 1.4305/303 PTFE coated (stainless steel version)
2	Coil	PA (Polyamide) Epoxy (High temperature version)
3	Stopper	Stainless steel 1.4105/430F
4	Shading ring	Cu (brass version) Ag (stainless steel version)
5	Core guide tube	Stainless steel 1.4303/305/308
6	Magnetic core	Stainless steel 1.4105/430F
7	Spring	Stainless steel 1.4310/301
8	Sub-base	Steel, surface finish thick-film passivated (brass version) Stainless steel 1.4301/304 (stainless steel version)
9	Plunger seal	FKM
10	O-rings	FKM
11	Valve body	PPS
12	Pressure connection P	-
13	Screw	Brass/Stainless steel 1.4301/304
14	O-rings	FKM
15	Pressure connection A	-
16	R connection	-

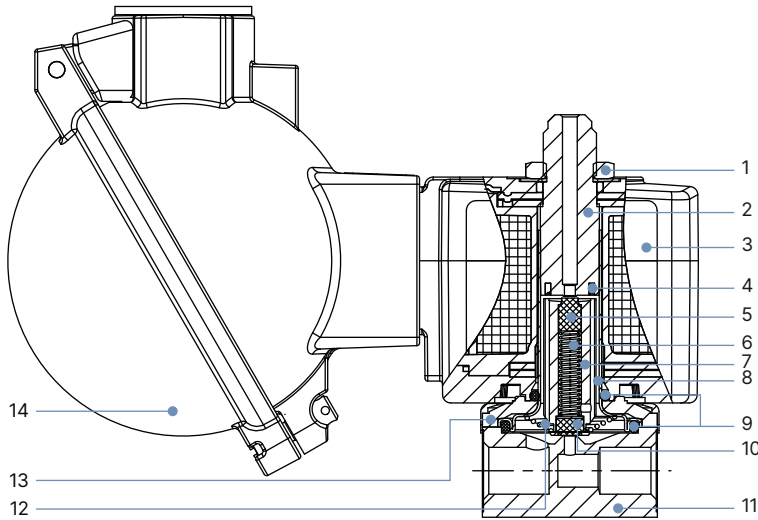
Coil UL Listed (cULus) for hazardous locations, Class I, Division 2, cable version



No.	Element	Material
1	Stopper	Stainless steel 1.4105/430F
2	Locknut	Steel, surface finish thick-film passivated (brass version) Stainless steel 1.4305/303 PTFE coated (stainless steel version)
3	Shading ring	Cu (brass version) Ag (stainless steel version)
4	Plunger seal	FKM
5	Spring	Stainless steel 1.4310/301
6	Magnetic core	Stainless steel 1.4105/430F
7	Core guide tube	Stainless steel 1.4303/305/308
8	O-rings	FKM
9	Plunger seal	FKM
10	Valve body	Brass Stainless steel 1.4305/303 Stainless steel 1.4401/316
11	Spring	Stainless steel 1.4310/301
12	Sub-base	Steel, surface finish thick-film passivated (brass version) Stainless steel 1.4301/304 (stainless steel version)
13	Coil	Epoxy

DTS 1000582183 EN Version: E Status: RL (released | freigegeben | validé) printed: 18.02.2025

Coil UL Listed (cULus) for hazardous locations, Class I, Division 2, terminal box version



No.	Element	Material
1	Locknut	Steel, surface finish thick-film passivated (brass version) Stainless steel 1.4305/303 PTFE coated (stainless steel version)
2	Stopper	Stainless steel 1.4105/430F
3	Coil	Epoxy
4	Shading ring	Cu (brass version) Ag (stainless steel version)
5	Plunger seal	FKM
6	Spring	Stainless steel 1.4310/301
7	Magnetic core	Stainless steel 1.4105/430F
8	Core guide tube	Stainless steel 1.4303/305/308
9	O-rings	FKM
10	Plunger seal	FKM
11	Valve body	Brass Stainless steel 1.4305/303 (G 1/8) Stainless steel 1.4401/316 (G 1/4)
12	Spring	Stainless steel 1.4310/301
13	Sub-base	Steel, surface finish thick-film passivated (brass version) Stainless steel 1.4301/304 (stainless steel version)
14	Terminal box	Aluminium

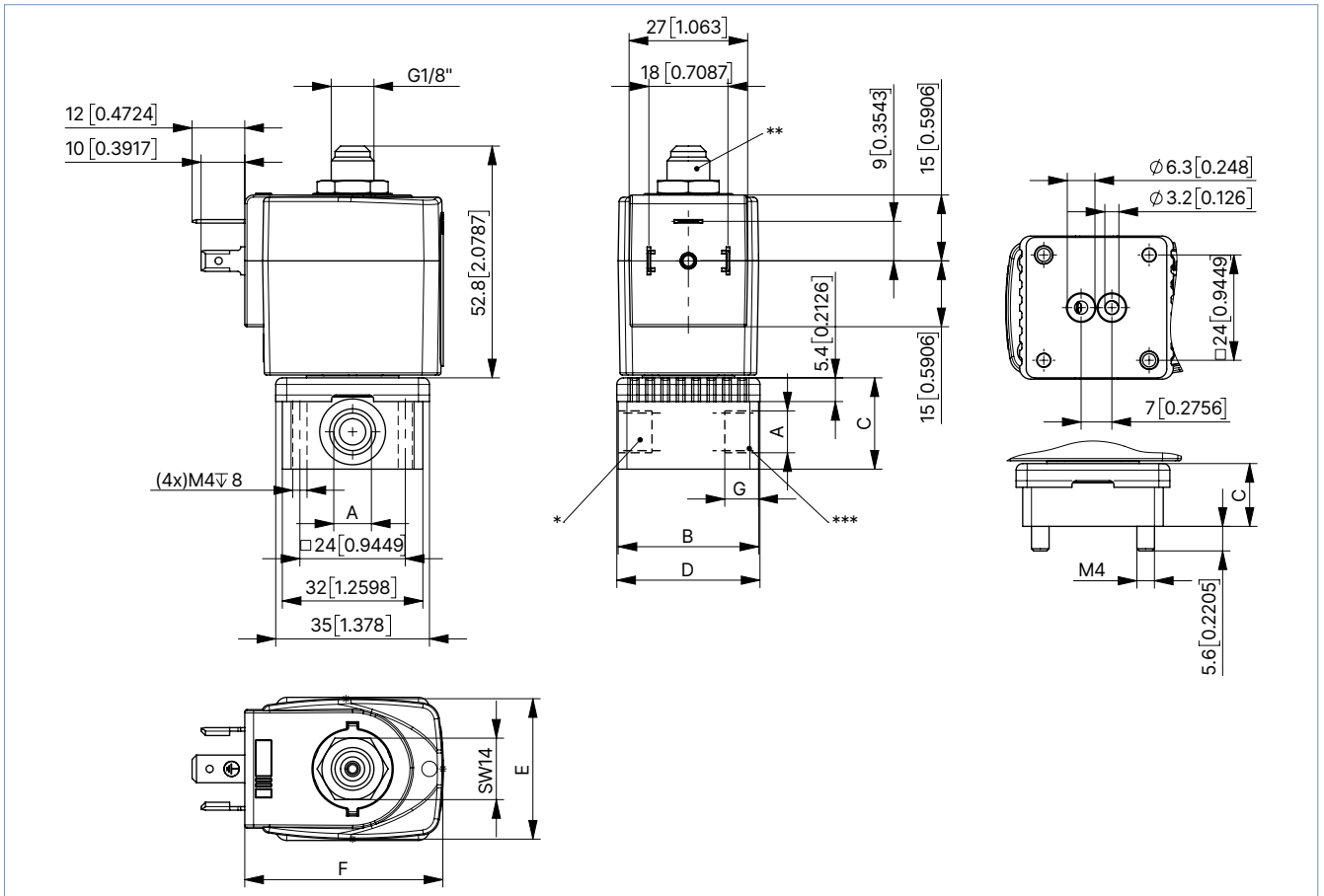
DTS 1000582183 EN Version: RL (released | freigegeben | validé) printed: 18.02.2025

5. Dimensions

5.1. Standard version

Note:

Dimensions in mm [inch]



Port connection	A	B	C			D		G	
	[inch]	[mm]	[inch]	[mm]	[inch]	[mm]	[inch]	[mm]	[inch]
Threaded without manual override	G 1/8	32	1.26	20.8	0.82	32.6	1.28	8	0.31
	G 1/4	46	1.81	26.8	1.06	49	1.93	12	0.47
Threaded with manual override	G 1/8	32	1.26	20.8	0.82	32.6	1.28	8	0.31
	G 1/4	46	1.81	26.8	1.06	49	1.93	12	0.47
Sub-base	-	32	1.26	14.3	0.56	32.6	1.28	-	-

Coil size	E		F	
	[mm]	[inch]	[mm]	[inch]
5	32	1.26	45	1.77
6	40	1.57	51	2

Pin assignment

For the positions marked with *, ** or *** in the drawing, the connections are marked with the letters shown in the table above, depending on the circuit function. Unused circuit functions A or B connections will be closed off with a blanking plug or cap nut.

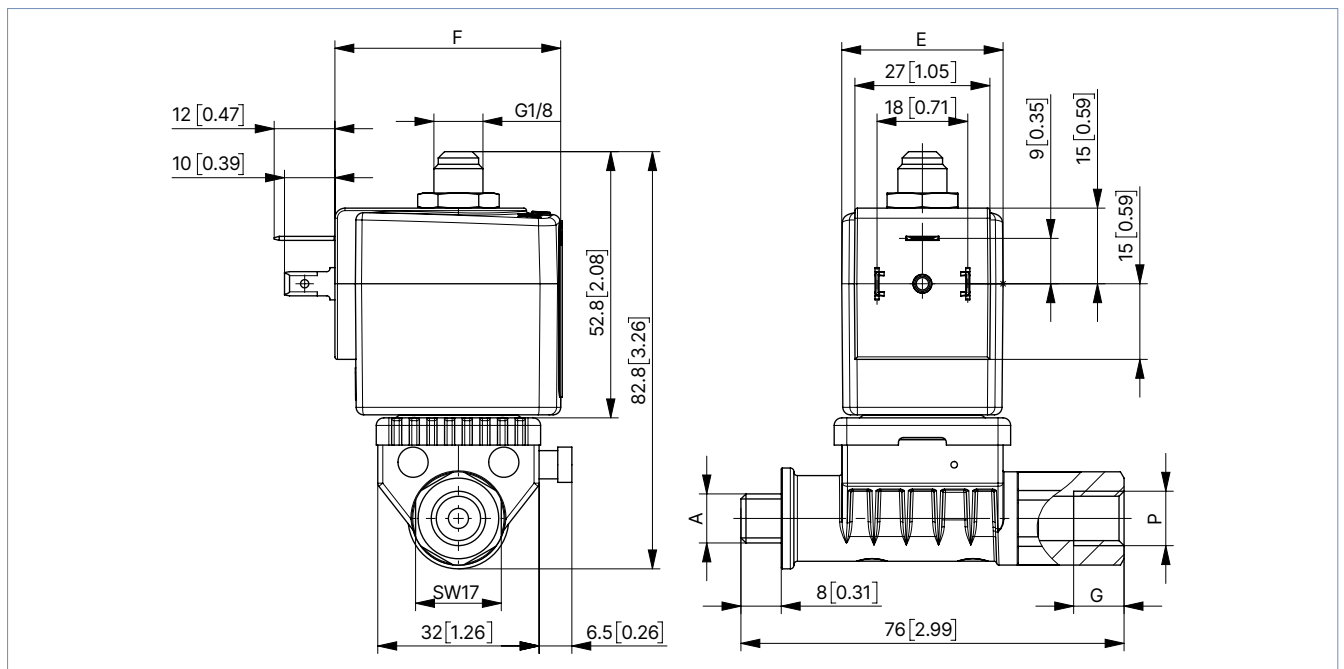
Circuit function	Connection Type		
	*	**	***
A	P	blank off	A
B	blank off	B	P
C	P	R	A
D	R	P	B
T	P	R	A

5.2. Banjo version

With 76 mm banjo bolt

Note:

Dimensions in mm [inch]



Version	A	P	G	
	[Zoll]	[Zoll]	[mm]	[in]
BJ02	G ¼	G ¼	10	0.39
BJ03	G ⅛	NPT ¼		
BJ04	G ¼	NPT ¼		
BJ05	G ⅛	G ¼		
BJ07	G ⅛	NPT ⅛		

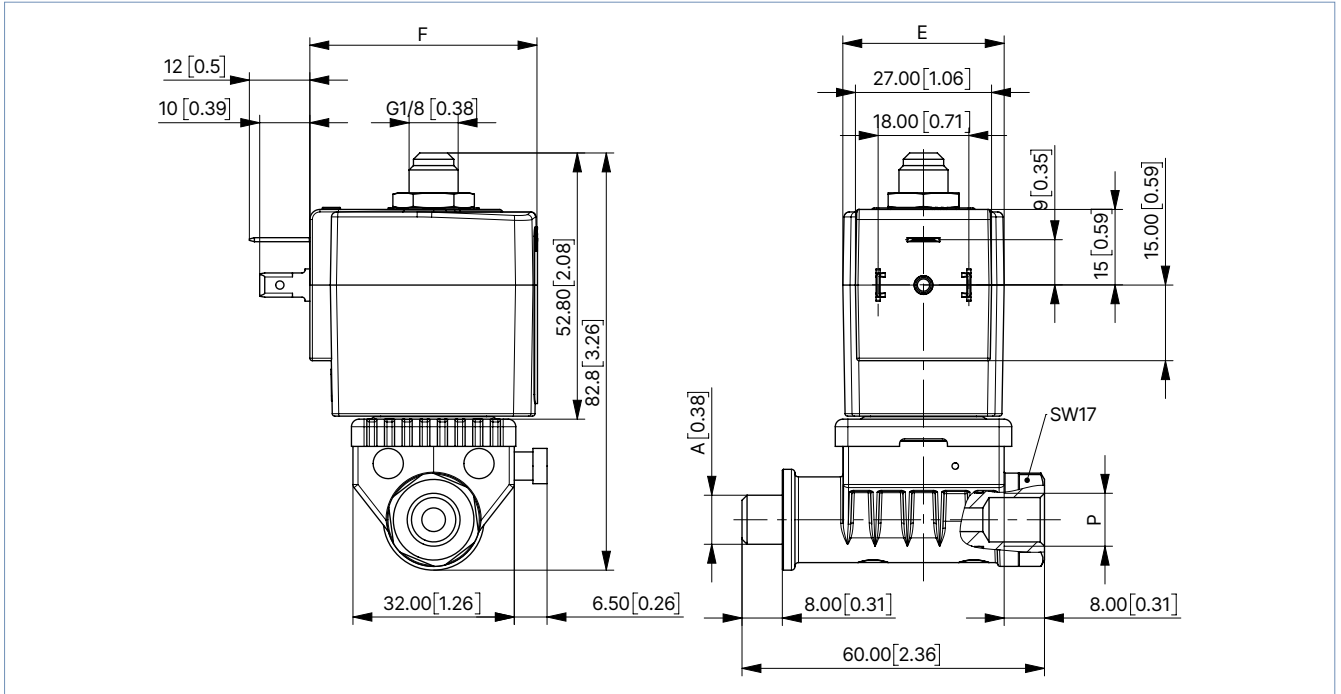
Coil size	E		F	
	[mm]	[inch]	[mm]	[inch]
5	32	1.25	45	1.77
6	40	1.57	51	2

DTS 1000582183 EN Version: E Status: RL (released | freigegeben | validé) printed: 18.02.2025

With 60 mm banjo bolt

Note:

Dimensions in mm [inch]



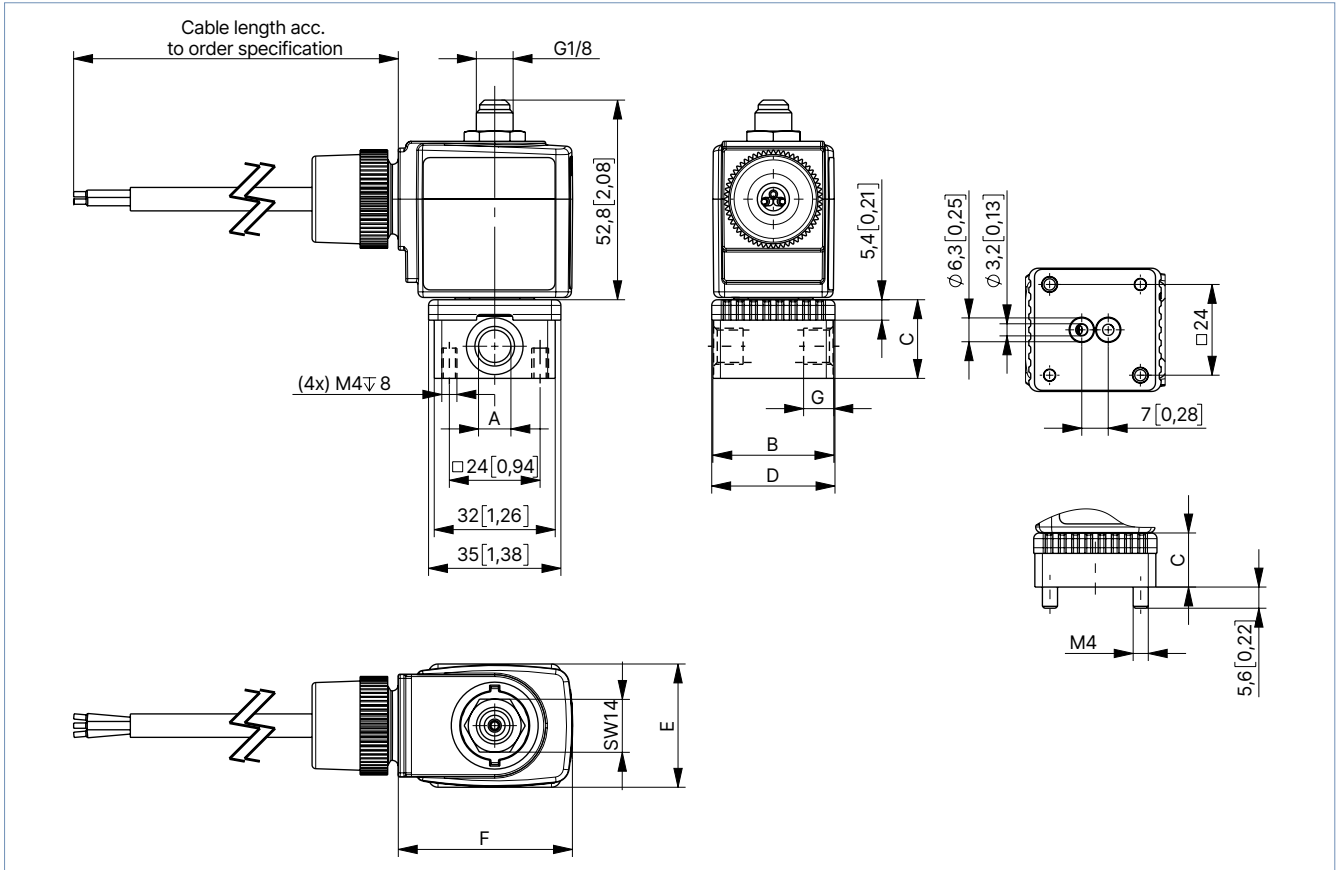
Version	A	P
	[Zoll]	[Zoll]
BJ01	G 1/8	G 1/8
BJ06	G 1/4	G 1/8

Coil size	E		F	
	[mm]	[inch]	[mm]	[inch]
5	32	1.25	45	1.77
6	40	1.57	51	2

5.3. Coil UL Listed (cULus) for hazardous locations, Class I, Division 2, cable version

Note:

Dimensions in mm [inch]



Port connection	A	B		C		D		G	
	[Zoll]	[mm]	[inch]	[mm]	[inch]	[mm]	[inch]	[mm]	[inch]
Threaded version	G 1/8	32	1.26	20.8	0.82	32.6	1.28	8	0.31
	G 1/4	46	1.81	26.8	1.06	49	1.93	12	0.47
Sub-base version	-	32	1.25	14.3	0.56	32.6	1.28	-	-

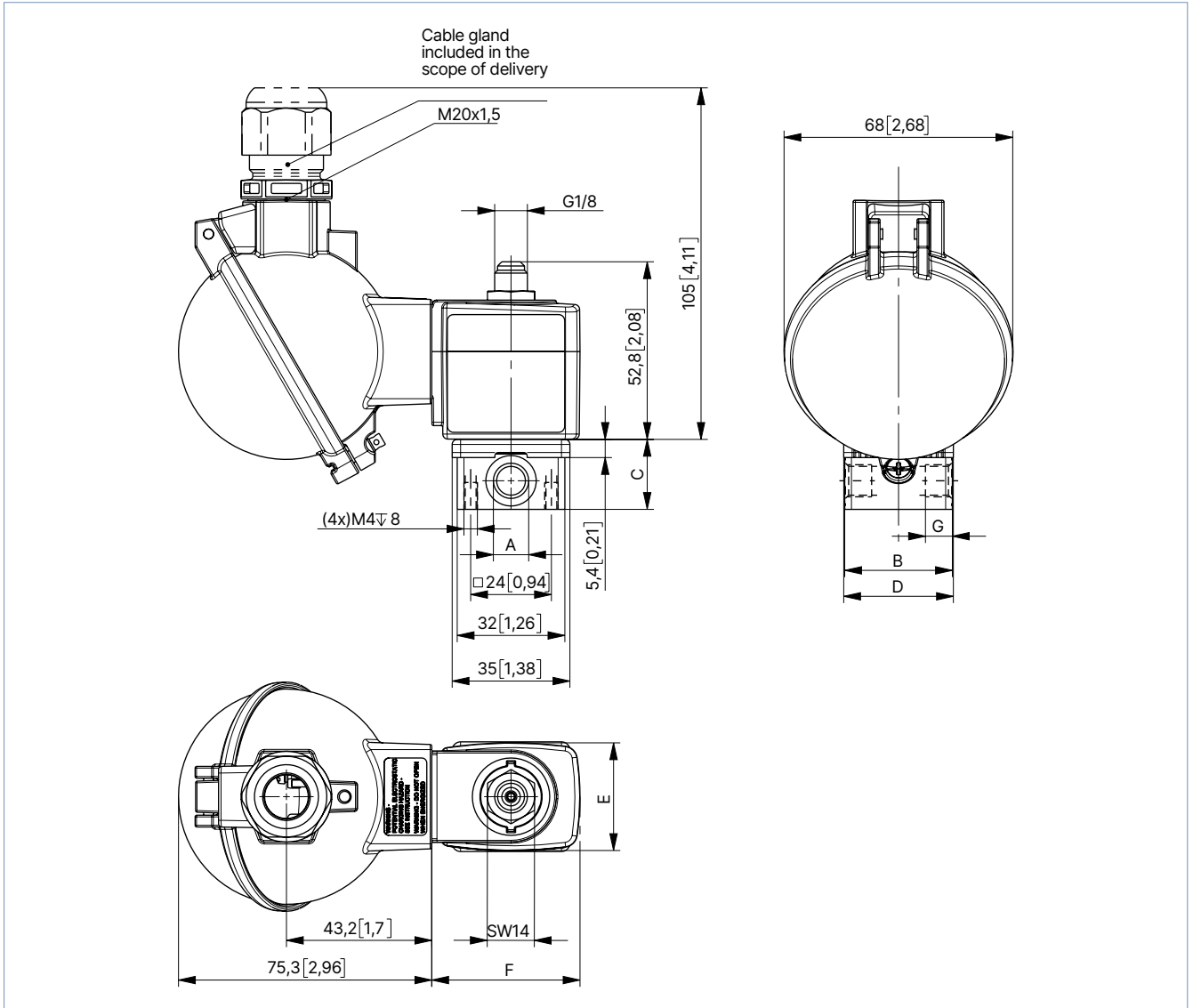
Coil size	E		F	
	[mm]	[inch]	[mm]	[inch]
5	32	1.26	46	1.81
6	40	1.57	52	2.04

DTS 1000582183 EN Version: E Status: RL (released | freigegeben | valide) printed: 18.02.2025

5.4. Coil UL Listed (cULus) for hazardous locations, Class I, Division 2, terminal box version

Note:

Dimensions in mm [inch]



Port connection	A	B	C		D		G		
	[Zoll]	[mm]	[inch]	[mm]	[inch]	[mm]	[inch]	[mm]	[inch]
Threaded version	G 1/8	32	1.26	20.8	0.82	32.6	1.28	8	0.31
	G 1/4	46	1.81	26.8	1.06	49	1.93	12	0.47
Sub-base version	-	32	1.25	14.3	0.56	32.6	1.28	-	-

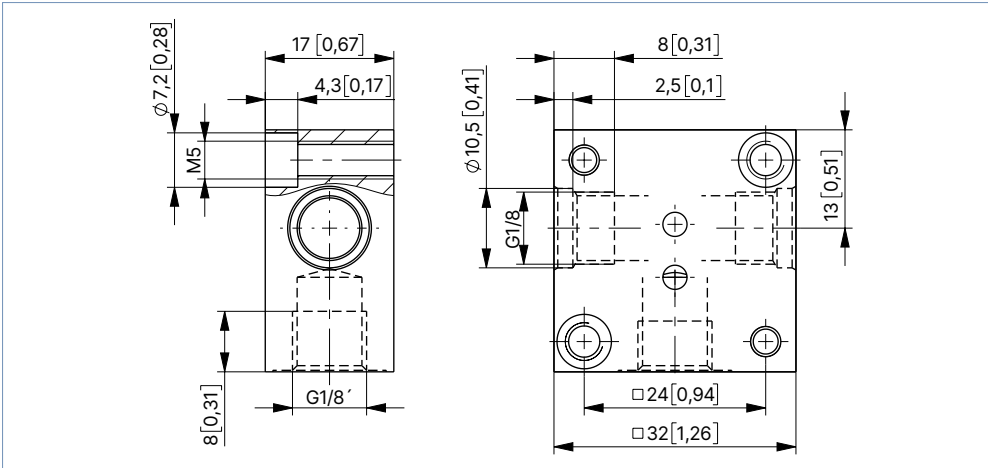
Coil size	E		F	
	[mm]	[inch]	[mm]	[inch]
5	32	1.26	44	1.73
6	40	1.57	51	2

DTS 1000582183 EN Version: E Status: RL (released | freigegeben | valide) printed: 18.02.2025

5.5. Single manifold

Note:

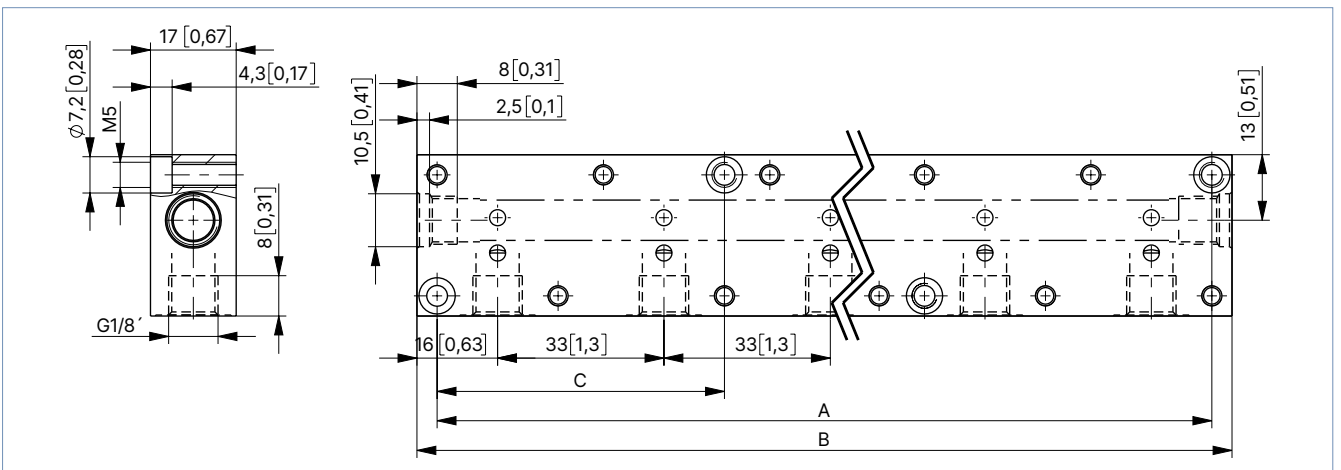
- Dimensions in mm [inch]
- Further information about the installation of manifolds can be found in chapter “5.7. Manifolds for block mounting” on page 17.



5.6. Multiple manifold

Note:

- Dimensions in mm [inch]
- The manifold is only possible with coil size 5.
- Brass or stainless steel manifolds is available on request.



Accessory parts	Number of valve positions	Hole spacing A		Total length B		Hole spacing C		Article no.
		[mm]	[inch]	[mm]	[inch]	[mm]	[inch]	
Multiple manifold (aluminium)	2	57	2.24	65	2.56	–	–	005023
	3	90	3.54	98	3.86	–	–	005286
	4	123	4.84	131	5.16	–	–	005287
	5	156	6.14	164	6.46	57	2.24	005035
	6	189	7.44	197	7.76	57	2.24	005038
	8	255	10	263	10.35	90	3.54	005386
	10	321	12.64	329	12.95	90	3.54	005764
Single manifold (aluminium)								005020
Plug nipple with O-rings for connecting manifolds								005040
Covering plate with screws and O-ring for closing off unused valve positions								005630

DTS 1000582183 EN Version: E Status: RL (released | freigegeben | valide) printed: 18.02.2025

5.7. Manifolds for block mounting

Note:

- Unused, open valve ports must be closed off with covering plates (see accessories).
- Manifold should be fixed on to a rail.
- Refer to chapter “5.6. Multiple manifold” on page 16 for more information about the dimensions.

With manifold mounting, please comply with the permissible duty cycle (5 W versions with 100 % continuous rating or 8 W version with 60 % duty cycle). The pressure port for the manifold is designated with P (R), and the outlet port with A (B). Only connect together ports with the same designation.

2/2-way valves of Type 6013 can be operated together on a manifold with 3/2-way valves of Type 6014, circuit function C (not D or T!) if the operating pressures matches according to the rating plates. The manifolds can also be expanded if the valve functions are taken into consideration. Connector nipples with O-rings are used to connect the P (R) ports.

6. Performance specifications

6.1. Power consumption

Orifice [mm]	Power consumption				Response times ¹⁾	
	Inrush AC [VA]	UC [W]	Hold AC [VA/W]	UC [W]	Opening [ms]	Closing [ms]
1.5	24	17	8	8/9	10...15	15...20
2.0					10...15	15...20
2.5					15...20	10...22

1.) Measurement at + 68 °F, 87 psi at the valve outlet, opening: pressure build-up 0...90 %, closing: pressure reduction 100...10 %

6.2. Utilisation in another circuit function

The valves are equipped with different springs for specific circuit functions. When used with other circuit functions, the permissible operating pressure changes according to the following table.

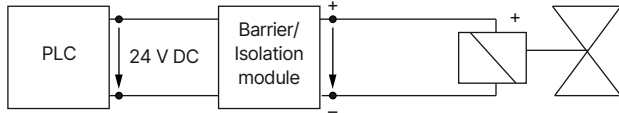
Standard version		Max. operating pressure [bar] for valve application in circuit function				
DN	Circuit function	A	B	C	D	T
1.5	C	16	22	16	2	2
	D	2	2.5	2	16	2
	T	10	16	10	6	6
2.0	C	10	14	10	1	1
	D	1	1.5	1	10	1
	T	6	10	6	4	4
2.5	C	6	9	6	0.7	0.7
	D	0.7	1	0.7	6	0.7
	T	3.5	6	3.5	2.5	2.5

DTS 1000582183 EN Version: E Status: RL (released | freigegeben | validé) printed: 18.02.2025

6.3. Electrical data explosion-proof version EEx ia

Note:

- The valve is intended for operation at 24 V/DC outputs via the intermedia switching of a corresponding intrinsically safe operating resource (isolating module or barrier).
- Ignition protection class: EEx ia IIC T6 according to PTB-No. Ex- 96.D.2010
- Further information can be found in the **operating instructions EPS 18 ATEX 1088X** ▶.



Function values for valve – circuit function	at +68 °F	at +131 °F
Minimum switching current	30 mA	30 mA
Nominal resistance coil	310 Ω	360 Ω
Minimum terminal voltage	9.3 V	10.8 V

Max. allowable values acc. to the certificate of conformity	
U _i	28 V
i _i	120 mA
P _i	1.1 W
Ambient temperature	+ 140 °F at T6 + 167 °F at T5

7. Product installation

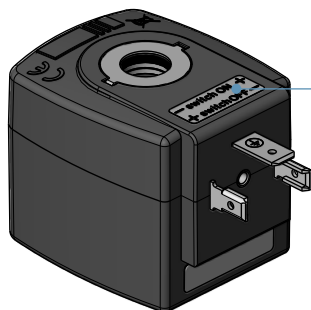
7.1. Installation notes

Control for impulse version with polarity reversal control

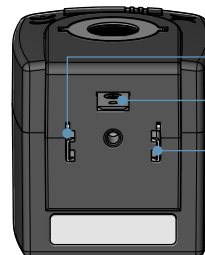
Note:

- Please use only the cable plug without electrical circuitry for the impulse version!
- Pulse duration at least 50 ms

Polarity (is marked on the coil with a label)	Features	Terminal connections
- switch ON +	valve open	(+) on terminal 2 and (-) on terminal 1 (see below)
+ switch OFF -	valve closed	(+) on terminal 1 and (-) on terminal 2 (see below)



Polarity is marked on the coil with a label:
- switch ON +
+ switch OFF -



1
Protective conductor port
2


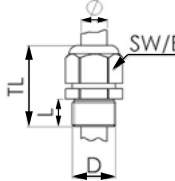

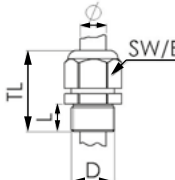
DTS 1000582183 EN Version: E Status: RL (released | freigegeben | valide) printed: 18.02.2025

8. Product accessories

8.1. Cable glands for terminal box (UL Listed for hazardous locations, Class I, Division 2)

Note:

A polyamide cable gland is included in the scope of delivery. A nickel-plated brass version can be ordered for a surcharge, see [“Cable glands for ATEX/IECEX terminal box” on page 29.](#)

Description	Ex approvals		Dimensions										
	Certification	Identification											
Ex cable gland, Nickel-plated brass, 6...13 mm 	PTB 04 ATEX 1112 X, IECEX PTB 13.0027X	II 2 G Ex e IIC Gb, II 2 D Ex tb IIIC Db IP68	 <table border="1"> <tr><td>TL</td><td>29...37 mm</td></tr> <tr><td>L</td><td>6 mm</td></tr> <tr><td>D</td><td>20 mm</td></tr> <tr><td>SW</td><td>24 mm</td></tr> <tr><td>E</td><td>27 mm</td></tr> </table>	TL	29...37 mm	L	6 mm	D	20 mm	SW	24 mm	E	27 mm
TL	29...37 mm												
L	6 mm												
D	20 mm												
SW	24 mm												
E	27 mm												
Ex cable gland, Polyamide, 7...13 mm 	PTB 13 ATEX 1015 X, IECEX PTB 13.0034X	II 2 G Ex e IIC Gb, II 2 D Ex tb IIIC Db IP68	 <table border="1"> <tr><td>TL</td><td>36...45 mm</td></tr> <tr><td>L</td><td>10 mm</td></tr> <tr><td>D</td><td>20 mm</td></tr> <tr><td>SW</td><td>24 mm</td></tr> <tr><td>E</td><td>28 mm</td></tr> </table>	TL	36...45 mm	L	10 mm	D	20 mm	SW	24 mm	E	28 mm
TL	36...45 mm												
L	10 mm												
D	20 mm												
SW	24 mm												
E	28 mm												

8.2. Special tool to turn the terminal box

Note:

This special tool is not included in the scope of delivery of the valve, see [“Cable glands for ATEX/IECEX terminal box” on page 29.](#)

Description	Components of the set
Set SC02-AC10 	<ul style="list-style-type: none"> • Special wrench • Service manual

DTS 1000582183 EN Version: E Status: RL (released | freigegeben | validé) printed: 18.02.2025

9. Ordering information

9.1. Bürkert eShop



Bürkert eShop – Easy ordering and quick delivery

You want to find your desired Bürkert product or spare part quickly and order directly? Our online shop is available for you 24/7. Sign up and enjoy all the benefits.

[Order online now](#)

9.2. Bürkert product filter



Bürkert product filter – Get quickly to the right product

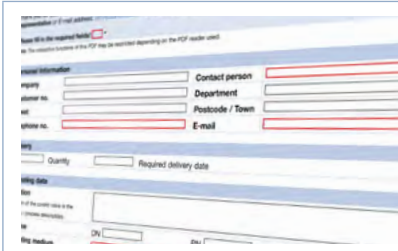
You want to select products comfortably based on your technical requirements? Use the Bürkert product filter and find suitable articles for your application quickly and easily.

[Try out our product filter](#)

9.3. Bürkert Product Enquiry Form

Note:

Please see our Product Enquiry Form for a full explanation of our specification key.



Bürkert Product Enquiry Form – Your enquiry quickly and compactly

Would you like to make a specific product enquiry based on your technical requirements? Use our Product Enquiry Form for this purpose. There you will find all the relevant information for your Bürkert contact. This will enable us to provide you with the best possible advice.

[Fill out the form now](#)

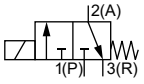
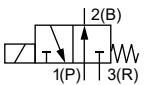
DTS 1000582183 EN Version: E Status: RL (released | freigegeben | valide) printed: 18.02.2025

9.4. Ordering chart

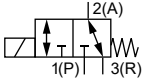
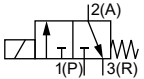
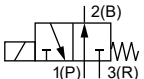
UL Recognized

Note:

Please note that the cable plug **Type 2518** ▶ is included. UL Listed and other versions are available on request. Further information can be found in chapter “**Cable plug Type 2509, form A according to DIN EN 175301-803**” on page 28.

Circuit function	Port connection	Orifice	C _v value water ¹⁾	Voltage/ Frequency	Coil power	Pressure range ²⁾ (MAWP ³⁾)	Article no. Brass body	Article no. Stainless steel body
		[mm]	[gal/min]	[V/Hz]	[W]	[psi]		
Threaded version with FKM seal, (class B)								
CF C 3/2-way solenoid valve Direct-acting Normally closed 	NPT 1/8	1.5	0.08	024/DC	8	0...232	o. r.	o. r.
				024/60				
				120/60				
				240/60				
	NPT 1/8	2.0	0.13	024/DC	8	0...145	o. r.	o. r.
				024/60				
				120/60				
				240/60				
	NPT 1/4		0.13	024/DC	8	0...145	o. r.	o. r.
				024/60				
				120/60				
				240/60				
	NPT 1/8	2.5	0.18	024/DC	8	0...87	o. r.	o. r.
				024/60				
				120/60				
				240/60				
	NPT 1/4		0.18	024/DC	8	0...87	o. r.	o. r.
				024/60				
				120/60				
				240/60				
CF D 3/2-way solenoid valve Direct-acting Normally open 	NPT 1/8	1.5	0.08	024/DC	8	0...232	o. r.	o. r.
				024/60				
				120/60				
				240/60				
	NPT 1/8	2.0	0.13	024/DC	8	0...145	o. r.	o. r.
				024/60				
				120/60				
				240/60				
	NPT 1/4		0.13	024/DC	8	0...145	o. r.	o. r.
				024/60				
				120/60				
				240/60				
	NPT 1/8	2.5	0.18	024/DC	8	0...87	o. r.	o. r.
				024/60				
				120/60				
				240/60				
	NPT 1/4		0.18	024/DC	8	0...87	o. r.	o. r.
				024/60				
				120/60				
				240/60				

DTS 1000582183 EN Version: E Status: RL (released | freigegeben | validé) printed: 18.02.2025

Circuit function	Port connection	Orifice	C _v value water ^{1.)}	Voltage/ Frequency	Coil power	Pressure range ^{2.)} (MAWP ^{3.)})	Article no. Brass body	Article no. Stainless steel body
		[mm]	[gal/min]	[V/Hz]	[W]	[psi]		
CFT 3/2-way solenoid valve Direct-acting Flow direction optional Normally closed 	NPT 1/8	1.5	0.08	024/DC	8	0...102	o. r.	o. r.
				024/60				
				120/60				
				240/60				
With manual override								
CFC 3/2-way solenoid valve Direct-acting Normally closed 	NPT 1/8	2.0	0.13	024/DC	8	0...145	o. r.	o. r.
				024/60				
				120/60				
				240/60				
	NPT 1/4	0.13	024/DC	8	0...145	o. r.	o. r.	
			024/60					
			120/60					
			240/60					
CFD 3/2-way solenoid valve Direct-acting Normally open 	NPT 1/8	2.0	0.13	024/DC	8	0...145	o. r.	o. r.
				024/60				
				120/60				
				240/60				
	NPT 1/4	0.13	024/DC	8	0...145	o. r.	o. r.	
			024/60					
			120/60					
			240/60					

o. r. = on request

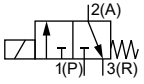
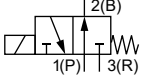
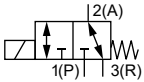
- 1.) Measurement at + 68 °F, 14 psi^{2.)} at the valve inlet and free outlet
- 2.) Pressure data: overpressure to atmospheric pressure
- 3.) Maximum allowable working pressure

DTS 1000582183 EN Version: E Status: RL (released | freigegeben | valide) printed: 18.02.2025

UL Listed

Note:

Please note that the cable plug **Type 2509** is included. UL Listed and other versions are available on request. Further information can be found in chapter **"Cable plug Type 2509, form A according to DIN EN 175301 - 803"** on page 28.

Circuit function	Port connection	Orifice	C _v value water ¹⁾	Voltage/Frequency	Coil power	Pressure range ²⁾ (MAWP ³⁾)	Article no. Brass body	Article no. Stainless steel body
		[mm]	[gal/min]	[V/Hz]	[W]	[psi]		
Threaded version with FKM seal, (class B)								
CF C 3/2-way solenoid valve Direct-acting Normally closed 	NPT 1/8	1.5	0.08	024/DC	8	0...232	o. r.	o. r.
				024/60				
				120/60				
				240/60				
	NPT 1/8	2.0	0.13	024/DC	8	0...145	o. r.	o. r.
				024/60				
				120/60				
				240/60				
	NPT 1/4		0.13	024/DC	8	0...145	o. r.	o. r.
				024/60				
				120/60				
				240/60				
	NPT 1/8	2.5	0.18	024/DC	8	0...87	o. r.	o. r.
				024/60				
				120/60				
				240/60				
NPT 1/4		0.18	024/DC	8	0...87	o. r.	o. r.	
			024/60					
			120/60					
			240/60					
CF D 3/2-way solenoid valve Direct-acting Normally open 	NPT 1/8	1.5	0.08	024/DC	8	0...232	o. r.	o. r.
				024/60				
				120/60				
				240/60				
	NPT 1/8	2.0	0.13	024/DC	8	0...145	o. r.	o. r.
				024/60				
				120/60				
				240/60				
	NPT 1/4		0.13	024/DC	8	0...145	o. r.	o. r.
				024/60				
				120/60				
				240/60				
	NPT 1/8	2.5	0.18	024/DC	8	0...87	o. r.	o. r.
				024/60				
				120/60				
				240/60				
NPT 1/4		0.18	024/DC	8	0...87	o. r.	o. r.	
			024/60					
			120/60					
			240/60					
CF T 3/2-way solenoid valve Direct-acting Flow direction optional Normally closed 	NPT 1/8	1.5	0.08	024/DC	8	0...102	o. r.	o. r.
				024/60				
				120/60				
				240/60				

DTS 1000582183 EN Version: E Status: RL (released | freigegeben | valide) printed: 18.02.2025

Circuit function	Port connection	Orifice	C _v value water ^{1.)}	Voltage/ Frequency	Coil power	Pressure range ^{2.)} (MAWP ^{3.)})	Article no. Brass body	Article no. Stainless steel body
		[mm]	[gal/min]	[V/Hz]	[W]	[psi]		
With manual override								
CF C 3/2-way solenoid valve Direct-acting Normally closed 	NPT 1/8	2.0	0.13	024/DC	8	0...145	o. r.	o. r.
	NPT 1/4			024/60				
				120/60				
				240/60				
		024/DC	8	0...145	o. r.	o. r.		
	024/60							
	120/60							
	240/60							
CF D 3/2-way solenoid valve Direct-acting Normally open 	NPT 1/8	2.0	0.13	024/DC	8	0...145	o. r.	o. r.
	NPT 1/4			024/60				
				120/60				
				240/60				
		024/DC	8	0...145	o. r.	o. r.		
	024/60							
	120/60							
	240/60							

o. r. = on request

- 1.) Measurement at + 68 °F, 14 psi^{2.)} at the valve inlet and free outlet
- 2.) Pressure data: overpressure to atmospheric pressure
- 3.) Maximum allowable working pressure

DTS 1000582183 EN Version: E Status: RL (released | freigegeben | validé) printed: 18.02.2025

Note:

Please note that the cable plug **Type 2509** ▶ is included. UL Listed and other versions are available on request. Further information can be found in chapter “**Cable plug Type 2509, form A according to DIN EN 175301 - 803**” on page 28.

Circuit function	Orifice	C _v value water ^{1.)}	Voltage/ Frequency	Coil power	Pressure range ^{2.)} (MAWP ^{3.)})	Article no. Brass body	Article no. Stainless steel body	
	[mm]	[gal/min]	[V/Hz]	[W]	[psi]			
Threaded version with FKM seal, (class B)								
CFC 3/2-way solenoid valve Direct-acting Normally closed 	1.5	0.08	024/DC	8	0...232	o. r.	o. r.	
			024/60					
			120/60					
			240/60					
	2.0	0.13	024/DC	8	0...145	o. r.	o. r.	
			024/60					
			120/60					
			240/60					
CFD 3/2-way solenoid valve Direct-acting Normally open 	2.0	0.13	024/DC	8	0...145	o. r.	o. r.	
			024/60					
			120/60					
			240/60					
With manual override								
CFC 3/2-way solenoid valve Direct-acting Normally closed 	1.5	0.08	024/DC	5	0...145	o. r.	o. r.	
			024/60					
			120/60					
			240/60					
	0.08	8	0...232	024/DC	8	0...232	o. r.	o. r.
				024/60				
				120/60				
				240/60				
	2.0	0.13	0...87	024/DC	5	0...87	o. r.	o. r.
				024/60				
				120/60				
				240/60				
0.13	8	0...145	024/DC	8	0...145	o. r.	o. r.	
			024/60					
			120/60					
			240/60					

o. r. = on request

1.) Measurement at + 68 °F, 14 psi^{2.)} at the valve inlet and free outlet

2.) Pressure data: overpressure to atmospheric pressure

3.) Maximum allowable working pressure

DTS 1000582183 EN Version: E Status: RL (released | freigegeben | validé) printed: 18.02.2025

UL Recognized banjo version

Note:

Please note that the cable plug **Type 2518** is included. UL Listed and other versions are available on request. Further information can be found in chapter **"Cable plug Type 2509, form A according to DIN EN 175301 - 803"** on page 28.

Circuit function	Version	Pressure port P	Working port A (banjo bolt)	Banjo bolt	Q _{Nm} value air	Power consumption	Pressure range (MAWP ¹⁾)	Material banjo bolt	Article no.		
				[mm]	[gal/min]	[W]	[psi]		024/DC	024/50	230/50
									[V/Hz]	[V/Hz]	[V/Hz]
With FKM seal and manual override											
CF C 3/2-way solenoid valve Direct-acting Normally closed 	BJ01	G 1/8	G 1/8	1,5	19.8	8	0...232	Brass	342402	389539	389541
	BJ01	G 1/8	G 1/8	2,0	31.7	8	0...145	Brass	20098150	389545	389547
	BJ02	G 1/4	G 1/4	1,5	19.8	8	0...232	Brass	20098151	389542	389543
	BJ02	G 1/4	G 1/4	2,0	31.7	8	0...145	Brass	334870	389548	389550
	BJ03	NPT 1/4	G 1/8	1,5	19.8	8	0...232	Brass	o. r.	o. r.	o. r.
	BJ03	NPT 1/4	G 1/8	2,0	31.7	8	0...145	Brass	o. r.	o. r.	o. r.
	BJ04	NPT 1/4	G 1/4	1,5	19.8	8	0...232	Brass	o. r.	o. r.	o. r.
	BJ04	NPT 1/4	G 1/4	2,0	31.7	8	0...145	Brass	o. r.	o. r.	o. r.
	BJ05	G 1/4	G 1/8	1,5	19.8	8	0...232	Brass	20058931	o. r.	o. r.
	BJ05	G 1/4	G 1/8	2,0	31.7	8	0...145	Brass	20034151	o. r.	o. r.
	BJ06	G 1/8	G 1/4	1,5	19.8	8	0...232	Brass	o. r.	o. r.	o. r.
	BJ06	G 1/8	G 1/4	2,0	31.7	8	0...145	Brass	o. r.	20051143	20043155
	BJ07	NPT 1/8	G 1/8	1,5	19.8	8	0...232	Brass	o. r.	o. r.	o. r.
	BJ07	NPT 1/8	G 1/8	2,0	31.7	8	0...145	Brass	o. r.	o. r.	o. r.

o. r. = on request

1.) Maximum allowable working pressure

Coil UL Listed (cULus) for hazardous locations, Class I, Division 2

Note:

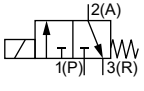
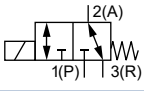
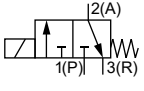
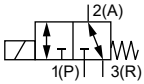
- The maximum medium temperature must never exceed the permitted temperature class (T4: +135 °C, T5: +100 °C, T6: +85 °C) minus 5 K.
- With 3 m/9'10" cable as standard. Other lengths or version with junction box on request.

Circuit function	Port connection	Orifice	C _v value water	Voltage/frequency	Coil power	Pressure range (MAWP ¹⁾)	Article no. PA body	Article no. Brass body
		[mm]	[gal/min]	[V/Hz]	[W]	[psi]		
Approved for block mounting, ambient temperature from +14 °F...+104 °F, with FKM seal and manual override								
CF C 3/2-way solenoid valve Direct-acting Normally closed 	Sub-base (SFB)	1.5	0.08	024/UC	7	0...145	o. r.	o. r.
				120/UC			o. r.	o. r.
		024/UC	7	o. r.	o. r.			
		120/UC		o. r.	o. r.			
	Sub-base (SFB)	2.0	0.13	024/UC	7	0...87	o. r.	o. r.
				120/UC			o. r.	o. r.

o. r. = on request

1.) Maximum allowable working pressure

DTS 1000582183 EN Version: E Status: RL (released) | freigegeben | validé | printed: 18.02.2025

Circuit function	Port connection	Orifice	C _v value water	Voltage/frequency	Coil power	Pressure range (MAWP ¹⁾)	Article no. PA body	Article no. Brass body
		[mm]	[gal/min]	[V/Hz]	[W]	[psi]		
Approved for single mounting, ambient temperature from + 14 °F... + 131 °F, with FKM seal, without manual override								
CF C 3/2-way solenoid valve Direct-acting Normally closed 	NPT 1/8	2.0	0.13	024/UC	9	0...145	o. r.	o. r.
				120/UC			o. r.	o. r.
	NPT 1/4		0.13	024/UC	9	0...145	o. r.	o. r.
				120/UC			o. r.	o. r.
	NPT 1/8	2.5	0.18	024/UC	9	0...87	o. r.	o. r.
				120/UC			o. r.	o. r.
	NPT 1/4		0.18	024/UC	9	0...87	o. r.	o. r.
				120/UC			o. r.	o. r.
CFT 3/2-way solenoid valve Direct-acting Flow direction optional Normally closed 	NPT 1/8	1.5	0.08	024/UC	9	0...7	o. r.	o. r.
				120/UC			o. r.	o. r.
	NPT 1/4		0.08	024/UC	9	0...102	o. r.	o. r.
				120/UC			o. r.	o. r.
With manual override								
CF C 3/2-way solenoid valve Direct-acting Normally closed 	NPT 1/8	2.0	0.13	024/UC	9	0...145	o. r.	o. r.
				120/UC			o. r.	o. r.
	NPT 1/4		0.13	024/UC	9	0...145	o. r.	o. r.
				120/UC			o. r.	o. r.
	NPT 1/8	2.5	0.18	024/UC	9	0...87	o. r.	o. r.
				120/UC			o. r.	o. r.
	NPT 1/4		0.18	024/UC	9	0...87	o. r.	o. r.
				120/UC			o. r.	o. r.
CFT 3/2-way solenoid valve Direct-acting Flow direction optional Normally closed 	NPT 1/8	1.5	0.08	024/UC	9	0...7	o. r.	o. r.
				120/UC			o. r.	o. r.
	NPT 1/4		0.08	024/UC	9	0...102	o. r.	o. r.
				120/UC			o. r.	o. r.

o. r. = on request
 1.) Maximum allowable working pressure

Further versions on request	
Additional Orifice: 1.2 mm, 3.0 mm	Voltage Non-standard voltages
Approval Further information can be found in chapter "3. Approvals and conformities" on page 5.	Material Epoxy coil according to form A Seal material EPDM

DTS 1000582183 EN Version: E Status: RL (released | freigegeben | validé) printed: 18.02.2025

9.5. Ordering chart accessories

Singel manifold

Note:

Refer to chapter "5.5. Single manifold" on page 16 for more order information.

Multiple manifold

Note:

Refer to chapter "5.6. Multiple manifold" on page 16 for more order information.

Cable plug Type 2509, form A according to DIN EN 175301 - 803

Note:

- Dimensions in mm
- Without circuitry (standard)
- The cable plug meets the requirements for UL hazloc Div. 2.
- The cable plug Type 2509 meets the requirements in accordance with UL Listed (UL 429) in assembly with a Bürkert solenoid valve.
- Refer to data sheet **Type 2509** ▶ for more information about the cable plug.

Cable plug	Dimensions	Version	Voltage	Article no.
		Without circuitry	0...250 V AC/DC	137943 𐀀

Cable plug Type 2518, form A according to DIN EN 175301 - 803

Note:




- Dimensions in mm
- For further versions see data sheet **Type 2518** ▶.

Cable plug	Dimensions	Version	Voltage	Article no.
		Without circuitry (AC/DC)	0...250 V AC/DC	314802 𐀀
		With LED (AC/DC)	12...24 V AC/DC	314812 𐀀
		With LED and varistor (AC/DC)	12...24 V AC/DC	314820 𐀀
		With rectifier, LED and varistor	12...24 V AC/DC	314816 𐀀

DTS 1000582183 EN Version: E Status: RL (released | freigegeben | validé) printed: 18.02.2025

Cable glands for ATEX/IECEX terminal box
Note:

- A cable gland in polyamide version is included in the delivery. A nickel-plated brass version can be ordered at surcharge.
- Refer to **"8.1. Cable glands for terminal box (UL Listed for hazardous locations, Class I, Division 2)"** on page 19 for more information about Ex cable glands.
- Refer to **"8.2. Special tool to turn the terminal box"** on page 19 for more information about special wrench.

Description	Article no.
Ex cable gland, nickel-plated brass, 6...13 mm ¹⁾	773278 
Ex cable gland, polyamide, 7...13 mm ¹⁾	773277 
Set SC02-AC10: special wrench ²⁾ incl. service manual	293488 

1.) Cable diameter

2.) Not included in the scope of delivery of the valve