



### Plunger valve 2/2 way direct-acting

- Direct-acting and compact small-format valve with diameter of up to DN 2.4
- Screwed coil system
- Simple and quick flange or manifold installation
- Quick coupling (push-in fitting) for plug-in hose connections

Product variants described in the data sheet may differ from the product presentation and description.

#### Can be combined with



**Type 2507**

Cable plug, form B according to industry standard



**Type 2516**

Cable plug, form C according to DIN EN 175301-803



#### Type description

Valve 6011 is a direct-acting plunger valve. The stopper and core guide tube are welded together to enhance pressure resistance and leak-tightness. Various seal material combinations are available depending on the application. A Bürkert-specific flange design (SFB) enables space-saving arrangement of valves on a manifold. Push-in fittings can be selected for flexible hose connection. In combination with a cable plug in accordance with industry standard Form B or DIN EN 175301-803 Form C, the valves satisfy protection class IP65.

## Table of contents

<b>1. General technical data</b>	<b>3</b>
<b>2. Circuit functions</b>	<b>3</b>
<b>3. Approvals and conformities</b>	<b>4</b>
3.1. General notes .....	4
3.2. Conformity .....	4
3.3. Standards .....	4
<b>4. Materials</b>	<b>5</b>
4.1. Bürkert resistApp .....	5
4.2. Material specifications .....	5
Standard variant .....	5
Plastic variant with plug-in coupling .....	5
<b>5. Dimensions</b>	<b>6</b>
5.1. Standard variant .....	6
Threaded variant .....	6
Sub-base variant .....	7
Pin assignment .....	7
Pin assignment vacuum applications .....	7
5.2. Plastic variant with plug-in coupling .....	7
5.3. Single manifold .....	8
5.4. Multiple manifold .....	8
Manifolds for valves with 20 mm coil (SG2) .....	8
<b>6. Ordering information</b>	<b>9</b>
6.1. Bürkert eShop .....	9
6.2. Bürkert product filter .....	9
6.3. Bürkert Product Enquiry Form .....	9
6.4. Ordering chart .....	10
Standard variant .....	10
Analytical variant .....	12
Plastic variant with plug-in coupling .....	12
6.5. Ordering chart accessories .....	13
Single manifold .....	13
Multiple manifold .....	13
Accessories for manifolds .....	13
Cable plug Type 2516, form C according to DIN EN 175301 - 803 .....	13
Cable plug Type 2507, form B according to industry standard .....	14

## 1. General technical data

Product properties	
Dimensions	Further information can be found in chapter "5. Dimensions" on page 6.
<b>Material</b>	
Seal	FKM
Body	Standard variant: Brass, polyamide (PA), stainless steel 1.4305 Analytical variant: Brass, stainless steel 1.4305
Weight	Approx. 125 g
Orifice	DN 1.2...DN 2.4
Circuit function	A Further information can be found in chapter "2. Circuit functions" on page 3.
Thermal insulation class of solenoid coil	Epoxy coil class H
Performance data	
<b>Duty cycle</b>	
Single valve	100 % continuous operation
For block mounting on multiple manifold	Intermittent operation 60 % (30 min) or with 2 W coil 100 % (on request)
Electrical data	
<b>Operating voltage</b>	
Standard variant	24 V DC, 24 V 50 Hz, 110/230 V 50 Hz
Analytical variant	24 V DC, 230 V 50 Hz
Voltage tolerance	± 10 %
Medium data	
<b>Operating medium</b>	
Standard variant	Technical vacuum, neutral gases and liquids (e.g. compressed air, water, hydraulic oil)
Analytical variant	Neutral/aggressive medium that do not attack the body and seal materials
Medium temperature	- 10 °C...+ 100 °C
Viscosity	Max. 21 mm <sup>2</sup> /s
Product connections	
Electrical connection	<ul style="list-style-type: none"> <li>Plug contacts according to DIN EN 175301 - 80 form C for cable plug <b>Type 2516</b> ▶. Further information can be found in chapter "Cable plug Type 2516, form C according to DIN EN 175301 - 803" on page 13.</li> <li>Plug contacts according to industry standard form B for cable plug <b>Type 2507</b> ▶. Further information can be found in chapter "Cable plug Type 2507, form B according to industry standard" on page 14.</li> </ul>
<b>Port connection</b>	
Standard variant	M5, G 1/8, sub-base
Analytical variant	G 1/8, sub-base
Approvals and conformities	
Degree of protection	IP65 with cable plug
Environment and installation	
Installation position	As required, preferably with actuator upright
Installation instructions	No oil, grease or silicones to be used as installation aids.
Ambient temperature	Max. + 55 °C

## 2. Circuit functions

Symbol	Description
	<b>Circuit function A (CF A)</b> 2/2-way solenoid valve Direct-acting Normally closed

### 3. Approvals and conformities

#### 3.1. General notes

- The approvals and conformities listed below must be stated when making enquiries. This is the only way to ensure that the product complies with all required specifications.
- Not all available variants can be supplied with the below mentioned approvals or conformities.

#### 3.2. Conformity

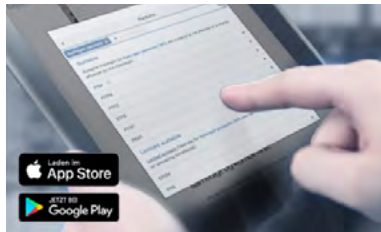
In accordance with the Declaration of Conformity, the product is compliant with the EU Directives.

#### 3.3. Standards

The applied standards which are used to demonstrate compliance with the EU Directives are listed in the EU-Type Examination Certificate and/or the EU Declaration of Conformity.

## 4. Materials

### 4.1. Bürkert resistApp



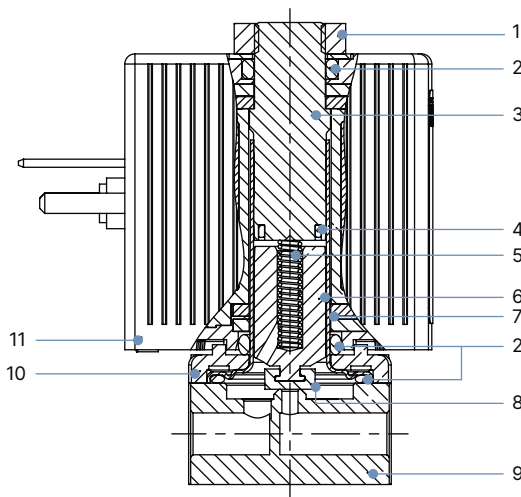
#### Bürkert resistApp – Chemical resistance chart

You want to ensure the reliability and durability of the materials in your individual application case? Verify your combination of media and materials on our website or in our resistApp.

[Start chemical resistance check](#)

### 4.2. Material specifications

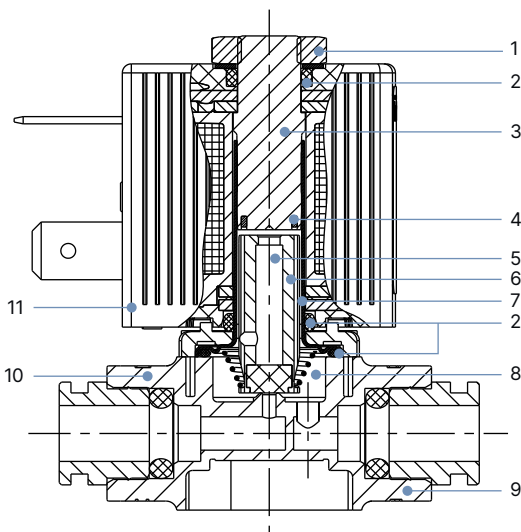
#### Standard variant



No.	Element	Material
1	Nut	9SMnPb28K Thick-film passivated
2	O-ring	FKM
3	Stopper	Stainless steel 1.4105
4	Shading ring	Copper, silver
5	Spring	Stainless steel 1.4310
6	Core	Stainless steel 1.4105
7	Guide tube	Stainless steel 1.4303
8	Armature seal	FKM
9	Body	Brass, stainless steel 1.4305, polyamide (PA)
10	Sub-base	Thick-film passivated (brass variant) Nickel-plated surface (stainless steel variant)
11	Coil	DIN EN 175301 - 803 <sup>1)</sup> form C: PA Industry standard connector form B: Epoxy

1.) previously DIN 43650

#### Plastic variant with plug-in coupling



No.	Element	Material
1	Nut	9SMnPb28K Thick-film passivated
2	O-ring	FKM, EPDM
3	Stopper	Stainless steel 1.4105
4	Shading ring	Copper, silver
5	Spring	Stainless steel 1.4310
6	Core	Stainless steel 1.4105
7	Guide tube	Stainless steel 1.4303
8	Armature seal	FKM, EPDM
9	Body	Polyamide (PA)
10	Sub-base	Thick-film passivated (brass variant) Nickel-plated surface (stainless steel variant)
11	Coil	DIN EN 175301 - 803 <sup>1)</sup> form C: PA Industry standard connector form B: Epoxy

1.) previously DIN 43650

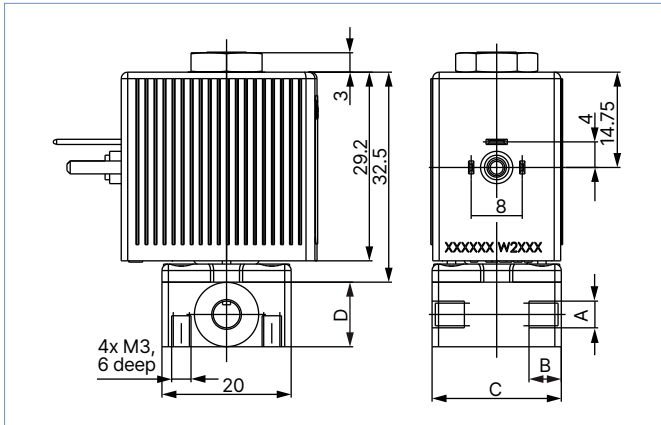
## 5. Dimensions

### 5.1. Standard variant

#### Threaded variant

**Note:**

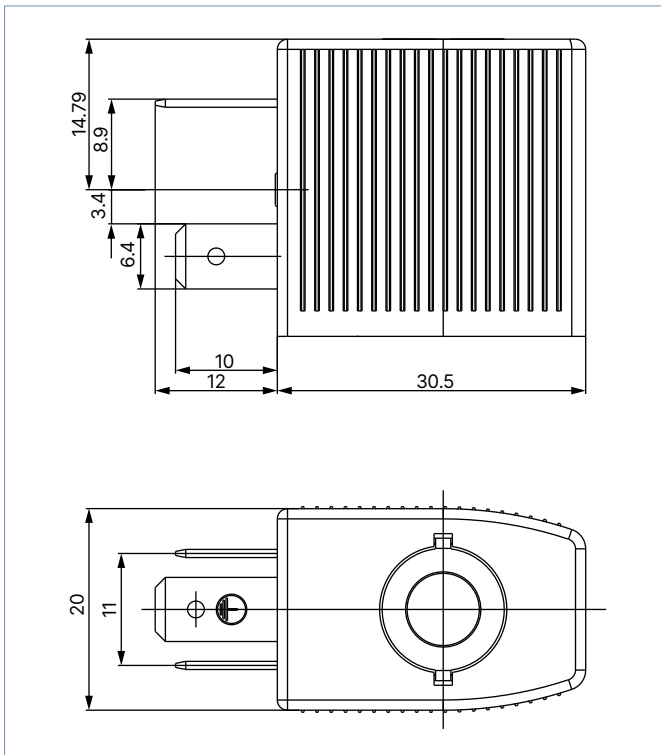
- Dimensions in mm
- Variant with coil according to DIN EN 175301 - 803 form C for cable plug Type 2516



Port connection	A	B	C	D
		[mm]	[mm]	[mm]
Thread	M5	5	20	10
	G 1/8	8	25	15

**Note:**

- Dimensions in mm
- Variant with coil according to industry standard form B for cable plug Type 2507

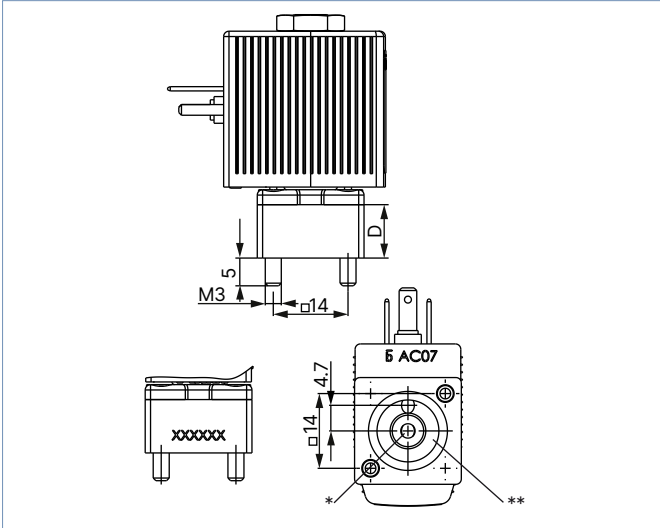


DTS 1000011026 EN Version: V Status: RL (released | freigegeben | valide) printed: 11.02.2026

**Sub-base variant**

**Note:**

- Dimensions in mm
- Variant with coil according to DIN EN 175301 - 803 form C for cable plug Type 2516



Port connection	A	B	C	D
		[mm]	[mm]	[mm]
Sub-base	-	-	20	11

**Pin assignment**

For the positions marked with \* or \*\* in the drawing, the connections are marked with the letters shown in the table above, depending on the circuit function.

Circuit function	Connection type	
	*	**
A	P	A

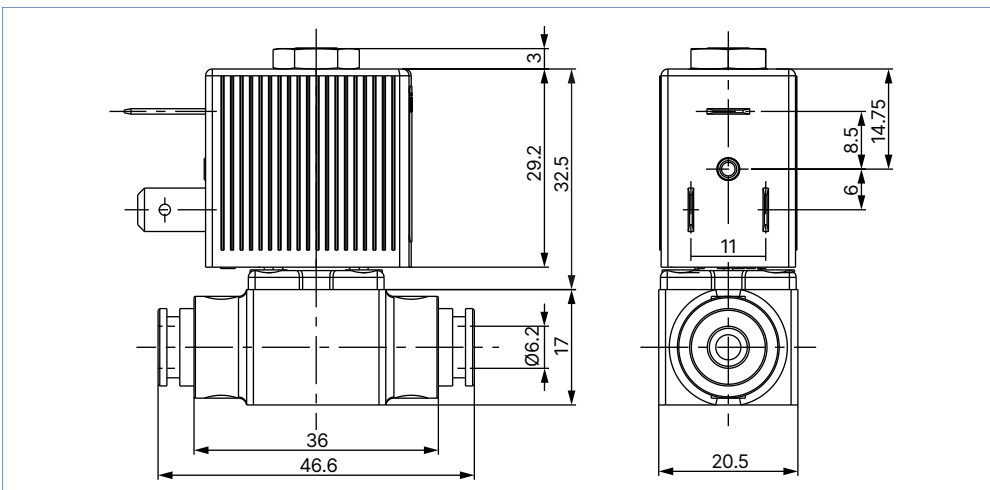
**Pin assignment vacuum applications**

In vacuum applications the existing flow direction must be maintained. Vacuum must therefore always be applied to A. (Other terminal assignment on request)

**5.2. Plastic variant with plug-in coupling**

**Note:**

Dimensions in mm

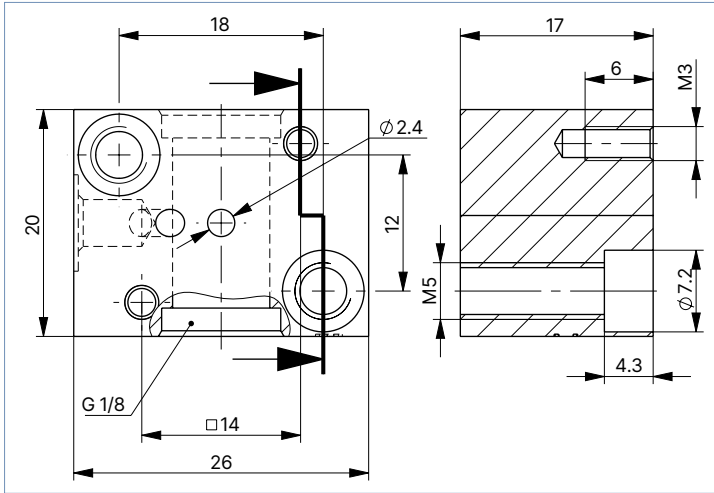


DTS 1000011026 EN Version: V Status: RL (released | freigegeben | valide) printed: 11.02.2026

### 5.3. Single manifold

**Note:**

Dimensions in mm



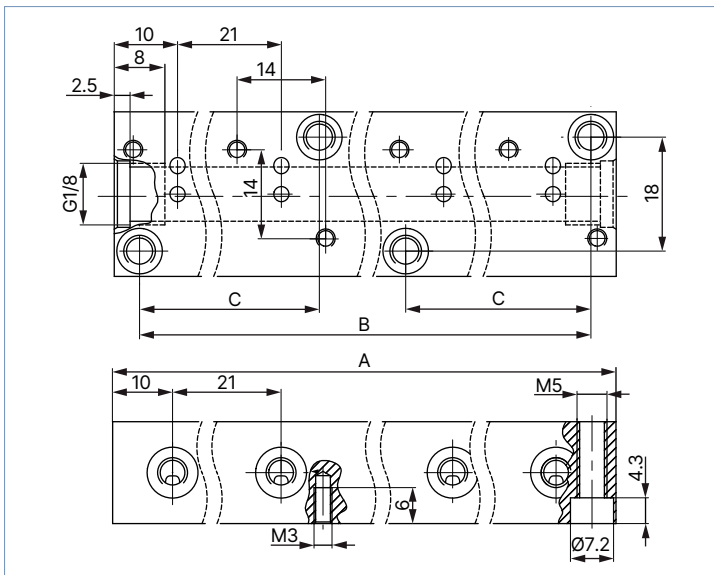
Quantity of valve slots	A [mm]	B [mm]	C [mm]	Article no.
1	20	12	-	005312

### 5.4. Multiple manifold

**Manifolds for valves with 20 mm coil (SG2)**

**Note:**

- Dimensions in mm
- Made of aluminium, anodized
- Can only be combined with variants circuit function C (normally closed)



Quantity of valve slots	A [mm]	B [mm]	C [mm]	Article no.
2	41	33	-	005355
3	62	54	-	005313
4	83	75	-	005314
5	104	96	-	005315
6	125	117	-	005316
7	146	138	-	005893
8	167	159	54	005166
9	188	180	54	005241
10	209	201	75	005819
11	230	222	75	005242
12	251	243	96	005222

DTS 1000011026 EN Version: V Status: RL (released | freigegeben | valide) printed: 11.02.2026

## 6. Ordering information

### 6.1. Bürkert eShop



#### Bürkert eShop – Easy ordering and quick delivery

You want to find your desired Bürkert product or spare part quickly and order directly? Our online shop is available for you 24/7. Sign up and enjoy all the benefits.

[Order online now](#)

### 6.2. Bürkert product filter

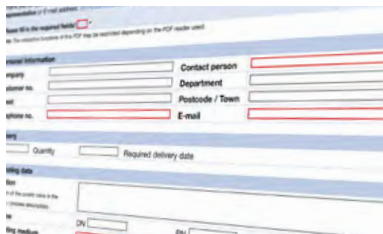


#### Bürkert product filter – Get quickly to the right product

You want to select products comfortably based on your technical requirements? Use the Bürkert product filter and find suitable articles for your application quickly and easily.

[Try out our product filter](#)

### 6.3. Bürkert Product Enquiry Form



#### Bürkert Product Enquiry Form – Your enquiry quickly and compactly

Would you like to make a specific product enquiry based on your technical requirements? Use our Product Enquiry Form for this purpose. There you will find all the relevant information for your Bürkert contact. This will enable us to provide you with the best possible advice.

[Fill out the form now](#)

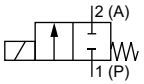
DTS 1000011026 EN Version: V Status: RL (released | freigegeben | valide) printed: 11.02.2026

### 6.4. Ordering chart

#### Standard variant

**Note:**

- All valves complete with coil and FKM seal material and are supplied without a cable plug.
- Other variants are available on request.
- The previous standard DIN 43650 has been replaced by DIN EN 175301 - 803 form C.

Circuit function	Port connection	Orifice	K <sub>v</sub> value water	Voltage/ Frequency	Pressure range <sup>1)</sup>	Article no. Brass body	Article no. Stainless steel body
		[mm]	[m <sup>3</sup> /h]				
<b>Solenoid valve complete in threaded or sub-base variant with coil according to DIN EN 175 301 - 803 form C for cable plug Type 2516</b>							
<b>CF A</b> 2/2-way solenoid valve Direct-acting Normally closed 	M5	1.2	0.045	024/DC	0...12	134084 ☒	-
				024/50	0...21	134085 ☒	-
				110/50	0...21	134086 ☒	-
				230/50	0...21	134087 ☒	-
	M5	1.6	0.06	024/DC	0...6	134088 ☒	-
				024/50	0...12	134089 ☒	-
				110/50	0...12	134090 ☒	-
				230/50	0...12	134091 ☒	-
	G 1/8	0.06	024/DC	0...6	134071 ☒	134103 ☒	
			024/50	0...12	134092 ☒	134104 ☒	
			110/50	0...12	134093 ☒	134105 ☒	
			230/50	0...12	134094 ☒	134106 ☒	
	G 1/8	2.0	0.11	024/DC	0...4.5	134095 ☒	134107 ☒
				024/50	0...8	134096 ☒	134108 ☒
				110/50	0...8	134097 ☒	134109 ☒
				230/50	0...8	134098 ☒	134110 ☒
	G 1/8	2.4	0.13	024/DC	0...3	134099 ☒	134111 ☒
				024/50	0...6	134100 ☒	134112 ☒
				110/50	0...6	134101 ☒	134113 ☒
				230/50	0...6	134102 ☒	134114 ☒
	Sub-base	1.2	0.045	024/DC	0...12	134115 ☒	-
				024/50	0...21	134116 ☒	-
				110/50	0...21	134117 ☒	-
				230/50	0...21	134118 ☒	-
	Sub-base	1.6	0.06	024/DC	0...6	134119 ☒	134131 ☒
				024/50	0...12	134120 ☒	134132 ☒
				110/50	0...12	134121 ☒	134133 ☒
				230/50	0...12	134122 ☒	134134 ☒
Sub-base	2.0	0.11	024/DC	0...4.5	134123 ☒	134135 ☒	
			024/50	0...8	134124 ☒	134136 ☒	
			110/50	0...8	134125 ☒	134137 ☒	
			230/50	0...8	134126 ☒	134138 ☒	
Sub-base	2.4	0.13	024/DC	0...3	134127 ☒	-	
			024/50	0...6	134128 ☒	-	
			110/50	0...6	134129 ☒	-	
			230/50	0...6	134130 ☒	-	

DTS 1000011026 EN Version: V Status: RL (released | freigegeben | valide) printed: 11.02.2026

Circuit function	Port connection	Orifice	K <sub>v</sub> value water	Voltage/ Frequency	Pressure range <sup>1.)</sup>	Article no. Brass body	Article no. Stainless steel body
		[mm]	[m <sup>3</sup> /h]	[V/Hz]	[bar]		
<b>Solenoid valve complete in threaded or sub-base variant with coil according to industry standard form B for cable plug Type 2507</b>							
<b>CF A</b> 2/2-way solenoid valve Direct-acting Normally closed  	M5	1.2	0.045	024/DC	0...12	163491	-
				024/50	0...21	163492	-
				110/50	0...21	163493	-
				230/50	0...21	163494	-
	M5	1.6	0.06	024/DC	0...6	163495	-
				024/50	0...12	163496	-
				110/50	0...12	163497	-
				230/50	0...12	163498	-
	G 1/8	1.6	0.06	024/DC	0...6	163499	163509
				024/50	0...12	163500	163510
				110/50	0...12	163501	163511
				230/50	0...12	163502	163512
	G 1/8	2.0	0.11	024/DC	0...4.5	163503	163513
				024/50	0...8	163504	163514
				110/50	0...8	163505	163515
				230/50	0...8	163506	163516
	G 1/8	2.4	0.13	024/DC	0...3	161193	163517
				024/50	0...6	163507	163518
				110/50	0...6	163508	163519
				230/50	0...6	161194	163520
	Sub-base	1.2	0.045	024/DC	0...12	163521	-
				024/50	0...21	163522	-
				110/50	0...21	163523	-
				230/50	0...21	163524	-
	Sub-base	1.6	0.06	024/DC	0...6	163525	163537
				024/50	0...12	163526	163538
				110/50	0...12	163527	163539
				230/50	0...12	163528	163540
	Sub-base	2.0	0.11	024/DC	0...4.5	163529	163541
				024/50	0...8	163530	163542
				110/50	0...8	163531	163543
				230/50	0...8	163532	163544
	Sub-base	2.4	0.13	024/DC	0...3	163533	-
				024/50	0...6	163534	-
				110/50	0...6	163535	-
				230/50	0...6	163536	-

-- = not available

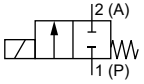
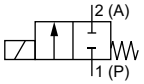
1.) Pressure data: overpressure to atmospheric pressure

DTS 1000011026 EN Version: V Status: RL (released | freigegeben | valide) printed: 11.02.2026

**Analytical variant**

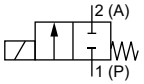
**Note:**

- All valves complete with coil (4 W) and FKM seal material and are supplied without a cable plug.
- Other variants are available on request.
- The previous standard DIN 43650 has been replaced by DIN EN 175301 - 803 form C.

Circuit function	Port connection	Orifice	K <sub>v</sub> value water	Voltage/ Frequency	Pressure range <sup>1)</sup>	Article no. Brass body	Article no. Stainless steel body
		[mm]	[m <sup>3</sup> /h]	[V/Hz]	[bar]		
<b>Solenoid valve complete in threaded or sub-base variant with coil according to DIN EN 175 301 - 803 form C for cable plug Type 2516</b>							
<b>CF A</b> 2/2-way solenoid valve Direct-acting Normally closed 	G 1/8	1.6	0.06	024/DC	0...6	137794 ☒	137800 ☒
				230/50	0...12	137795 ☒	137801 ☒
	G 1/8	2.0	0.11	024/DC	0...4.5	137796 ☒	137802 ☒
				230/50	0...8	137797 ☒	137803 ☒
	G 1/8	2.4	0.13	024/DC	0...3	137798 ☒	137804 ☒
				230/50	0...6	137799 ☒	137805 ☒
	Sub-base	1.2	0.045	024/DC	0...12	137806 ☒	137812 ☒
				230/50	0...21	137807 ☒	137813 ☒
	Sub-base	1.6	0.06	024/DC	0...6	137808 ☒	137814 ☒
				230/50	0...12	137809 ☒	137815 ☒
	Sub-base	2.0	0.11	024/DC	0...4.5	137810 ☒	137816 ☒
				230/50	0...8	137811 ☒	137817 ☒
<b>Solenoid valve complete in threaded or flanged variant with electrical coil according to industry standard connector form B for cable plug Type 2507</b>							
<b>CF A</b> 2/2-way solenoid valve Direct-acting Normally closed 	G 1/8	1.6	0.06	024/DC	0...6	163545 ☒	163551 ☒
				230/50	0...12	163546 ☒	163552 ☒
	G 1/8	2.0	0.11	024/DC	0...4.5	163547 ☒	163553 ☒
				230/50	0...8	163548 ☒	163554 ☒
	G 1/8	2.4	0.13	024/DC	0...3	163549 ☒	163555 ☒
				230/50	0...6	163550 ☒	163556 ☒
	Sub-base	1.2	0.045	024/DC	0...12	163557 ☒	163563 ☒
				230/50	0...21	163558 ☒	163564 ☒
	Sub-base	1.6	0.06	024/DC	0...6	163559 ☒	163565 ☒
				230/50	0...12	163560 ☒	163566 ☒
	Sub-base	2.0	0.11	024/DC	0...4.5	163561 ☒	163567 ☒
				230/50	0...8	163562 ☒	163568 ☒

1.) Pressure data: overpressure to atmospheric pressure

**Plastic variant with plug-in coupling**

Circuit function	Orifice	K <sub>v</sub> value water	Voltage/ requecy	Pressure range <sup>1)</sup>	Seal material	Article no.
	[mm]	[m <sup>3</sup> /h]	[V/Hz]	[bar]		
<b>Solenoid valve complete with seal material FKM and plastic housing with hose plug connection for external hose with diameter 6 mm and coil according to industry standard form B for cable plug Type 2507</b>						
<b>CF A</b> 2/2-way solenoid valve Direct-acting Normally closed 	1.5	0.06	230/50	6	FKM	319647 ☒
	2.7	0.15	230/50	3	FKM	319650 ☒

1.) Pressure data: overpressure to atmospheric pressure

DTS 1000011026 EN Version: V Status: RL (released | freigegeben | valide) printed: 11.02.2026

### 6.5. Ordering chart accessories

#### Single manifold

**Note:**

Further ordering information can be found in chapter "5.3. Single manifold" on page 8.

#### Multiple manifold

**Note:**

Further ordering information can be found in chapter "5.4. Multiple manifold" on page 8.

#### Accessories for manifolds

Accessory	Features	Article no.
Lock screw	With seal ring, G 1/8	005041
Cover plate	For unoccupied valve position	005100

#### Cable plug Type 2516, form C according to DIN EN 175301 - 803

**Note:**

- Dimensions in mm
- Delivery of cable plug includes a flat seal and a fastening screw.
- For further variants see data sheet [Type 2516](#) ▶.

Cable plug	Dimensions	Variant	Voltage	Article no.
		Without wiring	0...250 V AC/DC	303141
		With LED	12...24 V AC/DC	303145
		With LED and varistor	12...24 V AC/DC	303148
		With rectifier, LED and varistor	12...24 V AC/DC	303142

DTS 1000011026 EN Version: V Status: RL (released | freigegeben | valide) printed: 11.02.2026

**Cable plug Type 2507, form B according to industry standard**

**Note:**

- Dimensions in mm
- Delivery of cable plug includes a flat seal and a fastening screw.
- Refer to data sheet **Type 2507** ▶ for more information about the cable plug.

Cable plug	Dimensions	Variant	Voltage	Article no.
		Without wiring (standard)	2...250 V AC/DC	423845
		With LED	24 V AC/DC	423849
		With LED and free-wheeling diode	12...24 V AC/DC	423851
		With rectifier, LED and varistor	12...24 V AC/DC	423853
			2...250 V AC/DC	423854

DTS 1000011026 EN Version: V Status: RL (released | freigegeben | valide) printed: 11.02.2026