






### Piston valve 2/2-way servo-assisted

- Push-over solenoid system
- NC valves, certified in accordance with DIN EN ISO 23553 - 1
- Supply or circulation valve for liquid fuels
- IP65



Product variants described in the data sheet may differ from the product presentation and description.

#### Can be combined with

	<b>Type 2518</b> Cable plug, form A according to DIN EN 175301 - 803	▶
	<b>Type 6027</b> Direct-acting 2/2-way plunger valve	▶
	<b>Type 5407</b> Direct-acting 2/2-way lifting armature valve	▶

## Table of contents

<b>1. General technical data</b>	<b>3</b>
<b>2. Circuit functions</b>	<b>3</b>
<b>3. Approvals and conformities</b>	<b>4</b>
3.1. General notes.....	4
3.2. Conformity .....	4
3.3. Standards.....	4
3.4. North America (USA/Canada) .....	4
<b>4. Materials</b>	<b>5</b>
4.1. Bürkert resistApp .....	5
4.2. Material specifications .....	5
Standard version DN 13 and DN 20.....	5
<b>5. Dimensions</b>	<b>6</b>
5.1. Standard version DN 13 and DN 20.....	6
<b>6. Ordering information</b>	<b>7</b>
6.1. Bürkert eShop .....	7
6.2. Bürkert product filter.....	7
6.3. Bürkert Product Enquiry Form .....	7
6.4. Ordering chart .....	7
Flow valve/return valve combinations.....	7
6.5. Ordering chart accessories.....	8
Cable plug Type 2518, form A according to DIN EN 175301 - 803 .....	8

## 1. General technical data

Product properties	
Dimensions	Further information can be found in chapter "5. Dimensions" on page 6.
Material	
Seal	Seat: PTFE Housing: FKM
Body	Brass, stainless steel
Coil	Epoxy
Orifice	DN 13, DN 20
Circuit function	A and B Further information can be found in chapter "2. Circuit functions" on page 3.
Thermal insulation class of solenoid	Epoxy coil class H
Performance data	
Duty cycle	100 % continuous operation
Electrical data	
Operating voltage	110 V/50 Hz, 230 V/50 Hz (further voltages on request)
Medium data	
Operating medium	Heating oil (EL, L, M, S) according to DIN 51603 part 1 - 6 Shipping fuels according to ISO 8217 Only with stainless steel body: Fatty acid methyl esters (FAME) according to DIN EN 14213 Rapeseed oil according to DIN V 51605
Medium temperature	0 °C...+160 °C
Viscosity	Max. 1.6...76 mm <sup>2</sup> /s
Process/Port connection & communication	
Electrical connection	Plug contacts according to DIN EN 175 301 - 803 form A for cable plug <b>Type 2518</b> ▶. Further information can be found in chapter "Cable plug Type 2518, form A according to DIN EN 175301 - 803" on page 8.
Port connection	G ¾, G ½, G ¼
Approvals and conformities	
DIN CERTCO registration (NC valves, DN 13, DN 20)	Reg. No.: 5S255
Degree of protection	IP65
North America (USA/Canada)	Further information can be found in chapter "3.4. North America (USA/Canada)" on page 4.
Environment and installation	
Installation position	As required, preferably with actuator upright
Ambient temperature	- 15 °C...+60 °C

## 2. Circuit functions

Symbol	Description
	<b>Circuit function A (CF A)</b> 2/2-way solenoid valve Servo-controlled Normally closed
	<b>Circuit function B (CF B)</b> 2/2-way solenoid valve Servo-controlled Normally open

DTS 1000158188 EN Version: F Status: RL (released | freigegeben | valide) printed: 15.01.2024

### 3. Approvals and conformities

#### 3.1. General notes

- The approvals and conformities listed below must be stated when making enquiries. This is the only way to ensure that the product complies with all required specifications.
- Not all available versions can be supplied with the below mentioned approvals or conformities.



#### 3.2. Conformity

In accordance with the Declaration of Conformity, the product is compliant with the EU Directives.

#### 3.3. Standards

The applied standards which are used to demonstrate compliance with the EU Directives are listed in the EU-Type Examination Certificate and/or the EU Declaration of Conformity.

#### 3.4. North America (USA/Canada)

Approval	Description
	<p><b>Optional: UL Recognized for the USA and Canada (valid for coils)</b>                      The coils are UL Recognized for the USA and Canada according to:</p> <ul style="list-style-type: none"> <li>• UL 429 (electrically operated valves)</li> <li>• CAN/CSA-C22.2 No. 139</li> </ul>
	<p><b>Optional: UL Hazardous Locations – Explosion Protection (valid for coils)</b>                      UL Listed for Hazardous Locations for USA and Canada                      Class I, Zone 1                      Class I, Division 2, Group A, B, C and D                      Class II + III, Division 2, Group F and G</p>

DTS 1000158188 EN Version: F Status: RL (released | freigegeben | validé) printed: 15.01.2024

## 4. Materials

### 4.1. Bürkert resistApp



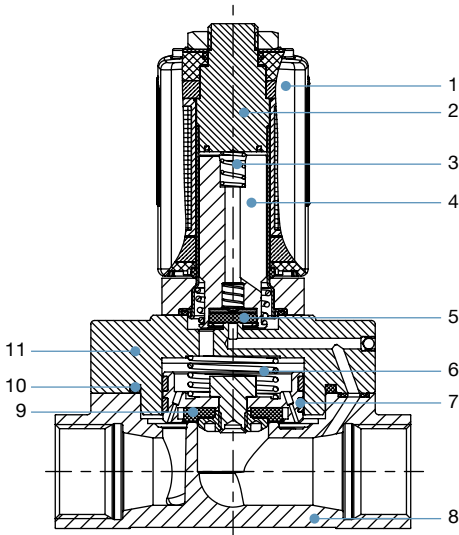
#### Bürkert resistApp – Chemical resistance chart

You want to ensure the reliability and durability of the materials in your individual application case? Verify your combination of media and materials on our website or in our resistApp.

[Start chemical resistance check](#)

### 4.2. Material specifications

#### Standard version DN 13 and DN 20



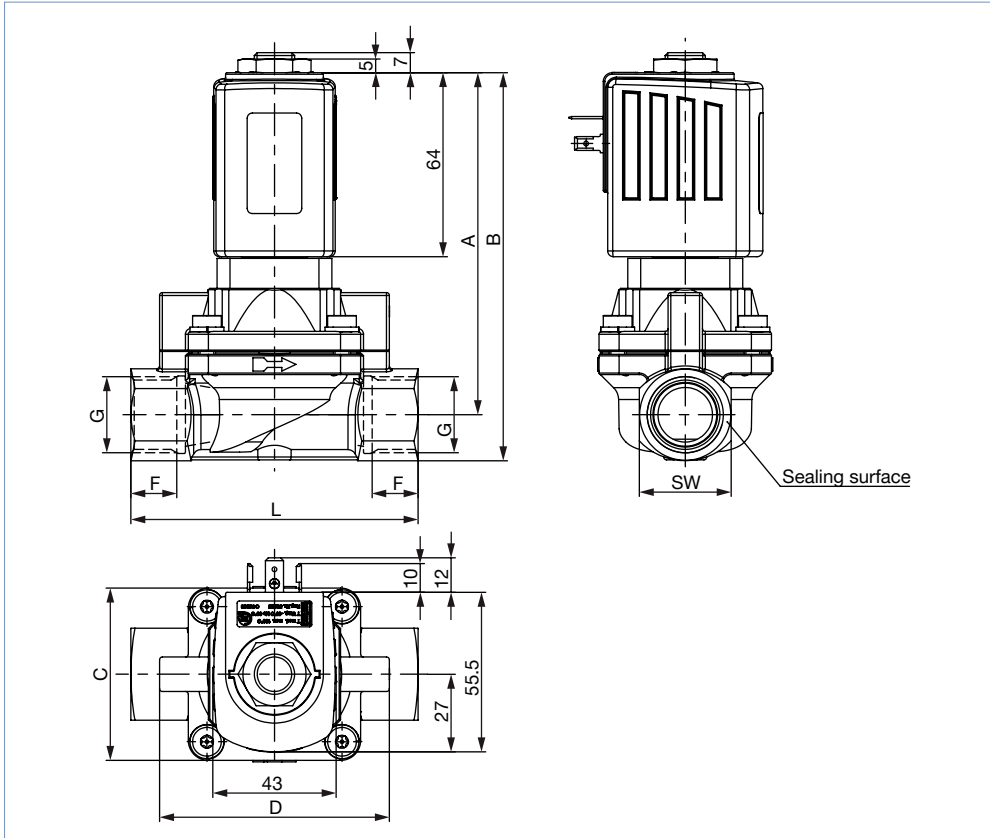
No.	Element	Material
1	Coil	Epoxy
2	Stopper	1.4113
3	Spring	1.4310
4	Plunger	1.4105
5	Seat seal	PTFE
6	Spring	1.4310
7	Piston seal	PTFE/graphite
8	Valve body	DN 13 brass DN 20 stainless steel 1.4581
9	Seat sealing	PTFE
10	Seal ring	FKM
11	Cover	DN 13 brass DN 20 stainless steel 1.4581

## 5. Dimensions

### 5.1. Standard version DN 13 and DN 20

**Note:**


Dimensions in mm



DN	A	B	C	D	F	G	L	SW	Sealing surface
13	118	131.5	40	57	12	G 3/8	75	27	17×21
					14	G 1/2			22×27
20	119	135	60	80	16	G 3/4	100	32	27×32

## 6. Ordering information

### 6.1. Bürkert eShop

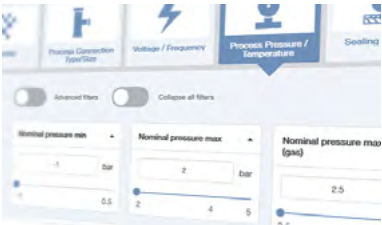


**Bürkert eShop – Easy ordering and quick delivery**

You want to find your desired Bürkert product or spare part quickly and order directly? Our online shop is available for you 24/7. Sign up and enjoy all the benefits.

[Order online now](#)

### 6.2. Bürkert product filter

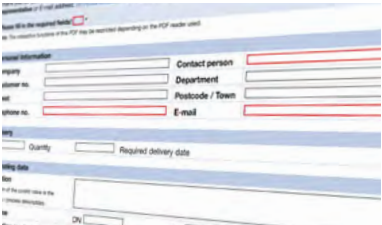


**Bürkert product filter – Get quickly to the right product**

You want to select products comfortably based on your technical requirements? Use the Bürkert product filter and find suitable articles for your application quickly and easily.

[Try out our product filter](#)

### 6.3. Bürkert Product Enquiry Form



**Bürkert Product Enquiry Form – Your enquiry quickly and compactly**

Would you like to make a specific product enquiry based on your technical requirements? Use our Product Enquiry Form for this purpose. There you will find all the relevant information for your Bürkert contact. This will enable us to provide you with the best possible advice.

[Fill out the form now](#)

### 6.4. Ordering chart

#### Flow valve/return valve combinations

If the oil burner is designed with a return nozzle and without a nozzle shut-off valve (see DIN EN 267), flow and return valves with safety shut-off function are required. The following combinations are possible:

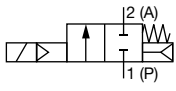
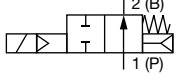
Feed line valve				Return line valve			
Type	Orifice [mm]	Housing material	K <sub>v</sub> value water [m <sup>3</sup> /h]	Type	Orifice [mm]	Housing material	K <sub>v</sub> value water [m <sup>3</sup> /h]
6027	3	Brass/stainless steel	0.22	6027	3	Brass/stainless steel	0.18
6027	3.5	Brass/stainless steel	0.38	6027	3.5	Brass/stainless steel	0.35
5406 <sup>1)</sup>	13	Brass	3.5	6027	10	Brass	1.8
5406 <sup>1)</sup>	20	Stainless steel	6.3	5407 <sup>2)</sup>	20	Stainless steel	4.7

1.) See data sheet **Type 6027** ▶ solenoid valve safety shut off valve for oil burner  
 2.) See data sheet **Type 5407** ▶ solenoid valve safety shut off valve for oil burner

DTS 1000158188 EN Version: F Status: RL (released | freigegeben | valide) printed: 15.01.2024

**Note:**

Further versions with alternative voltages and frequencies available on request.

Circuit function	Port connection	Orifice [mm]	K <sub>v</sub> value water [m <sup>3</sup> /h]	Applications	Closing times [ms]	Electrical power		Pressure range Oil [bar]	Body material	Article no.	
						Operation	Inrush			110...120/50	220...240/50
						[W]	[VA]			[V/Hz]	[V/Hz]
<b>G-inner thread, seal material PTFE/FKM</b>											
<b>DIN EN ISO 23553 - 1 Safety isolating equipment for liquid fuels PF15</b>											
<b>CF A</b> 2/2-way solenoid valve Servo-controlled Normally closed 	G 3/8	13.0	3.5 3.0	Feed line	<500	20	120	1...30	Brass	270861 ☞	257496 ☞
	G 1/2	13.0	3.3 3.0	Feed line	<500	20	120	1...30	Brass	233267 ☞	230462 ☞
	G 3/4	20.0	6.3	Feed line	<800	20	120	1...30	Stainless steel	233270 ☞	239769 ☞
<b>Normally open without approval DIN EN ISO 23553 - 1, but adapted for use with liquid fuels MW85</b>											
<b>CF B</b> 2/2-way solenoid valve Servo-controlled Normally open 	G 3/8	13.0	3.5 3.0	Circulation	<500	20	120	1...30	Brass	382364 ☞	328969 ☞
	G 1/2	13.0	3.3 3.0	Circulation	<500	20	120	1...30	Brass	o. r.	233271 ☞


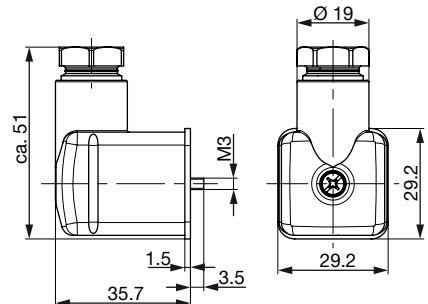
o. r. = on request

**6.5. Ordering chart accessories**

**Cable plug Type 2518, form A according to DIN EN 175301 - 803**

**Note:**

- Dimensions in mm
- For further versions see data sheet **Type 2518** ▶

Cable plug	Dimensions	Version	Voltage	Article no.
		Without circuitry (AC/DC) with silicone seal for higher ambient temperature, e.g. steam version (NA07)	0...250 V AC/DC	361687 ☞

DTS 1000158188 EN Version: F Status: RL (released | freigegeben | validé) printed: 15.01.2024