






Servo-assisted 2/2-way diaphragm valve

- Servo-assisted diaphragm valve up to DN 65 orifice
- Separating diaphragm for aggressive and contaminated media
- Closing and opening times can be adjusted individually
- Explosion-proof variants (Cat. 2)
- Service-friendly manual override

Product variants described in the data sheet may differ from the product presentation and description.

Can be combined with

| | | |
|-------------------------------------------------------------------------------------|-----------------------------------------------------------------------------|---|
|  | Type 2518 Cable plug, form A according to DIN EN 175301-803 | ▶ |
|  | Type 1087 Timer, form A according to DIN EN 175301-803 | ▶ |
|  | Type 2509 Cable plug, form A according to DIN EN 175301-803 | ▶ |

Type description

The 5282 valve is a servo-assisted diaphragm valve. A minimum differential pressure is required for the valve to function. Various diaphragm material combinations and circuit functions are available depending on the application. The standard brass body satisfies all European drinking water requirements. The body offering is completed with stainless steel variants. The 3/2-way pilot valve can be easily converted from NC to NO circuit function by rotating it on the armature. The solenoid coils are moulded with a chemically resistant epoxy. The 5282 is equipped with manual override for start-up and testing. NEMA 4X is available on request.

Table of contents

| | |
|---------------------------------------------------------------------|-----------|
| 1. General technical data | 3 |
| 2. Circuit functions | 4 |
| 3. Approvals and conformities | 4 |
| 3.1. General notes | 4 |
| 3.2. Conformity | 4 |
| 3.3. Standards | 4 |
| 3.4. Explosion protection | 5 |
| 3.5. North America (USA/Canada) | 5 |
| 3.6. Drinking water | 5 |
| 3.7. Others | 6 |
| DNV GL classification | 6 |
| 4. Materials | 6 |
| 4.1. Bürkert resistApp | 6 |
| 4.2. Material specifications | 6 |
| 5. Dimensions | 7 |
| 5.1. Standard variant | 7 |
| Threaded variant | 7 |
| Flange variant according to DIN EN 1092 - 1 | 8 |
| 5.2. ATEX/IECEx variant | 9 |
| Threaded variant | 9 |
| Flange variant according to DIN EN 1092 - 1 | 10 |
| 6. Product installation | 11 |
| 6.1. Mounting options | 11 |
| 7. Product accessories | 11 |
| 7.1. Cable glands for ATEX/IECEx terminal box | 11 |
| 7.2. Special tool to turn the terminal box | 12 |
| 8. Ordering information | 12 |
| 8.1. Bürkert eShop | 12 |
| 8.2. Bürkert product filter | 12 |
| 8.3. Bürkert Product Enquiry Form | 12 |
| 8.4. Ordering chart | 13 |
| Basic variant | 13 |
| Standard variant with brass body | 14 |
| Standard variant in brass with stainless steel flange body | 15 |
| Standard variant with stainless steel body | 16 |
| ATEX/IECEx variant | 17 |
| 8.5. Ordering chart accessories | 18 |
| Cable plug Type 2518, form A according to DIN EN 175301 - 803 | 18 |
| Cable plug Type 2509, form A according to DIN EN 175301 - 803 | 18 |
| Cable glands for ATEX/IECEx terminal box | 18 |

1. General technical data

| Product properties | |
|-------------------------------------------|------------------------------------------------------------------------------------------------------------------------------------------------------------------------------------------------------------------------------------------------------------------------------------------------------------------------------------------------------------------------------------------------------------------------------------------------------------------|
| Dimensions | Further information can be found in chapter "5. Dimensions" on page 7. |
| Material | |
| Seal | NBR, EPDM, FKM |
| Flange body | Stainless steel 1.4581/316CB |
| Threaded body | Brass according to DIN EN 50930 - 6 DN 13 stainless steel CF3M DN 20...DN 50 stainless steel 1.4581/316CB |
| Coil | Epoxy |
| Internal valve parts | Stainless steel, brass |
| Orifice | DN 13...DN 65 |
| Circuit function | A and B Further information can be found in chapter "2. Circuit functions" on page 4. |
| Thermal insulation class of solenoid coil | Epoxy coil class H |
| Performance data | |
| Duty cycle | 100 % continuous operation |
| Switching time ¹⁾ | Opening: 0.1...0.8 s Closing: 1.0...4.0 s |
| Electrical data | |
| Operating voltage | 24 V DC, 24 V 56 Hz, 230 V 56 Hz, 24 V AC/DC, 230 V AC/DC |
| Power consumption | |
| Standard variant | Inrush: AC 30 VA Operation: AC 15/8 VA W DC cold/warm: 11/8 W |
| Explosion-proof variant | Inrush: AC 40 VA Operation: AC 3 VA W DC cold/warm: 40 W inrush / 3 W operation |
| Voltage tolerance | ± 10 % |
| Medium data | |
| Operating medium | |
| With NBR | Neutral gases and liquids (e.g. compressed air, water, hydraulic oil) |
| With EPDM | Oil-free and grease-free media, alkalis, hot water |
| With FKM | Hot air, per solutions, hot oils |
| Medium temperature | |
| With NBR | 0 °C...+ 80 °C |
| With EPDM | - 25 °C...+ 90 °C |
| With FKM | 0 °C...+ 90 °C |
| Product connections | |
| Electrical connection | |
| Standard variant | <ul style="list-style-type: none"> Cable plug Type 2518 ▶, form A according to DIN EN 175301 - 803 Further information can be found in chapter "Cable plug Type 2518, form A according to DIN EN 175301 - 803" on page 18. Cable plug Type 2509 ▶, form A according to DIN EN 175301 - 803 Further information can be found in chapter "Cable plug Type 2509, form A according to DIN EN 175301 - 803" on page 18. |
| Explosion-proof variant | Moulded 3 meter cable, 3 × 0.5 mm ² Terminal box |
| Approvals and conformities | |
| Directive | CE, EAC |
| Degree of protection | IP65 with cable plug according to DIN EN 175301 - 803 form A IP65 with cable connection or terminal box |
| Explosion protection | Further information can be found in chapter "3.4. Explosion protection" on page 5. |
| North America (USA/Canada) | Further information can be found in chapter "3.5. North America (USA/Canada)" on page 5. |
| Others | Further information can be found in chapter "3.7. Others" on page 6. |

Environment and installation

| | |
|-----------------------|-----------------------------------------------|
| Installation position | As required, preferably with actuator upright |
| Ambient temperature | Max. + 55 °C |

1.) Measurement at + 20 °C, 6 bar at the valve outlet, opening: pressure build-up 0...90 %, closing: pressure reduction 100...10 %
 The switching time can be changed by turning the throttle screws (in the housing lid).

2. Circuit functions

| Symbol | Description |
|--------|-------------------------------------------------------------------------------------------------------------------------|
| | Circuit function A (CF A) 2/2-way solenoid valve Servo-controlled Normally closed |
| | Circuit function A (CF A) 2/2-way solenoid valve Servo-controlled, with manual override Normally closed |
| | Circuit function B (CF B) 2/2-way solenoid valve Servo-controlled Normally open |
| | Circuit function B (CF B) 2/2-way solenoid valve Servo-controlled, with manual override Normally open |

3. Approvals and conformities

3.1. General notes

- The approvals and conformities listed below must be stated when making enquiries. This is the only way to ensure that the product complies with all required specifications.
- Not all available variants can be supplied with the below mentioned approvals or conformities.

3.2. Conformity



In accordance with the Declaration of Conformity, the product is compliant with the EU Directives.

3.3. Standards






The applied standards which are used to demonstrate compliance with the EU Directives are listed in the EU-Type Examination Certificate and/or the EU Declaration of Conformity.

DTS 1000011015 EN Version: X Status: RL (released | freigegeben | valide) printed: 26.02.2026


3.4. Explosion protection

| Approval | Description | | | | | |
|---------------------------------------------------------------------------------------------------------------------------------------------------------------------------------------------------------------------------------------------------------------------------------------------------------------------------------|--------------------------------------------------------------------------------------------------------------------------------------------------------------------------------------------------------------------------------------------------------------------------------------------------------------------------------------------------------------------------------------------------------------------------------------------------------------------------------------------------------------------------------------------------------------------------------------------------------------------------------------------------------------------------------------------------------------------------------------------------------------------------------------------------------------------------------------------------------------------------------------------------------|------------------|--|-------------------------|-------------------------|---------------------------------------------------------------------------------------------------------------------------------------------------------------------------------------------------------------------------------------------------------------------------------------------------------------------------------|
|   | <p>Optional: Explosion protection according to category 2 (zone 1/21)</p> <p>Ex marking of the components according to the following table:</p> | | | | | |
| | <table border="1"> <thead> <tr> <th colspan="2">Coil Type ACP016</th> </tr> <tr> <th>Coils with cable outlet</th> <th>Coils with terminal box</th> </tr> </thead> <tbody> <tr> <td> <p>ATEX: EPS 16 ATEX 1 111 X II 2 G Ex mb IIC T4 Gb II 2 D Ex mb IIIC T130 °C Db</p> <p>IECEX: IECEX EPS 16.0049X Ex mb IIC T4 Gb Ex mb IIIC T130 °C Db</p> </td> <td> <p>ATEX: EPS 16 ATEX 1 111 X II 2G Ex eb mb IIC T4 Gb II 2D Ex mb tb IIIC T130 °C Db</p> <p>IECEX: IECEX EPS 16.0049X Ex eb mb IIC T4 Gb Ex mb tb IIIC T130 °C Db</p> </td> </tr> </tbody> </table> | Coil Type ACP016 | | Coils with cable outlet | Coils with terminal box | <p>ATEX: EPS 16 ATEX 1 111 X II 2 G Ex mb IIC T4 Gb II 2 D Ex mb IIIC T130 °C Db</p> <p>IECEX: IECEX EPS 16.0049X Ex mb IIC T4 Gb Ex mb IIIC T130 °C Db</p> |
| Coil Type ACP016 | | | | | | |
| Coils with cable outlet | Coils with terminal box | | | | | |
| <p>ATEX: EPS 16 ATEX 1 111 X II 2 G Ex mb IIC T4 Gb II 2 D Ex mb IIIC T130 °C Db</p> <p>IECEX: IECEX EPS 16.0049X Ex mb IIC T4 Gb Ex mb IIIC T130 °C Db</p> | <p>ATEX: EPS 16 ATEX 1 111 X II 2G Ex eb mb IIC T4 Gb II 2D Ex mb tb IIIC T130 °C Db</p> <p>IECEX: IECEX EPS 16.0049X Ex eb mb IIC T4 Gb Ex mb tb IIIC T130 °C Db</p> | | | | | |

3.5. North America (USA/Canada)

| Approval | Description |
|-------------------------------------------------------------------------------------|------------------------------------------------------------------------------------------------------------------------------------------------------------------------------------------------------------------------------------------------------------------------------------------------------|
|  | <p>Valid for valves: UL Listed for the USA</p> <p>The valves are UL Listed for the USA according to:</p> <ul style="list-style-type: none"> UL 429 (electrically operated valves) and UL 429A (Electrically Operated Valves for Fire Protection Service) |
|  | <p>Valid for coils: UL Hazardous Locations – Explosion Protection</p> <p>UL Listed for Hazardous Locations for USA and Canada</p> <p>Class I, Zone 1 Class I, Division 2, Group A, B, C and D Class II + III, Division 2, Group F and G</p> |
|  | <p>Valid for valves: UL Recognized for the USA</p> <p>The valves are UL Recognized for the USA according to:</p> <ul style="list-style-type: none"> UL 429 (electrically operated valves) and UL 429A (Electrically Operated Valves for Fire Protection Service) |
|  | <p>Valid for valves: CSA for Canada</p> <p>The valves are CSA approved for Canada according to:</p> <ul style="list-style-type: none"> CSA 139 (electrically operated valves) |
|  | <p>Valid for coils: FM (Factory Mutual) – Explosion Protection</p> <p>FM for Hazardous Locations for USA and Canada</p> <p>Class I, Zone 1 Class I, Division 1, Groups A, B, C and D Class II + III, Division 1, Groups E, F and G</p> |

3.6. Drinking water

| Conformity | Description |
|-------------------------------------------------------------------------------------|------------------------------------------------------------------------------------------------------------------------------------------------------------------------------------------------------------------------------------------------------------------------------------------------------------------------------------------------------------------------------------------|
|  | <p>Suitable for use in drinking water applications</p> <p>The materials comply with the assessment principles (UBA) for materials in contact with drinking water (TrinkwasserV).</p> <p>PF39: Suitable for products with a maximum temperature of + 85 °C (hot water) PF36: Suitable for products with a maximum temperature of + 60 °C (warm water)</p> |

DTS 1000011015 EN Version: X Status: RL (released | freigegeben | valide) printed: 26.02.2026

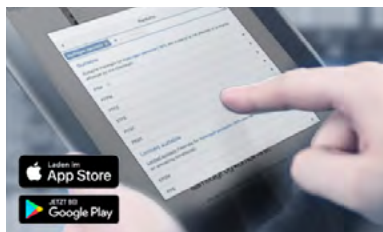
3.7. Others

DNV GL classification

| Approval | Description |
|----------|----------------------------------------------------------------------------------------------------------------------------------------------------------------------|
| | DNV GL classification – Ships, offshore units, and high speed and light craft The products are accepted for installation on all vessels classed by DNV GL. |

4. Materials

4.1. Bürkert resistApp

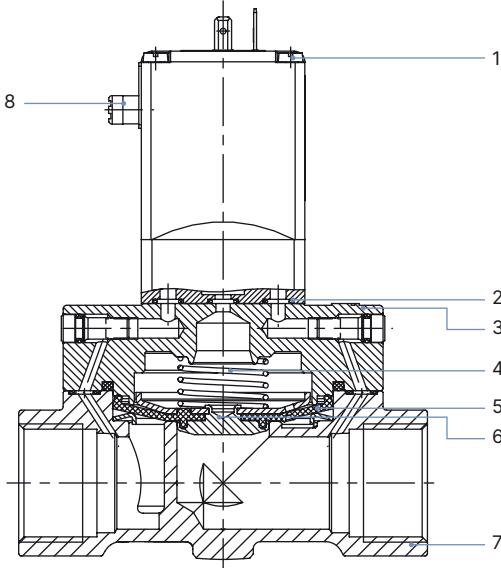


Bürkert resistApp – Chemical resistance chart

You want to ensure the reliability and durability of the materials in your individual application case? Verify your combination of media and materials on our website or in our resistApp.

[Start chemical resistance check](#)

4.2. Material specifications



| No. | Element | Material |
|-----|------------------|-----------------------------------------------------------------------------------------|
| 1 | Coil | Epoxy |
| 2 | O-ring | NBR, EPDM, FKM |
| 3 | Cover | Brass DN 13 stainless steel 1.4408/316 DN 20...DN 50 stainless steel 1.4581/316CB |
| 4 | Spring | Stainless steel 1.4310/302 |
| 5 | Diaphragm | NBR, EPDM, FKM |
| 6 | Diaphragm holder | Brass, stainless steel 1.4401 /316 |
| 7 | Valve body | Brass DN 13 stainless steel CF3M DN 20...DN 50 stainless steel 1.4581/316CB |
| 8 | Manual override | PA |

DTS 1000011015 EN Version: X Status: RL (released | freigegeben | valide) printed: 26.02.2026

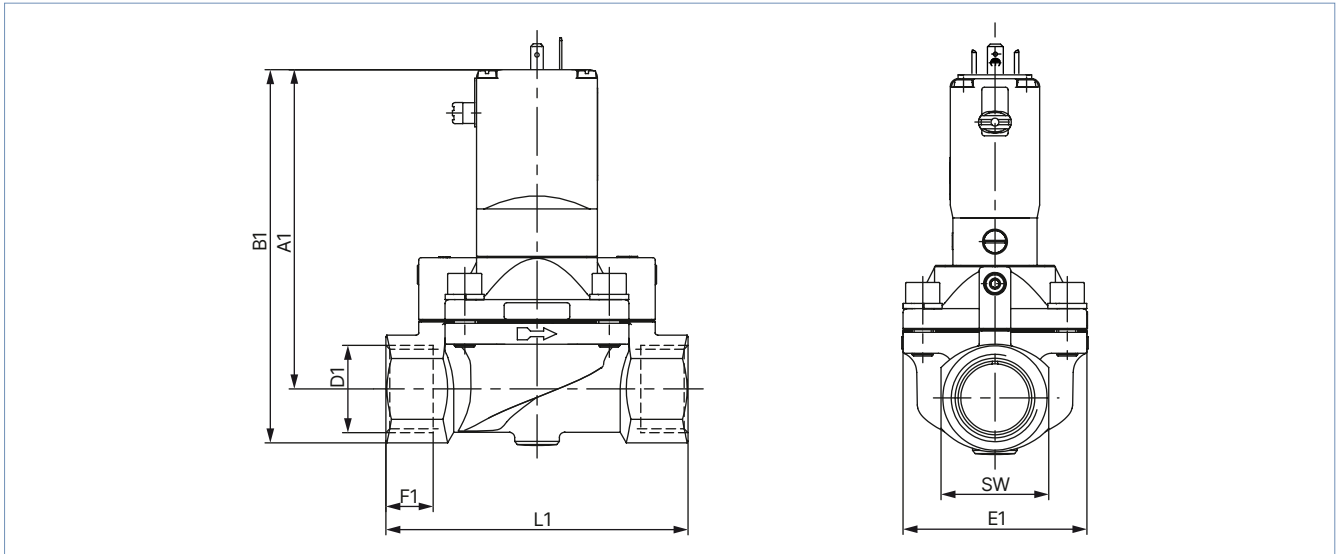
5. Dimensions

5.1. Standard variant

Threaded variant

Note:

- Dimensions in mm
- The dimensions D1 and F1 apply to G thread.
- The dimensions D2 and F2 apply to NPT thread.
- The dimensions D3 and F3 apply to Rc thread.



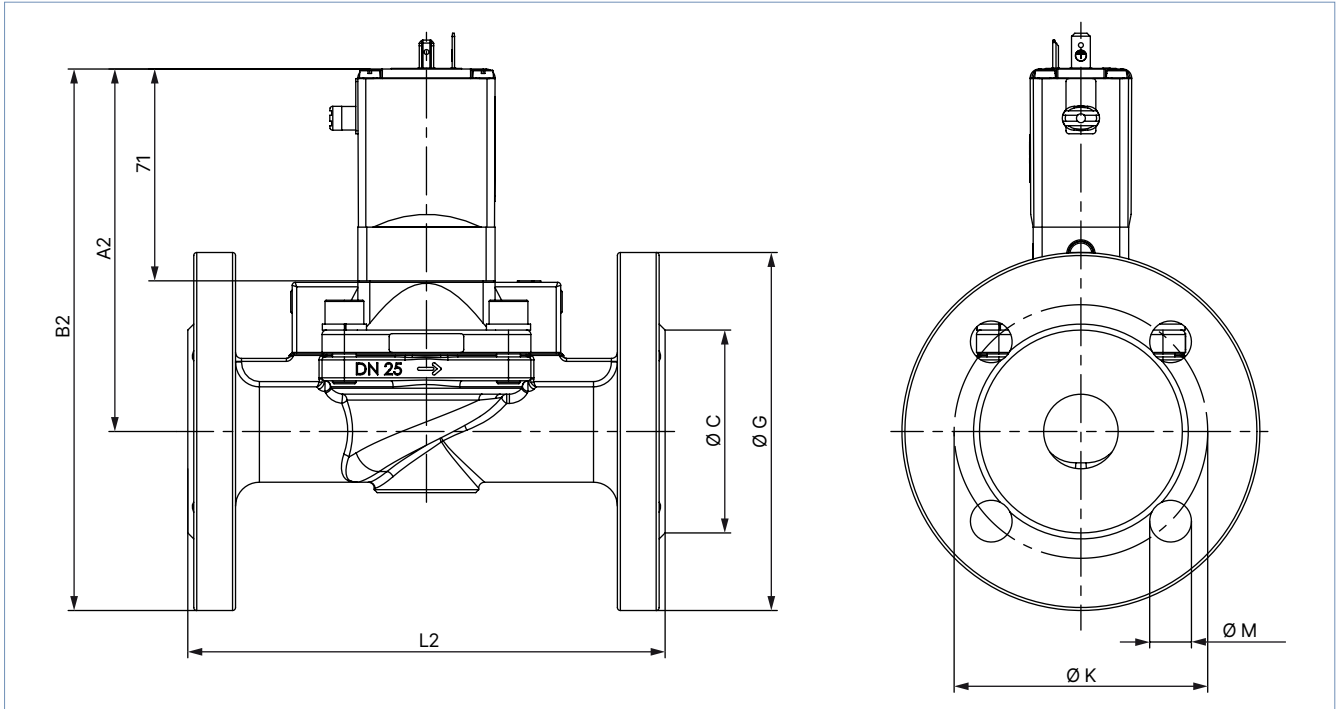
| DN | A1 | B1 | G | | NPT | | Rc | | E1 | L1 | SW |
|------------------|-------|-------|------|----|--------|------|-------|------|-----|-----|----|
| | | | D1 | F1 | D2 | F2 | D3 | F3 | | | |
| 13 ¹⁾ | 109.0 | 123.0 | G ½ | 14 | NPT ½ | 13.7 | Rc ½ | 13.2 | 40 | 65 | 27 |
| 13 ²⁾ | 108.0 | 124.0 | G ½ | 14 | NPT ½ | 13.7 | Rc ½ | 13.2 | 40 | 65 | 27 |
| 13 ²⁾ | 110.0 | 126.0 | G ¾ | 16 | NPT ¾ | 14.0 | Rc ¾ | 14.5 | 40 | 65 | 32 |
| 20 ²⁾ | 115.0 | 131.0 | G ½ | 14 | NPT ½ | 13.7 | Rc ½ | 13.2 | 60 | 100 | 32 |
| 20 | 115.0 | 131.0 | G ¾ | 16 | NPT ¾ | 14.0 | Rc ¾ | 14.5 | 60 | 100 | 32 |
| 25 | 121.5 | 142.0 | G 1 | 18 | NPT 1 | 16.8 | Rc 1 | 16.8 | 70 | 115 | 41 |
| 32 | 122.0 | 147.0 | G 1¼ | 20 | NPT 1¼ | 17.3 | Rc 1¼ | 19.1 | 85 | 126 | 50 |
| 40 | 126.0 | 156.0 | G 1½ | 22 | NPT 1½ | 17.3 | Rc 1½ | 19.1 | 85 | 126 | 60 |
| 50 | 142.5 | 177.5 | G 2 | 24 | NPT 2 | 17.6 | Rc 2 | 23.4 | 115 | 164 | 70 |
| 65 | 142.5 | 185.0 | G 2½ | 27 | NPT 2½ | 23.6 | – | – | 115 | 180 | 85 |

1.) Only threaded brass connection
 2.) Only threaded stainless steel connection

Flange variant according to DIN EN 1092 - 1

Note:

Dimensions in mm



| Variant | DN | A2 | B2 | Ø C | Ø G | L2 | Ø M | Ø K |
|------------------------------------------------|----|-------|-------|-----|-----|-----|-----|-----|
| Brass with cast stainless steel body | 25 | 121.5 | 181.5 | 68 | 120 | 160 | 14 | 85 |
| | 32 | 122.0 | 192.0 | 78 | 140 | 180 | 18 | 100 |
| | 40 | 128.0 | 203.0 | 88 | 150 | 200 | 18 | 110 |
| | 50 | 142.8 | 225.3 | 102 | 165 | 230 | 18 | 125 |
| Stainless steel with cast stainless steel body | 25 | 120.5 | 180.5 | 68 | 120 | 160 | 14 | 85 |
| | 32 | 122.0 | 192.0 | 78 | 140 | 180 | 18 | 100 |
| | 40 | 128.0 | 203.0 | 88 | 150 | 200 | 18 | 110 |
| | 50 | 142.8 | 225.3 | 102 | 165 | 230 | 18 | 125 |

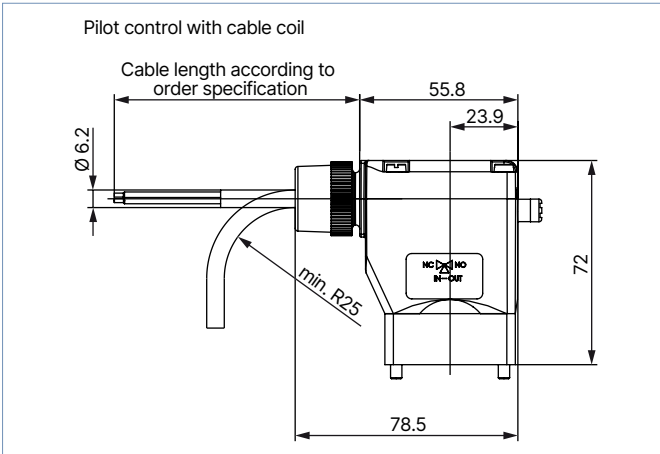
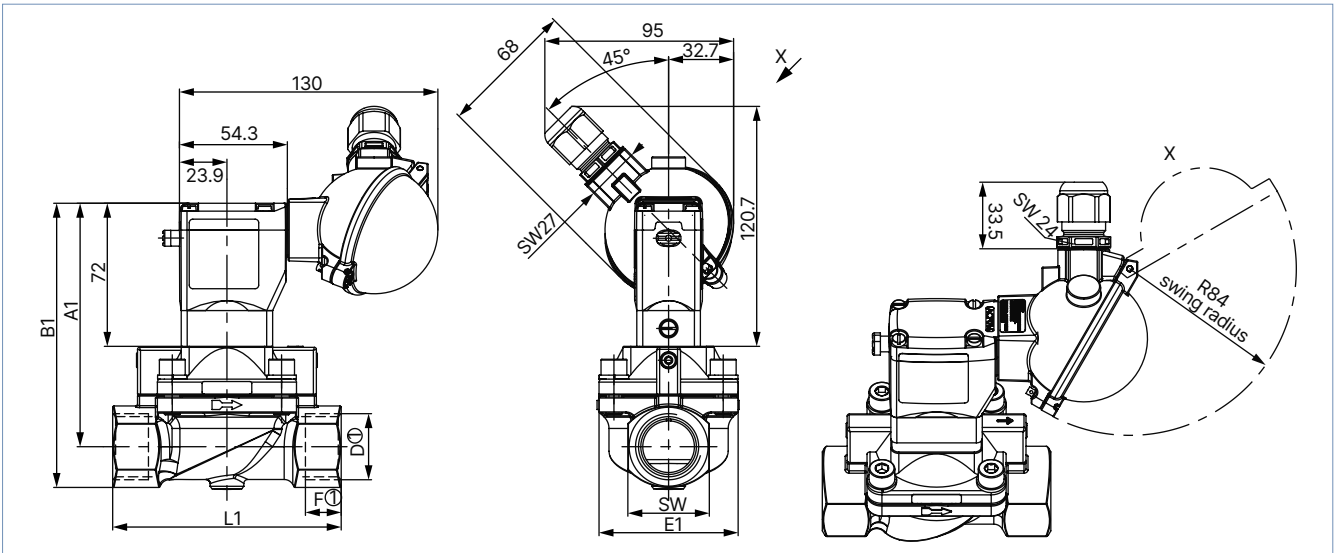
DTS 1000011015 EN Version: X Status: RL (released | freigegeben | valide) printed: 26.02.2026

5.2. ATEX/IECEx variant

Threaded variant

Note:

- Dimensions in mm
- The dimensions D1 and F1 apply to G thread.
- The dimensions D2 and F2 apply to NPT thread.
- The dimensions D3 and F3 apply to Rc thread.



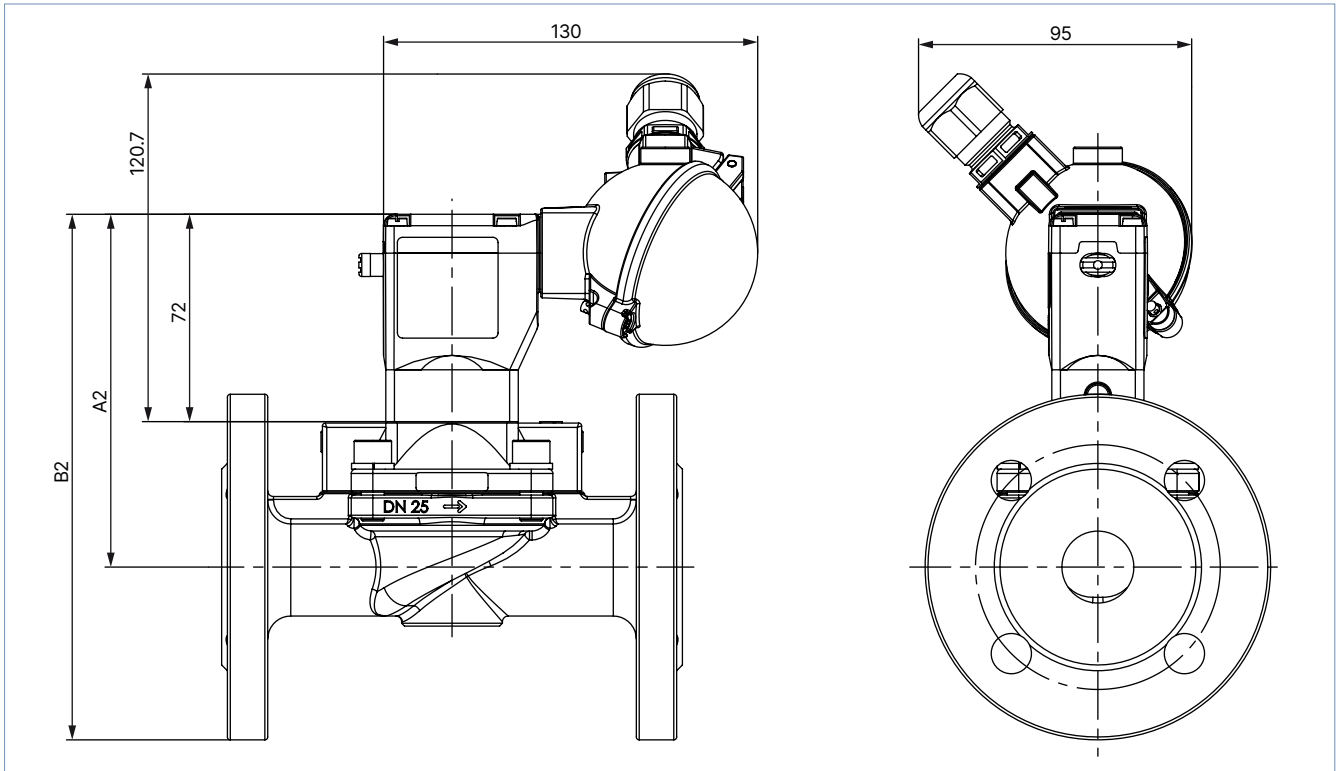
| DN | A1 | B1 | G | | NPT | | Rc | | E1 | L1 | AF |
|------------------|-------|-------|---------|----|-----------|------|----------|------|-----|-----|----|
| | | | D1 | F1 | D2 | F2 | D3 | F3 | | | |
| 13 ¹⁾ | 110.0 | 124.0 | G 1/2 | 14 | NPT 1/2 | 13.7 | Rc 1/2 | 13.2 | 40 | 65 | 27 |
| 13 ²⁾ | 109.0 | 125.0 | G 1/2 | 14 | NPT 1/2 | 13.7 | Rc 1/2 | 13.2 | 40 | 65 | 27 |
| 13 ²⁾ | 111.0 | 127.0 | G 3/4 | 16 | NPT 3/4 | 14.0 | Rc 3/4 | 14.5 | 40 | 65 | 32 |
| 20 ²⁾ | 116.0 | 132.0 | G 1/2 | 14 | NPT 1/2 | 13.7 | Rc 1/2 | 13.2 | 60 | 100 | 32 |
| 20 | 116.0 | 132.0 | G 3/4 | 16 | NPT 3/4 | 14.0 | Rc 3/4 | 14.5 | 60 | 100 | 32 |
| 25 | 122.5 | 143.0 | G 1 | 18 | NPT 1 | 16.8 | Rc 1 | 16.8 | 70 | 115 | 41 |
| 32 | 123.0 | 148.0 | G 1 1/4 | 20 | NPT 1 1/4 | 17.3 | Rc 1 1/4 | 19.1 | 85 | 126 | 50 |
| 40 | 127.0 | 157.0 | G 1 1/2 | 22 | NPT 1 1/2 | 17.3 | Rc 1 1/2 | 19.1 | 85 | 126 | 60 |
| 50 | 143.8 | 178.8 | G 2 | 24 | NPT 2 | 17.6 | Rc 2 | 23.4 | 115 | 164 | 70 |
| 65 | 143.5 | 186.0 | G 2 1/2 | 27 | NPT 2 1/2 | 23.6 | - | - | 115 | 180 | 85 |

1) Only threaded brass connection
 2) Only threaded stainless steel connection

Flange variant according to DIN EN 1092 - 1

Note:

- Dimensions in mm
- Refer to **“Threaded variant” on page 9** for more information about coil and terminal box dimensions.



| Variant | DN | A2 | B2 | Ø C | Ø G | L2 | Ø M | Ø K |
|------------------------------------------------|----|-------|-------|-----|-----|-----|-----|-----|
| Brass with cast stainless steel body | 25 | 122.5 | 182.5 | 68 | 120 | 160 | 14 | 85 |
| | 32 | 123.0 | 193.0 | 78 | 140 | 180 | 18 | 100 |
| | 40 | 129.0 | 204.0 | 88 | 150 | 200 | 18 | 110 |
| | 50 | 143.8 | 226.3 | 102 | 165 | 230 | 18 | 125 |
| Stainless steel with cast stainless steel body | 25 | 121.5 | 181.5 | 68 | 120 | 160 | 14 | 85 |
| | 32 | 123.0 | 193.0 | 78 | 140 | 180 | 18 | 100 |
| | 40 | 129.0 | 204.0 | 88 | 150 | 200 | 18 | 110 |
| | 50 | 143.8 | 226.3 | 102 | 165 | 230 | 18 | 125 |

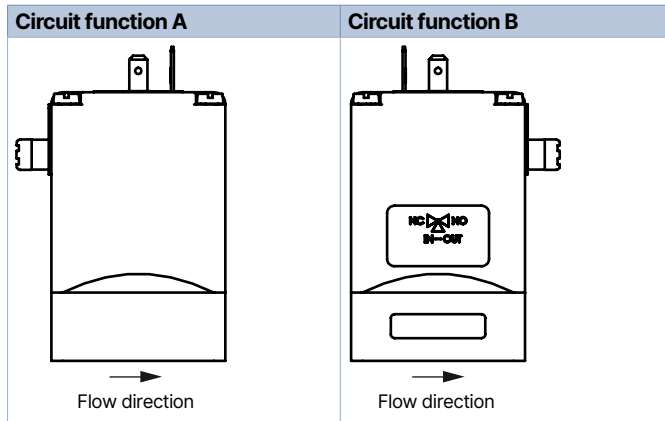
DTS 1000011015 EN Version: X Status: RL (released | freigegeben | valide) printed: 26.02.2026

6. Product installation

6.1. Mounting options

Note:

- The delivery condition corresponds to the order key. Turning the pilot valve through 180° changes the circuit function of the valve.
- The circuit function can only be changed for variants up to 10 bar.



7. Product accessories

7.1. Cable glands for ATEX/IECEx terminal box

Note:

A polyamide cable gland is included in the scope of delivery. A nickel-plated brass variant can be ordered for a surcharge, see **"8.5. Ordering chart accessories"** on page 18.

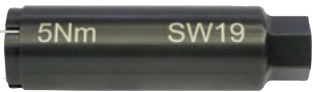
| Description | Ex approval | | Dimensions | | | | | | | | | | |
|----------------------------------------------------|----------------------------------------|-----------------------------------------------|--------------------------------------------------------------------------------------------------------------------------------------------------------------------------------------------------------------|----|------------|---|-------|---|-------|----|-------|---|-------|
| | Certification | Identification | | | | | | | | | | | |
| Ex cable gland, nickel-plated brass, 6...13 mm | PTB 04 ATEX 1112 X, IECEx PTB 13.0027X | II 2 G Ex e IIC Gb, II 2 D Ex tb IIIC Db IP68 | <table border="1"> <tr><td>TL</td><td>29...37 mm</td></tr> <tr><td>L</td><td>6 mm</td></tr> <tr><td>D</td><td>20 mm</td></tr> <tr><td>SW</td><td>24 mm</td></tr> <tr><td>E</td><td>27 mm</td></tr> </table> | TL | 29...37 mm | L | 6 mm | D | 20 mm | SW | 24 mm | E | 27 mm |
| TL | 29...37 mm | | | | | | | | | | | | |
| L | 6 mm | | | | | | | | | | | | |
| D | 20 mm | | | | | | | | | | | | |
| SW | 24 mm | | | | | | | | | | | | |
| E | 27 mm | | | | | | | | | | | | |
| Ex cable gland, polyamide, 7...13 mm | PTB 13 ATEX 1015 X, IECEx PTB 13.0034X | II 2 G Ex e IIC Gb, II 2 D Ex tb IIIC Db IP68 | <table border="1"> <tr><td>TL</td><td>36...45 mm</td></tr> <tr><td>L</td><td>10 mm</td></tr> <tr><td>D</td><td>20 mm</td></tr> <tr><td>SW</td><td>24 mm</td></tr> <tr><td>E</td><td>28 mm</td></tr> </table> | TL | 36...45 mm | L | 10 mm | D | 20 mm | SW | 24 mm | E | 28 mm |
| TL | 36...45 mm | | | | | | | | | | | | |
| L | 10 mm | | | | | | | | | | | | |
| D | 20 mm | | | | | | | | | | | | |
| SW | 24 mm | | | | | | | | | | | | |
| E | 28 mm | | | | | | | | | | | | |

DTS 1000011015 EN Version: X Status: RL (released | freigegeben | valide) printed: 26.02.2026

7.2. Special tool to turn the terminal box


Note:

This special tool is not included in the scope of delivery of the valve, see "8.5. Ordering chart accessories" on page 18.

| Description | Components of the set |
|----------------------------------------------------------------------------------------------------|--------------------------------------------------------------------------------------------|
| Set SC02-AC10  | <ul style="list-style-type: none"> • Special tool • Service manual |

8. Ordering information

8.1. Bürkert eShop




Bürkert eShop – Easy ordering and quick delivery

You want to find your desired Bürkert product or spare part quickly and order directly? Our online shop is available for you 24/7. Sign up and enjoy all the benefits.

[Order online now](#)

8.2. Bürkert product filter

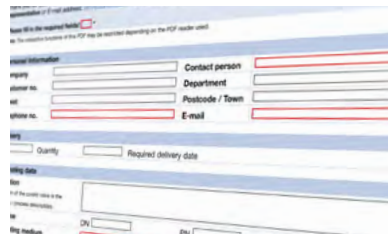


Bürkert product filter – Get quickly to the right product

You want to select products comfortably based on your technical requirements? Use the Bürkert product filter and find suitable articles for your application quickly and easily.

[Try out our product filter](#)

8.3. Bürkert Product Enquiry Form



Bürkert Product Enquiry Form – Your enquiry quickly and compactly

Would you like to make a specific product enquiry based on your technical requirements? Use our Product Enquiry Form for this purpose. There you will find all the relevant information for your Bürkert contact. This will enable us to provide you with the best possible advice.

[Fill out the form now](#)

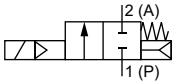
DTS 1000011015 EN Version: X Status: RL (released | freigegeben | valide) printed: 26.02.2026

8.4. Ordering chart

Basic variant

Note:

Please note that the cable plug must be ordered separately, see "8.5. Ordering chart accessories" on page 18 or separate data sheet Type 2518 ▶.

| Circuit function | Port connection | Orifice [mm] | Flow coefficient water ^{1),2)} [m ³ /h] | Pressure range ³⁾ [bar] | Weight [kg] | Article no. | | |
|-------------------------------------------------------------------------------------------------------------------------------------------------------------------|--------------------------------------------------------------------------------|-----------------|-------------------------------------------------------------------|---------------------------------------|----------------|------------------|-----------------------|-----------------------|
| | | | | | | 024/DC [V/Hz] | 024/50...60 [V/Hz] | 230/50...60 [V/Hz] |
| With threaded connection without manual override, without adjustable opening and closing times, without cable plug | | | | | | | | |
| CF A 2/2-way solenoid valve Servo-controlled Normally closed  | Brass body and seal material NBR, pressure range 0.2...16 bar | | | | | | | |
| | G 1/2 | 13.0 | 4.0 | 0.2...16 | 0.95 | 20068749 | o. r. | 20068752 |
| | G 3/4 | 20.0 | 6.5 | 0.2...16 | 1.40 | 20068750 | o. r. | 20068753 |
| | G 1 | 25.0 | 10.0 | 0.2...16 | 1.85 | 20068751 | o. r. | 20068754 |
| | G 1 1/4 | 32.0 | 20.0 | 0.2...16 | 2.60 | o. r. | o. r. | o. r. |
| | G 1 1/2 | 40.0 | 20.0 | 0.2...16 | 3.05 | o. r. | o. r. | o. r. |
| | G 2 | 50.0 | 40.0 | 0.2...16 | 5.15 | o. r. | o. r. | o. r. |
| | G 2 1/2 | 65.0 | 40.0 | 0.2...16 | 5.90 | o. r. | o. r. | o. r. |
| | Stainless steel body and seal material FKM, pressure range 0.2...12 bar | | | | | | | |
| | G 1/2 | 13.0 | 4.0 | 0.2...12 | 0.95 | 20068755 | o. r. | 20068758 |
| | G 3/4 | 20.0 | 6.5 | 0.2...12 | 1.40 | 20068756 | o. r. | 20068759 |
| | G 1 | 25.0 | 10.0 | 0.2...12 | 1.85 | 20068757 | o. r. | 20068760 |
| | G 1 1/4 | 32.0 | 20.0 | 0.2...12 | 2.60 | o. r. | o. r. | o. r. |
| | G 1 1/2 | 40.0 | 20.0 | 0.2...12 | 3.05 | o. r. | o. r. | o. r. |
| | G 2 | 50.0 | 40.0 | 0.2...12 | 5.15 | o. r. | o. r. | o. r. |
| | G 2 1/2 | 65.0 | 40.0 | 0.2...12 | 5.90 | o. r. | o. r. | o. r. |

o. r. = on request

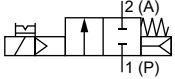
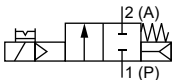
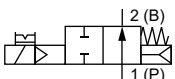
- 1.) Measurement at + 20 °C, 1 bar²⁾ at the valve inlet and free outlet
- 2.) A pressure difference of 0.5 bar is required to open the full cross-section.
- 3.) Pressure data: overpressure to atmospheric pressure

DTS 1000011015 EN Version: X Status: RL (released | freigegeben | valide) printed: 26.02.2026

Standard variant with brass body

Note:

Please note that the cable plug must be ordered separately, see "8.5. Ordering chart accessories" on page 18 or separate data sheet Type 2518 ▶

| Circuit function | Port connection | Orifice [mm] | Flow coefficient water ^{1,2)} [m ³ /h] | Pressure range ³⁾ [bar] | Weight [kg] | Article no. | | |
|----------------------------------------------------------------------------------------------------------------------------------------------------------------------------------------------|-------------------------------------------------------|-----------------|------------------------------------------------------------------|---------------------------------------|----------------|------------------|-----------------------|-----------------------|
| | | | | | | 024/DC [V/Hz] | 024/50...60 [V/Hz] | 230/50...60 [V/Hz] |
| With threaded connection and manual override, without cable plug | | | | | | | | |
| CF A 2/2-way solenoid valve Servo-controlled, with manual override Normally closed  | Seal material NBR, pressure range 0.2...10 bar | | | | | | | |
| | G 1/2 | 13.0 | 4.0 | 0.2...10 | 0.95 | 134430 | 134431 | 134433 |
| | G 3/4 | 20.0 | 6.5 | 0.2...10 | 1.40 | 134434 | 134435 | 134437 |
| | G 1 | 25.0 | 10.0 | 0.2...10 | 1.85 | 134438 | 134439 | 134441 |
| | G 1 1/4 | 32.0 | 20.0 | 0.2...10 | 2.60 | 134442 | 134443 | 134445 |
| | G 1 1/2 | 40.0 | 20.0 | 0.2...10 | 3.05 | 134446 | 134447 | 134449 |
| | G 2 | 50.0 | 40.0 | 0.2...10 | 5.15 | 134450 | 134451 | 134453 |
| | G 2 1/2 | 65.0 | 40.0 | 0.2...10 | 5.90 | 134454 | 134455 | 134457 |
| | Seal material FKM, pressure range 0.2...10 bar | | | | | | | |
| | G 1/2 | 13.0 | 4.0 | 0.2...10 | 0.95 | 134486 | 134487 | 134489 |
| | G 3/4 | 20.0 | 6.5 | 0.2...10 | 1.40 | 134490 | 134491 | 134493 |
| | G 1 | 25.0 | 10.0 | 0.2...10 | 1.85 | 134494 | 134495 | 134497 |
| | G 1 1/4 | 32.0 | 20.0 | 0.2...10 | 2.60 | 134498 | 134499 | 134501 |
| | G 1 1/2 | 40.0 | 20.0 | 0.2...10 | 3.05 | 134502 | 134503 | 134505 |
| G 2 | 50.0 | 40.0 | 0.2...10 | 5.15 | 134506 | 134507 | 134509 | |
| G 2 1/2 | 65.0 | 40.0 | 0.2...10 | 5.90 | 134510 | 134511 | 134513 | |
| Seal material EPDM, pressure range 0.2...10 bar | | | | | | | | |
| G 1/2 | 13.0 | 4.0 | 0.2...10 | 0.95 | 134458 | 134459 | 134461 | |
| G 3/4 | 20.0 | 6.5 | 0.2...10 | 1.40 | 134462 | 134463 | 134465 | |
| G 1 | 25.0 | 10.0 | 0.2...10 | 1.85 | 134466 | 134467 | 134469 | |
| G 1 1/4 | 32.0 | 20.0 | 0.2...10 | 2.60 | 134470 | 134471 | 134473 | |
| G 1 1/2 | 40.0 | 20.0 | 0.2...10 | 3.05 | 134474 | 134475 | 134477 | |
| G 2 | 50.0 | 40.0 | 0.2...10 | 5.15 | 134478 | 134479 | 134481 | |
| G 2 1/2 | 65.0 | 40.0 | 0.2...10 | 5.90 | 134482 | 134483 | 134485 | |
| CF A 2/2-way solenoid valve Servo-controlled, with manual override Normally closed  | Seal material NBR, pressure range 0.2...16 bar | | | | | | | |
| | G 1/2 | 13.0 | 4.0 | 0.2...16 | 0.95 | 187421 | 254814 | 187422 |
| | G 3/4 | 20.0 | 6.5 | 0.2...16 | 1.40 | 187423 | 237670 | 186719 |
| | G 1 | 25.0 | 10.0 | 0.2...16 | 1.85 | 202683 | 246449 | 183126 |
| | G 1 1/4 | 32.0 | 20.0 | 0.2...16 | 2.60 | 202684 | o. r. | 202680 |
| | G 1 1/2 | 40.0 | 20.0 | 0.2...16 | 3.05 | 202685 | 209365 | 202681 |
| | G 2 | 50.0 | 40.0 | 0.2...16 | 5.15 | 202686 | 318245 | 202682 |
| CF B 2/2-way solenoid valve Servo-controlled, with manual override Normally open  | Seal material NBR, pressure range 0.2...16 bar | | | | | | | |
| | G 1/2 | 13.0 | 4.0 | 0.2...16 | 0.95 | 184959 | 250917 | 184960 |
| | G 3/4 | 20.0 | 6.5 | 0.2...16 | 1.40 | 189506 | o. r. | 189342 |
| | G 1 | 25.0 | 10.0 | 0.2...16 | 1.85 | 183129 | 223653 | 183132 |
| | G 1 1/4 | 32.0 | 20.0 | 0.2...16 | 2.60 | 242280 | o. r. | 242277 |
| | G 1 1/2 | 40.0 | 20.0 | 0.2...16 | 3.05 | 207728 | o. r. | 214331 |
| | G 2 | 50.0 | 40.0 | 0.2...16 | 5.15 | 242281 | o. r. | 242278 |

o. r. = on request

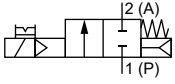
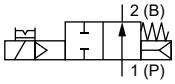
- 1.) Measurement at +20 °C, 1 bar²⁾ at the valve inlet and free outlet
- 2.) A pressure difference of 0.5 bar is required to open the full cross-section.
- 3.) Pressure data: overpressure to atmospheric pressure

DTS 1000011015 EN Version: X Status: RL (released | freigegeben | valide) printed: 26.02.2026

Standard variant in brass with stainless steel flange body

Note:

Please note that the cable plug must be ordered separately, see **"8.5. Ordering chart accessories"** on page 18 or separate data sheet **Type 2518** ▶

| Circuit function | Port connection | Orifice [mm] | K _v value water ^{1,2)} [m ³ /h] | Pressure range ³⁾ [bar] | Weight [kg] | Article no. | |
|-------------------------------------------------------------------------------------------------------|-----------------|-----------------|----------------------------------------------------------------------|------------------------------------------|----------------|------------------|-----------------------|
| | | | | | | 024/DC [V/Hz] | 230/50...60 [V/Hz] |
| With flange connection acc. to DIN EN 1092 - 1 and manual override, without cable plug | | | | | | | |
| CF A 2/2-way solenoid valve Servo-controlled, with manual override Normally closed | | | | | | | |
| Seal material NBR, pressure range 0.2...10 bar | | | | | | | |
|  | Flange | 25.0 | 10.0 | 0.2...10 | 5.2 | 355263 ☞ | 355266 ☞ |
| | Flange | 32.0 | 20.0 | 0.2...10 | 6.7 | 355269 ☞ | o. r. |
| | Flange | 40.0 | 20.0 | 0.2...10 | 7.4 | 355261 ☞ | 355265 ☞ |
| | Flange | 50.0 | 40.0 | 0.2...10 | 11.5 | 355264 ☞ | 355259 ☞ |
| CF B 2/2-way solenoid valve Servo-controlled, with manual override Normally open | | | | | | | |
|  | | | | | | | |

o. r. = on request

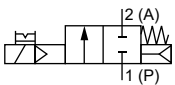
- 1.) Measurement at + 20 °C, 1 bar²⁾ at the valve inlet and free outlet
- 2.) A pressure difference of 0.5 bar is required to open the full cross-section.
- 3.) Pressure data: overpressure to atmospheric pressure

DTS 1000011015 EN Version: X Status: RL (released | freigegeben | valide) printed: 26.02.2026

Standard variant with stainless steel body





Note:

Please note that the cable plug must be ordered separately, see **"8.5. Ordering chart accessories"** on page 18 or separate data sheet **Type 2518** ▶

| Circuit function | Port connection | Orifice [mm] | Flow coefficient water ^{1,2)} [m ³ /h] | Pressure range ³⁾ [bar] | Weight [kg] | Article no. | | |
|--------------------------------------------------------------------------------------------------------------------------------------------------------------------------------------------|----------------------------------------------------------------------------|-----------------|---------------------------------------------------------------|---------------------------------------|----------------|------------------|-----------------------|-----------------------|
| | | | | | | 024/DC [V/Hz] | 024/50...60 [V/Hz] | 230/50...60 [V/Hz] |
| With threaded or flange connection and manual override, without cable plug | | | | | | | | |
| CF A 2/2-way solenoid valve Servo-controlled, with manual override Normally closed  | Threaded connection, seal material NBR, pressure range 0.2...10 bar | | | | | | | |
| | G 1/2 | 13.0 | 4.0 | 0.2...10 | 0.91 | 281976 ☒ | 281979 ☒ | 281981 ☒ |
| | G 3/4 | 20.0 | 6.5 | 0.2...10 | 1.40 | 137142 ☒ | 137143 ☒ | 137145 ☒ |
| | G 1 | 25.0 | 10.0 | 0.2...10 | 1.80 | 137146 ☒ | 137147 ☒ | 137149 ☒ |
| | G 1 1/4 | 32.0 | 20.0 | 0.2...10 | 2.25 | 137150 ☒ | 137151 ☒ | 137153 ☒ |
| | G 1 1/2 | 40.0 | 20.0 | 0.2...10 | 2.70 | 137154 ☒ | 137155 ☒ | 137157 ☒ |
| | G 2 | 50.0 | 40.0 | 0.2...10 | 4.80 | 137158 ☒ | 137159 ☒ | 137161 ☒ |
| | Threaded connection, seal material FKM, pressure range 0.2...10 bar | | | | | | | |
| | G 1/2 | 13.0 | 4.0 | 0.2...10 | 0.91 | 220291 ☒ | 220292 ☒ | 220294 ☒ |
| | G 3/4 | 20.0 | 6.5 | 0.2...10 | 1.40 | 134518 ☒ | 134519 ☒ | 134521 ☒ |
| | G 1 | 25.0 | 10.0 | 0.2...10 | 1.80 | 134522 ☒ | 134523 ☒ | 134525 ☒ |
| | G 1 1/4 | 32.0 | 20.0 | 0.2...10 | 2.25 | 134526 ☒ | 134527 ☒ | 134529 ☒ |
| | G 1 1/2 | 40.0 | 20.0 | 0.2...10 | 2.70 | 134530 ☒ | 134531 ☒ | 134533 ☒ |
| | G 2 | 50.0 | 40.0 | 0.2...10 | 4.80 | 134534 ☒ | 134535 ☒ | 134537 ☒ |
| Threaded connection, seal material EPDM, pressure range 0.2...10 bar | | | | | | | | |
| G 1/2 | 13.0 | 4.0 | 0.2...10 | 0.91 | 220297 ☒ | 220298 ☒ | 220300 ☒ | |
| G 3/4 | 20.0 | 6.5 | 0.2...10 | 1.40 | 145709 ☒ | o. r. | 141714 ☒ | |
| G 1 | 25.0 | 10.0 | 0.2...10 | 1.80 | 141078 ☒ | 93909807 ☒ | 146160 ☒ | |
| G 1 1/4 | 32.0 | 20.0 | 0.2...10 | 2.25 | 438559 ☒ | o. r. | 147803 ☒ | |
| G 1 1/2 | 40.0 | 20.0 | 0.2...10 | 2.70 | 141667 ☒ | o. r. | 139823 ☒ | |
| G 2 | 50.0 | 40.0 | 0.2...10 | 4.80 | 141075 ☒ | o. r. | 146530 ☒ | |
| Flange connection according to DIN EN 1092 - 1, seal material FKM, pressure range 0.2...10 bar | | | | | | | | |
| Flange | 25.0 | 10.0 | 0.2...10 | 5.1 | 361400 ☒ | 361401 ☒ | 361403 ☒ | |
| Flange | 32.0 | 20.0 | 0.2...10 | 6.45 | 361404 ☒ | 361405 ☒ | 361406 ☒ | |
| Flange | 40.0 | 20.0 | 0.2...10 | 7.2 | 361407 ☒ | 361408 ☒ | 361409 ☒ | |
| Flange | 50.0 | 40.0 | 0.2...10 | 11.3 | 361410 ☒ | 361411 ☒ | 361412 ☒ | |
| Flange connection according to DIN EN 1092 - 1, seal material EPDM, pressure range 0.2...10 bar | | | | | | | | |
| Flange | 25.0 | 10.0 | 0.2...10 | 5.1 | 371943 ☒ | o. r. | 368163 ☒ | |
| Flange | 32.0 | 20.0 | 0.2...10 | 6.45 | o. r. | o. r. | 367561 ☒ | |
| Flange | 40.0 | 20.0 | 0.2...10 | 7.2 | o. r. | o. r. | o. r. | |
| Flange | 50.0 | 40.0 | 0.2...10 | 11.3 | 361414 ☒ | o. r. | 367562 ☒ | |

o. r. = on request

- 1.) Measurement at + 20 °C, 1 bar²⁾ at the valve inlet and free outlet
- 2.) A pressure difference of 0.5 bar is required to open the full cross-section.
- 3.) Pressure data: overpressure to atmospheric pressure

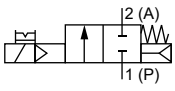
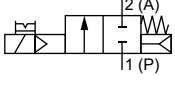
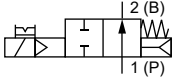
| Further variants on request | |
|-------------------------------------------------------------------------------------------------------------------------------------------------------------------------------------------------------------------------------------------------------------------------------------------|------------------------------------------------------------------------------------------------------------------------------------|
|  Additionally With optical position indicator or electrical position feedback sensor as potential-free contact or Namur signal |  Pressure Pressure range up to 16 bar |
|  Approval UL, UR, CSA, Hazardous Locations Expl. proof, Ex, KOSHA, NEPSI, CGA/AGA, FM Ex Div. 1 or 2, drinking water approval acc. to UBA assessment principles (PF36/PF39), impulse variant |  Voltage Further voltages |

DTS 1000011015 EN Version: X Status: RL (released | freigegeben | valide) printed: 26.02.2026

ATEX/IECEX variant




Note:

- Max. switching frequency 20/min at max. medium temperature + 70 °C and max. ambient temperature + 40 °C
- Max. switching frequency 5/min at max. medium temperature + 90 °C and max. ambient temperature + 55 °C

| Circuit function | Port connection | Nominal diameter | Flow coefficient | Pressure range ^{3.)} | Weight | Article no. | | |
|----------------------------------------------------------------------------------------------------------------------------------------------------------------------------------------------|--------------------------------------------------------------------------------------------------------------------------------------------------------------------------------------------|------------------|------------------------|-------------------------------|--------|-------------|-------------|--|
| | | [mm] | water ^{1,2.)} | [bar] | | 024 / AC/DC | 230 / AC/DC | |
| | | | [m ³ /h] | | | [V/Hz] | [V/Hz] | |
| With manual override and terminal box | | | | | | | | |
| CF A 2/2-way solenoid valve Servo-controlled, with manual override Normally closed  | Brass body with threaded connection, seal material FKM | | | | | | | |
| | G 1/2 | 13 | 4.0 | 0.5...10 | 1.1 | 355080 | 355093 | |
| | G 3/4 | 20 | 6.5 | 0.5...10 | 1.5 | 355110 | 355098 | |
| | G 1 | 25 | 10.0 | 0.5...10 | 2.0 | 355096 | 355097 | |
| | G 1 1/4 | 32 | 20.0 | 0.5...10 | 2.7 | o. r. | o. r. | |
| | G 1 1/2 | 40 | 20.0 | 0.5...10 | 3.2 | 355118 | 355088 | |
| | G 2 | 50 | 40.0 | 0.5...10 | 5.3 | o. r. | o. r. | |
| | Stainless steel body with threaded connection, seal material FKM | | | | | | | |
| | G 1/2 | 13 | 4.0 | 0.5...10 | 1.0 | 355087 | 355103 | |
| | G 1/2 | 20 | 5.0 | 0.5...10 | 1.5 | 355081 | 355085 | |
| | G 3/4 | 20 | 6.5 | 0.5...10 | 1.5 | 355089 | 355092 | |
| | G 1 | 25 | 10.0 | 0.5...10 | 1.9 | 355084 | 355102 | |
| | G 1 1/4 | 32 | 20.0 | 0.5...10 | 2.4 | o. r. | 355107 | |
| | G 1 1/2 | 40 | 20.0 | 0.5...10 | 2.8 | 370934 | 355111 | |
| G 2 | 50 | 40.0 | 0.5...10 | 4.9 | o. r. | o. r. | | |
| With manual override and cable outlet, cable 3 m | | | | | | | | |
| CF A 2/2-way solenoid valve Servo-controlled, with manual override Normally closed  | Brass body with threaded connection, seal material NBR | | | | | | | |
| | G 1/2 | 13 | 4.0 | 0.5...10 | 1.0 | 349632 | 349634 | |
| | G 3/4 | 20 | 6.5 | 0.5...10 | 1.5 | 349647 | 349648 | |
| | G 1 | 25 | 10.0 | 0.5...10 | 1.9 | 349627 | 349637 | |
| | G 1 1/4 | 32 | 20.0 | 0.5...10 | 2.7 | 349644 | 349649 | |
| | G 1 1/2 | 40 | 20.0 | 0.5...10 | 3.1 | 349651 | 349652 | |
| | G 2 | 50 | 40.0 | 0.5...10 | 5.2 | 349635 | 349650 | |
| | G 2 1/2 | 65 | 40.0 | 0.5...10 | 6.0 | 357536 | 349653 | |
| | CF B 2/2-way solenoid valve Servo-controlled, with manual override Normally open  | | | | | | | |
| | | | | | | | | |
| | | | | | | | | |
| | | | | | | | | |
| | | | | | | | | |
| | | | | | | | | |
| | | | | | | | | |

o. r. = on request

- 1.) Measurement at + 20 °C, 1 bar^{2.)} at the valve inlet and free outlet
- 2.) A pressure difference of 0.5 bar is required to open the full cross-section.
- 3.) Pressure data: overpressure to atmospheric pressure

| Further variants on request | |
|--------------------------------------------------------------------------------------------------------------------------------------|------------------------------------------------------------------------------------------------------------------------------------|
|  Material Seal material: NBR, FKM, EPDM |  Pressure Pressure range up to 16 bar |
|  Voltage 110/UC | |

DTS 1000011015 EN Version: X Status: RL (released | freigegeben | valide) printed: 26.02.2026

8.5. Ordering chart accessories

Cable plug Type 2518, form A according to DIN EN 175301 - 803

Note:

- Dimensions in mm
- For further variants see data sheet **Type 2518** ▶

| Cable plug | Dimensions | Variant | Voltage | Article no. |
|------------|------------|-----------------------------------------------------------------------------------------------------|-----------------|-------------|
| | | Without wiring (AC/DC) | 0...250 V AC/DC | 314802 𐀀 |
| | | With LED (AC/DC) | 12...24 V AC/DC | 314812 𐀀 |
| | | With LED and varistor (AC/DC) | 12...24 V AC/DC | 314820 𐀀 |
| | | With rectifier, LED and varistor | 12...24 V AC/DC | 314816 𐀀 |
| | | Without wiring (AC/DC) with silicone seal for higher ambient temperature, e.g. steam variant (NA07) | 0...250 V AC/DC | 361687 𐀀 |

Cable plug Type 2509, form A according to DIN EN 175301 - 803

Note:

- Dimensions in mm
- Without wiring (standard)
- Refer to data sheet **Type 2509** ▶ for more information about the cable plug.

| Cable plug | Dimensions | Variant | Voltage | Article no. |
|------------|------------|----------------|-----------------|-------------|
| | | Without wiring | 0...250 V AC/DC | 137943 𐀀 |

Cable glands for ATEX/IECEx terminal box

Note:

- A polyamide cable gland is included in the scope of delivery. A nickel-plated brass variant can be ordered for a surcharge.
- Refer to **"7.1. Cable glands for ATEX/IECEx terminal box"** on page 11 for more information about Ex cable glands.
- Refer to **"7.2. Special tool to turn the terminal box"** on page 12 for more information about Ex cable glands.

| Description | Article no. |
|----------------------------------------------------------------|-------------|
| Ex cable gland, nickel-plated brass, 6...13 mm ¹⁾ | 773278 𐀀 |
| Ex cable gland, polyamide, 7...13 mm ¹⁾ | 773277 𐀀 |
| Set SC02-AC10: special tool ²⁾ incl. service manual | 293488 𐀀 |

1.) Cable diameter

2.) Not included in the scope of delivery of the valve