





Media Supply Unit

- Compact design and modular system
- Easy maintenance
- Filter integrated
- Exact pressure control
- Easy to scale and stackable in any order

Product variants described in the data sheet may differ from the product presentation and description.

Can be combined with

	Type 6144 3/2-way flipper solenoid valve, direct-acting	▶
	Type 2505 10 mm socket for Bürkert small solenoid valves	▶

Type description

An essential function for a treatment unit is the precise control of the input media air and water for supplying the instruments. Bürkert has therefore developed a media supply unit that can be flexibly adapted to the requirements of different concepts and decisively reduces the development effort. The unit takes over the control of the input media air and water and provides them at the necessary pressure and flow rate for the corresponding modules in the treatment unit. It integrates all necessary functions and operates reliably and quietly.

The integration of the management of air and water in one supply unit reduces complexity and means reduced logistical effort in the assembly of the treatment unit. Maintenance of the media supply unit as such is also greatly simplified. It is designed in such a way that the filter can be replaced without dripping.

The media supply unit has been developed in accordance with ISO 7494/2 - 2015 and includes all relevant certificates.

Table of contents

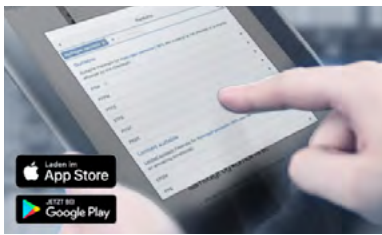
1. General technical data	3
2. Materials	4
2.1. Chemical Resistance Chart – Bürkert resistApp.....	4
3. Dimensions	4
3.1. Basic	4
3.2. Stacked	5
3.3. Single module air	6
3.4. Single module water	6
4. Performance specifications	7
4.1. Flow characteristic	7
Flow diagram	7
Flow plan.....	8
5. Product design and assembly	9
5.1. Product features.....	9
6. Ordering information	10
6.1. Ordering chart.....	10
6.2. Ordering chart accessories.....	11
Accessory	11
Rectangular cable plug Type 2505	11

1. General technical data

Product properties	
Dimensions	Detailed information can be found in chapter "3. Dimensions" on page 4.
Materials	
In contact with air	PPS, FKM, PBT, POM, PE, brass, stainless steel, EPDM
In contact with water	PBT, POM, PE, brass, stainless steel, EPDM
Valve	Type 6144 (for further information see data sheet Type 6144 ▶)
Performance data	
Pressure range	
Inlet pressure air	4.5...8 bar
Outlet pressure air	Adjustable between 3...5.5 bar
Inlet pressure water	2...6 bar
Outlet pressure water	Adjustable between 1.5...3 bar
Filter	
Air	< 50 µm
Water	< 100 µm
Flow rate	
Air	See diagram page "4. Performance specifications" on page 7
Water	See diagram page "4. Performance specifications" on page 7
Electrical data	
Power supply	24 V DC (other voltages on request)
Voltage tolerance	± 10 % (incl. residual ripple)
Power consumption	0.8 W
Protection class	IP65 with flying leads IP30 with rectangular plug Type 2505 ▶
Medium data	
Operating medium	Resistant to neutral liquids and gases
Medium temperature	+5 °C...+55 °C
Approvals and certificates	
Suitable for food industry	All raw materials are FDA conform
Suitable for drinking water	The materials are chosen according to the German drinking water directive (KTW, W270, UBA listed materials)
Developed according to	ISO 7494/2/2015
Process/Port connection & communication	
Output port	Push-in connector (tube's external diameter 6 mm)
Input port	G 1/8" male thread Optional G 3/8" female thread
Electrical connection	300 mm flying leads (other lengths on request) Optional rectangular plug Type 2505 ▶
Environment and installation	
Installation	As required, preferably with actuator upright (drip-free filter replacement)
Ambient temperature	+5 °C...+55 °C

2. Materials

2.1. Chemical Resistance Chart – Bürkert resistApp



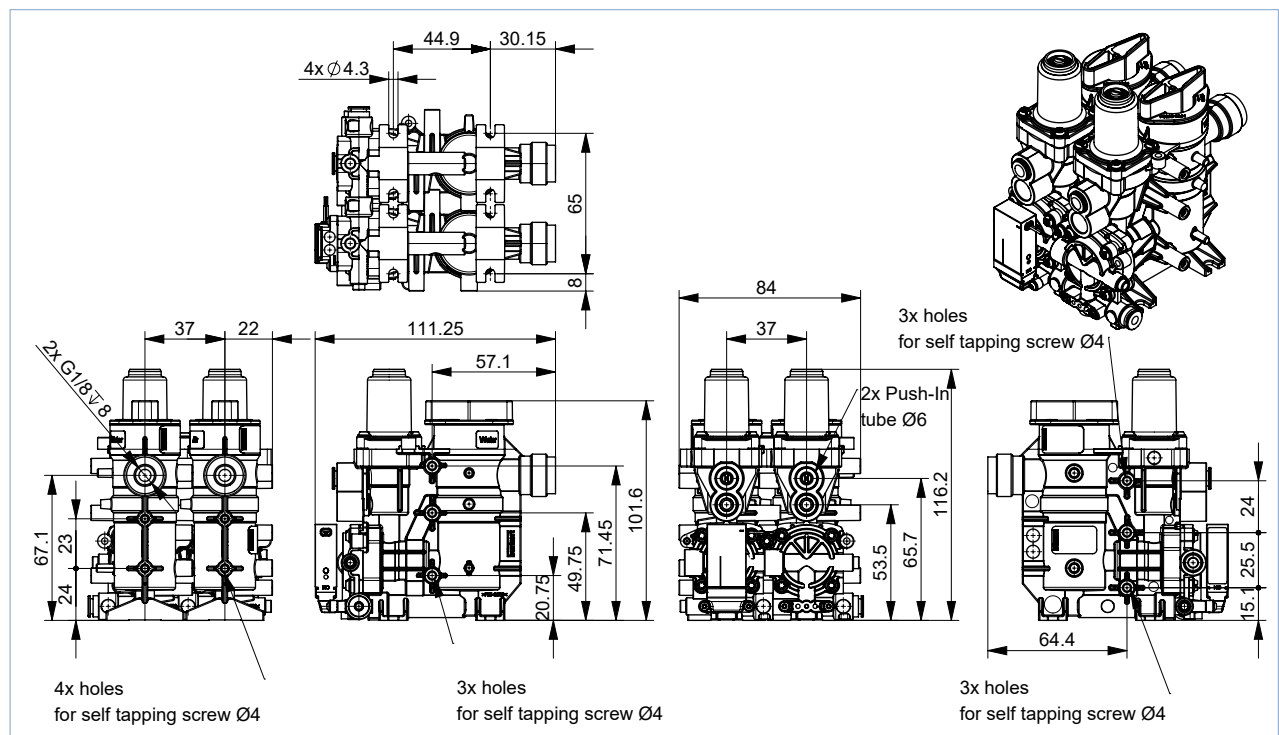
Bürkert resistApp – Chemical Resistance Chart

You want to ensure the reliability and durability of the materials in your individual application case? Verify your combination of media and materials on our website or in our resistApp.

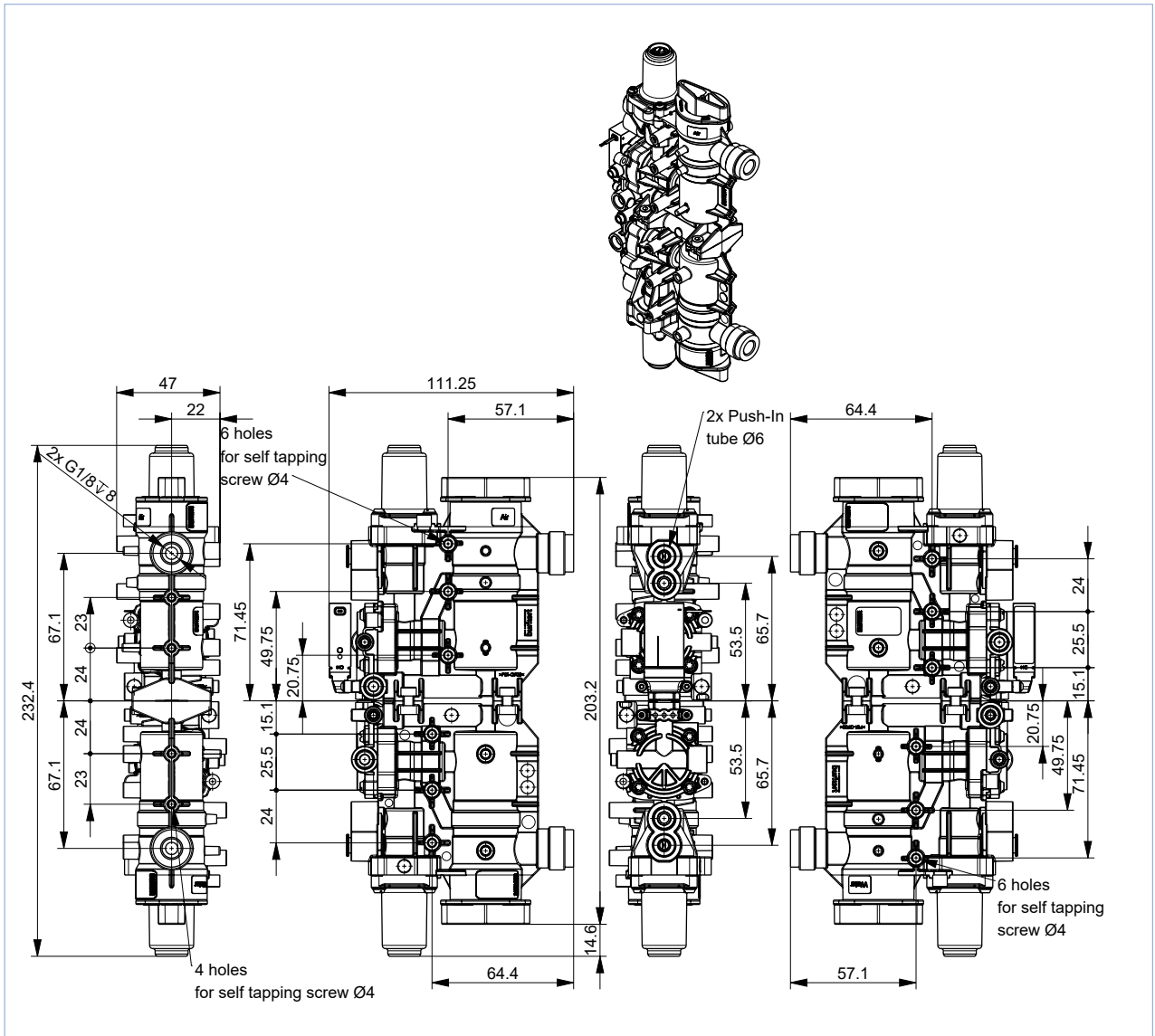
[Start Chemical Resistance Check](#)

3. Dimensions

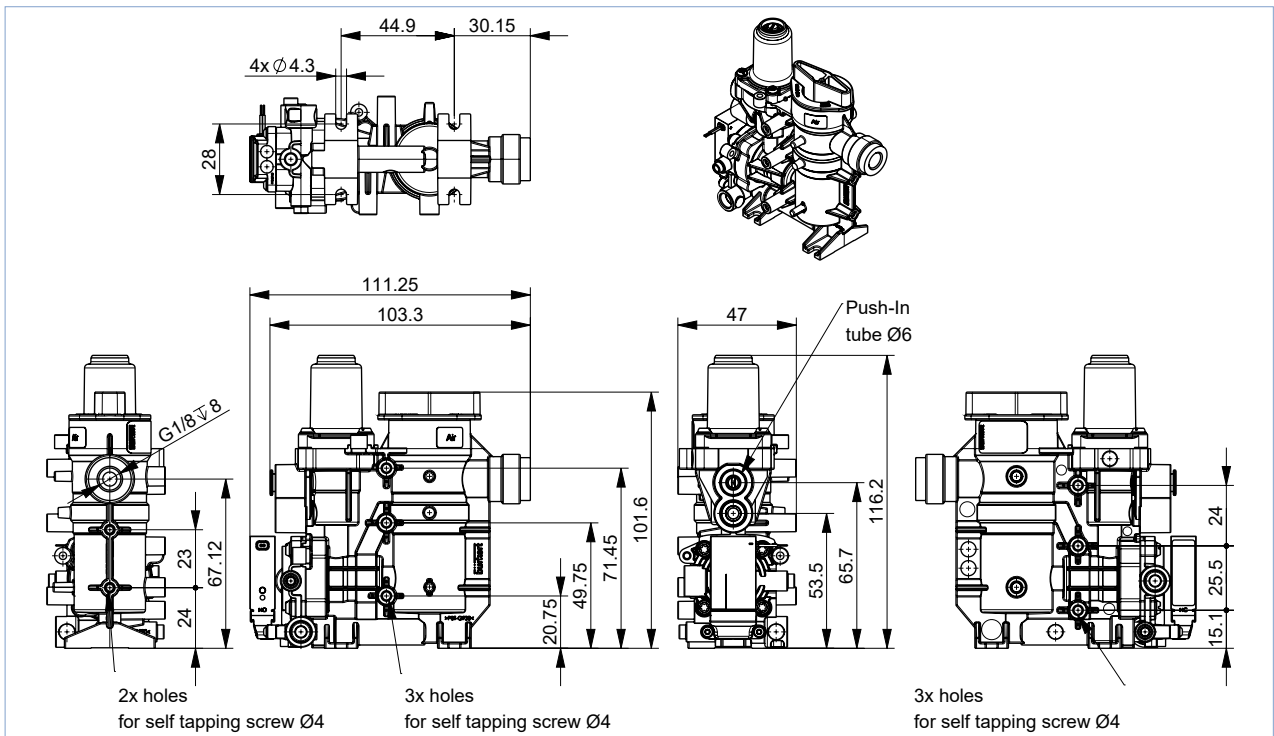
3.1. Basic



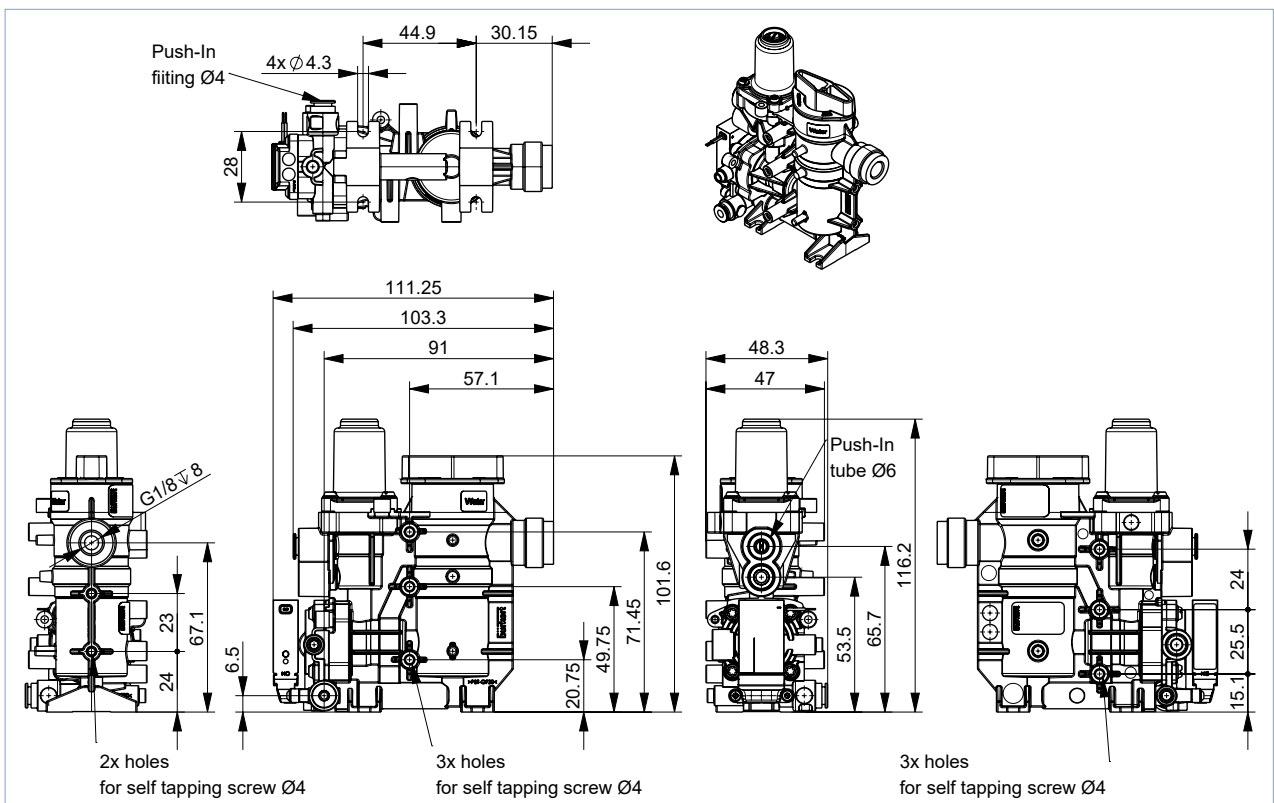
3.2. Stacked



3.3. Single module air



3.4. Single module water



4. Performance specifications

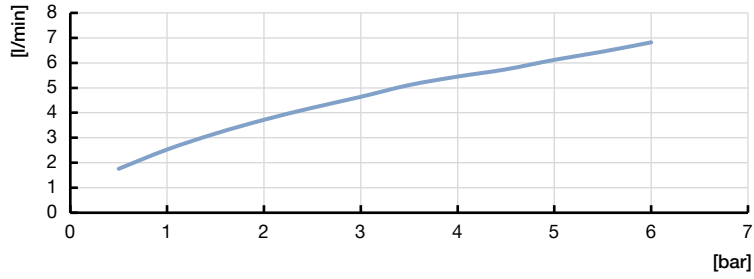
4.1. Flow characteristic

Flow diagram

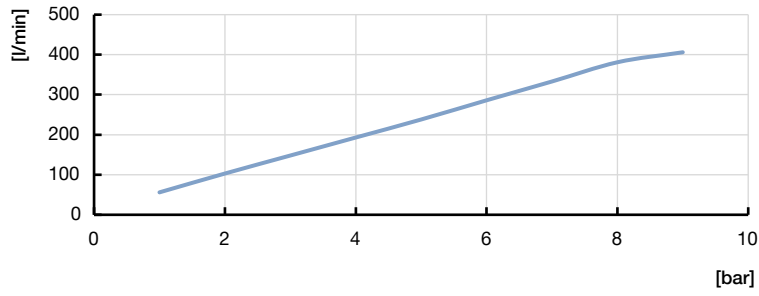
Note:

Diagram shows flow rate with pressure regulator fully open.

Flow rate water

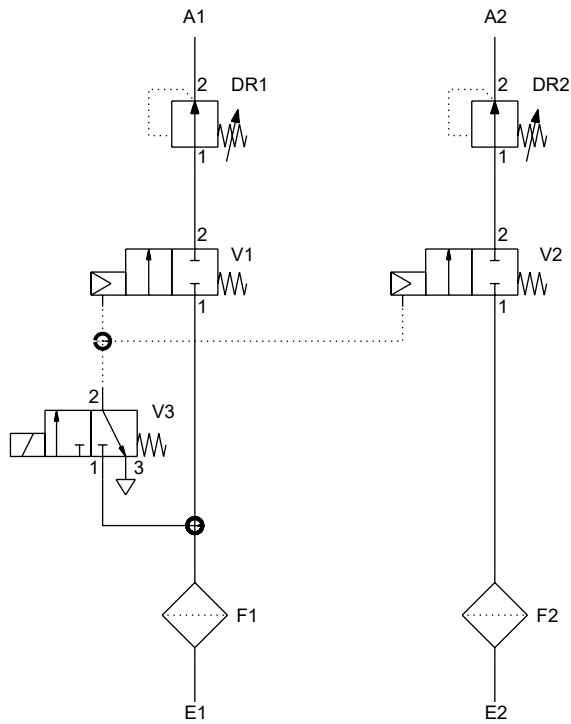


Flow rate air



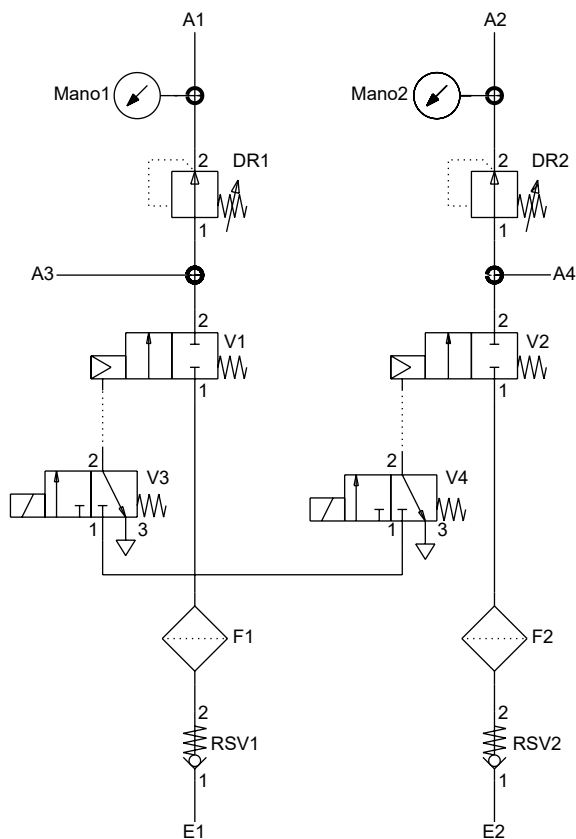
Flow plan

Basic



Port	Description
E1	Air inlet
E2	Water inlet
F1	Filter air < 50 µm
F2	Filter water < 100 µm
V1	Valve air
V2	Valve water
V3	Pilot valve
DR1	Pressure controller air
DR2	Pressure controller water
A1	Air outlet; controlled
A2	Water outlet; controlled

All variants



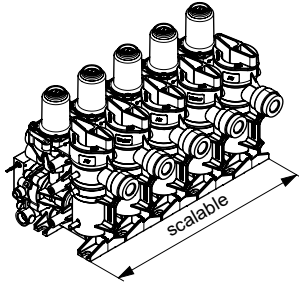
Port	Description
E1	Air inlet
E2	Water inlet
RSV1	Check valve air
RSV2	Check valve water
F1	Filter air < 50 µm
F2	Filter water < 100 µm
V1	Valve air
V2	Valve water
V3	Pilot valve air
V4	Pilot valve water
DR1	Pressure controller air
DR2	Pressure controller water
Mano 1	Manometer air
Mano 2	Manometer water
A1	Air outlet; controlled
A2	Water outlet; controlled
A3	Air outlet; uncontrolled
A4	Water outlet; uncontrolled

DTS 1000574411 EN Version: - Status: RL (released | freigegeben | validé) printed: 18.12.2024

5. Product design and assembly

5.1. Product features

- Modules can be used individually.
- Combination of further modules possible (e.g. two air and one water).
- Module can be used with external control air.
- By using 2 pilot valves it is possible to switch the medium individually.
- A not pressure regulated outlet connection can be added additionally.



6. Ordering information

6.1. Ordering chart

Note:











For orders and samples, please contact your Bürkert partner.

Description		Article no.
	Medium supply unit - basic	20001200 
	Medium supply unit - stacked	20001997 
	Medium supply unit - single air	20028041 
	Medium supply unit - single water	20028042 

DTS 1000574411 EN Version: - Status: RL (released | freigegeben | validé) printed: 18.12.2024


6.2. Ordering chart accessories


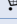


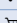

Accessory

Description	Article no.
 Air filter mesh size < 50 µm	60006603 
 Water filter mesh size < 100 µm	60005045 
 Manometer (not drinking water certified)	20027912 
 Adapter for G 1/8" male thread to G 3/8" female thread	20027915 
 Fastening set for mounting on side panel	20027916 

Rectangular cable plug Type 2505

Note:

- The standard version is a flying leads version and no cable is required!
- For further versions see data sheet **Type 2505** .

Accessories	Description	Article no.
	Rectangular cable plug Type 2505 with 3 m cable	252572 
	Rectangular cable plug Type 2505 with 5 m cable	255194 
	Rectangular cable plug Type 2505 with 300 mm flying leads	644068 
	Rectangular cable plug Type 2505 with 600 mm flying leads	162144 

Bürkert – Close to You

For up-to-date addresses
please visit us at
www.burkert.com

DTS 1000574411 EN Version: - Status: RL (released | freigegeben | validé) printed: 18.12.2024

Austria
Belgium
Czech Republic
Denmark
Finland
France
Germany
Italy
Netherlands

Norway
Poland
Spain
Sweden
Switzerland
Turkey
United Kingdom

Russia

Canada
USA

Brazil
Uruguay

South Africa

United
Arab
Emirates

Australia
New Zealand

China
Hong Kong
India
Japan
Korea
Malaysia
Philippines
Singapore
Taiwan