



Electromotive 2/2-way diaphragm valve (on/off)

- Safety position through energy storage
- Adjustable driving force
- Diagnostics functions and fieldbus connection
- Wetted surfaces in Ra ≤ 0.38 µm...1.6 µm (optionally electropolished)
- Available in nominal diameters DN 06...DN 100

Product variants described in the data sheet may differ from the product presentation and description.

Can be combined with

| | | |
|--|---|---|
| | Type SV02 Diaphragms | ▶ |
| | Type ME61 EDIP process display | ▶ |
| | Type ME63 Industrial Ethernet gateway, IP65/IP67/IP69k | ▶ |
| | Type ME43 Fieldbus gateway | ▶ |
| | Type 8098 FLOWave SAW flowmeter | ▶ |

Type description

The externally controlled Type 3323 diaphragm valve consists of an electrically controlled linear actuator (on/off), a diaphragm and a 2/2-way valve body. The electric actuator with ball screw ensures usage under hygienic or aggressive ambient conditions. The flow-optimised valve body with minimum dead space enables high flow values and a wide range of possible applications. An optional energy storage device guarantees the safety position in the event of a power failure. The position is indicated by means of a 360° LED light ring. The actuator has a drive force adjustment to protect the diaphragm. A correspondingly high IP protection of IP65/IP67 ensures adequate splash protection. The electromotive actuator of the diaphragm valve with ball screw moves to the desired end position at a particularly high speed of up to 4 mm/s. Moreover, the valve is also equipped with a mechanical position indicator and corresponding explosion protection ATEX/II 3G Ex ec IIC T4 Gc/II 3D Ex tc IIIC T135 °C Dc.

Table of contents

| | |
|--|-----------|
| 1. General technical data | 4 |
| <hr/> | |
| 2. Approvals and conformities | 6 |
| 2.1. General notes | 6 |
| 2.2. Conformity | 6 |
| 2.3. Standards | 6 |
| 2.4. Explosion protection..... | 6 |
| 2.5. North America (USA/Canada) | 6 |
| 2.6. Foods and beverages/Hygiene | 7 |
| 2.7. Others | 7 |
| Oxygen | 7 |
| TA Luft..... | 7 |
| <hr/> | |
| 3. Materials | 8 |
| 3.1. Bürkert resistApp | 8 |
| 3.2. Pressure temperature diagram for plastic valve body | 8 |
| 3.3. Material specifications | 9 |
| 3.4. Example of available diaphragm materials..... | 9 |
| <hr/> | |
| 4. Dimensions | 10 |
| 4.1. Actuator | 10 |
| AG2..... | 10 |
| AG3..... | 11 |
| 4.2. Forged steel valve body (VS) with welded connection | 12 |
| 4.3. Forged steel valve body (VS) with clamp connection..... | 14 |
| 4.4. Tube valve body (VP) with welded connection..... | 16 |
| 4.5. Tube valve body (VP) with clamp connection | 17 |
| 4.6. Tube valve body (VP) with threaded connection | 18 |
| 4.7. Tube valve body (VP) with flange connection..... | 19 |
| 4.8. Cast valve body (VG) with welded connection | 20 |
| 4.9. Cast valve body (VG) with clamp connection | 22 |
| 4.10. Plastic valve body (PV, PP, PD) with spigot connection | 23 |
| 4.11. Plastic valve body (PW, PV, PP, PD) with true union..... | 25 |
| 4.12. Plastic valve body (PV, PP, PD) with flange connection | 28 |
| <hr/> | |
| 5. Product connections | 30 |
| 5.1. Electrical connection | 30 |
| Description of circular plug-in connectors..... | 30 |
| Circular plug-in connector with pin assignment | 32 |
| <hr/> | |
| 6. Performance specifications | 33 |
| 6.1. Fluidic data..... | 33 |
| Flow characteristics | 33 |
| Plastic valve body (PW, PV, PP, PD)..... | 34 |
| 6.2. Operating limits | 35 |
| Medium pressure..... | 35 |
| Operating limits for ambient and medium temperature..... | 35 |
| 6.3. Electrical control and interfaces..... | 37 |
| Interface diagram | 37 |

| | |
|---|-----------|
| 7. Product design and assembly | 38 |
| 7.1. Product features | 38 |
| 7.2. Product assembly | 41 |
| Design of electromotive diaphragm valve Type 3323 AG2 | 41 |
| Design of electromotive diaphragm valve Type 3323 AG3 | 42 |
| 8. Ordering information | 43 |
| 8.1. Bürkert eShop | 43 |
| 8.2. Bürkert product filter | 43 |
| 8.3. Bürkert Product Enquiry Form | 43 |
| 8.4. Ordering chart accessories | 44 |
| Standard accessories | 44 |
| Accessories cable | 44 |
| Bürkert accessories | 44 |

DTS 1000303513 EN Version: AA Status: RL (released | freigegeben | valide) printed: 26.03.2026

1. General technical data

Note:

- AG2: actuator size 2 with a nominal force of 2500 N for diaphragm size 8...40
- AG3: actuator size 3 with a nominal force of 11500 N for diaphragm size 40...100

| Product properties | |
|--|--|
| Dimensions | Further information can be found in chapter "4. Dimensions" on page 10. |
| Material | |
| Forged steel valve body (VS) ¹⁾ | Forged stainless steel 1.4435 according to BN2 DIN EN 10222 - 5, F316L according to ASTM A182/A182M and 316L according to ASME BPE |
| Stainless steel block material (VI etc.) ¹⁾ | Bloc material 1.4435 according to BN2 and 316L according to ASME BPE table DT- 3 |
| Tube valve body (VP) ¹⁾ | Stainless steel tube 1.4435-BN2 / UNS S31603 (316L) according to DIN 11866, ASTM A269 / A270, DIN EN 10217 - 7 / 10216 - 5 |
| Cast valve body (VG) ¹⁾ | Stainless steel investment cast material 1.4435 / 316L |
| Plastic valve body (PW, PV, PP, PD) ¹⁾ | PVC-C, PVC-U, PP, PVDF |
| Design | Diaphragm on/off valve |
| Diaphragm | EPDM (AD) ¹⁾ , PTFE/EPDM (EA) ¹⁾ , Advanced PTFE/EPDM (EU) ¹⁾ , laminate of GYLON® and EPDM (ER) ¹⁾ |
| Diaphragm size | 8...100, for plastic valve body 15...100 |
| Standard surface quality²⁾ | |
| Forged steel valve body (VS) ¹⁾ | Internally electrically polished: Ra ≤ 0.38 µm (NO17) ¹⁾ (ASME BPE SF4/DIN HE4) (externally forged surface, electrically polished) Internally mechanically polished: Ra ≤ 0.5 µm (NO14) ¹⁾ (ASME BPE SF1) (externally forged surface) |
| Stainless steel block material (VI etc.) ¹⁾ | Internally electrically polished: Ra ≤ 0.38 µm (NO17) ¹⁾ (ASME BPE SF4/DIN HE4) (externally electrically polished) Internally mechanically polished: Ra ≤ 0.5 µm (NO14) ¹⁾ (ASME BPE SF1) (externally mechanically machined) |
| Tube valve body (VP) ¹⁾ | Internally electrically polished: Ra ≤ 0.38 µm (NO17) ¹⁾ (ASME BPE SF4/DIN HE4) (externally electrically polished) Internally glass-bead blasted: Ra ≤ 1.6 µm (NO05) ¹⁾ (externally glass-bead blasted) |
| Cast valve body (VG) ¹⁾ | Internally electrically polished: Ra ≤ 0.6 µm (NO16) ¹⁾ (ASME BPE SF6) (externally cast surface, electrically polished) Internally mechanically polished: Ra ≤ 0.76 µm (NO06) ¹⁾ (ASME BPE SF3/DIN H2) (externally cast surface) |
| Safety setting in case of power failure | With energy storage SAFEPOS energy-pack: open, closed or freely programmable position Without energy storage SAFEPOS energy-pack: blocked in last position |
| Service life of energy storage SAFEPOS energy-pack | Up to 10 years (depending on operating conditions) |
| Performance data | |
| Closing time | AG2: 1.5...4.5 s AG3: 5.7...12.0 s (Depending on travel speed, stroke and operating conditions) |
| Travel speed | 4 mm/s (for AG2 actuator force 2500 N) 3 mm/s (for AG3 actuator force 11500 N) |

DTS 1000303513 EN Version: AA Status: RL (released | freigegeben | valide) printed: 26.03.2026

| Electrical data | |
|---|--|
| Operating voltage | 24 V DC ± 10 % (maximum residual ripple 10 %) |
| Operating current ^{3.)} | AG2: maximum 3 A (at maximum load and including 1 A charging current of the optional energy storage SAFEPOS energy-pack). At minimum operating temperature additionally 2 A AG3: maximum 5 A (at maximum load and including charging current of the optional energy storage SAFEPOS energy-pack). At minimum operating temperature additionally 6 A |
| Protection class (DIN EN 61140) | III |
| Duty cycle | 100 % |
| Standby consumption ^{3.)} | 1...5 W |
| Communication and control | |
| Digital input for position signal | 0...5 V (log „0“) 10...30 V (log „1“) |
| Fieldbus (digital) | Bürkert system bus (bÜS) CANopen (optional) EtherNet/IP, PROFINET, Modbus TCP, EtherCAT (optional via integrated gateway) |
| Medium data | |
| Operating medium | Neutral gases and fluids, highly purified, sterile, aggressive or abrasive mediums (see chemical resistance chart ▶) |
| Medium temperature | |
| EPDM (AD) ^{1.)} | - 10...+ 143 °C (steam sterilisation + 150 °C for 60 min) |
| PTFE/EPDM (EA) ^{1.)} | - 10...+ 130 °C (steam sterilisation + 140 °C for 60 min) |
| Advanced PTFE/EPDM (EU) ^{1.)} | - 5...+ 143 °C (steam sterilisation + 150 °C for 60 min) |
| Laminate of GYLON® and EPDM (ER) ^{1.)} | - 5...+ 130 °C (steam sterilisation + 140 °C for 60 min) |
| Plastic body | See “3.2. Pressure temperature diagram for plastic valve body” on page 8 |
| Product connections | |
| Port connection ^{2.)} | |
| Nominal diameter | DN 06...DN 100 (1/8" ... 4") |
| Stainless steel body ^{4.)} | |
| Welded connection ^{2.)} | DIN EN ISO 1127 / ISO 4200 / DIN 11866 series B DIN 11850 - 2 / DIN 11866 series A / DIN EN 10357 series A ASME BPE / DIN 11866 series C |
| Clamp connection ^{2.)} | DIN 32676 series A (DIN pipe) DIN 32676 series B (ISO pipe) ASME BPE |
| Plastic body | |
| Spigot connection | DN 15...DN 50 |
| True union | DN 15...DN 50 |
| Loose flange | DN 15...DN 65 |
| Fixed flange | DN 80...DN 100 |
| Electrical connection | |
| Actuator | Terminal strip with cable bushing (only AG2), 2 x M20 or 2 x M12 circular plugs, 5-pin and 8-pin |
| Fieldbus gateway | 2 x M12 circular sockets, 4-pin (only with Industrial Ethernet) Further information can be found in chapter “5. Product connections” on page 30. |
| Approvals and conformities | |
| Further information can be found in chapter “2. Approvals and conformities” on page 6. | |
| Detergent resistance | According to Ecolab test method: F&E/P3-E No. 40 - 1 |
| Environment and installation | |
| Ambient temperature | - 10 °C...+ 65 °C ^{4.)} (without energy storage SAFEPOS energy-pack) - 10 °C...+ 55 °C ^{4.)} (with energy storage SAFEPOS energy-pack) Derating see “Operating limits for ambient and medium temperature” on page 35 |
| Degree of protection | IP65/IP67 (DIN EN 60529), NEMA 4X |
| Installation position | As required, preferably with actuator upright |

1.) This information is part of the product key (see **“8.3. Bürkert Product Enquiry Form” on page 43.**)

2.) Other approvals/declarations of conformity/certificates are available on request.

3.) All values relate to a supply voltage of 24 V at + 25 °C.

4.) Depends on medium temperature, see chapter **“Operating limits for ambient and medium temperature” on page 35**

2. Approvals and conformities

2.1. General notes

- The approvals and conformities listed below must be stated when making enquiries. This is the only way to ensure that the product complies with all required specifications.
- Not all available variants can be supplied with the below mentioned approvals or conformities.



2.2. Conformity

In accordance with the Declaration of Conformity, the product is compliant with the EU Directives.


2.3. Standards

The applied standards which are used to demonstrate compliance with the EU Directives are listed in the EU-Type Examination Certificate and/or the EU Declaration of Conformity.



2.4. Explosion protection

| Approval | Description |
|---|--|
|   | <p>Optional: Explosion protection (valid for the variable code PX48) As a category 3 device suitable for zone 2/22.</p> <p>ATEX: BVS 17 ATEX E 117 X II 3G Ex ec IIC T4 Gc II 3D Ex tc IIIC T135 °C Dc</p> <p>IECEx: IECEx BVS 17.0100X Ex ec IIC T4 Gc Ex tc IIIC T135 °C Dc</p> |

2.5. North America (USA/Canada)


| Approval | Description |
|---|---|
|  | <p>Optional: Actuators UL Listed for the USA and Canada (valid for the variable code PU11) The actuators are UL Listed for the USA and Canada according to:</p> <ul style="list-style-type: none"> • UL 61010-1 (ELECTRICAL EQUIPMENT FOR MEASUREMENT, CONTROL, AND LABORATORY USE – Part 1: General Requirements) • CAN/CSA-C22.2 No. 61010-1 |

2.6. Foods and beverages/Hygiene

| Conformity | Description |
|---|--|
|  | 3-A Sanitary Standards Inc. (valid for the variable code PE05) The products comply with 3-A Sanitary Standards Inc (3-A SSI) as per certificate. |
| FDA | FDA – Code of Federal Regulations The diaphragms made of EPDM (AD), PTFE/EPDM (EA), Advanced PTFE/EPDM (EU) and laminate of GYLON® and EPDM (ER) comply with the Code of Federal Regulations published by the FDA (Food and Drug Administration, USA). |
| USP | United States Pharmacopeial Convention (USP) The diaphragms made of EPDM (AD), PTFE/EPDM (EA), Advanced PTFE/EPDM (EU) and laminate of GYLON® and EPDM (ER) are tested according to USP Class VI. |
|  | EC Regulation 1935/2004 of the European Parliament and of the Council The diaphragms made of EPDM (AD), PTFE/EPDM (EA), Advanced PTFE/EPDM (EU) and laminate of GYLON® and EPDM (ER) are suitable for use with food and beverages (according to EC Regulation 1935/2004/EC). |

2.7. Others

Oxygen

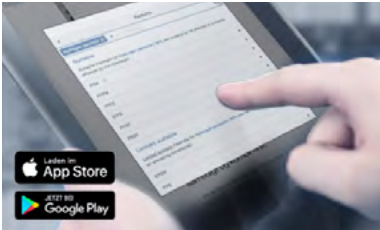
| Conformity | Description |
|---|---|
|  | Optional: Suitability for oxygen (valid for the variable code NL02) The products are suitable for use with gaseous oxygen, according to the manufacturer's declaration. |

TA Luft

| Conformity | Description |
|----------------|--|
| TA Luft | Technical instruction on air quality control (valid for the variable code PM01) |

3. Materials

3.1. Bürkert resistApp



Bürkert resistApp – Chemical resistance chart

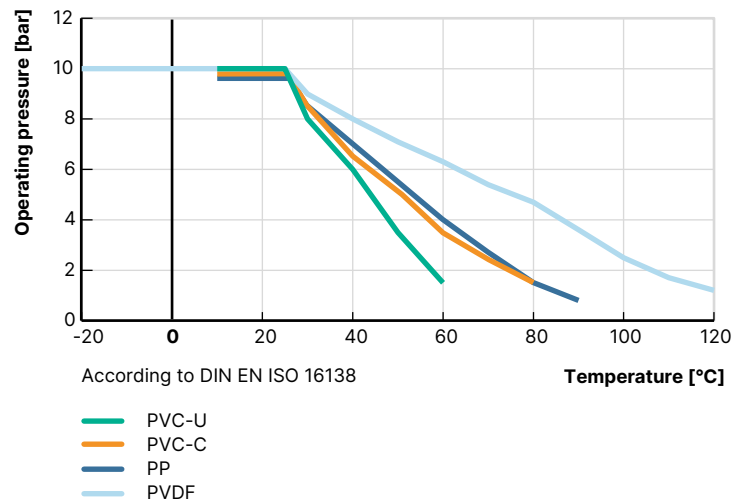
You want to ensure the reliability and durability of the materials in your individual application case? Verify your combination of media and materials on our website or in our resistApp.

[Start chemical resistance check](#)

3.2. Pressure temperature diagram for plastic valve body

Note:

This information is important for material selection. Observe the permissible operating pressure depending on the medium temperature.

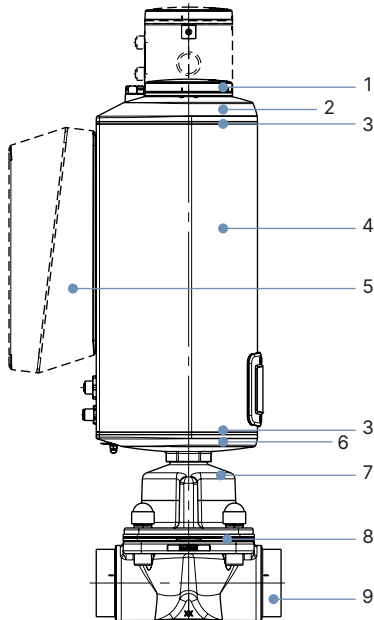


DTS 1000303513 EN Version: AA Status: RL (released | freigegeben | valide) printed: 26.03.2026

3.3. Material specifications

Note:

The exemplary representation may differ from the actual product.



AG2

| No. | Component | Material |
|-----|------------------|--|
| 1 | Blind cover | PPS (standard), stainless steel 1.4301 (for ATEX/IECEX) |
| 2 | Actuator cover | PPS |
| 3 | Seal | EPDM |
| 4 | Actuator housing | Powder-coated aluminium |
| 6 | Actuator base | PPS |
| 7 | Diaphragm bonnet | Stainless steel 1.4308 |
| 8 | Diaphragm | EPDM (AD) PTFE/EPDM (EA) Advanced PTFE/EPDM (EU) Laminate of GYLON® and EPDM (ER) |
| 9 | Valve body | See "1. General technical data" on page 4 |

AG3

| Np. | Component | Material |
|-----|--|--|
| 1 | Blind cover | PPS (standard), stainless steel 1.4301 (for ATEX/IECEX) |
| 2 | Actuator cover | PC |
| 3 | Seal | EPDM |
| 4 | Actuator housing | Powder-coated aluminium |
| 5 | Energy storage SAFEPOS energy-pack housing | PC |
| 6 | Actuator base | Stainless steel 1.4308 |
| 7 | Diaphragm bonnet | Stainless steel 1.4470 |
| 8 | Diaphragm | EPDM (AD) PTFE/EPDM (EA) Advanced PTFE/EPDM (EU) Laminate of GYLON® and EPDM (ER) |
| 9 | Valve body | See "1. General technical data" on page 4 |

3.4. Example of available diaphragm materials

The diaphragms have been developed to meet the unique challenges of hygienic and sterile requirements. Bürkert offers diaphragms with precise material composition and high accuracy. Bürkert diaphragms are available in a wide range of materials which have been tested and proven in applications in the food and beverage, biotechnology, pharmaceutical and cosmetics industries. The diaphragms are tested during development and production to ensure reliability under difficult process conditions.



- EPDM (AD)
- PTFE/EPDM (EA)
- Advanced PTFE/EPDM (EU)
- Laminate of GYLON® and EPDM (ER)

For further information please refer to our flyer "Diaphragm competence for hygienic applications" on our [website](#) ►.

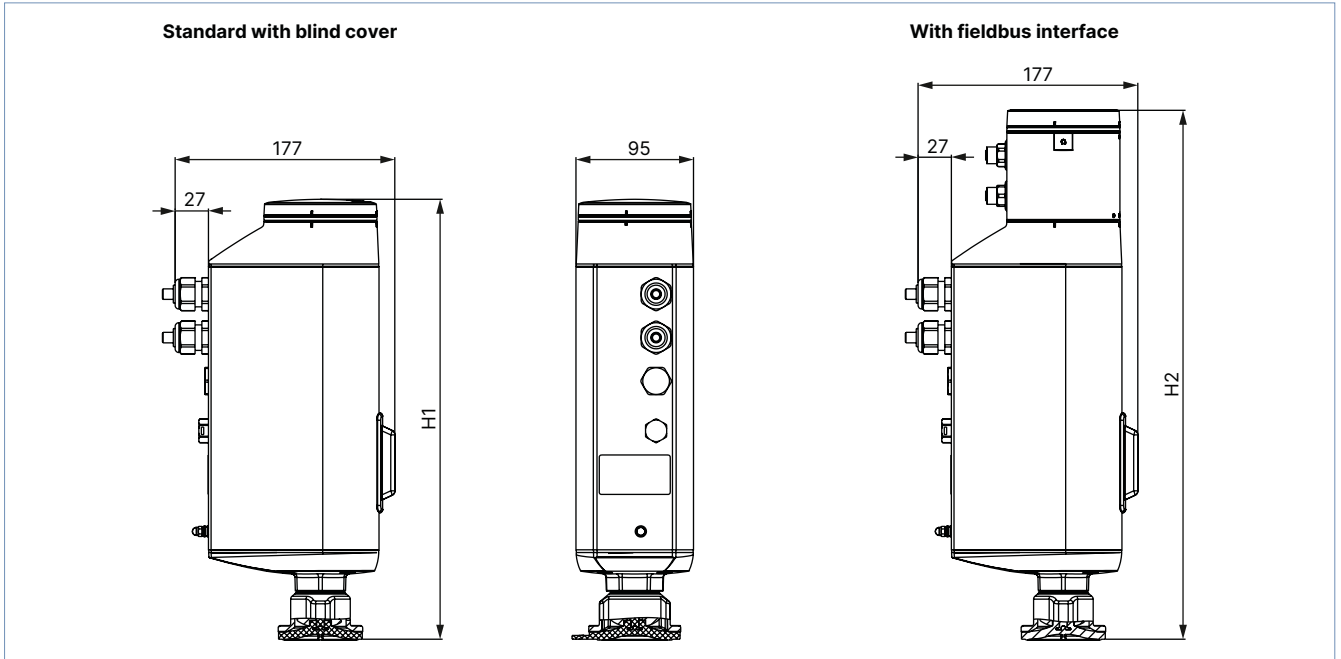
4. Dimensions

4.1. Actuator

AG2

Note:

Dimensions in mm, unless otherwise stated



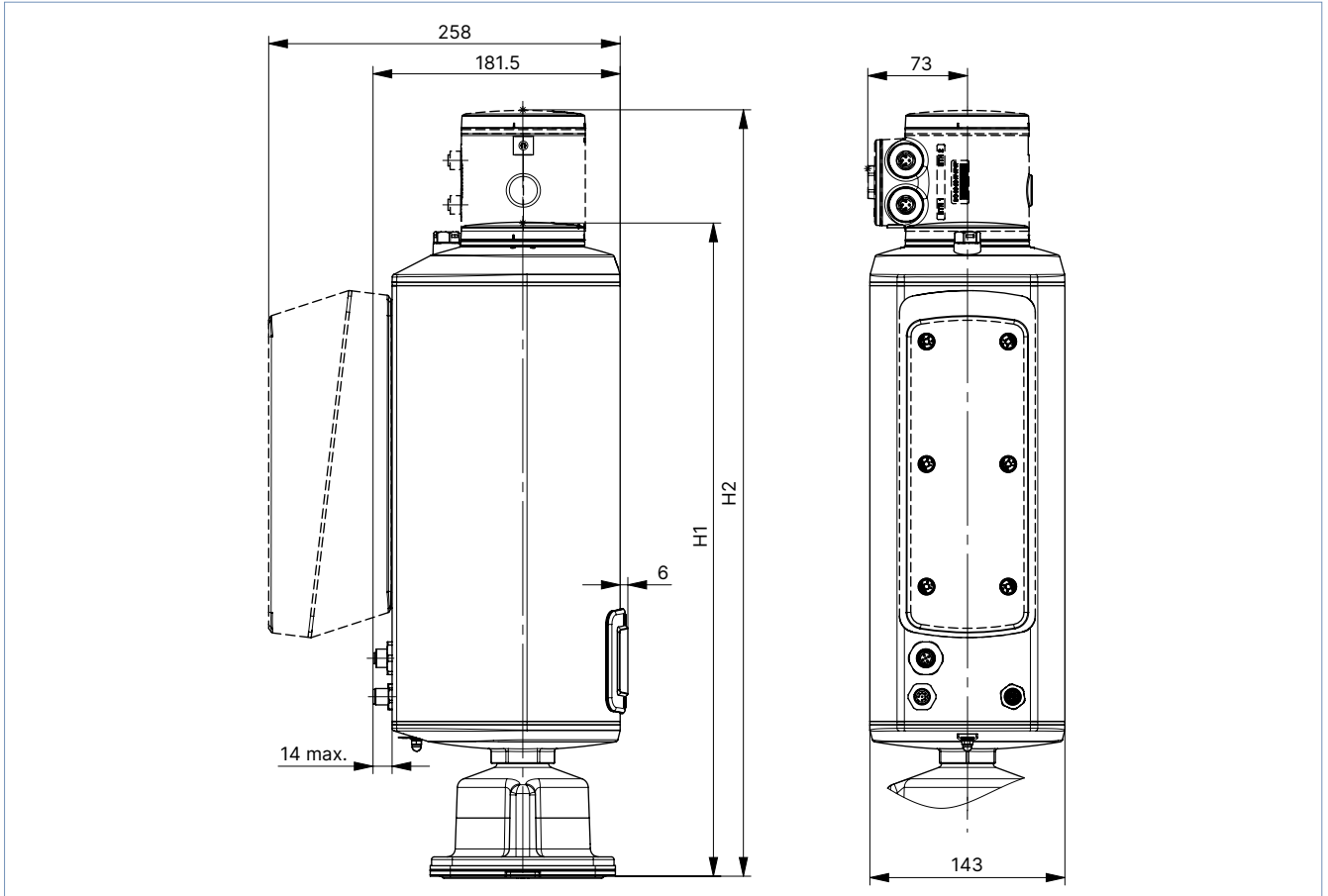
| Diaphragm size | Height | |
|----------------|------------------------|--|
| | H1 Standard variant | H2 ^{1.)} Fieldbus variant (KOMM ≠ G, N, L) |
| 8 | 342 | 414 |
| 15 | 345 | 418 |
| 20 | 350 | 422 |
| 25 | 355 | 426 |
| 32 | 365 | 436 |
| 40 | 370 | 442 |

1.) Option: integrated fieldbus gateway

AG3

Note:

Dimensions in mm, unless otherwise stated



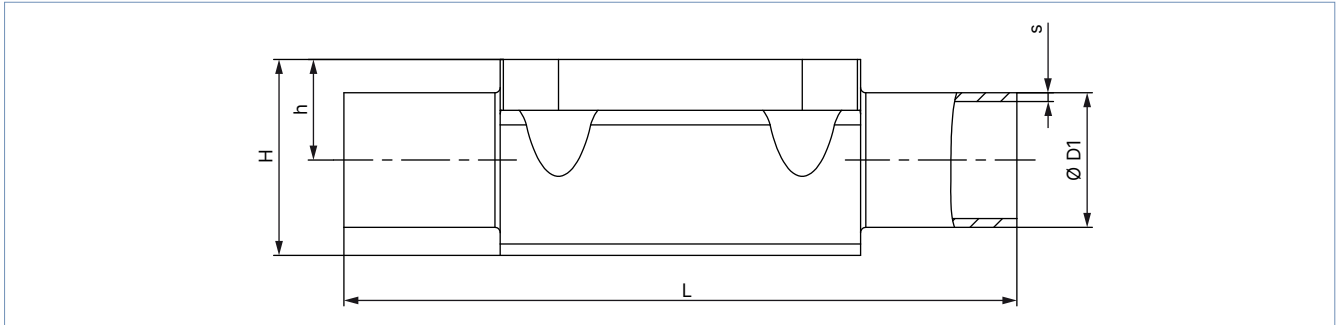
| Diaphragm size | Height | |
|----------------|------------------------|---|
| | H1 Standard variant | H2 ¹⁾ Fieldbus variant (KOMM ≠ G, N, L) |
| 40 | 452 | 523 |
| 50 | 462 | 533 |
| 65 | 477 | 548 |
| 80 | 479 | 550 |
| 100 | 482 | 553 |

1.) Option: integrated fieldbus gateway

4.2. Forged steel valve body (VS) with welded connection

Note:

- Dimensions in mm, unless otherwise stated
- Further information on the draining angle can be found in the “Additional manual Type 2xxx 3xxx” on our website (see **operating instructions Type 3323** ▶).



| Diaphragm size | Port connection DN | Ø D1 | s | L | h | H | Product key ¹⁾ |
|---|--------------------|-------|-----|-----|------|-------|---------------------------|
| DIN EN ISO 1127 / ISO 4200 / DIN 11866 series B | | | | | | | |
| 8 | 8 | 13.5 | 1.6 | 90 | 9.3 | 18.8 | SA40 |
| 15 | 8 | 13.5 | 1.6 | 108 | 8.2 | 20.0 | SA40 |
| 8 | 10 | 17.2 | 1.6 | 90 | 9.3 | 18.8 | SA41 |
| 15 | 10 | 17.2 | 1.6 | 110 | 12.1 | 23.8 | SA41 |
| 15 | 15 | 21.3 | 1.6 | 110 | 12.1 | 23.8 | SA42 |
| 20 | 15 | 21.3 | 1.6 | 119 | 16.0 | 30.3 | SA42 |
| 20 | 20 | 26.9 | 1.6 | 119 | 16.0 | 30.3 | SA43 |
| 25 | 20 | 26.9 | 1.6 | 119 | 19.0 | 37.0 | SA43 |
| 25 | 25 | 33.7 | 2.0 | 129 | 19.0 | 37.0 | SA44 |
| 40 | 25 | 33.7 | 2.0 | 161 | 27.6 | 52.4 | SA44 |
| 40 | 32 | 42.4 | 2.0 | 161 | 27.6 | 52.4 | SA45 |
| 40 | 40 | 48.3 | 2.0 | 161 | 27.6 | 52.4 | SA46 |
| 50 | 50 | 60.3 | 2.0 | 192 | 35.5 | 68.3 | SA47 |
| 65 | 65 | 76.1 | 2.0 | 192 | 43.0 | 83.5 | SA48 |
| 80 | 65 | 76.1 | 2.0 | 250 | 51.0 | 98.1 | SA48 |
| 80 | 80 | 88.9 | 2.3 | 250 | 51.0 | 98.1 | SA49 |
| 100 ²⁾ | 100 | 114.3 | 2.3 | 295 | 63.5 | 127.0 | SA39 |
| DIN 11850 - 2 / DIN 11866 series A / DIN EN 10357 series A | | | | | | | |
| 8 | 10 | 13.0 | 1.5 | 90 | 9.3 | 18.8 | SD40 |
| 15 | 10 | 13.0 | 1.5 | 110 | 8.2 | 19.9 | SD40 |
| 15 | 15 | 19.0 | 1.5 | 110 | 12.1 | 23.8 | SD42 |
| 20 | 20 | 23.0 | 1.5 | 119 | 16.0 | 30.3 | SD43 |
| 25 | 25 | 29.0 | 1.5 | 129 | 19.0 | 37.0 | SD44 |
| 40 | 32 | 35.0 | 1.5 | 161 | 27.6 | 52.4 | SD45 |
| 40 | 40 | 41.0 | 1.5 | 161 | 27.6 | 52.4 | SD46 |
| 50 | 50 | 53.0 | 1.5 | 192 | 35.5 | 68.3 | SD74 |
| 65 | 65 | 70.0 | 2.0 | 192 | 43.0 | 83.5 | SD48 |
| 80 | 65 | 70.0 | 2.0 | 250 | 51.0 | 98.1 | SD48 |
| 80 | 80 | 85.0 | 2.0 | 250 | 51.0 | 98.1 | SD49 |
| 100 ²⁾ | 100 | 104.0 | 2.0 | 295 | 63.5 | 127.0 | SD50 |

DTS 1000303513 EN Version: AA Status: RL (released | freigegeben | valide) printed: 26.03.2026

| Diaphragm size | Port connection DN | Ø D1 | s | L | h | H | Product key ¹⁾ |
|--------------------------------------|--------------------|-------|------|-----|------|-------|---------------------------|
| ASME BPE / DIN 11866 series C | | | | | | | |
| 8 | ¼" | 6.35 | 0.89 | 78 | 5.7 | 15.2 | SA90 |
| 8 | ⅜" | 9.53 | 0.89 | 89 | 5.7 | 15.2 | SA91 |
| 8 | ½" | 12.7 | 1.65 | 89 | 9.3 | 18.8 | SA92 |
| 15 | ½" | 12.7 | 1.65 | 108 | 8.2 | 19.9 | SA92 |
| 15 | ¾" | 19.05 | 1.65 | 108 | 12.1 | 23.8 | SA93 |
| 20 | ¾" | 19.05 | 1.65 | 117 | 16.0 | 30.3 | SA93 |
| 25 | 1" | 25.4 | 1.65 | 127 | 19.0 | 37.0 | SODF |
| 40 | 1½" | 38.1 | 1.65 | 159 | 27.6 | 52.4 | SODH |
| 50 | 2" | 50.8 | 1.65 | 190 | 35.5 | 68.3 | SODI |
| 50 | 2½" | 63.5 | 1.65 | 192 | 35.5 | 68.3 | SODJ |
| 65 | 2½" | 63.5 | 1.65 | 192 | 43.0 | 83.5 | SODJ |
| 80 | 2½" | 63.5 | 1.65 | 250 | 51.0 | 98.1 | SODJ |
| 80 | 3" | 76.2 | 1.65 | 250 | 51.0 | 98.1 | SODK |
| 100 ²⁾ | 4" | 101.6 | 2.11 | 295 | 63.5 | 127.0 | SODL |
| BS 4825 | | | | | | | |
| 8 | 8 | 6.35 | 1.2 | 78 | 5.7 | 15.2 | SODB |
| 8 | 10 | 9.53 | 1.2 | 89 | 5.7 | 15.2 | SODC |
| 8 | 15 | 12.7 | 1.2 | 90 | 9.3 | 18.8 | SODD |
| 15 | 15 | 12.7 | 1.2 | 108 | 8.2 | 19.9 | SODD |
| 20 | 20 | 19.05 | 1.2 | 117 | 16.0 | 30.3 | SODE |
| 25 | 25 | 25.4 | 1.65 | 127 | 19.0 | 37.0 | SODF |
| 40 | 40 | 38.1 | 1.65 | 159 | 27.6 | 52.4 | SODH |
| 50 | 50 | 50.8 | 1.65 | 190 | 35.5 | 68.3 | SODI |
| 50 | 65 | 63.5 | 1.65 | 192 | 35.5 | 68.6 | SODJ |
| 65 | 65 | 63.5 | 1.65 | 192 | 43.0 | 83.5 | SODJ |
| 80 | 80 | 63.5 | 1.65 | 250 | 51.0 | 98.1 | SODJ |
| 80 | 80 | 76.2 | 1.65 | 250 | 51.0 | 98.1 | SODK |
| 100 ²⁾ | 100 | 101.6 | 2.11 | 295 | 63.5 | 127.0 | SODL |
| SMS 3008 | | | | | | | |
| 25 | 25 | 25.0 | 1.2 | 129 | 19.0 | 37.0 | SA60 |
| 40 | 40 | 38.0 | 1.2 | 161 | 27.6 | 52.4 | SA62 |
| 50 | 50 | 51.0 | 1.2 | 192 | 35.5 | 68.3 | SA63 |
| 65 | 65 | 63.5 | 1.6 | 192 | 43.0 | 83.5 | SA64 |
| DIN 11850 - 0 | | | | | | | |
| 8 | 6 | 8.0 | 1.0 | 90 | 5.7 | 15.2 | SC41 |
| 8 | 8 | 10.0 | 1.0 | 90 | 5.7 | 15.2 | SC42 |
| 15 | 15 | 18.0 | 1.5 | 110 | 12.0 | 23.8 | SC43 |
| 20 | 20 | 22.0 | 1.5 | 119 | 16.0 | 30.3 | SC44 |
| 40 | 32 | 34.0 | 1.5 | 161 | 27.6 | 52.4 | SC46 |
| 40 | 40 | 40.0 | 1.5 | 161 | 27.6 | 52.4 | SC47 |
| 50 | 50 | 52.0 | 1.5 | 192 | 35.5 | 68.3 | SC48 |

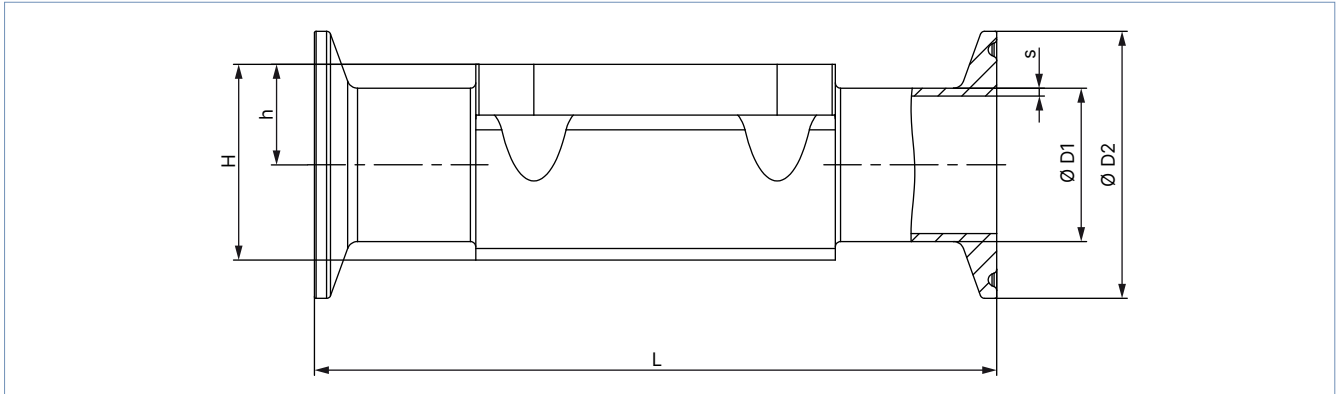
1.) This information is part of the product key (see "8.3. Bürkert Product Enquiry Form" on page 43).

2.) Only available as block material

4.3. Forged steel valve body (VS) with clamp connection

Note:

- Dimensions in mm, unless otherwise stated
- Further information on the draining angle can be found in the “Additional manual Type 2xxx 3xxx” on our website (see **operating instructions Type 3323** ▶).



| Diaphragm size | Port connection DN | Ø D1 | s | Ø D2 | L | h | H | Product key ¹⁾ | Variable code ¹⁾ |
|--------------------------------------|--------------------|-------|-----|-------|-----|------|-------|---------------------------|-----------------------------|
| DIN 32676 series B (ISO pipe) | | | | | | | | | |
| 8 | 8 | 13.5 | 1.6 | 25.0 | 90 | 9.3 | 18.8 | TC40 | – |
| 8 | 10 | 17.2 | 1.6 | 25.0 | 89 | 9.3 | 18.8 | TC53 | – |
| 15 | 8 | 13.5 | 1.6 | 25.0 | 89 | 8.2 | 19.9 | TC40 | – |
| 15 | 15 | 21.3 | 1.6 | 50.5 | 167 | 12.1 | 23.8 | TC52 | AF79 |
| 20 | 20 | 26.9 | 1.6 | 50.5 | 114 | 16.0 | 30.3 | TC43 | AF79+AG42 |
| 25 | 25 | 33.7 | 2.0 | 50.5 | 129 | 19.0 | 37.0 | TC44 | – |
| 40 | 40 | 48.3 | 2.0 | 64.0 | 161 | 27.6 | 52.4 | TC46 | – |
| 50 | 50 | 60.3 | 2.0 | 77.5 | 190 | 35.5 | 68.3 | TC47 | – |
| 65 | 65 | 76.1 | 2.0 | 91.0 | 190 | 35.5 | 68.3 | TC48 | – |
| 80 | 80 | 88.9 | 2.3 | 106.0 | 222 | 51.0 | 98.1 | TC49 | – |
| 100 ²⁾ | 100 | 114.3 | 2.3 | 130.0 | 350 | 63.5 | 127.0 | TC50 | – |
| DIN 32676 series A (DIN pipe) | | | | | | | | | |
| 8 | 6 | 8.0 | 1.0 | 25.0 | 89 | 5.7 | 15.2 | TD39 | – |
| 8 | 8 | 10.0 | 1.0 | 25.0 | 90 | 5.7 | 15.2 | TD40 | – |
| 8 | 10 | 13.0 | 1.5 | 34.0 | 126 | 9.3 | 18.8 | TD41 | AF79 |
| 15 | 10 | 13.0 | 1.5 | 34.0 | 110 | 8.2 | 19.9 | TD41 | – |
| 15 | 15 | 19.0 | 1.5 | 34.0 | 110 | 12.1 | 23.8 | TD42 | – |
| 20 | 20 | 23.0 | 1.5 | 34.0 | 119 | 16.0 | 30.3 | TD43 | – |
| 25 | 25 | 29.0 | 1.5 | 50.5 | 129 | 19.0 | 37.0 | TD44 | – |
| 40 | 40 | 41.0 | 1.5 | 50.5 | 161 | 27.6 | 52.4 | TD46 | – |
| 50 | 50 | 53.0 | 1.5 | 64.0 | 192 | 35.5 | 68.3 | TD47 | – |
| 65 | 65 | 70.0 | 2.0 | 91.0 | 248 | 43.0 | 83.5 | TD48 | – |
| 80 | 65 | 70.0 | 2.0 | 91.0 | 222 | 51.0 | 98.1 | TD48 | – |

DTS 1000303513 EN Version: AA Status: RL (released | freigegeben | valide) printed: 26.03.2026

| ASME BPE | | | | | | | | | |
|--------------------|-----|-------|------|-------|-------|------|-------|------|------|
| 8 | ¼" | 6.35 | 0.89 | 25.0 | 64.5 | 5.7 | 15.2 | TG50 | – |
| 8 | ⅜" | 9.53 | 0.89 | 25.0 | 89.0 | 5.7 | 15.2 | TG01 | AF34 |
| 8 | ½" | 12.7 | 1.65 | 25.0 | 64.0 | 9.3 | 18.8 | TG02 | – |
| 8 | ½" | 12.7 | 1.65 | 25.0 | 89.0 | 9.3 | 18.8 | TG02 | AF34 |
| 15 | ½" | 12.7 | 1.65 | 25.0 | 89.0 | 8.2 | 19.9 | TG02 | – |
| 15 | ½" | 12.7 | 1.65 | 25.0 | 108.0 | 8.2 | 19.9 | TG02 | AF34 |
| 15 | ¾" | 19.05 | 1.65 | 25.0 | 89.0 | 12.1 | 23.8 | TG03 | – |
| 20 | ¾" | 19.05 | 1.65 | 25.0 | 102.0 | 16.0 | 30.3 | TG03 | – |
| 20 | ¾" | 19.05 | 1.65 | 25.0 | 117.0 | 16.0 | 30.3 | TG03 | AF34 |
| 25 | 1" | 25.4 | 1.65 | 50.5 | 114.0 | 19.0 | 37.0 | TG04 | – |
| 25 | 1" | 25.4 | 1.65 | 50.5 | 127.0 | 19.0 | 37.0 | TG04 | AF34 |
| 40 | 1½" | 38.1 | 1.65 | 50.5 | 140.0 | 27.6 | 52.4 | TG05 | – |
| 40 | 1½" | 38.1 | 1.65 | 50.5 | 159.0 | 27.6 | 52.4 | TG05 | AF34 |
| 50 | 2" | 50.8 | 1.65 | 64.0 | 159.0 | 35.5 | 68.3 | TG06 | – |
| 50 | 2" | 50.8 | 1.65 | 64.0 | 190.0 | 35.5 | 68.3 | TG06 | AF34 |
| 65 | 2½" | 63.5 | 1.65 | 77.5 | 249.0 | 43.0 | 83.5 | TG07 | – |
| 80 | 2½" | 63.5 | 1.65 | 77.5 | 216.0 | 51.0 | 98.1 | TG07 | – |
| 80 | 3" | 76.2 | 1.65 | 91.0 | 222.0 | 51.0 | 98.1 | TG08 | – |
| 100 ^{2.)} | 4" | 101.6 | 2.11 | 119.0 | 306.0 | 63.5 | 127.0 | TG09 | – |

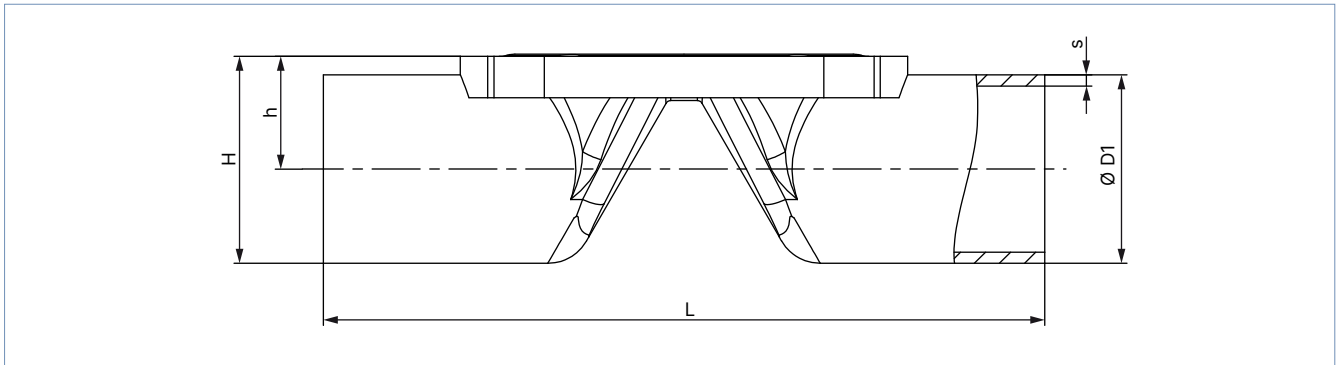
1.) This information is part of the product key (see "8.3. Bürkert Product Enquiry Form" on page 43).

2.) Only available as block material

4.4. Tube valve body (VP) with welded connection

Note:

- Dimensions in mm, unless otherwise stated
- Further information on the draining angle can be found in the “Additional manual Type 2xxx 3xxx” on our website (see **operating instructions Type 3323** ▶).



| Diaphragm size | Port connection DN | Ø D1 | s | L | h | H | Product key ¹⁾ |
|---|--------------------|-------|------|-----|------|-------|---------------------------|
| DIN EN ISO 1127 / ISO 4200 / DIN 11866 series B | | | | | | | |
| 8 | 8 | 13.5 | 1.6 | 90 | 9.5 | 16.2 | SA40 |
| 8 | 10 | 17.2 | 1.6 | 90 | 11.3 | 19.9 | SA41 |
| 15 | 15 | 21.3 | 1.6 | 110 | 14.0 | 24.6 | SA42 |
| 20 | 20 | 26.9 | 1.6 | 119 | 16.8 | 30.2 | SA43 |
| 25 | 25 | 33.7 | 2.0 | 129 | 20.2 | 37.0 | SA44 |
| 32 | 32 | 42.4 | 2.0 | 148 | 24.7 | 45.9 | SA45 |
| 40 | 40 | 48.3 | 2.0 | 161 | 29.0 | 53.1 | SA46 |
| 50 | 50 | 60.3 | 2.0 | 192 | 35.0 | 65.1 | SA47 |
| DIN 11850 - 2 / DIN 11866 series A / DIN EN 10357 series A | | | | | | | |
| 8 | 10 | 13.0 | 1.5 | 90 | 9.5 | 16.0 | SD40 |
| 15 | 15 | 19.0 | 1.5 | 110 | 12.8 | 22.3 | SD42 |
| 15 | 20 | 23.0 | 1.5 | 119 | 14.8 | 26.3 | SD43 |
| 20 | 25 | 29.0 | 1.5 | 129 | 17.8 | 32.3 | SD44 |
| 25 | 32 | 35.0 | 1.5 | 148 | 20.8 | 38.3 | SD45 |
| 32 | 40 | 41.0 | 1.5 | 161 | 24.0 | 44.5 | SD46 |
| 40 | 50 | 53.0 | 1.5 | 192 | 31.3 | 57.8 | SD47 |
| ASME BPE / DIN 11866 series C | | | | | | | |
| 8 | ½" | 12.7 | 1.65 | 90 | 9.1 | 15.4 | SA92 |
| 15 | ¾" | 19.05 | 1.65 | 117 | 12.8 | 22.4 | SA93 |
| 20 | 1" | 25.4 | 1.65 | 127 | 16.0 | 28.7 | SODF |
| 32 | 1½" | 38.1 | 1.65 | 159 | 22.6 | 41.6 | SODH |
| 40 | 2" | 50.8 | 1.65 | 190 | 30.2 | 55.6 | SODI |
| 50 | 2½" | 63.5 | 1.65 | 192 | 36.8 | 68.5 | SODJ |
| 65 | 3" | 76.2 | 1.65 | 250 | 46.3 | 84.4 | SODK |
| 80 | 4" | 101.6 | 2.11 | 295 | 60.0 | 110.8 | SODL |

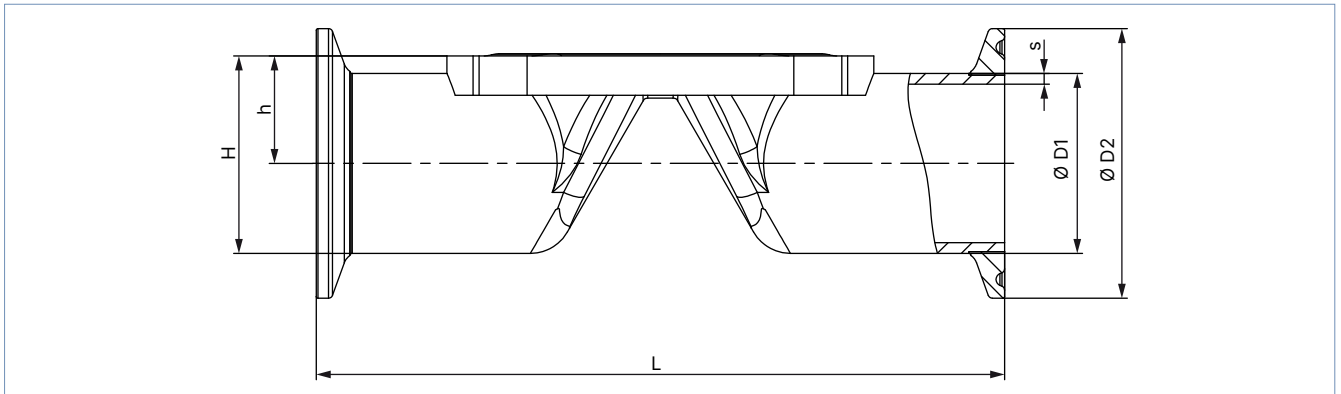
1.) This information is part of the product key (see "8.3. Bürkert Product Enquiry Form" on page 43).

DTS 1000303513 EN Version: AA Status: RL (released | freigegeben | valide) printed: 26.03.2026

4.5. Tube valve body (VP) with clamp connection

Note:

- Dimensions in mm, unless otherwise stated
- Further information on the draining angle can be found in the “Additional manual Type 2xxx 3xxx” on our website (see **operating instructions Type 3323** ▶).



| Diaphragm size | Port connection DN | Ø D1 | s | Ø D2 | L | h | H | Product key ^{1.)} |
|--------------------------------------|--------------------|-------|------|------|-----|------|------|----------------------------|
| DIN 32676 series B (ISO pipe) | | | | | | | | |
| 8 | 8 | 13.5 | 1.6 | 25.0 | 89 | 9.5 | 16.2 | TC40 |
| 8 | 10 | 17.2 | 1.6 | 25.0 | 89 | 11.3 | 19.9 | TC53 |
| 15 | 15 | 21.3 | 1.6 | 50.5 | 110 | 14.0 | 24.6 | TC52 |
| 20 | 20 | 26.9 | 1.6 | 50.5 | 119 | 16.8 | 30.2 | TC43 |
| 25 | 25 | 33.7 | 2.0 | 50.5 | 129 | 20.2 | 37.0 | TC44 |
| 32 | 32 | 42.4 | 2.0 | 64.0 | 148 | 24.7 | 45.9 | TC55 |
| 40 | 40 | 48.3 | 2.0 | 64.0 | 161 | 29.0 | 53.1 | TC46 |
| 50 | 50 | 60.3 | 2.0 | 77.5 | 192 | 35.0 | 65.1 | TC47 |
| DIN 32676 series A (DIN pipe) | | | | | | | | |
| 8 | 10 | 13.0 | 1.5 | 34.0 | 89 | 9.5 | 16.0 | TD41 |
| 15 | 15 | 19.0 | 1.5 | 34.0 | 110 | 12.8 | 22.3 | TD42 |
| 15 | 20 | 23.0 | 1.5 | 34.0 | 119 | 14.8 | 26.3 | TD43 |
| 20 | 25 | 29.0 | 1.5 | 50.5 | 129 | 17.8 | 32.3 | TD44 |
| 25 | 32 | 35.0 | 1.5 | 50.5 | 148 | 20.8 | 38.3 | TD45 |
| 32 | 40 | 41.0 | 1.5 | 50.5 | 161 | 24.0 | 44.5 | TD46 |
| 40 | 50 | 53.0 | 1.5 | 64.0 | 192 | 31.3 | 57.8 | TD47 |
| ASME BPE | | | | | | | | |
| 8 | ½" | 12.7 | 1.65 | 25.0 | 89 | 9.1 | 15.4 | TG02 |
| 15 | ¾" | 19.05 | 1.65 | 25.0 | 102 | 12.8 | 22.4 | TG03 |
| 20 | 1" | 25.4 | 1.65 | 50.5 | 114 | 16.0 | 28.7 | TG04 |
| 32 | 1½" | 38.1 | 1.65 | 50.5 | 140 | 22.6 | 41.6 | TG05 |
| 40 | 2" | 50.8 | 1.65 | 64.0 | 159 | 30.2 | 55.6 | TG06 |
| 50 | 2½" | 63.5 | 1.65 | 77.5 | 190 | 36.8 | 68.5 | TG07 |

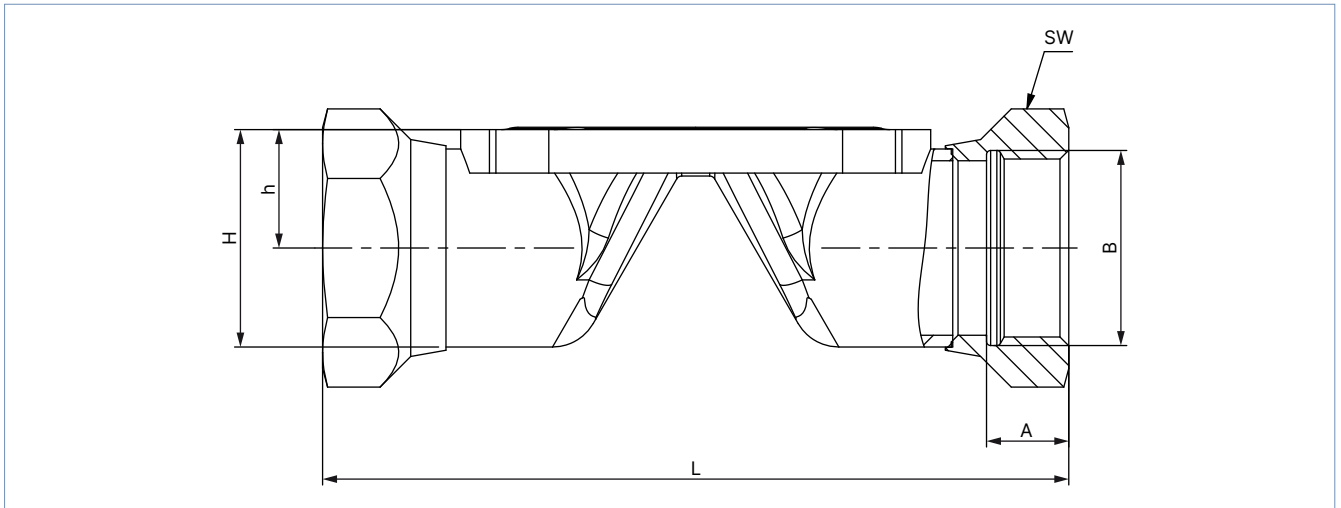
1.) This information is part of the product key (see "8.3. Bürkert Product Enquiry Form" on page 43).

DTS 1000303513 EN Version: AA Status: RL (released | freigegeben | valide) printed: 26.03.2026

4.6. Tube valve body (VP) with threaded connection

Note:

- Dimensions in mm, unless otherwise stated
- Further information on the draining angle can be found in the “Additional manual Type 2xxx 3xxx” on our website (see **operating instructions Type 3323** ▶).



| Diaphragm size | L | A | B | h | H | Socket width across flats | Product key ¹⁾ |
|----------------|-----|------|--------|------|------|---------------------------|---------------------------|
| 8 | 85 | 8.0 | G ¼ | 9.5 | 16.2 | 17 | GM82 |
| 15 | 102 | 14.0 | G ½ | 14.0 | 24.6 | 27 | GM84 |
| 20 | 118 | 12.0 | G ¾ | 16.8 | 30.2 | 32 | GM85 |
| 25 | 127 | 14.0 | G 1 | 20.2 | 37.0 | 41 | GM86 |
| 32 | 146 | 16.0 | G 1¼ | 24.7 | 45.9 | 50 | GM87 |
| 40 | 159 | 18.0 | G 1½ | 29.0 | 53.1 | 60 | GM88 |
| 50 | 191 | 20.0 | G 2 | 35.0 | 65.1 | 70 | GM89 |
| Diaphragm size | L | A | B | h | H | Socket width across flats | Product key ¹⁾ |
| 8 | 58 | 9.7 | RC ¼ | 9.5 | 16.2 | 17 | RC82 |
| 15 | 102 | 13.2 | RC ½ | 14.0 | 24.6 | 27 | RC84 |
| 20 | 118 | 14.5 | RC ¾ | 16.8 | 30.2 | 32 | RC85 |
| 25 | 127 | 16.8 | RC 1 | 20.2 | 37.0 | 41 | RC86 |
| 32 | 146 | 19.1 | RC 1¼ | 24.7 | 45.9 | 50 | RC87 |
| 40 | 159 | 19.1 | RC 1½ | 29.0 | 53.1 | 60 | RC88 |
| 50 | 191 | 23.4 | RC 2 | 35.0 | 65.1 | 70 | RC89 |
| Diaphragm size | L | A | B | h | H | Socket width across flats | Product key ¹⁾ |
| 8 | 85 | 10.0 | NPT ¼ | 9.5 | 16.2 | 17 | NM82 |
| 15 | 102 | 13.7 | NPT ½ | 14.0 | 24.6 | 27 | NM84 |
| 20 | 118 | 14.0 | NPT ¾ | 16.8 | 30.2 | 32 | NM85 |
| 25 | 127 | 16.8 | NPT 1 | 20.2 | 37.0 | 41 | NM86 |
| 32 | 146 | 17.3 | NPT 1¼ | 24.7 | 45.9 | 50 | NM87 |
| 40 | 159 | 17.3 | NPT 1½ | 29.0 | 53.1 | 60 | NM88 |
| 50 | 191 | 17.6 | NPT 2 | 35.0 | 65.1 | 70 | NM89 |

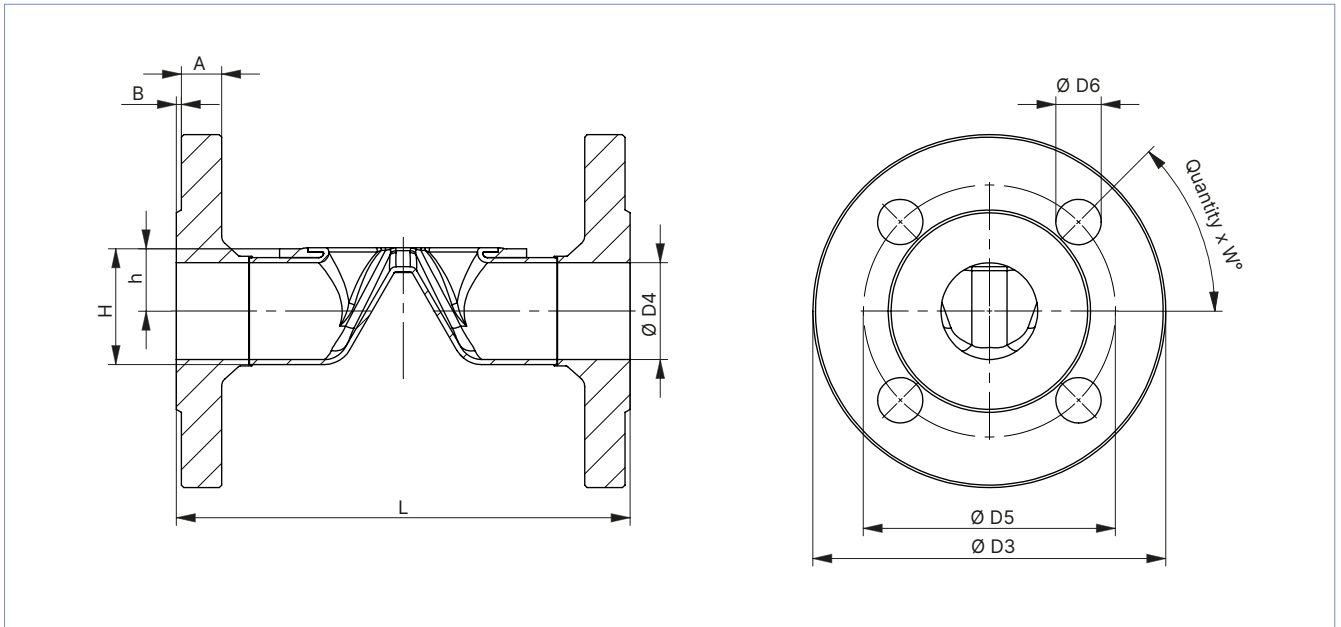
1.) This information is part of the product key (see “8.3. Bürkert Product Enquiry Form” on page 43).

DTS 1000303513 EN Version: AA Status: RL (released | freigegeben | valide) printed: 26.03.2026

4.7. Tube valve body (VP) with flange connection

Note:

- Dimensions in mm, unless otherwise stated
- Further information on the draining angle can be found in the “Additional manual Type 2xxx 3xxx” on our website (see **operating instructions Type 3323** ▶).



| Diaphragm size | L4 | L3 | s | ØD9 | ØD6 | ØD7 | a° | ØDB | A | B | X | Product key ¹⁾ |
|------------------------|-------|-----|-----|------|-----|-------|----|------|------|-----|---|---------------------------|
| DIN EN 1092 - 1 | | | | | | | | | | | | |
| 15 | 76.5 | 130 | 1.6 | 21.3 | 95 | 65 | 90 | 14 | 16 | 2 | 4 | FD22 |
| 20 | 92.5 | 150 | 1.6 | 26.9 | 105 | 75 | 90 | 14 | 18 | 2 | 4 | FD23 |
| 25 | 102.5 | 160 | 2.0 | 33.7 | 115 | 85 | 90 | 14 | 18 | 2 | 4 | FD24 |
| 32 | 122.5 | 180 | 2.0 | 42.4 | 140 | 100 | 90 | 18 | 18 | 2 | 4 | FD25 |
| 40 | 136.5 | 200 | 2.0 | 48.3 | 150 | 110 | 90 | 18 | 18 | 3 | 4 | FD26 |
| 50 | 160.5 | 230 | 2.0 | 60.3 | 165 | 125 | 90 | 18 | 20 | 3 | 4 | FD27 |
| ANSI B16.5 | | | | | | | | | | | | |
| 15 | 67.0 | 130 | 1.6 | 21.3 | 89 | 60.5 | 90 | 15.7 | 11.2 | 1.6 | 4 | FA02 |
| 25 | 106.0 | 160 | 2.0 | 33.7 | 108 | 79.2 | 90 | 15.7 | 14.2 | 1.6 | 4 | FA04 |
| 40 | 128.0 | 200 | 2.0 | 48.3 | 127 | 98.6 | 90 | 15.7 | 17.5 | 1.6 | 4 | FA06 |
| 50 | 151.0 | 230 | 2.0 | 60.3 | 152 | 120.7 | 90 | 19.1 | 19.1 | 1.6 | 4 | FA07 |
| JIS 10K | | | | | | | | | | | | |
| 15 | 89 | 130 | 1.6 | 21.3 | 95 | 70 | 90 | 15 | 12 | 1 | 4 | FJ01 |
| 20 | 103 | 150 | 1.6 | 26.9 | 100 | 75 | 90 | 15 | 14 | 1 | 4 | FJ02 |
| 25 | 116 | 160 | 2.0 | 33.7 | 125 | 90 | 90 | 19 | 14 | 1 | 4 | FJ03 |
| 40 | 147 | 200 | 2.0 | 48.3 | 140 | 105 | 90 | 19 | 16 | 2 | 4 | FJ05 |
| 50 | 175 | 230 | 2.0 | 60.3 | 155 | 120 | 90 | 19 | 16 | 2 | 4 | FJ06 |

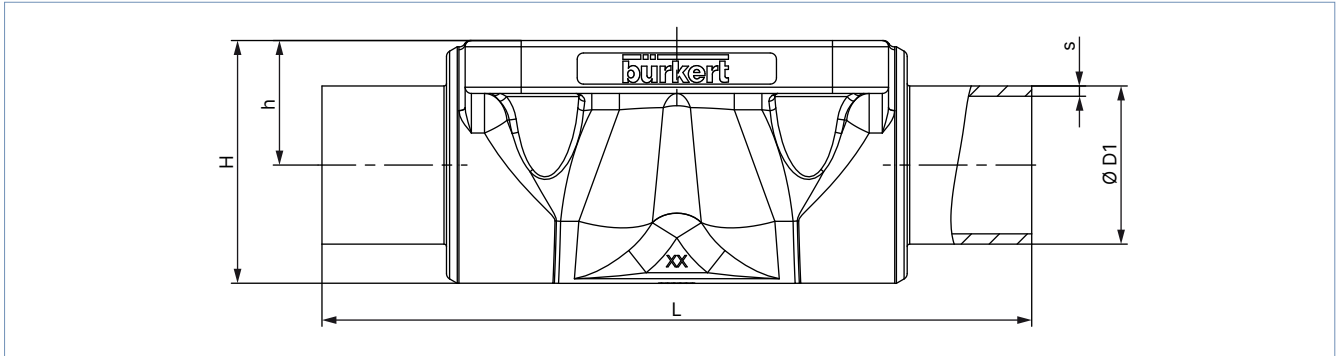
1.) This information is part of the product key (see “8.3. Bürkert Product Enquiry Form” on page 43).

DTS 1000303513 EN Version: AA Status: RL (released | freigegeben | valide) printed: 26.03.2026

4.8. Cast valve body (VG) with welded connection

Note:

- Dimensions in mm, unless otherwise stated
- Further information on the draining angle can be found in the “Additional manual Type 2xxx 3xxx” on our website (see **operating instructions Type 3323** ▶).



| Diaphragm size | Port connection DN | Ø D1 | s | L | h | H | Product key ¹⁾ |
|---|--------------------|-------|------|------|------|-------|---------------------------|
| DIN EN ISO 1127 / ISO 4200 / DIN 11866 series B | | | | | | | |
| 8 | 8 | 13.5 | 1.6 | 90 | 9.6 | 18.5 | SA40 |
| 8 | 10 | 17.2 | 1.6 | 90 | 9.6 | 18.6 | SA41 |
| 15 | 15 | 21.3 | 1.6 | 110 | 13.5 | 25.0 | SA42 |
| 20 | 15 | 21.3 | 1.6 | 119 | 18.0 | 32.9 | SA42 |
| 20 | 20 | 26.9 | 1.6 | 119 | 18.0 | 32.7 | SA43 |
| 25 | 25 | 33.7 | 2.0 | 129 | 20.0 | 39.0 | SA44 |
| 40 | 32 | 42.4 | 2.0 | 161 | 28.6 | 55.0 | SA45 |
| 40 | 40 | 48.3 | 2.0 | 161 | 28.6 | 55.0 | SA46 |
| 50 | 50 | 60.3 | 2.0 | 192 | 35.5 | 68.0 | SA47 |
| 65 | 65 | 76.1 | 2.0 | 192 | 43.0 | 82.0 | SA48 |
| 80 | 80 | 76.1 | 2.0 | 250 | 51.0 | 101.0 | SA48 |
| 80 | 80 | 88.9 | 2.3 | 250 | 51.0 | 101.0 | SA49 |
| 100 | 100 | 114.3 | 2.3 | 295 | 63.5 | 123.5 | SA39 |
| DIN 11850 - 2 / DIN 11866 series A / DIN EN 10357 series A | | | | | | | |
| 8 | 10 | 13 | 1.5 | 90 | 9.6 | 18.6 | SD40 |
| 15 | 15 | 19 | 1.5 | 110 | 13.5 | 25.0 | SD42 |
| 20 | 20 | 23 | 1.5 | 119 | 18.0 | 32.8 | SD43 |
| 25 | 25 | 29 | 1.5 | 129 | 20.0 | 39.0 | SD44 |
| 40 | 40 | 41 | 1.5 | 161 | 28.6 | 55.0 | SD46 |
| 50 | 50 | 53 | 1.5 | 192 | 35.5 | 68.0 | SD47 |
| 65 | 65 | 70 | 2.0 | 192 | 43.0 | 82.0 | SD48 |
| 80 | 80 | 85 | 2.0 | 250 | 51.0 | 101.0 | SD49 |
| 100 | 100 | 104 | 2.0 | 295 | 63.5 | 123.5 | SD50 |
| ASME BPE / DIN 11866 series C | | | | | | | |
| 8 | ¼" | 6.35 | 0.89 | 64.5 | 9.6 | 18.6 | SA90 |
| 8 | ⅜" | 9.53 | 0.89 | 89 | 9.6 | 18.6 | SA91 |
| 8 | ½" | 12.7 | 1.65 | 89 | 9.6 | 18.6 | SA92 |
| 15 | ¾" | 19.05 | 1.65 | 102 | 13.5 | 25.0 | SA93 |
| 20 | ¾" | 19.05 | 1.65 | 119 | 18.0 | 32.8 | SA93 |
| 20 | 1" | 25.4 | 1.65 | 119 | 18.0 | 32.7 | SODF |
| 25 | 1" | 25.4 | 1.65 | 114 | 20.0 | 39.0 | SODF |
| 40 | 1½" | 38.1 | 1.65 | 140 | 28.6 | 55.0 | SODH |
| 50 | 2" | 50.8 | 1.65 | 159 | 35.5 | 68.0 | SODI |
| 50 | 2½" | 63.5 | 1.65 | 192 | 35.5 | 68.0 | SODJ |
| 65 | 2½" | 63.5 | 1.65 | 192 | 43.0 | 82.0 | SODJ |
| 80 | 3" | 76.2 | 1.65 | 250 | 51.0 | 101.0 | SODK |
| 100 | 4" | 101.6 | 2.11 | 295 | 63.5 | 123.5 | SODL |

DTS 1000303513 EN Version: AA Status: RL (released | freigegeben | valide) printed: 26.03.2026

| Diaphragm size | Port connection DN | Ø D1 | s | L | h | H | Product key ¹⁾ |
|----------------------|--------------------|-------|------|------|------|-------|---------------------------|
| BS 4825 | | | | | | | |
| 8 | 8 | 6.35 | 1.2 | 64.5 | 9.6 | 18.6 | SODB |
| 8 | 10 | 9.53 | 1.2 | 89 | 9.6 | 18.6 | SODC |
| 8 | 15 | 12.7 | 1.2 | 89 | 9.6 | 18.6 | SODD |
| 15 | 20 | 19.05 | 1.2 | 102 | 14.0 | 25.5 | SODE |
| 20 | 25 | 25.4 | 1.65 | 119 | 18.0 | 32.8 | SODF |
| 25 | 25 | 25.4 | 1.65 | 114 | 20.0 | 39.0 | SODF |
| 40 | 40 | 38.1 | 1.65 | 140 | 28.6 | 55.0 | SODH |
| 50 | 50 | 50.8 | 1.65 | 159 | 35.5 | 68.0 | SODI |
| 50 | 65 | 63.5 | 1.65 | 192 | 35.5 | 68.0 | SODJ |
| 65 | 65 | 63.5 | 1.65 | 192 | 43.0 | 82.0 | SODJ |
| 80 | 80 | 76.2 | 1.65 | 250 | 51.0 | 101.0 | SODK |
| 100 | 100 | 101.6 | 2.11 | 295 | 63.5 | 123.5 | SODL |
| SMS 3008 | | | | | | | |
| 20 | 25 | 25 | 1.2 | 119 | 18.0 | 32.8 | SA60 |
| 25 | 25 | 25 | 1.2 | 129 | 20.0 | 39.0 | SA60 |
| 40 | 40 | 38 | 1.2 | 161 | 28.6 | 55.0 | SA62 |
| 50 | 50 | 51 | 1.2 | 192 | 35.5 | 68.0 | SA63 |
| DIN 11850 - 0 | | | | | | | |
| 8 | 4 | 6 | 1.0 | 90 | 9.6 | 18.6 | SC40 |
| 8 | 6 | 8 | 1.0 | 90 | 9.6 | 18.6 | SC41 |
| 8 | 8 | 10 | 1.0 | 90 | 9.6 | 18.6 | SC42 |
| 15 | 15 | 18 | 1.5 | 110 | 13.5 | 25.0 | SC43 |
| 20 | 20 | 22 | 1.5 | 119 | 18.0 | 32.8 | SC44 |
| 25 | 25 | 28 | 1.5 | 129 | 20.0 | 39.0 | SC45 |
| 25 | 32 | 34 | 1.5 | 129 | 20.0 | 39.0 | SC46 |
| 40 | 40 | 40 | 1.5 | 161 | 28.6 | 56.0 | SC47 |
| 50 | 50 | 52 | 1.5 | 192 | 35.5 | 68.0 | SC48 |

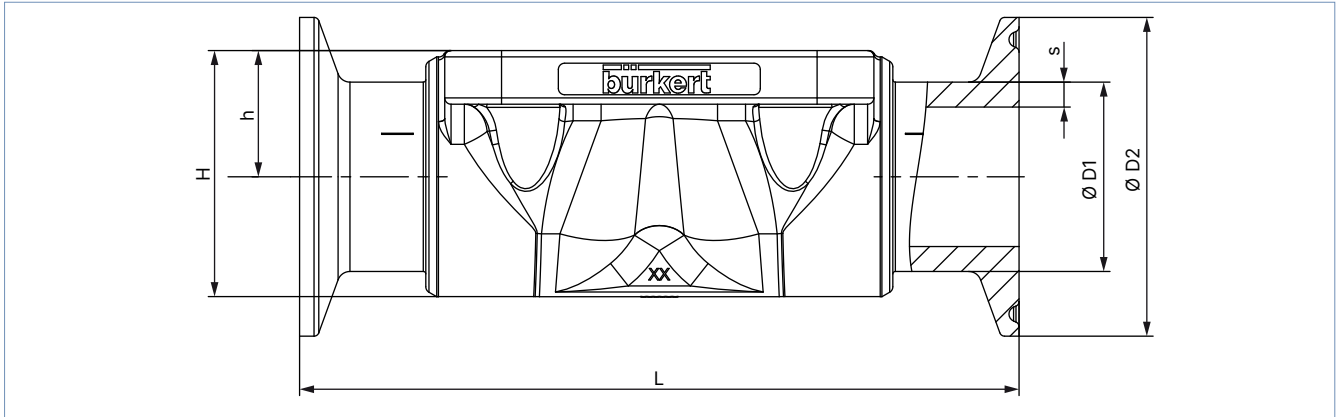
1.) This information is part of the product key (see "8.3. Bürkert Product Enquiry Form" on page 43).

DTS 1000303513 EN Version: AA Status: RL (released | freigegeben | valide) printed: 26.03.2026

4.9. Cast valve body (VG) with clamp connection

Note:

- Dimensions in mm, unless otherwise stated
- Further information on the draining angle can be found in the “Additional manual Type 2xxx 3xxx” on our website (see **operating instructions Type 3323** ▶).



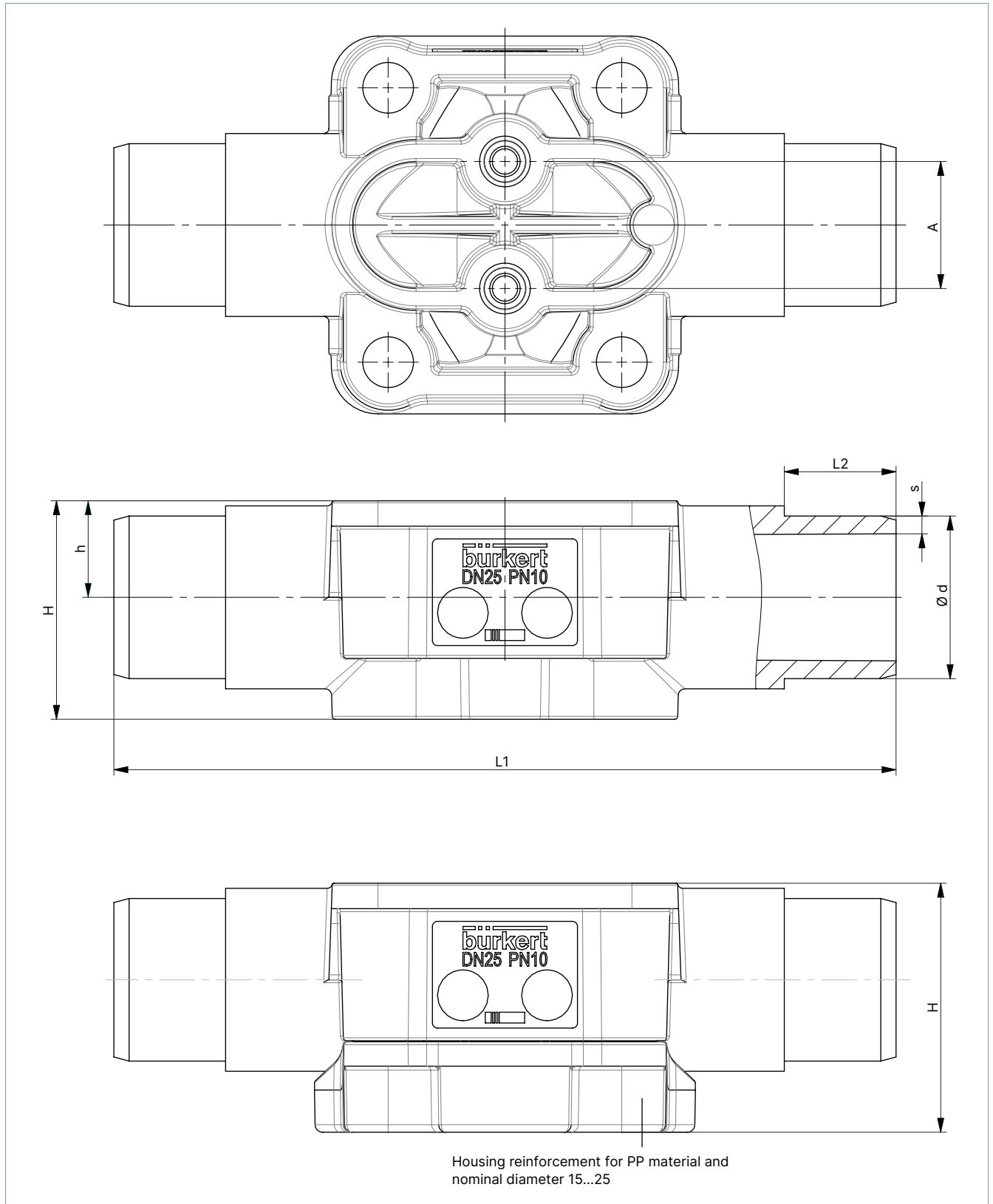
| Diaphragm size | Port connection DN | Ø D1 | s | Ø D2 | L | h | H | Product key ¹⁾ |
|--|--------------------|-------|------|-------|-----|------|-------|---------------------------|
| DIN 32676 series B (ISO pipe) | | | | | | | | |
| 25 | 25 | 33.7 | 2 | 50.5 | 129 | 20.0 | 39.0 | TC44 |
| 40 | 40 | 48.3 | 2 | 64.0 | 161 | 28.6 | 55.0 | TC46 |
| 50 | 50 | 60.3 | 2 | 77.5 | 192 | 35.5 | 68.0 | TC47 |
| DIN 32676 series A (DIN pipe) | | | | | | | | |
| 15 | 15 | 19 | 1.5 | 34.0 | 110 | 13.5 | 25.0 | TD42 |
| 20 | 20 | 23 | 1.5 | 34.0 | 119 | 18.0 | 32.8 | TD43 |
| 25 | 25 | 29 | 1.5 | 50.5 | 129 | 20.0 | 39.0 | TD44 |
| 40 | 40 | 41 | 1.5 | 50.5 | 161 | 28.6 | 55.0 | TD46 |
| 50 | 50 | 53 | 1.65 | 64.0 | 192 | 35.5 | 68.0 | TD47 |
| ASME BPE | | | | | | | | |
| 8 | 3/8" | 9.53 | 0.89 | 25.0 | 89 | 9.6 | 18.6 | TG01 |
| 8 | 1/2" | 12.7 | 1.65 | 25.0 | 89 | 9.6 | 18.6 | TG02 |
| 15 | 3/4" | 19.05 | 1.65 | 25.0 | 102 | 13.5 | 23.0 | TG03 |
| 20 | 3/4" | 19.05 | 1.65 | 25.0 | 117 | 18.0 | 25.0 | TG03 |
| 25 | 1" | 25.4 | 1.65 | 50.5 | 114 | 18.0 | 40.0 | TG04 |
| 40 | 1 1/2" | 38.1 | 1.65 | 50.5 | 140 | 28.6 | 55.0 | TG05 |
| 50 | 2" | 50.8 | 1.65 | 64.0 | 159 | 35.5 | 68.0 | TG06 |
| 50 | 2 1/2" | 63.5 | 1.65 | 77.5 | 190 | 35.5 | 68.0 | TG07 |
| 65 | 2 1/2" | 63.5 | 1.65 | 77.5 | 249 | 43.0 | 82.0 | TG07 |
| 80 | 3" | 76.2 | 1.65 | 91.0 | 306 | 51.0 | 101.0 | TG08 |
| 100 | 4" | 101.6 | 2.11 | 119.0 | 352 | 63.5 | 123.5 | TG09 |
| BS 4825: Clamp BS 4825 - 3 / pipe BS 4825 - 1 | | | | | | | | |
| 8 | 15 | 12.7 | 1.2 | 25.0 | 89 | 9.6 | 18.9 | TH42 |
| 15 | 20 | 19.05 | 1.2 | 25.0 | 102 | 13.5 | 25.0 | TH43 |
| 25 | 25 | 25.4 | 1.65 | 50.5 | 114 | 20.0 | 39.0 | TG04 |
| 40 | 40 | 38.1 | 1.65 | 50.5 | 140 | 28.6 | 55.0 | TG05 |
| 50 | 50 | 50.8 | 1.65 | 64.0 | 159 | 35.5 | 68.0 | TG06 |
| 50 | 65 | 63.5 | 1.65 | 77.5 | 190 | 35.5 | 68.0 | TG07 |
| Clamp 34.0 similar to DIN 32676 series B (ISO pipe) | | | | | | | | |
| 15 | 15 | 21.3 | 1.6 | 34 | 110 | 13.5 | 25.0 | TC42 |

1.) This information is part of the product key (see “8.3. Bürkert Product Enquiry Form” on page 43).

4.10. Plastic valve body (PV, PP, PD) with spigot connection

Note:

- Dimensions in mm. unless otherwise stated
- The specified values refer to the new plastic valve body. The previous bodies (REV1) may differ slightly from the new dimensions.



DTS 1000303513 EN Version: AA Status: RL (released | freigegeben | valide) printed: 26.03.2026

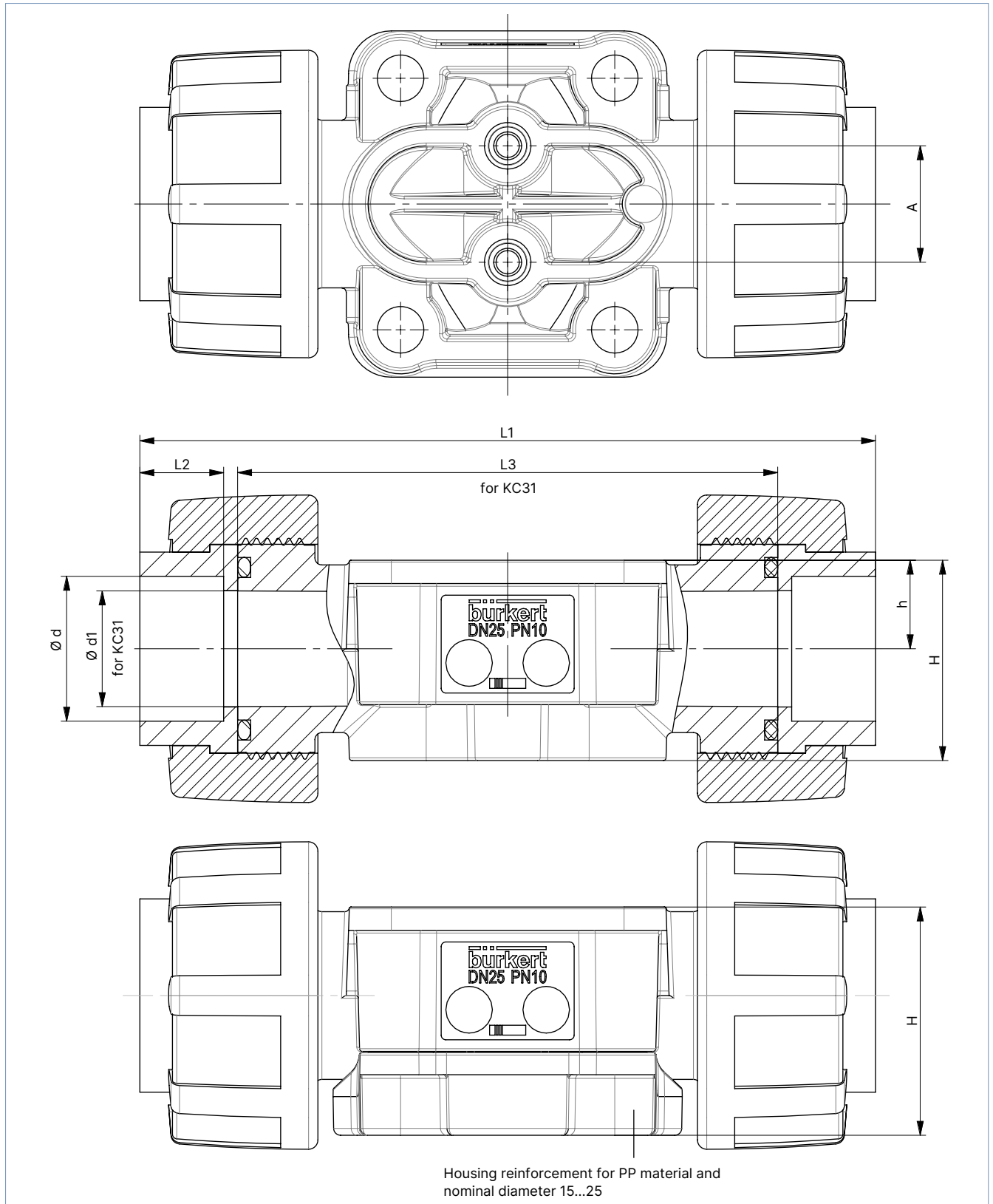
| Diaphragm size | A | L1 | L2 | Ø d | s | h | H | Product key ¹⁾ |
|-------------------|----|-----|----|-----|-----|------|------|---------------------------|
| PP (PP) | | | | | | | | |
| 15 | 25 | 124 | 16 | 20 | 2.5 | 12 | 33 | SS25 |
| 20 | 25 | 144 | 19 | 25 | 2.5 | 17 | 42 | SS26 |
| 25 | 25 | 154 | 22 | 32 | 3.5 | 19 | 49 | SS27 |
| 32 | 45 | 174 | 26 | 40 | 4 | 25 | 52.5 | SS28 |
| 40 | 45 | 194 | 31 | 50 | 5 | 28.6 | 65.5 | SS29 |
| 50 | 45 | 224 | 44 | 63 | 6.5 | 35.5 | 79 | SS30 |
| PVDF (PD) | | | | | | | | |
| 15 | 25 | 124 | 16 | 20 | 2.5 | 12 | 29 | SS25 |
| 20 | 25 | 144 | 19 | 25 | 2.5 | 17 | 36 | SS26 |
| 25 | 25 | 154 | 22 | 32 | 3.5 | 19 | 43 | SS27 |
| 32 | 45 | 174 | 26 | 40 | 4 | 25 | 52.5 | SS28 |
| 40 | 45 | 194 | 31 | 50 | 5 | 28.6 | 65.5 | SS29 |
| 50 | 45 | 224 | 44 | 63 | 6.5 | 35.5 | 79 | SS30 |
| PVC-U (PV) | | | | | | | | |
| 15 | 25 | 124 | 16 | 20 | 2.5 | 12 | 29 | KS25 |
| 20 | 25 | 144 | 19 | 25 | 2.5 | 17 | 36 | KS26 |
| 25 | 25 | 154 | 22 | 32 | 3.5 | 19 | 43 | KS27 |
| 32 | 45 | 174 | 26 | 40 | 4 | 25 | 52.5 | KS28 |
| 40 | 45 | 194 | 31 | 50 | 5 | 28.6 | 65.5 | KS29 |
| 50 | 45 | 224 | 44 | 63 | 6.5 | 35.5 | 79 | KS30 |

1.) This information is part of the product key (see "8.3. Bürkert Product Enquiry Form" on page 43).

4.11. Plastic valve body (PW, PV, PP, PD) with true union

Note:

- Dimensions in mm. unless otherwise stated
- The specified values refer to the new plastic valve body. The previous bodies (REV1) may differ slightly from the new dimensions.



DTS 1000303513 EN Version: AA Status: RL (released | freigegeben | valide) printed: 26.03.2026

| Diaphragm size | A | L1 | L2 | L3 | Ø d | Ø d1 | h | H | Product key ¹⁾ | Variable code |
|------------------|----|-----|------|-----|------|------|------|------|---------------------------|---|
| PP (PP) | | | | | | | | | | |
| 15 | 25 | 125 | 14.5 | – | 19.2 | – | 12 | 33 | SM25 | – |
| 20 | 25 | 146 | 16 | – | 24.2 | – | 17 | 42 | SM26 | |
| 25 | 25 | 158 | 18 | – | 31.1 | – | 19 | 49 | SM27 | |
| 32 | 45 | 181 | 20.5 | – | 39 | – | 25 | 52.5 | SM28 | |
| 40 | 45 | 207 | 23.5 | – | 48.9 | – | 28.6 | 65.5 | SM29 | |
| 50 | 45 | 245 | 27.5 | – | 61.6 | – | 35.5 | 79 | SM30 | |
| 15 | 25 | – | – | 90 | – | 14.9 | 12 | 33 | SM25 | KC31 port connection without insert, O-ring and union nut |
| 20 | 25 | – | – | 108 | – | 19.9 | 17 | 42 | SM26 | |
| 25 | 25 | – | – | 116 | – | 24.9 | 19 | 49 | SM27 | |
| 32 | 45 | – | – | 134 | – | 31.9 | 25 | 52.5 | SM28 | |
| 40 | 45 | – | – | 154 | – | 39.9 | 28.6 | 65.5 | SM29 | |
| 50 | 45 | – | – | 184 | – | 49.9 | 35.5 | 79 | SM30 | |
| 15 | 25 | 132 | 18 | – | 20 | – | 12 | 33 | KM25 | Optionally available with variable code KC93 insert made of PVC-C |
| 20 | 25 | 156 | 21 | – | 25 | – | 17 | 42 | KM26 | |
| 25 | 25 | 170 | 24 | – | 32 | – | 19 | 49 | KM27 | |
| 32 | 45 | 196 | 28 | – | 40 | – | 25 | 52.5 | KM28 | |
| 40 | 45 | 222 | 31 | – | 50 | – | 28.6 | 65.5 | KM29 | |
| 50 | 45 | 266 | 38 | – | 63 | – | 35.5 | 79 | KM30 | |
| PVDF (PD) | | | | | | | | | | |
| 15 | 25 | 125 | 14.5 | – | 19.2 | – | 12 | 29 | SM25 | – |
| 20 | 25 | 146 | 16 | – | 24.2 | – | 17 | 36 | SM26 | |
| 25 | 25 | 158 | 18 | – | 31.1 | – | 19 | 43 | SM27 | |
| 32 | 45 | 181 | 20.5 | – | 39 | – | 25 | 52.5 | SM28 | |
| 40 | 45 | 207 | 23.5 | – | 48.9 | – | 28.6 | 65.5 | SM29 | |
| 50 | 45 | 245 | 27.5 | – | 61.6 | – | 35.5 | 79 | SM30 | |
| 15 | 25 | – | – | 90 | – | 14.9 | 12 | 29 | SM25 | KC31 port connection without insert, O-ring and union nut |
| 20 | 25 | – | – | 108 | – | 19.9 | 17 | 36 | SM26 | |
| 25 | 25 | – | – | 116 | – | 24.9 | 19 | 43 | SM27 | |
| 32 | 45 | – | – | 134 | – | 31.9 | 25 | 52.5 | SM28 | |
| 40 | 45 | – | – | 154 | – | 39.9 | 28.6 | 65.5 | SM29 | |
| 50 | 45 | – | – | 184 | – | 49.9 | 35.5 | 79 | SM30 | |
| 15 | 25 | 132 | 18 | – | 20 | – | 12 | 29 | KM25 | Optionally available with variable code KC93 insert made of PVC-C |
| 20 | 25 | 156 | 21 | – | 25 | – | 17 | 36 | KM26 | |
| 25 | 25 | 170 | 24 | – | 32 | – | 19 | 43 | KM27 | |
| 32 | 45 | 196 | 28 | – | 40 | – | 25 | 52.5 | KM28 | |
| 40 | 45 | 222 | 31 | – | 50 | – | 28.6 | 65.5 | KM29 | |
| 50 | 45 | 266 | 38 | – | 63 | – | 35.5 | 79 | KM30 | |

DTS 1000303513 EN Version: AA Status: RL (released | freigegeben | valide) printed: 26.03.2026

| PVC-U (PV) | | | | | | | | | | |
|-------------------|----|-------|------|-----|------|------|------|------|------|--|
| 15 | 25 | 128 | 16 | - | 20 | - | 12 | 29 | KM25 | - |
| 20 | 25 | 152 | 19 | - | 25 | - | 17 | 36 | KM26 | - |
| 25 | 25 | 166 | 22 | - | 32 | - | 19 | 43 | KM27 | - |
| 32 | 45 | 192 | 26 | - | 40 | - | 25 | 52.5 | KM28 | - |
| 40 | 45 | 222 | 31 | - | 50 | - | 28.6 | 65.5 | KM29 | - |
| 50 | 45 | 266 | 38 | - | 63 | - | 35.5 | 79 | KM30 | - |
| 15 | 25 | - | - | 90 | - | 14.9 | 12 | 29 | KM25 | KC31 port connection without insert, O-ring and union nut |
| 20 | 25 | - | - | 108 | - | 19.9 | 17 | 36 | KM26 | |
| 25 | 25 | - | - | 116 | - | 24.9 | 19 | 43 | KM27 | |
| 32 | 45 | - | - | 134 | - | 31.9 | 25 | 52.5 | KM28 | |
| 40 | 45 | - | - | 154 | - | 39.9 | 28.6 | 65.5 | KM29 | |
| 50 | 45 | - | - | 184 | - | 49.9 | 35.5 | 79 | KM30 | |
| 15 | 25 | 140.6 | 22.3 | - | 21.5 | - | 12 | 29 | KM41 | - |
| 20 | 25 | 164.8 | 25.4 | - | 26.7 | - | 17 | 36 | KM42 | - |
| 25 | 25 | 179.2 | 28.6 | - | 33.5 | - | 19 | 43 | KM43 | - |
| 32 | 45 | 203.6 | 31.8 | - | 42.3 | - | 25 | 52.5 | KM44 | - |
| 40 | 45 | 230 | 35 | - | 48.6 | - | 28.6 | 65.5 | KM45 | - |
| 50 | 45 | 266.2 | 38.1 | - | 60.6 | - | 35.5 | 79 | KM46 | - |
| PVC-C (PW) | | | | | | | | | | |
| 15 | 25 | - | - | 90 | - | 14.9 | 12 | 29 | KM25 | KC31 port connection without insert, O-ring and union nut |
| 20 | 25 | - | - | 108 | - | 19.9 | 17 | 36 | KM26 | |
| 25 | 25 | - | - | 116 | - | 24.9 | 19 | 43 | KM27 | |
| 32 ^{2.)} | 45 | - | - | 134 | - | 31.9 | 25 | 52.5 | KM28 | |
| 40 ^{2.)} | 45 | - | - | 154 | - | 39.9 | 28.6 | 65.5 | KM29 | |
| 50 ^{2.)} | 45 | - | - | 184 | - | 49.9 | 35.5 | 79 | KM30 | |
| 15 | 25 | 132 | 18 | - | 20 | - | 12 | 29 | KM25 | - |
| 20 | 25 | 156 | 21 | - | 25 | - | 17 | 36 | KM26 | - |
| 25 | 25 | 170 | 24 | - | 32 | - | 19 | 43 | KM27 | - |
| 32 ^{2.)} | 45 | 196 | 28 | - | 40 | - | 25 | 52.5 | KM28 | - |
| 40 ^{2.)} | 45 | 222 | 31 | - | 50 | - | 28.6 | 65.5 | KM29 | - |
| 50 ^{2.)} | 45 | 266 | 38 | - | 63 | - | 35.5 | 79 | KM30 | - |

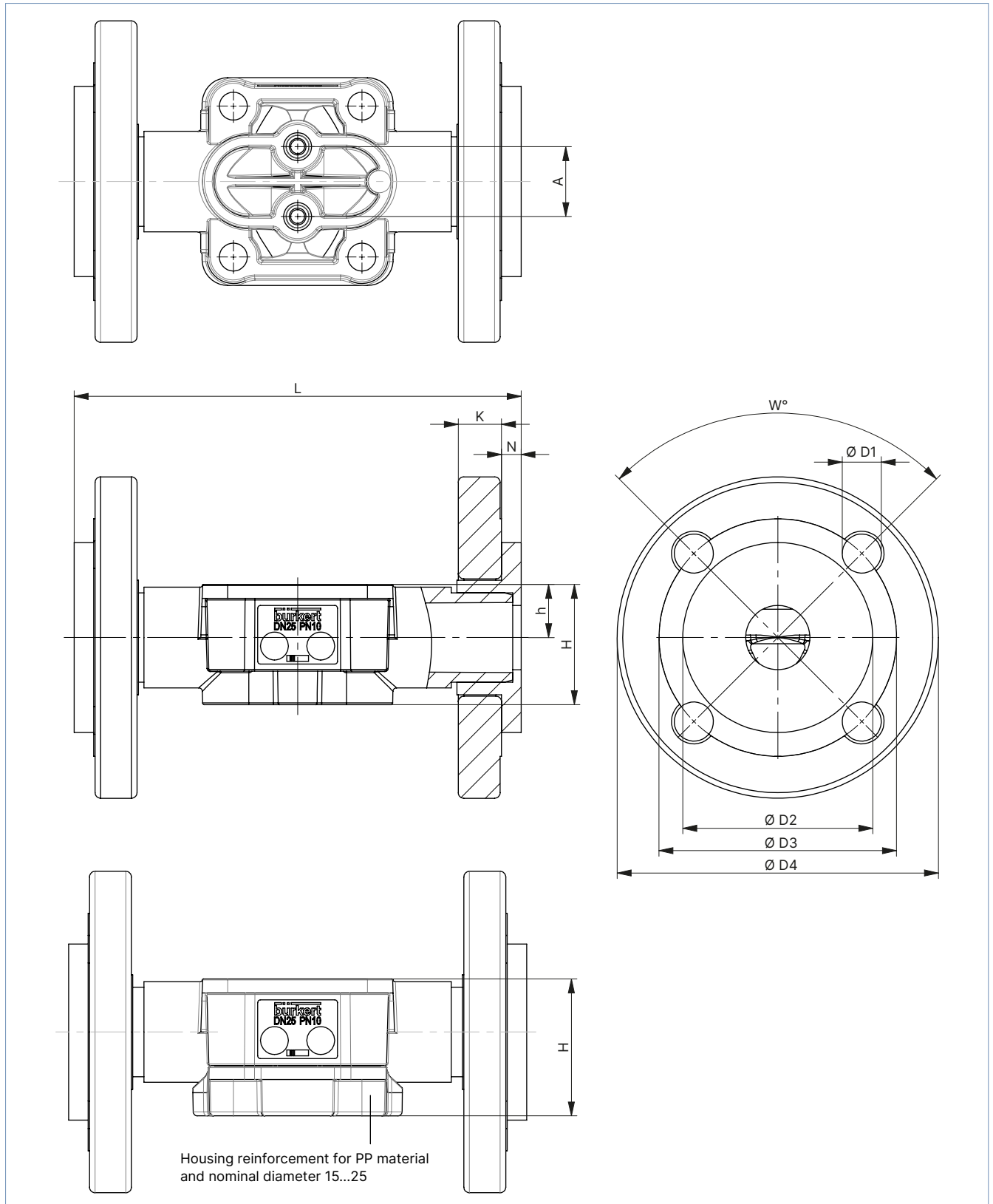
1.) This information is part of the product key (see "8.3. Bürkert Product Enquiry Form" on page 43).

2.) Available soon

4.12. Plastic valve body (PV, PP, PD) with flange connection

Note:

- Dimensions in mm. unless otherwise stated
- The specified values refer to the new plastic valve body. The previous bodies (REV1) may differ slightly from the new dimensions.



DTS 1000303513 EN Version: AA Status: RL (released | freigegeben | valide) printed: 26.03.2026

| Diaphragm size | A | L | K | N | h | H | W° | Ø D1 | Ø D2 | Ø D3 | Ø D4 | Product key ¹⁾ |
|-------------------|-----|-----|------|----|------|-------|----|--------|------|------|------|---------------------------|
| PP (PP) | | | | | | | | | | | | |
| 15 | 25 | 134 | 13.5 | 7 | 12 | 33 | 90 | 4×14 | 45 | 65 | 95 | FL24 |
| 20 | 25 | 154 | 14.5 | 7 | 17 | 42 | 90 | 4×14 | 54 | 75 | 105 | FL25 |
| 25 | 25 | 164 | 15.5 | 7 | 19 | 49 | 90 | 4×14 | 63 | 85 | 115 | FL26 |
| 32 | 45 | 184 | 17.5 | 8 | 25 | 52.5 | 90 | 4×18 | 73 | 100 | 140 | FL27 |
| 40 | 45 | 204 | 17.5 | 8 | 28.6 | 65.5 | 90 | 4×18 | 82 | 110 | 150 | FL28 |
| 50 | 45 | 234 | 19.5 | 14 | 35.5 | 79 | 90 | 4×18 | 102 | 125 | 166 | FL29 |
| 65 | 72 | 290 | 19 | – | 47 | 93 | 90 | 4×17.5 | 106 | 144 | 185 | FL30 |
| 80 | 120 | 310 | 36 | – | 50 | 107 | 45 | 8×18 | – | 160 | 200 | FF31 |
| 100 | 120 | 350 | 35 | – | 65.5 | 134.5 | 45 | 8×18 | – | 180 | 225 | FF32 |
| PVDF (PD) | | | | | | | | | | | | |
| 15 | 25 | 130 | 13.5 | 6 | 12 | 29 | 90 | 4×14 | 45 | 65 | 95 | FL24 |
| 20 | 25 | 150 | 14.5 | 7 | 17 | 36 | 90 | 4×14 | 58 | 75 | 105 | FL25 |
| 25 | 25 | 160 | 15.5 | 7 | 19 | 43 | 90 | 4×14 | 68 | 85 | 115 | FL26 |
| 32 | 45 | 180 | 17.5 | 8 | 25 | 52.5 | 90 | 4×18 | 78 | 100 | 140 | FL27 |
| 40 | 45 | 200 | 17.5 | 8 | 28.6 | 65.5 | 90 | 4×18 | 88 | 110 | 150 | FL28 |
| 50 | 45 | 230 | 19.5 | 9 | 35.5 | 79 | 90 | 4×18 | 102 | 125 | 166 | FL29 |
| 65 | 72 | 290 | 19 | – | 47 | 93 | 90 | 4×17.5 | 106 | 144 | 185 | FL30 |
| 80 | 120 | 310 | 36 | – | 50 | 107 | 45 | 8×18 | – | 160 | 200 | FF31 |
| 100 | 120 | 350 | 35 | – | 65.5 | 134.5 | 45 | 8×18 | – | 180 | 225 | FF32 |
| PVC-U (PV) | | | | | | | | | | | | |
| 15 | 25 | 130 | 13.5 | 6 | 12 | 29 | 90 | 4×14 | 34 | 65 | 95 | FL24 |
| 20 | 25 | 150 | 14.5 | 7 | 17 | 36 | 90 | 4×14 | 41 | 75 | 105 | FL25 |
| 25 | 25 | 160 | 15.5 | 7 | 19 | 43 | 90 | 4×14 | 50 | 85 | 115 | FL26 |
| 32 | 45 | 180 | 17.5 | 8 | 25 | 52.5 | 90 | 4×18 | 61 | 100 | 140 | FL27 |
| 40 | 45 | 200 | 17.5 | 8 | 28.6 | 65.5 | 90 | 4×18 | 73 | 110 | 150 | FL28 |
| 50 | 45 | 230 | 19.5 | 9 | 35.5 | 79 | 90 | 4×18 | 90 | 125 | 166 | FL29 |
| 65 | 72 | 290 | 19 | – | 47 | 93 | 90 | 4×17.5 | 106 | 144 | 185 | FL30 |
| 80 | 120 | 310 | 36 | – | 50 | 107 | 45 | 8×18 | – | 160 | 200 | FF31 |
| 100 | 120 | 350 | 35 | – | 65.5 | 134.5 | 45 | 8×18 | – | 180 | 225 | FF32 |

1.) This information is part of the product key (see "8.3. Bürkert Product Enquiry Form" on page 43).

DTS 1000303513 EN Version: AA Status: RL (released | freigegeben | valide) printed: 26.03.2026

5. Product connections

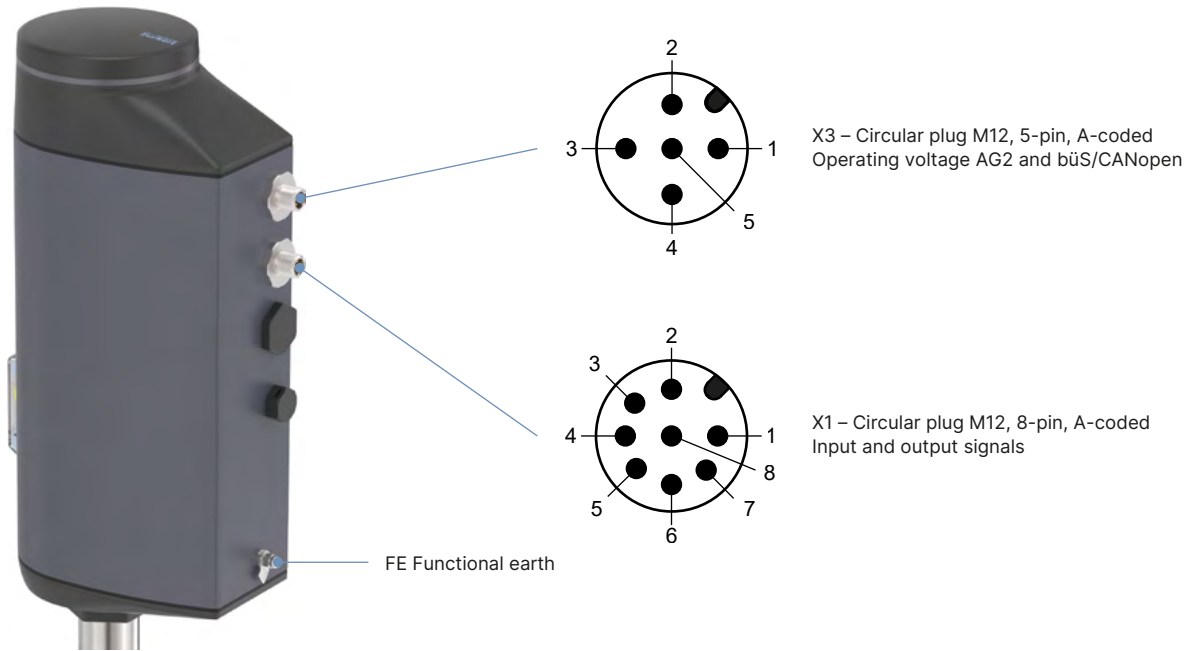
5.1. Electrical connection

Note:

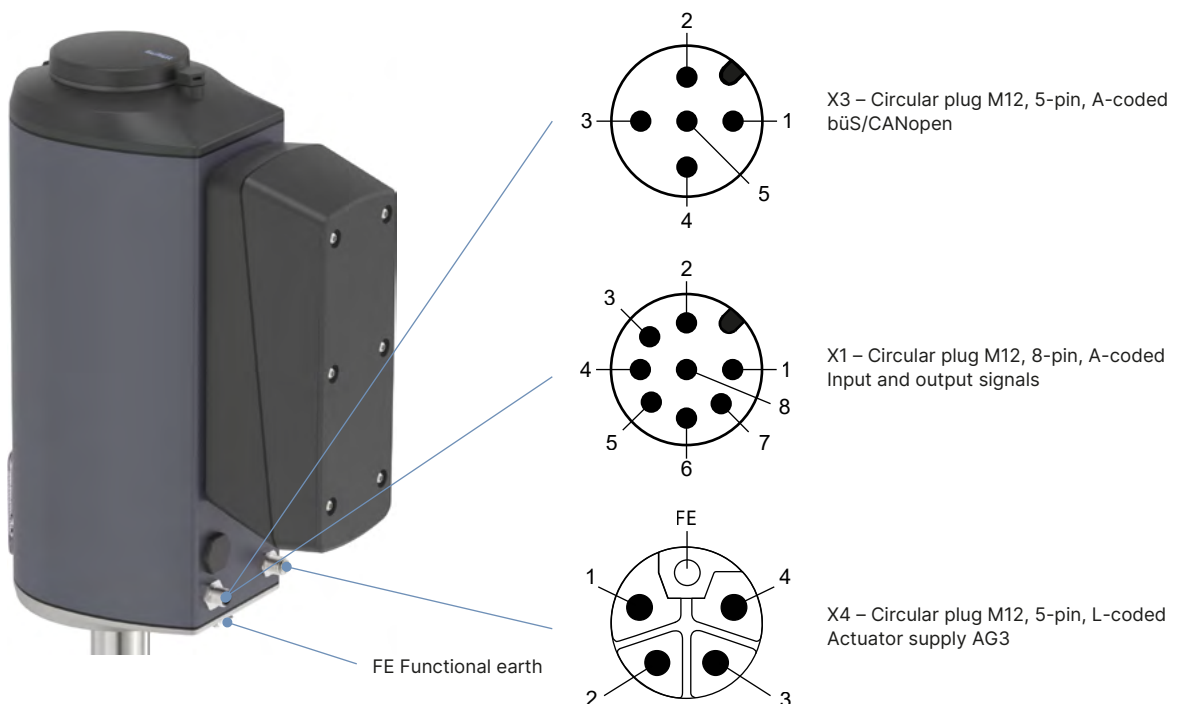
For the terminal assignment of the connection variant "cable gland with connection terminals", see **operating instructions Type 3323** ▶.

Description of circular plug-in connectors

AG2 variant

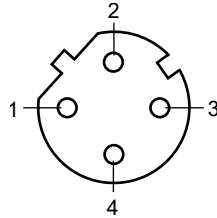


AG3 variant



DTS 1000303513 EN Version: AA Status: RL (released | freigegeben | valide) printed: 26.03.2026

Fieldbus gateway (optional)



X7 – M12 round socket, 4-pin, D-coded, fieldbus connection (2-port Ethernet switch)

The following circular plug-in connectors are used depending on the device variant:

| Circular plug-in connector | AG2 | | | AG3 | | |
|----------------------------|---|---|-------------|---|---|-------------|
| | Electrical variant | | | Electrical variant | | |
| | Binary with digital input (bÜS service interface) | With fieldbus gateway | bÜS/CANopen | Binary with digital input (bÜS service interface) | With fieldbus gateway | bÜS/CANopen |
| | 0...5 V (log „0“) 10...30 V (log „1“) | for EtherNet/IP, PROFINET, Modbus TCP, EtherCAT protocols | | 0...5 V (log „0“) 10...30 V (log „1“) | for EtherNet/IP, PROFINET, Modbus TCP, EtherCAT protocols | |
| X1 | X | – | – | X | – | – |
| X3 | X | X | X | – | X | X |
| X4 | – | – | – | X | X | X |
| X7 | – | X | – | – | X | – |

X = available
– = not available

Circular plug-in connector with pin assignment

Input and output signals

| X1 – Circular plug M12, 8-pin, A-coded | Pin | Assignment |
|---|------------|---|
| | 1 | Digital input + |
| | 2 | GND for digital input and digital outputs |
| | 3 | Digital output 2 + |
| | 4 | Digital output 1 + |
| | 5 | Do not connect |
| | 6 | Do not connect |
| | 7 | Do not connect |
| | 8 | Do not connect |

Operating voltage AG2 and büS/CANopen

| X3 – Circular plug M12, 5-pin, A-coded | Pin | Assignment |
|---|------------|----------------------------------|
| | 1 | CAN Shield / shield |
| | 2 | Operating voltage 24 V DC ± 10 % |
| | 3 | GND / CAN_GND |
| | 4 | CAN_H |
| | 5 | CAN_L |

Operating voltage AG3

| X4 – Circular plug M12, 5-pin, L-coded | Pin | Assignment |
|---|------------|--|
| | 1 | Operating voltage 24 V DC ± 10 % |
| | 2 | Do not connect |
| | 3 | GND |
| | 4 | Do not connect |
| | FE | Functional earth, connected to housing |

Fieldbus connection

| X7 – Circular socket M12, 4-pin, D-coded | Pin | Assignment |
|---|------------|-------------------|
| | 1 | Transmit + |
| | 2 | Receive + |
| | 3 | Transmit - |
| | 4 | Receive - |

DTS 1000303513 EN Version: AA Status: RL (released | freigegeben | valide) printed: 26.03.2026

6. Performance specifications

6.1. Fluidic data

Flow characteristics

Note:

- The K_v values may vary slightly with different actuator sizes and diaphragm materials.
- More K_v values are available on request.
- Flow rate: K_v value water (m³/h) for elastomer diaphragm
- Measurement at + 20 °C, 4 bar at valve inlet and 3 bar at valve outlet

Forged steel valve body (VS)

| Diaphragm size | Port connection | | K_v value water | | | | | |
|----------------|-----------------|--------|---|--|-------------------------------------|---------------------|---------------------|---------------------|
| | | | DIN EN ISO 1127 / ISO 4200 / DIN 11866 series B | DIN 11850 - 2 / DIN 11866 series A / DIN EN 10357 series A | ASME BPE / DIN 11866 series C | DIN 11850 - 0 | BS4825 | SMS3008 |
| | [mm] | [inch] | [m ³ /h] | [m ³ /h] | [m ³ /h] | [m ³ /h] | [m ³ /h] | [m ³ /h] |
| 8 | 6 | 1/8" | – | – | – | 1.1 | – | – |
| 8 | 8 | 1/4" | 1.5 | – | 0.7 | 1.7 | 0.5 | – |
| 8 | 10 | 3/8" | 1.5 | 1.5 | 1.6 | – | 1.4 | – |
| 8 | 15 | 1/2" | – | – | 1.5 | – | – | – |
| 15 | 10 | 3/8" | 5.5 | 3.5 | – | – | – | – |
| 15 | 15 | 1/2" | 6.5 | 6.5 | 3.1 | – | 3.7 | – |
| 15 | 20 | 3/4" | – | – | 6.5 | – | – | – |
| 20 | 20 | 3/4" | 12.5 | 12.4 | 8.4 | – | 8.9 | – |
| 25 | 25 | 1" | 18 | 20 | 15.5 | – | 15.5 | 16 |
| 40 | 32 | 1 1/4" | – | 34 | – | – | – | – |
| 40 | 40 | 1 1/2" | 41 | 40 | 37 | – | 37 | 38 |
| 50 | 50 | 2" | 66 | 66 | 66 | – | 66 | 66 |
| 50 | 65 | 2 1/2" | – | – | 70 | – | 70 | 70 |
| 65 | 65 | 2 1/2" | 110 | 110 | 110 | – | – | – |
| 80 | 65 | 2 1/2" | – | 150 | – | – | – | – |
| 80 | 80 | 3" | 175 | 175 | 180 | – | – | – |
| 100 | 100 | 4" | 235 | 240 | 235 | – | – | – |

Tube valve body (VP)

| Diaphragm size | Port connection | | K_v value water | | |
|----------------|-----------------|--------|--|---|----------------------------------|
| | | | DIN EN ISO 1127 / ISO 4200 / DIN 11866 series B | DIN 11850 - 2 / DIN 11866 series A / DIN EN 10357 series A | ASME BPE / DIN 11866 series C |
| | [mm] | [inch] | [m ³ /h] | [m ³ /h] | [m ³ /h] |
| 8 | 8 | 1/4" | 1.9 | – | – |
| 8 | 10 | 3/8" | – | 1.9 | – |
| 8 | 15 | 1/2" | – | – | 1.8 |
| 15 | 10 | 3/8" | – | – | 7.1 |
| 15 | 15 | 1/2" | 7.2 | 7.4 | – |
| 15 | 20 | 3/4" | – | 7.4 | – |
| 20 | 20 | 3/4" | 13.5 | – | – |
| 20 | 25 | 1" | – | 14.9 | 12.8 |
| 25 | 32 | 1 1/4" | – | 22.3 | – |
| 25 | 25 | 1" | 20.8 | – | – |
| 32 | 40 | 1 1/2" | – | 34.8 | 31 |
| 40 | 40 | 1 1/2" | 47.9 | – | – |
| 40 | 50 | 2" | – | 46.2 | 43 |
| 50 | 50 | 2" | 60 | – | 60 |
| 65 | 80 | 3" | – | – | 85 |
| 80 | 100 | 4" | – | – | 145 |

Cast valve body (VG)

| Diaphragm size | Port connection | | K _v value water [m ³ /h] |
|----------------|-----------------|--------|---|
| | [mm] | [inch] | |
| 8 | 8 | 1/4" | 1 |
| 15 | 15 | 1/2" | 5.6 |
| 20 | 20 | 3/4" | 10.7 |
| 25 | 25 | 1" | 14.6 |
| 40 | 40 | 1 1/2" | 35 |
| 50 | 50 | 2" | 47 |
| 65 | 65 | 2 1/2" | 65 |
| 80 | 80 | 3" | 100 |
| 100 | 100 | 4" | 180 |

Plastic valve body (PW, PV, PP, PD)

| Diaphragm size | Seal material | Port connection | | K _v value | |
|----------------|---------------|-----------------|--------|-----------------------------|------------------------|
| | | [mm] | [inch] | Product key REV1 | |
| | | | | Previous plastic valve body | New plastic valve body |
| | | | | [m ³ /h] | |
| 15 | EPDM | 15 | 1/2" | 3 | 8.1 |
| | PTFE/EPDM | | | | 7.5 |
| 20 | EPDM | 20 | 3/4" | 7 | 14.1 |
| | PTFE/EPDM | | | | 13.1 |
| 25 | EPDM | 25 | 1" | 11.4 | 25.5 |
| | PTFE/EPDM | | | | 21.5 |
| 32 | EPDM | 32 | 1 1/4" | 17 | 38.5 |
| | PTFE/EPDM | | | | 37.5 |
| 40 | EPDM | 40 | 1 1/2" | 24.5 | 57 |
| | PTFE/EPDM | | | | 56 |
| 50 | EPDM | 50 | 2" | 41.5 | 92 |
| | PTFE/EPDM | | | | 92 |
| 65 | EPDM | 65 | 2 1/2" | 60 | - |
| | PTFE/EPDM | | | | - |
| 80 | EPDM | 80 | 3" | 105 | - |
| | PTFE/EPDM | | | | - |
| 100 | EPDM | 100 | 4" | 154 | - |
| | PTFE/EPDM | | | | - |

DTS 1000303513 EN Version: AA Status: RL (released | freigegeben | valide) printed: 26.03.2026

6.2. Operating limits

Note:

For device variants with approvals or conformities, deviating technical operating limits (temperature, pressure) may apply. Refer to the corresponding approval-related documentation.

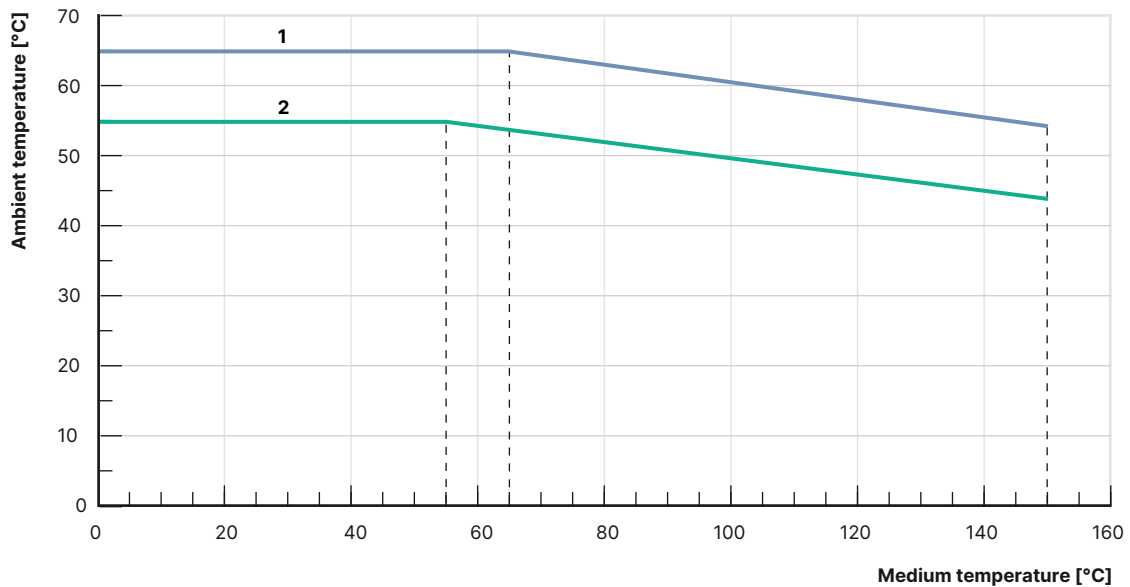
Medium pressure

| Diaphragm size | Actuator size | Max. operating pressure for seal material | | |
|----------------|-------------------|---|------------------------------------|----------------------------------|
| | | EPDM, FKM | PTFE/EPDM, advanced PTFE/EPDM (EU) | Laminate of GYLON® and EPDM (ER) |
| | [N] | [bar] | [bar] | [bar] |
| 8 | N (AG2 / 2500 N) | 10 | 10 | 10 |
| 15 | | 10 | 10 | 10 |
| 20 | | 10 | 10 | 10 |
| 25 | | 10 | 10 | 10 |
| 32 | | 8 | 5.5 | 5.5 |
| 40 | | 4 | 2.5 | 2.5 |
| 40 | S (AG3 / 11500 N) | 10 | 10 | 10 |
| 50 | | 10 | 10 | 10 |
| 65 | | 10 | 6 | 6 |
| 80 | | 6 | 2.5 | 6 |
| 100 | | 3.5 | - | - |

Operating limits for ambient and medium temperature

The maximum permissible temperature for the environment and the medium depend on each other. The maximum allowable temperature curves of different device variants are shown in the temperature chart.

Temperature diagram AG2

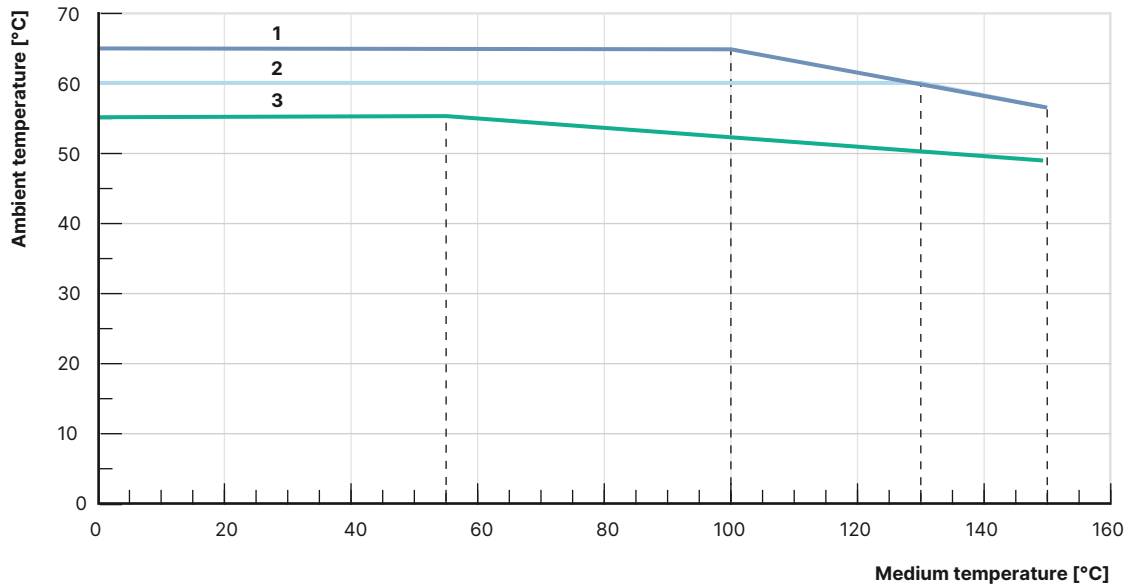


| No. | Description |
|-----|--|
| 1 | Devices without module |
| 2 | Devices with energy storage SAFEPOS energy-pack ¹⁾ or with fieldbus gateway |

1.) The service life of the energy storage SAFEPOS energy-pack depends on the medium temperature and the ambient temperature.

DTS 1000303513 EN Version: AA Status: RL (released | freigegeben | valide) printed: 26.03.2026

Temperature diagram AG3



| No. | Description |
|-----|---|
| 1 | Devices without module |
| 2 | Devices with energy storage SAFEPOS energy-pack ¹⁾ |
| 3 | Devices with fieldbus gateway |

1.) The service life of the energy storage SAFEPOS energy-pack depends on the medium temperature and the ambient temperature.

6.3. Electrical control and interfaces

Interface diagram

The position of the actuator is regulated according to the position set-point value. The position set-point value is specified either by an external standard signal or via a fieldbus (digital).

Analogue control

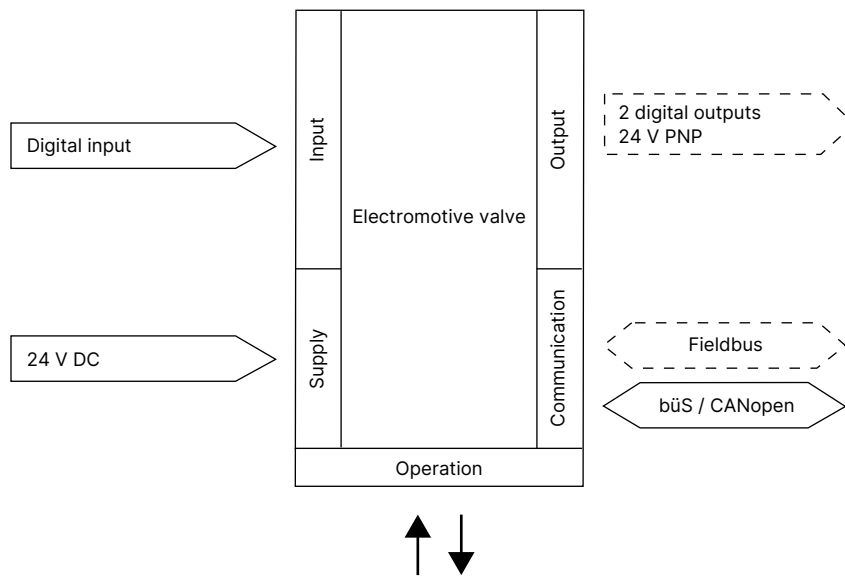
For analogue control, 2 variants are available for each the inputs and outputs and the connection interface.

Inputs and outputs:

- 1 digital input, 2 digital outputs

Interface:

- Cable gland with connection terminals (only AG2)
- M12 circular plug-in connectors (optional)



Note:
Optional outputs are represented as a broken line.

| Control data | |
|-------------------------------|---|
| Digital input | 0...5 V = log „0“, 10...30 V = log „1“, inverted input inverted accordingly |
| Digital output (optional) | Current limitation 100 mA |
| Communication | |
| Communication interface (bùS) | Connection to PC via USB bùS interface set |
| Communication software (bùS) | Bürkert Communicator, see Type 8920 ▶ |

7. Product design and assembly

7.1. Product features

Note

Further information can be found in the **operating instructions Type 3323** ▶.

| User interface | |
|---|--|
| <p>Device without display module</p> <p>The basic functions are operated by 4 DIP switches and 2 push buttons. These are located under the blind cover which can be removed manually by turning. Through the bÜS service interface, the device can also be configured in detail with the Bürkert Communicator software.</p> <p>For this, the optional USB-bÜS interface set is required (see "8.4. Ordering chart accessories" on page 44).</p> | <p>Blind cover dismantled</p> <p>1.) Non-functional in devices with display module. The display must be used for operation.</p> |
| <p>Device with display module</p> <p>The robust display module is easy to use, it configures and displays all the required functions. In addition to the start screen you can also switch to the configuration view and user-specified views as needed. The functions of the device without a display module, such as bÜS service access, are also available here.</p> | |
| Actuation | |
| <p>Mechanical manual override</p> <p>The manual override for mechanical movement of the valve is located for AG2 under the blind cover or display module and for AG3 under the pressure compensation element. It ensures that the actuator can be operated even if the power supply fails.</p> | <p>Mechanical manual override AG2</p> <p>open valve turn close valve press and turn</p> |
| <p>Electrical manual override</p> <p>The electrical manual override for the procedure is carried out via two buttons under the blind cover.</p> | <p>Unlock blind cover</p> <p>DIP switch</p> <p>ON DIP</p> <p>1 2 3 4</p> <p>Operating state MANUAL: DIP 4 → ON</p> <p>Buttons for actuation of the valve</p> |

DTS 1000303513 EN Version: AA Status: RL (released | freigegeben | valide) printed: 26.03.2026

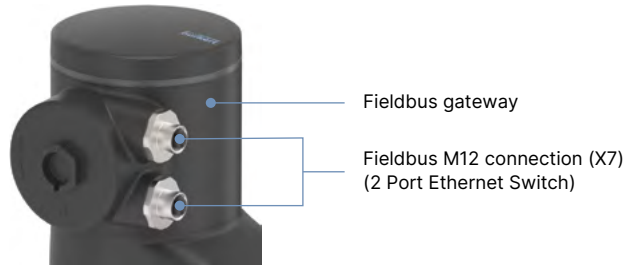
| Display elements | | |
|--|---|----------------------------|
| <p>Display 360° LED light ring A clearly visible 360° LED ring is attached to the blind cover or display module to indicate the device status, the valve end position and the operating state. The LED light ring lights up, blinks or flashes in one or changing colours, depending on the LED mode set.</p> | <p>LED light ring as status indicator</p> <p>AG2 Mechanical position indicator (yellow)</p> <p>AG3 Mechanical position indicator (yellow)</p> | |
| <p>Mechanical position indicator: The mechanical position indicator shows the current valve position even if the supply voltage fails.</p> | | |
| Data transmission (optional) | | |
| <p>SIM card (optional) With the optionally available SIM card, device-specific values and user settings can be stored and quickly transferred to another device.</p> | <p>SIM card holder</p> | |
| <p>büS service interface The büS service interface connects the device with the Bürkert Communicator software on a PC, laptop or smartphone. From there a configuration of the device or error diagnosis can be carried out.</p> | <p>büS service interface Connection for CAN adapter or USB-büS interface set</p> | |
| Safety position via energy storage (optional) | AG2 | AG3 |
| <p>The safety starting positions in case of power interruption is realised with the optional energy storage SAFEPOS energy-pack. The desired position is set via the menu. In addition to the end positions (open/closed), any desired intermediate position can be defined here. The energy storage has a lifespan of up to 10 years, depending on the operating conditions. The power of the energy storage is monitored and a warning is displayed to indicate its service life is coming to an end. The storage device is designed as a plug-in module to facilitate replacement. Without energy storage, the valve remains in the last position it was in.</p> <p>The energy storage device is fully charged and ready for operation after a maximum of 120 seconds (depending on the operating conditions).</p> <p>The energy storage device cannot be retrofitted in the field.</p> | <p>SAFEPOS energy-pack</p> | <p>SAFEPOS energy-pack</p> |

DTS 1000303513 EN Version: AA Status: RL (released | freigegeben | valide) printed: 26.03.2026

Fieldbus: EtherNet/IP, PROFINET, Modbus TCP, EtherCAT (optional)

The fieldbus gateway for EtherNet/IP, PROFINET, Modbus TCP and EtherCAT is integrated in an additional module. It has 2 fieldbus connections with 4-pin M12 circular sockets. The interfaces for the fieldbus connection and the status LEDs are located under the gateway housing cover. If there is a need for it to be included in a network, the Ethernet configuration can be performed via the web server.

The gateway cannot be retrofitted in the field.



7.2. Product assembly

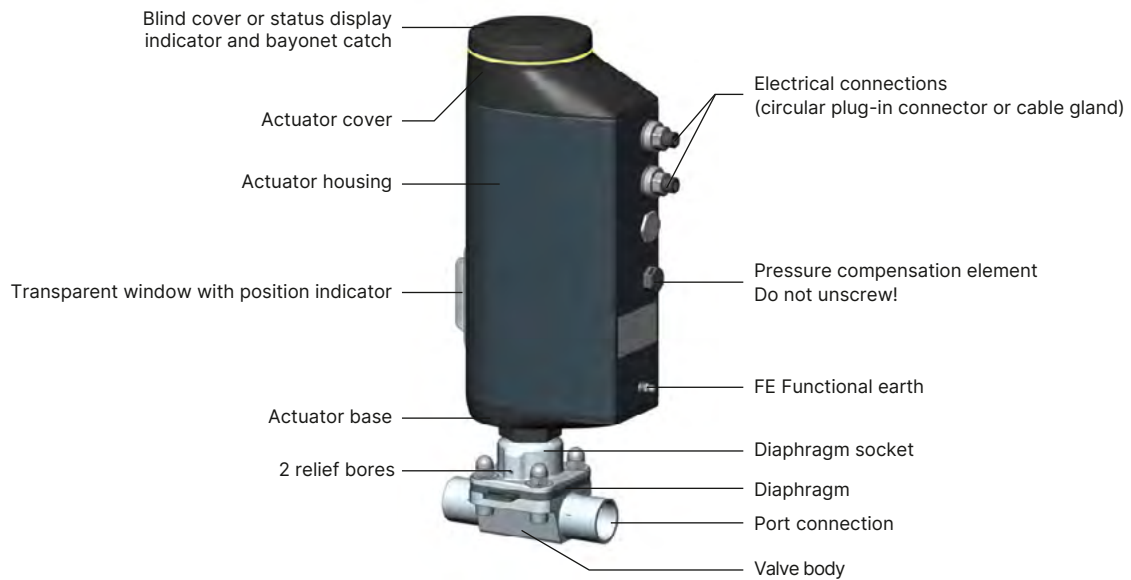
The electromotive linear drive consists of a brushless DC motor, a gear and a spindle system that transfers the force to the closing element. The integrated control electronics are controlled either by standard signals or via a fieldbus (digital). A positioner and a process controller are available as controller variants. The electromotive linear actuator is designed to provide optimum efficiency. At the same time, it keeps the valve tight and in position even at the maximum specified medium pressure in a powerless standstill. The optional energy storage device SAFEPOS energy-pack is available for the device. If the supply voltage fails, it supplies the actuator with the energy required to move the valve into the desired position which can be set in the menu.

The valve position can be changed manually in 2 ways. Either via the electrical manual control or via a mechanical manual control if no supply voltage is available. The device can be set and operated either via 2 capacitive keys and 4 DIP switches or optionally on a display with touch screen. Additionally, you can always operate the device via the bÜS service interface and using the Bürkert Communicator software.

The intelligent process valve Type 3323 offers the operator options for process monitoring, valve diagnosis and preventive maintenance. Internal measurements of the operating status are evaluated and, if necessary, issued as a warning or error message. These signal, for example, impermissible ambient and process conditions, functional deviations of components or the status of the energy storage device.

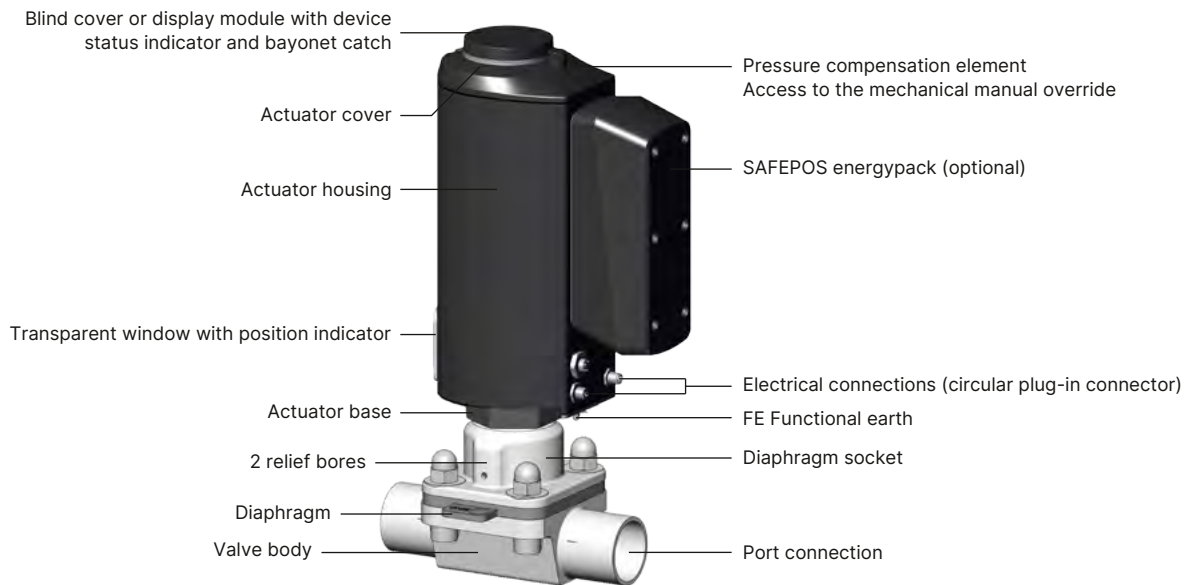
To increase diaphragm service life, the drive force is adapted to the diaphragm size. It can also be adapted to the operating conditions to achieve optimum service life.

Design of electromotive diaphragm valve Type 3323 AG2



DTS 1000303513 EN Version: AA Status: RL (released | freigegeben | valide) printed: 26.03.2026

Design of electromotive diaphragm valve Type 3323 AG3



DTS 1000303513 EN Version: AA Status: RL (released | freigegeben | valide) printed: 26.03.2026

8. Ordering information

8.1. Bürkert eShop



Bürkert eShop – Easy ordering and quick delivery

You want to find your desired Bürkert product or spare part quickly and order directly? Our online shop is available for you 24/7. Sign up and enjoy all the benefits.

[Order online now](#)

8.2. Bürkert product filter

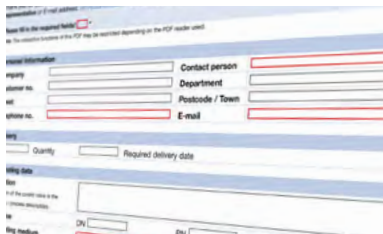


Bürkert product filter – Get quickly to the right product

You want to select products comfortably based on your technical requirements? Use the Bürkert product filter and find suitable articles for your application quickly and easily.

[Try out our product filter](#)

8.3. Bürkert Product Enquiry Form



Bürkert Product Enquiry Form – Your enquiry quickly and compactly

Would you like to make a specific product enquiry based on your technical requirements? Use our Product Enquiry Form for this purpose. There you will find all the relevant information for your Bürkert contact. This will enable us to provide you with the best possible advice.

[Fill out the form now](#)




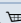
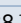
DTS 1000303513 EN Version: AA Status: RL (released | freigegeben | valide) printed: 26.03.2026

8.4. Ordering chart accessories

Note:

For device variants with approvals or conformities, additional accessories may be required for intended use. Please refer to the relevant approval documentation.

Standard accessories


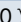

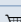
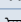
| Description | Article no. |
|--|--|
| SIM card for data transmission between units | 291773  |
| Holding device for port connection DN 08...DN 40 ¹⁾ | 697473  |
| Blind cover made of plastic | 277881  |
| Wearing part energy storage SAFEPOS energy-pack (AG2) | 285834  |
| Wearing part energy storage SAFEPOS energy-pack (AG3) | 20046438  |

1.) For diaphragm size 08, the holding device is included in the scope of delivery.

Accessories cable

Note:




For connection to a bUS/CANopen network see „Supplement | Cabling guide bUS/EDIP“ on our website under „User Manuals“, **Type 3323** ▶.

| Description | Article no. |
|--|--|
| M12 circular socket with cable, 4-pin, A-coded, cable length: 5 m, for X3, operating voltage AG2 (without communication) | 918038  |
| M12 circular socket with cable, 5-pin, L-coded, cable length: 5 m, for X4, operating voltage AG2 (without communication) | 20010840  |
| M12 circular socket with cable, 8-pin, A-coded, cable length: 2 m, for X1, input and output signals | 919061  |
| M12 circular plug with cable, 4-pin, D-coded to M12 straight plug, cable length: 5 m, for X7, fieldbus connection | 775043  |
| M12 circular plug with cable, 4-pin, D-coded to RJ45 plug, cable length: 5 m, for X7, fieldbus connection | 775053  |

Bürkert accessories

Note:

- For connection to a bUS/CANopen network see „Supplement | Cabling guide bUS/EDIP“ on our website under „User Manuals“, **Type 3323** ▶.
- For detailed accessory tables, see „Supplement | Cabling guide bUS/EDIP“ on our website under „User Manuals“, **Type 3323** ▶.

| Description | Article no. |
|--|--|
| Bürkert Communicator software, Type 8920 | Type 8920 ▶ |
| USB-bUS interface set 1 (Type 8923) | 772426  |
| USB-bUS interface set 2 (Type 8923) | 772551  |
| bUS adapter for bUS service interface (M12 on bUS service interface micro USB), cable length: 0.3 mm | 774931  |