




Bellow sampling valve

- For sampling in bioreactors and fermentation processes
- Quick open options are available
- Directly mountable on the tank side wall
- With integrated sampling port and SIP interface

Product variants described in the data sheet may differ from the product presentation and description.

Can be combined with

	Type 8098 FLOWave SAW flowmeter	▶
	Type 2080 Pneumatically operated 2/2-way valve with bellows	▶
	Type 8652 AirLINE – the valve island optimised for process automation	▶
	Type 8036 Inline flowmeter with paddle wheel, ELEMENT design	▶

Type description

The manually operated Type 3260 Bellows Sampling Valve consists of a manually operated quick-open/close mechanism, a bellow and depending on the version a multi-port valve body.

The quick opening/closing mechanism ensures the valve closes automatically when it is not manually operated and guarantees use under hygienic or aggressive ambient conditions.

Table of contents

1. General technical data	3
<hr/>	
2. Approvals and conformities	4
2.1. General notes	4
2.2. Conformity	4
2.3. Standards	4
2.4. Explosion protection.....	4
2.5. Foods and beverages/Hygiene	4
<hr/>	
3. Materials	5
3.1. Bürkert resistApp	5
3.2. Material specifications	5
3.3. Available bellow materials	6
3.4. Wearing part and tool.....	6
<hr/>	
4. Dimensions	7
4.1. Actuator	7
Manual lever (D111).....	7
Handwheel SS (D110)	8
Handwheel PPS (D112)	9
4.2. Body (VH) with clamp connection	10
<hr/>	
5. Performance specifications	13
<hr/>	
6. Ordering information	13
6.1. Bürkert eShop	13
6.2. Bürkert product filter.....	13
6.3. Ordering chart	14
For tank.....	14
For pipes.....	14
Explanation of the ordering key	15

DTS 1000593994 EN Version: | Status: RL (released | freigegeben | validé) printed: 09.01.2025

1. General technical data

Product properties

Dimensions Further information can be found in chapter "4. Dimensions" on page 7.

Material

Body (VH)^{1.)} Stainless steel block 1.4435 according to DIN EN 10088 and 316L according to ASTM A479/A479M

Standard surface quality

Body (VH)^{1.)} Internally mechanically polished: Ra ≤ 0.5 µm (NO14) (ASME BPE SF1)
Internally electrically polished: Ra ≤ 0.38 µm (NO17) (ASME BPE SF4)

Nominal diameter (port connection) 8.0 mm

Medium data

Operating medium Neutral gases and fluids, highly purified, sterile, aggressive or abrasive mediums (see "3.1. Bürkert resistApp" on page 5)

Medium temperature

PTFE (EE)^{1.)} + 10...+ 130 °C (steam sterilisation at + 130 °C for 60 min)

Process/Port connection & communication

Port connections^{2.)}

for stainless steel body^{3.)}

Clamp connection^{2.)} ASME BPE

Environment and installation

Installation position Further information can be found in the operating manual.

Ambient temperature: actuator (manual)

Bellow sampling valve + 5...+ 90 °C

1.) This information is part of the product key.

2.) Further versions on request

3.) For standard variant

2. Approvals and conformities

2.1. General notes

- The approvals and conformities listed below must be stated when making enquiries. This is the only way to ensure that the product complies with all required specifications.
- Not all available versions can be supplied with the below mentioned approvals or conformities.



2.2. Conformity

In accordance with the Declaration of conformity, the product is compliant with the EU Directives.

2.3. Standards

The applied standards which are used to demonstrate compliance with the EU Directives are listed in the EU-Type Examination Certificate and/or the EU Declaration of Conformity.

2.4. Explosion protection

Approval	Description																
 	<p>Optional: Explosion protection As a category 2 device suitable for zone 1/21 and zone 2/22 (optional).</p> <p>ATEX: EPS 18 ATEX 2 008 X II 2G Ex h IIC T4...T2 Gb II 2D Ex h IIC T135 °C...T300 °C Db</p> <p>IECEx: IECEx EPS 18.0007 X Ex h IIC T4...T2 Gb Ex h IIC T135 °C...T300 °C Db</p> <table border="1"> <thead> <tr> <th>Temperature class</th> <th>T2</th> <th>T3</th> <th>T4</th> </tr> </thead> <tbody> <tr> <td>Permissible surface temperature</td> <td>+ 300 °C</td> <td>+ 200 °C</td> <td>+ 135 °C</td> </tr> <tr> <td>Ambient temperature Restrictions from the device</td> <td>- 40...+ 80 °C</td> <td>- 40...+ 80 °C</td> <td>- 40...+ 80 °C</td> </tr> <tr> <td>Maximum medium temperature Restrictions from the device</td> <td>+ 230 °C</td> <td>+ 185 °C</td> <td>+ 125 °C</td> </tr> </tbody> </table>	Temperature class	T2	T3	T4	Permissible surface temperature	+ 300 °C	+ 200 °C	+ 135 °C	Ambient temperature Restrictions from the device	- 40...+ 80 °C	- 40...+ 80 °C	- 40...+ 80 °C	Maximum medium temperature Restrictions from the device	+ 230 °C	+ 185 °C	+ 125 °C
Temperature class	T2	T3	T4														
Permissible surface temperature	+ 300 °C	+ 200 °C	+ 135 °C														
Ambient temperature Restrictions from the device	- 40...+ 80 °C	- 40...+ 80 °C	- 40...+ 80 °C														
Maximum medium temperature Restrictions from the device	+ 230 °C	+ 185 °C	+ 125 °C														


2.5. Foods and beverages/Hygiene

Conformity	Description
FDA	FDA – Code of Federal Regulations All wetted materials are compliant with the Code of Federal Regulations published by the FDA (Food and Drug Administration, USA) according to the manufacturer’s declaration.
USP	United States Pharmacopeial Convention (USP) All wetted materials are biocompatible according to the manufacturer’s declaration.

DTS 1000593994 EN Version: | Status: RL (released | freigegeben | validé) printed: 09.01.2025

3. Materials

3.1. Bürkert resistApp



Bürkert resistApp – Chemical resistance chart

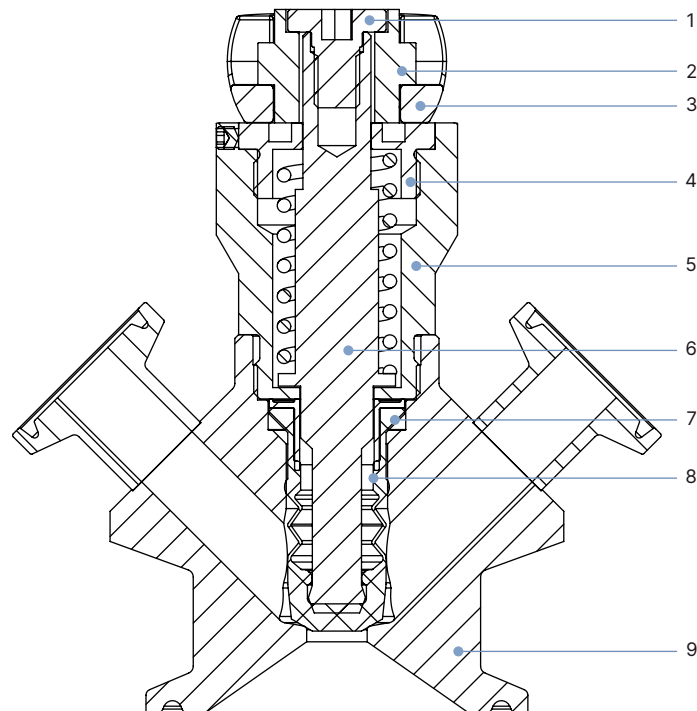
You want to ensure the reliability and durability of the materials in your individual application case? Verify your combination of media and materials on our website or in our resistApp.

[Start chemical resistance check](#)

3.2. Material specifications

Note:

The exemplary representation may differ from the actual product, depending on the body and interface options.




No.	Element	Material
1	Top screw	Stainless steel 304
2	Cap	Stainless steel 316L
3	Handle lever	Stainless steel 304
4	Cover	Stainless steel 316L
5	Body actuator	Stainless steel 316L
6	Spindle	Stainless steel 316L
7	Bushing	Stainless steel 316L
8	Bellows	PTFE (EE)
9	Valve body	Stainless steel 316L


3.3. Available bellows materials

The bellows are designed to meet the unique challenges of hygienic and sterile requirements. Bürkert offers bellows with precise material composition and high accuracy. Bürkert bellows material has been tested and proven in applications in the food and beverage, biotechnology, pharmaceutical and cosmetics industries.

The bellows is tested during development and production to ensure reliability under difficult process conditions.

Bellows	Material
	<ul style="list-style-type: none"> • PTFE (EE)

3.4. Wearing part and tool

Tool	Description
	<ul style="list-style-type: none"> • Bellows SIMPLEX PTFE: ID 93141610 • Handle: ID 93141629 • Auxiliary tool: ID 93106811

DTS 1000593994 EN Version: | Status: RL (released | freigegeben | validé) printed: 09.01.2025

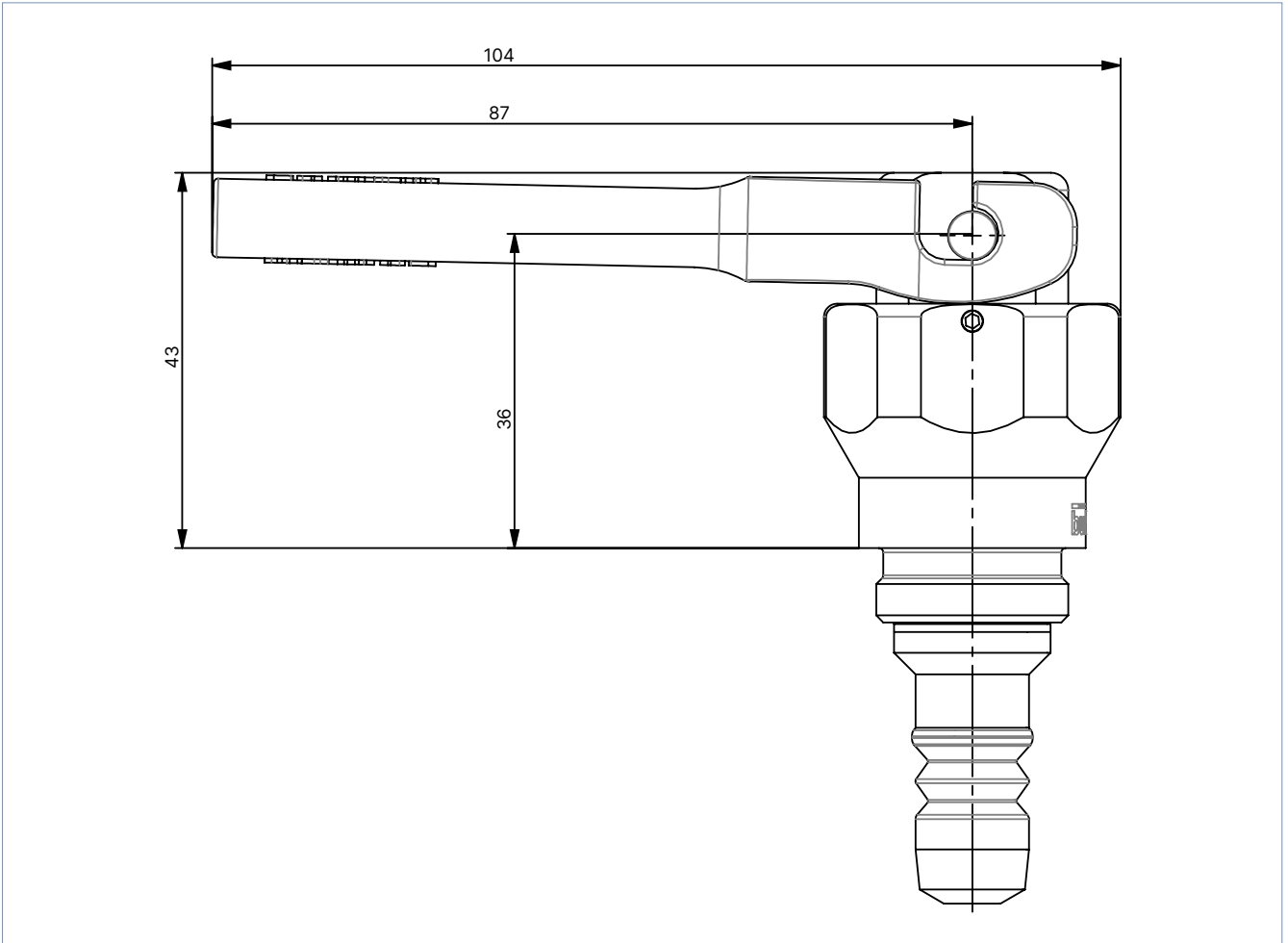
4. Dimensions

4.1. Actuator

Manual lever (D111)

Note:

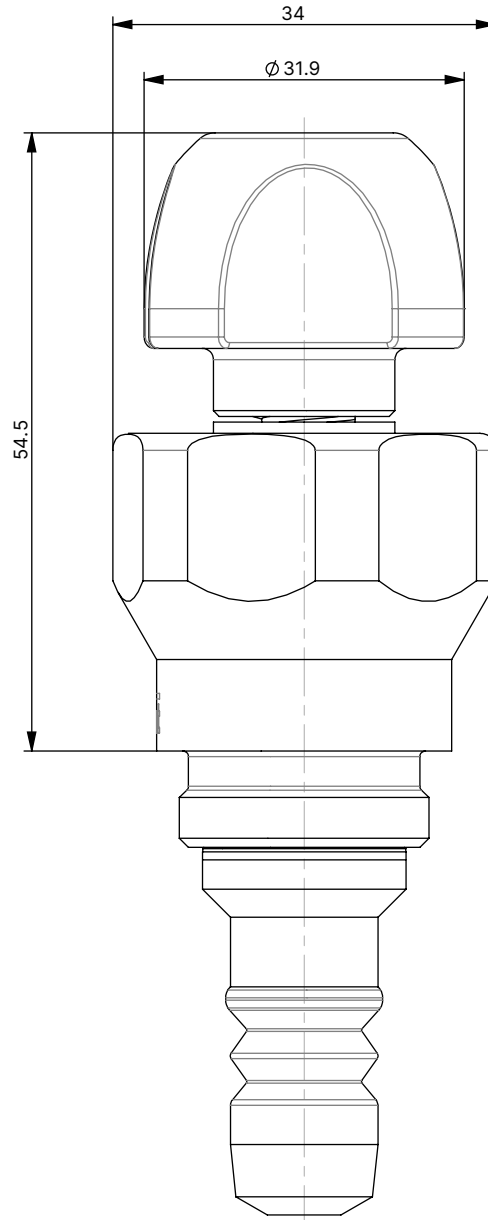
Dimensions in mm



Handwheel SS (D110)

Note:

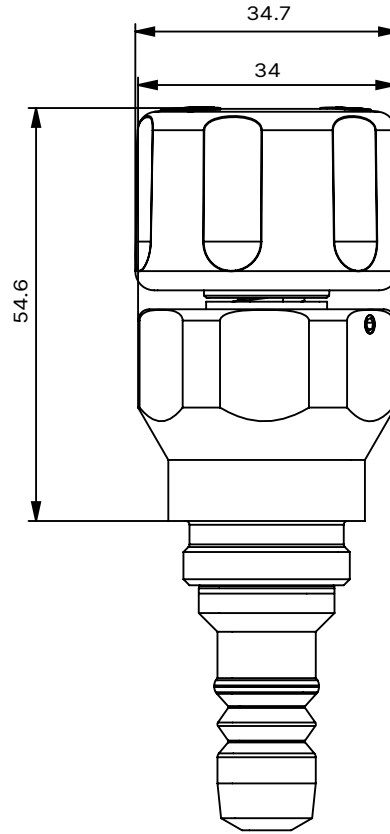
Dimensions in mm



Handwheel PPS (D112)

Note:

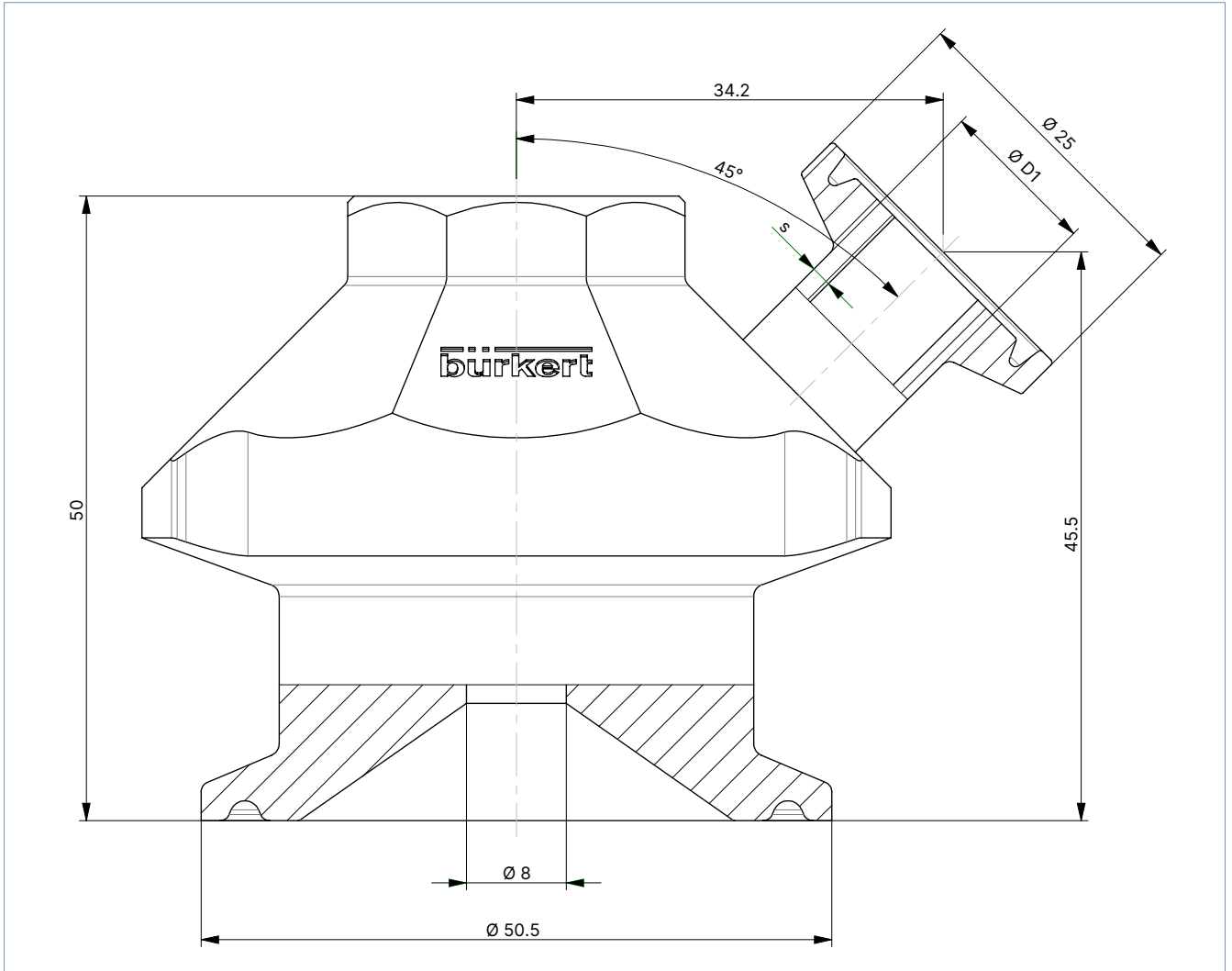
Dimensions in mm



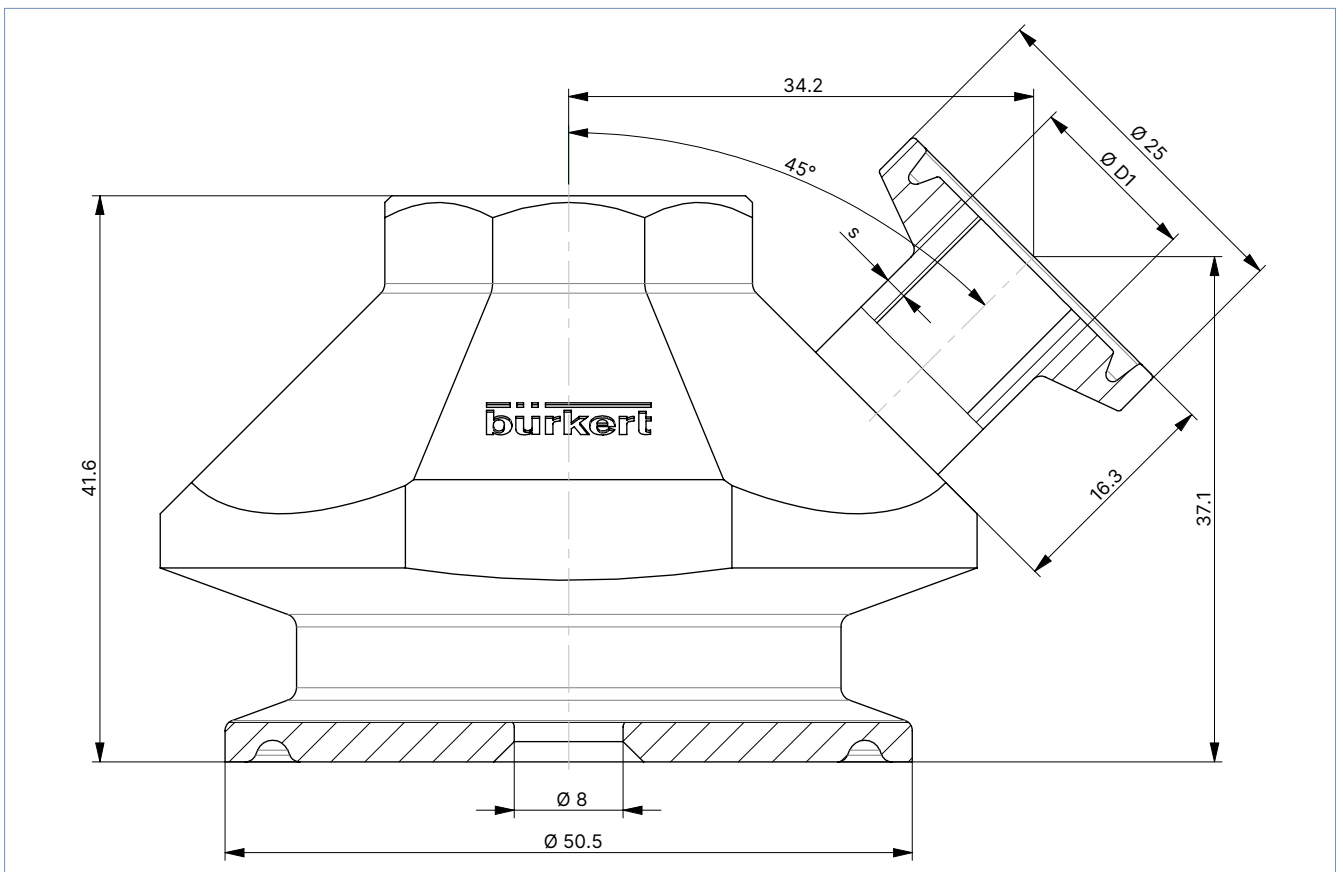
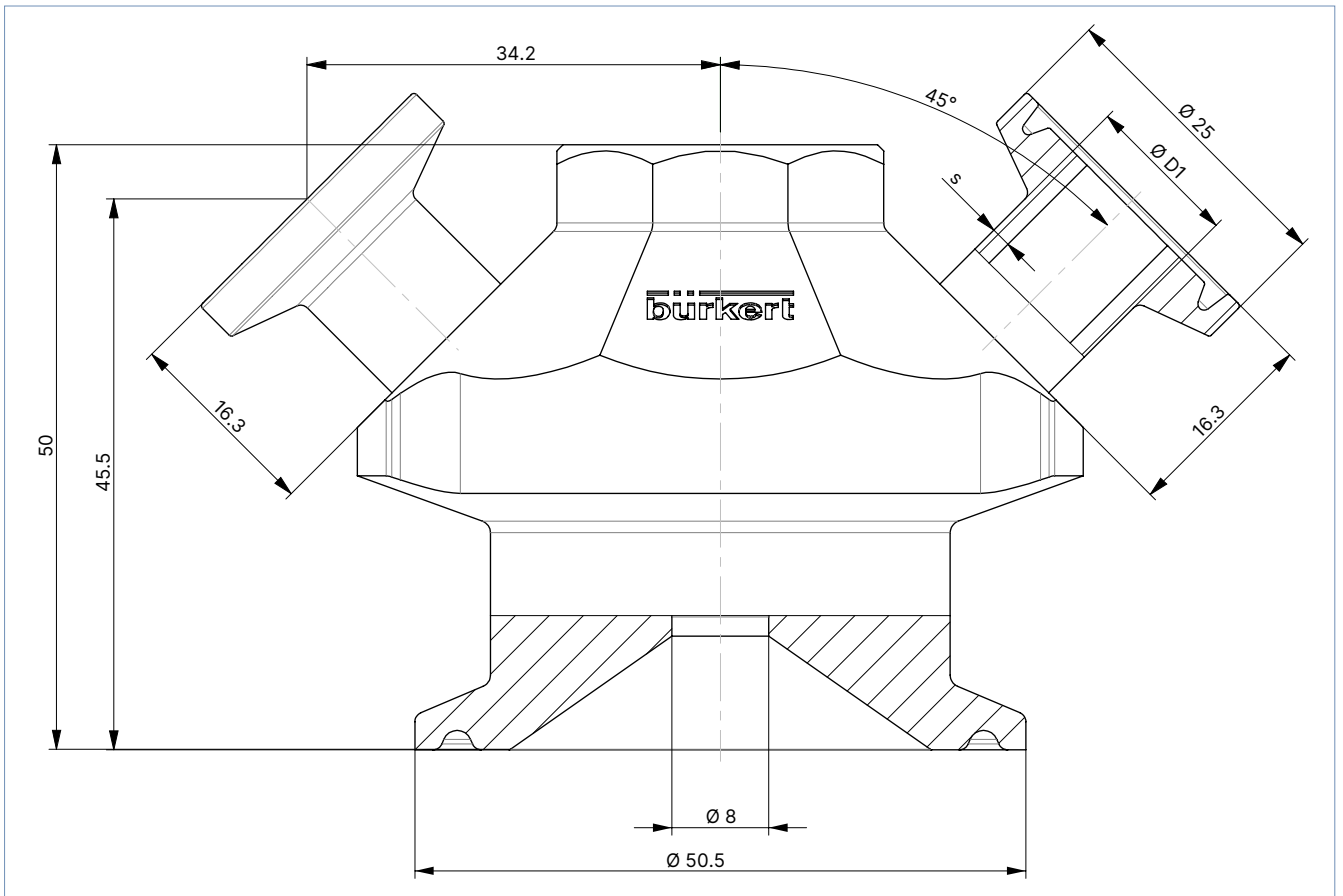
4.2. Body (VH) with clamp connection

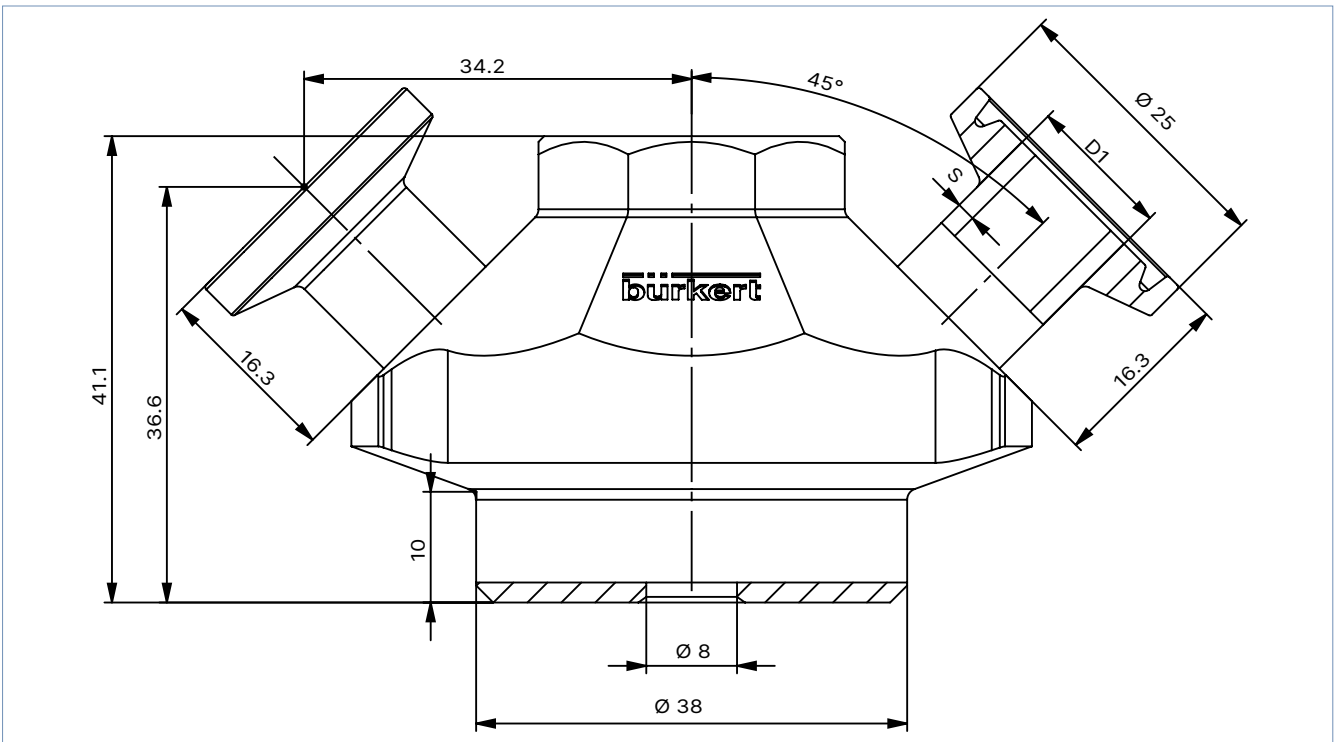
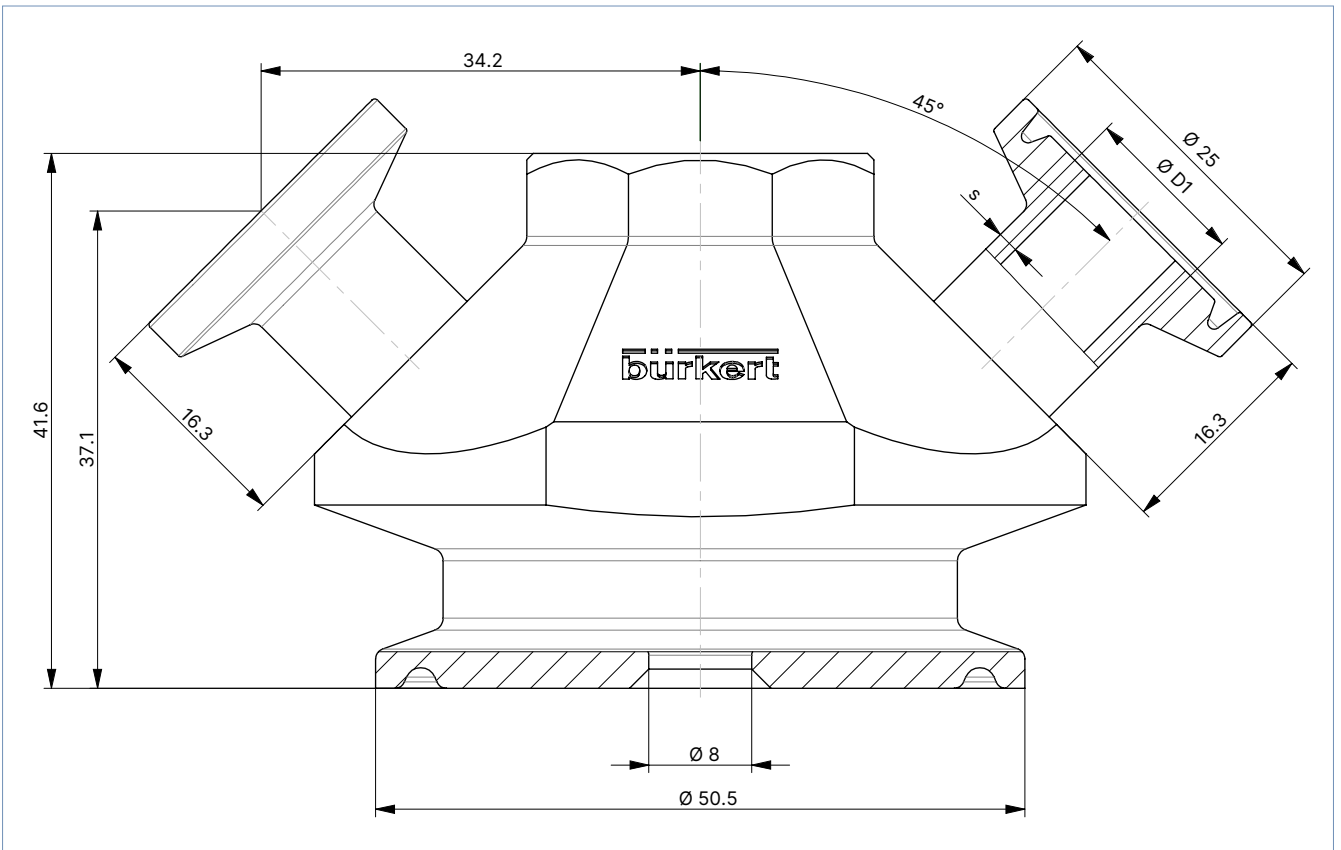
Note:

Dimensions in mm



DTS 1000593994 EN Version: | Status: RL (released | freigegeben | validé) printed: 09.01.2025





Ø D1	s
12.7	1.65

5. Performance specifications

Medium pressure

Bellows size DN	Actuator material	Operating pressure max. for seal material PTFE	
		Max. at 25 °C [bar]	Max. at 130 °C/60 min [bar]
8	Stainless steel/stainless steel	6	2.4

6. Ordering information

6.1. Bürkert eShop



Bürkert eShop – Easy ordering and quick delivery

You want to find your desired Bürkert product or spare part quickly and order directly? Our online shop is available for you 24/7. Sign up and enjoy all the benefits.

[Order online now](#)

6.2. Bürkert product filter



Bürkert product filter – Get quickly to the right product

You want to select products comfortably based on your technical requirements? Use the Bürkert product filter and find suitable articles for your application quickly and easily.

[Try out our product filter](#)

6.3. Ordering chart

For tank

Description	Variable code	Article no.
3260-D110 - 08.0-EE-VH-TR02-TG02 - 0000	ME06+NK52+NO14	93208785
3260-D110 - 08.0-EE-VH-TR02-TG02 - 0000	ME06+NK52+NO17	93208786
3260-D110 - 08.0-EE-VH-TR02-TG02-TG02	ME06+NK52+NO14	93208787
3260-D110 - 08.0-EE-VH-TR02-TG02-TG02	ME06+NK52+NO17	93208788
3260-D111 - 08.0-EE-VH-TR02-TG02 - 0000	ME06+NK52+NO14	93208696
3260-D111 - 08.0-EE-VH-TR02-TG02 - 0000	ME06+NK52+NO17	93208697
3260-D111 - 08.0-EE-VH-TR02-TG02-TG02	ME06+NK52+NO14	93208698
3260-D111 - 08.0-EE-VH-TR02-TG02-TG02	ME06+NK52+NO17	93208699
3260-D112 - 08.0-EE-VH-TR02-TG02 - 0000	ME06+NK52+NO14	93219602
3260-D112 - 08.0-EE-VH-TR02-TG02 - 0000	ME06+NK52+NO17	93219603
3260-D112 - 08.0-EE-VH-TR02-TG02-TG02	ME06+NK52+NO14	93219604
3260-D112 - 08.0-EE-VH-TR02-TG02-TG02	ME06+NK52+NO17	93219605
3260-D110 - 08.0-EE-VH-SF23-TG02-TG02	NK52+NO14	93219613

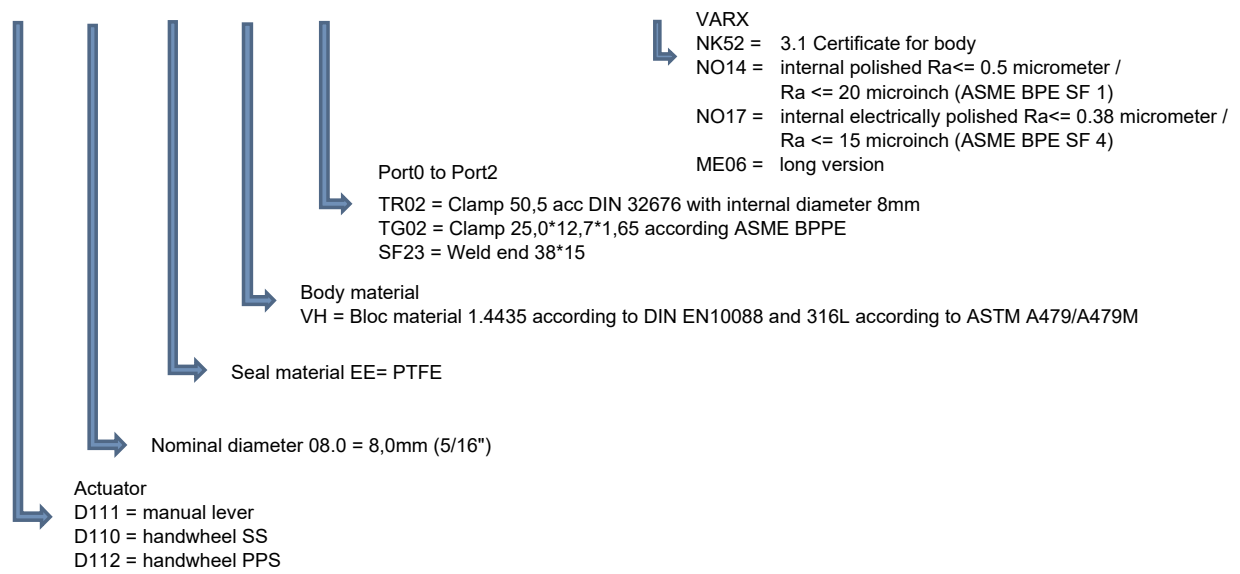
For pipes

Description	Variable code	Article no.
3260-D111 - 08.0-EE-VH-TR02-TG02 - 0000	NK52+NO14	93147801
3260-D111 - 08.0-EE-VH-TR02-TG02-TG02	NK52+NO14	93147803
3260-D111 - 08.0-EE-VH-TR02-TG02 - 0000	NK52+NO17	93147844
3260-D111 - 08.0-EE-VH-TR02-TG02-TG02	NK52+NO17	93208600
3260-D110 - 08.0-EE-VH-TR02-TG02 - 0000	NK52+NO14	93147800
3260-D110 - 08.0-EE-VH-TR02-TG02-TG02	NK52+NO14	93147802
3260-D110 - 08.0-EE-VH-TR02-TG02 - 0000	NK52+NO17	93208601
3260-D110 - 08.0-EE-VH-TR02-TG02-TG02	NK52+NO17	93208602
3260-D112 - 08.0-EE-VH-TR02-TG02 - 0000	NK52+NO14	93219606
3260-D112 - 08.0-EE-VH-TR02-TG02 - 0000	NK52+NO17	93219607
3260-D112 - 08.0-EE-VH-TR02-TG02-TG02	NK52+NO14	93219608
3260-D112 - 08.0-EE-VH-TR02-TG02-TG02	NK52+NO17	93219609

DTS 1000593994 EN Version: | Status: RL (released | freigegeben | validé) printed: 09.01.2025

Explanation of the ordering key

Type	Actuator	Nominal diameter	Seal material	Body material	Port0	Port1	Port2	VAR1	+	VAR2	+	VAR3	+	VAR4
3260	- XXXX	- 08.0	- EE	- VH	- TR02	- TG02	- _0000	XXXX	+	XXXX	+	XXXX	+	XXXX
3260	- XXXX	- 08.0	- EE	- VH	- TR02	- XXXX	- XXXX	XXXX	+	XXXX	+	XXXX	+	XXXX



DTS 1000593994 EN Version: | Status: RL (released | freigegeben | validé) printed: 09.01.2025