



## T-diaphragm valve with manually operated actuator

- Valve body and diaphragm are available in various materials and variants
- Wetted surfaces from  $Ra \leq 0.38 \mu\text{m} \dots \leq 1.6 \mu\text{m}$  (optionally electropolished)
- Available in all common connection sizes and variants

Product variants described in the data sheet may differ from the product presentation and description.

### Can be combined with

	<b>Type SV02</b> Diaphragms	▶
	<b>Type 2974</b> T-diaphragm valve with manually operated actuator (FullFunction)	▶
	<b>Type 2934</b> T-diaphragm valve with manually operated actuator (basic)	▶
	<b>Type 2103</b> 2/2-way diaphragm valve with pneumatic stainless steel actuator (Type ELEMENT) for decentralised automation	▶
	<b>Type 2036</b> Robolux multiway diaphragm valve, pneumatically operated	▶
	<b>Type 8098</b> FLOWave SAW flowmeter	▶

### Type description

The manually operated diaphragm valve Type 3234 consists of a manually operated actuator, a diaphragm and a T-valve body. The manual actuator, optionally with a plastic or stainless steel handwheel, ensures use in hygienic or aggressive ambient conditions. The flow-efficient valve bodies with little dead space enable high flow rates and a wide range of possible uses. The valve body and the diaphragm are available in all common materials and variants. The actuator has a compact, autoclavable design and is compatible with all other Bürkert diaphragm valves. An explosion-proof ATEX/IECEx device variant is available.

The diaphragm bonnet and the handwheel are optionally available in plastic or stainless steel and are equipped with an integrated optical position indicator. The manual actuator can be optionally equipped with a stroke limiter, sensors for position feedback and a locking function.

## Table of contents

<b>1. General technical data</b>	<b>3</b>
<hr/>	
<b>2. Approvals and conformities</b>	<b>4</b>
2.1. General notes .....	4
2.2. Conformity .....	4
2.3. Standards .....	4
2.4. Explosion protection .....	4
2.5. Foods and beverages/Hygiene .....	4
2.6. Others .....	5
<hr/>	
<b>3. Materials</b>	<b>5</b>
3.1. Bürkert resistApp .....	5
3.2. Material specifications .....	5
3.3. Example of available membrane materials .....	6
<hr/>	
<b>4. Dimensions</b>	<b>6</b>
4.1. Actuator .....	6
Handwheel .....	6
4.2. T-Body with welded connection .....	7
4.3. T-Body with clamp connection .....	11
<hr/>	
<b>5. Performance specifications</b>	<b>12</b>
5.1. Medium pressure .....	12
<hr/>	
<b>6. Ordering information</b>	<b>12</b>
6.1. Bürkert eShop .....	12
6.2. Bürkert product filter .....	12
6.3. Bürkert Product Enquiry Form .....	12

## 1. General technical data

Product properties	
Dimensions	Further information can be found in chapter "4. Dimensions" on page 6.
<b>Material<sup>1.)</sup></b>	
Block body (VH) <sup>1.)</sup>	Bloc material 1.4435 according to DIN EN 10088 and 316 I according to ASTM A479 / A479M
Block body (VI) <sup>1.)</sup>	Bloc material 1.4435 according to BN2 and 316L according to ASME BPE table DT-3
Diaphragm	EPDM (AD) <sup>1.)</sup> , PTFE/EPDM (EA) <sup>1.)</sup> , Advanced PTFE/EPDM (EU) <sup>1.)</sup> , laminate of GYLON® and EPDM (ER) <sup>1.)</sup>
Actuator (diaphragm bonnet/handwheel)	PPS/PPS (stainless steel/PPS or stainless steel/stainless steel)
Diaphragm size 8...50	
Actuator (diaphragm bonnet/handwheel)	Stainless steel/stainless steel
Diaphragm size 65...100	
Diaphragm size	8...100
<b>Standard surface quality<sup>2.)</sup></b>	
Block body (VH/VI) <sup>1.)</sup>	Internally electrically polished: Ra ≤ 0.38 µm (NO17) <sup>1.)</sup> (ASME BPE SF4 / DIN HE4) (externally Ra ≤ 1.6 µm) Internally mechanically polished: Ra ≤ 0.5 µm (NO14) <sup>1.)</sup> (ASME BPE SF1) (externally Ra ≤ 1.6 µm)
Medium data	
Process medium	Neutral gases and fluids, highly purified, sterile, aggressive or abrasive mediums (see <b>resistance chart</b> ▶)
<b>Medium temperature</b>	
EPDM (AD) <sup>1.)</sup>	-10...+143 °C (steam sterilisation + 150 °C for 60 min)
PTFE/EPDM (EA) <sup>1.)</sup>	-10...+130 °C (steam sterilisation + 140 °C for 60 min)
Advanced PTFE/EPDM (EU) <sup>1.)</sup>	-5...+143 °C (steam sterilisation + 150 °C for 60 min)
Laminate of GYLON® and EPDM (ER) <sup>1.)</sup>	-5...+130 °C (steam sterilisation + 140 °C for 60 min)
Process/Port connection & communication	
Nominal diameter (port connection)	DN 06...DN 100 (1/8" ... 4")
<b>Port connection for stainless steel body<sup>2.)</sup></b>	
Welded connection <sup>2.)</sup>	DIN EN ISO 1127 / ISO 4200 / DIN 11866 series B DIN 11850-2 / DIN 11866 series A / DIN EN 10357 series A ASME BPE / DIN 11866 series C
Clamp connection <sup>2.)</sup>	DIN 32676 series A (DIN pipe) DIN 32676 series B (ISO pipe) ASME BPE
Environment and installation	
Installation position	See <b>operating manual Type 3234</b> ▶
<b>Ambient temperature: actuator (diaphragm bonnet/handwheel)<sup>3.)</sup></b>	
PPS/PPS	0...+130 °C (short-term up to +150 °C)
Stainless steel/PPS	0...+130 °C (short-term up to +150 °C)
Stainless steel/stainless steel	-10...+140 °C (short-term up to +150 °C)

1.) This information is part of the product key (see "6.3. Bürkert Product Enquiry Form" on page 12).

2.) Further variants are available on request.

3.) With plastic housings, a temperature limitation due to housing material is possible.

## 2. Approvals and conformities

### 2.1. General notes

- The approvals and conformities listed below must be stated when making enquiries. This is the only way to ensure that the product complies with all required specifications.
- Not all available versions can be supplied with the below mentioned approvals or conformities.



### 2.2. Conformity

In accordance with the Declaration of Conformity, the product is compliant with the EU Directives.



### 2.3. Standards

The applied standards which are used to demonstrate compliance with the EU Directives are listed in the EU-Type Examination Certificate and/or the EU Declaration of Conformity.

### 2.4. Explosion protection

Approval	Description																
 	<p><b>Optional: Explosion protection (valid for the variable code PX51)</b> As a category 2 device suitable for zone 1/21 and zone 2/22.</p> <p><b>ATEX:</b> EPS 18 ATEX 2 008 X II 2G Ex h IIC T4...T2 Gb II 2D Ex h IIIC T135 °C...T300 °C Db</p> <p><b>IECEx:</b> IECEx EPS 18.0007X Ex h IIC T4...T2 Gb Ex h IIIC T135 °C...T300 °C Db</p> <table border="1"> <thead> <tr> <th>Temperature class</th> <th>T2</th> <th>T3</th> <th>T4</th> </tr> </thead> <tbody> <tr> <td>Permissible surface temperature</td> <td>+300 °C</td> <td>+200 °C</td> <td>+135 °C</td> </tr> <tr> <td>Ambient temperature</td> <td>-40...+130 °C</td> <td>-40...+130 °C</td> <td>-40...+100 °C</td> </tr> <tr> <td>Maximum medium temperature</td> <td>+285 °C</td> <td>+185 °C</td> <td>+125 °C</td> </tr> </tbody> </table>	Temperature class	T2	T3	T4	Permissible surface temperature	+300 °C	+200 °C	+135 °C	Ambient temperature	-40...+130 °C	-40...+130 °C	-40...+100 °C	Maximum medium temperature	+285 °C	+185 °C	+125 °C
Temperature class	T2	T3	T4														
Permissible surface temperature	+300 °C	+200 °C	+135 °C														
Ambient temperature	-40...+130 °C	-40...+130 °C	-40...+100 °C														
Maximum medium temperature	+285 °C	+185 °C	+125 °C														

### 2.5. Foods and beverages/Hygiene

Conformity	Description
	<p><b>3-A Sanitary Standards Inc. (valid for the variable code PE05)</b> The products comply with 3-A Sanitary Standards Inc (3-A SSI) as per certificate.</p>
<p><b>FDA</b></p>	<p><b>FDA – Code of Federal Regulations</b> The diaphragms made of EPDM (AD), PTFE/EPDM (EA), Advanced PTFE/EPDM (EU) and laminate of GYLON® and EPDM (ER) comply with the Code of Federal Regulations published by the FDA (Food and Drug Administration, USA).</p>
<p><b>USP</b></p>	<p><b>United States Pharmacopeial Convention (USP)</b> The diaphragms made of EPDM (AD), PTFE/EPDM (EA), Advanced PTFE/EPDM (EU) and laminate of GYLON® and EPDM (ER) are tested according to USP Class VI.</p>
	<p><b>EC Regulation 1935/2004 of the European Parliament and of the Council</b> The diaphragms made of EPDM (AD), PTFE/EPDM (EA), Advanced PTFE/EPDM (EU) and laminate of GYLON® and EPDM (ER) are suitable for use with food and beverages (according to EC Regulation 1935/2004/EC).</p>

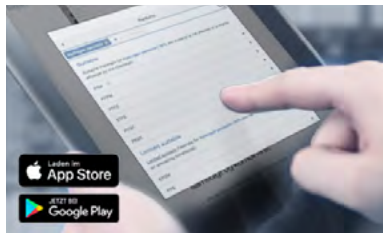
DTS 1000450619 EN Version: D Status: RL (released | freigegeben | validé) printed: 07.05.2024

## 2.6. Others

Conformity	Description
TA Luft	Technical instruction on air quality control (valid for the variable code PM01)

## 3. Materials

### 3.1. Bürkert resistApp



#### Bürkert resistApp – Chemical resistance chart

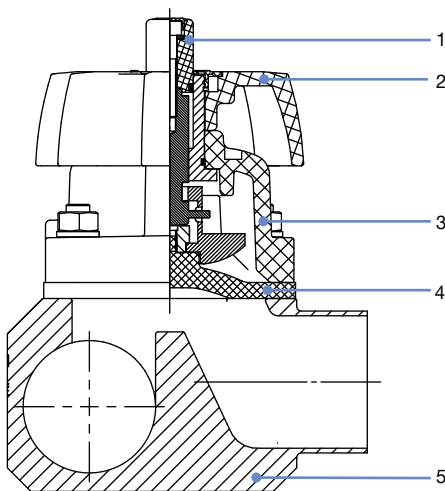
You want to ensure the reliability and durability of the materials in your individual application case? Verify your combination of media and materials on our website or in our resistApp.

[Start chemical resistance check](#)

### 3.2. Material specifications

**Note:**

Your product variant may differ from this illustration depending on the housing and interface options.



No.	Element	Material
1	Optical position indicator	Diaphragm size 15...50: polyoxymethylene Diaphragm size 65...100: stainless steel
2	Handwheel	Diaphragm size 8...50: polyphenylene sulphide PPS (stainless steel on request) Diaphragm size 65...100: stainless steel
3	Diaphragm bonnet/handwheel	Diaphragm size 8...50: polyphenylene sulphide PPS (stainless steel on request) Diaphragm size 65...100: stainless steel
4	Diaphragm	EPDM (AD), PTFE/EPDM (EA), Advanced PTFE/EPDM (EU), laminate of GYLON® and EPDM (ER)
5	Valve body	See "1. General technical data" on page 3

### 3.3. Example of available membrane materials

The diaphragms have been developed to meet the unique challenges of hygienic and sterile requirements. Bürkert offers diaphragms with precise material composition and high accuracy. Bürkert diaphragms are available in a wide range of materials which have been tested and proven in applications in the food and beverage, biotechnology, pharmaceutical and cosmetics industries. The diaphragms are tested during development and production to ensure reliability under difficult process conditions.



- EPDM (AD)
- PTFE/EPDM (EA)
- Advanced PTFE/EPDM (EU)
- Laminate of GYLON® and EPDM (ER)

For further information please refer to our flyer “Diaphragm competence for hygienic applications” on our [website](#) ▶.

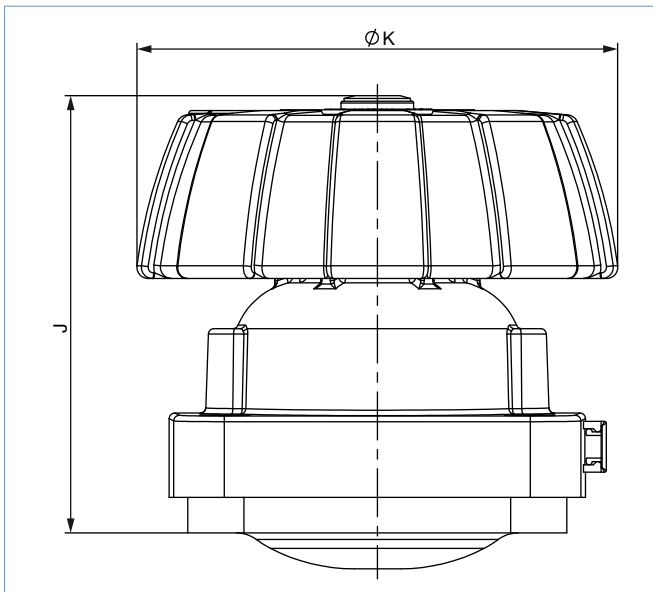
## 4. Dimensions

### 4.1. Actuator

#### Handwheel

**Note:**

Dimensions in mm

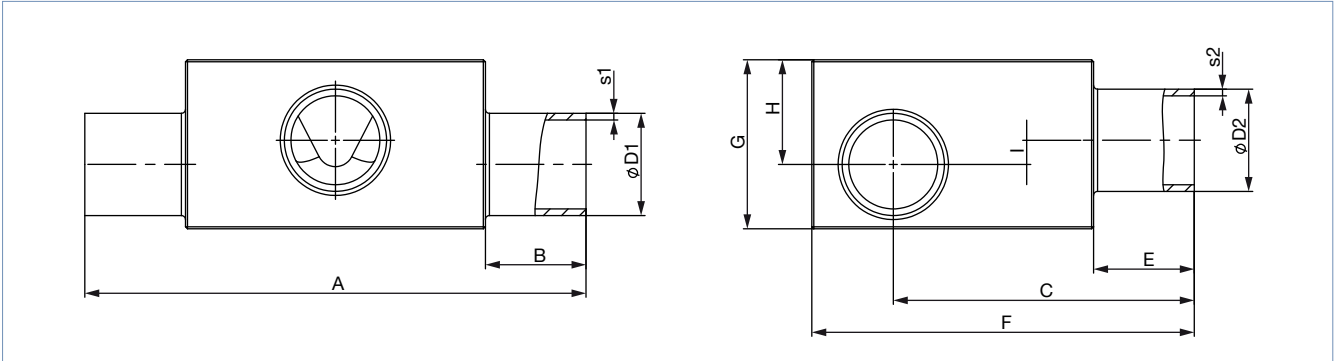


Diaphragm size	ØK	J
8	35	48
15	85	74
20	86	82
25	86	78
32	114	101
40	114	100
50	114	117
65	272	188
80	272	196
100	272	207

### 4.2. T-Body with welded connection

**Note:**

Dimensions in mm



Diaphragm size	Port 1 – Port 2 DN	ØD1	s1	ØD2	s2	A	B	C	E	F	G	H	I	Product key <sup>1)</sup> (Port 1 – Port 2)		
<b>DIN EN ISO 1127 / ISO 4200 / DIN 11866 series B</b>																
8	8...8	13.5	1.6	13.5	1.6	78.0	20	47.2	20	60	24	15	5.0	SA40-SA40		
	10...8	17.2		13.5		78.0		49.00		60	29	18	8.0	SA41-SA40		
	10...10	17.2		17.2		78.0		49.00		60	29	18	8.0	SA41-SA41		
	15...8	21.3		13.5		78.0		51.1		64	34	21	11.0	SA42-SA40		
	15...10	21.3		17.2		78.0		51.1		64	34	21	11.0	SA42-SA41		
	20...8	26.9		13.5		25		88.0		53.9	70	38	23	13.0	SA43-SA40	
	20...10	26.9		17.2				88.0		53.9	70	38	23	13.0	SA43-SA41	
	25...8	33.7		2.0				13.5		88.0	53.9	76	45	26	16.0	SA44-SA40
	25...10	33.7						17.2		88.0	53.9	76	45	26	16.0	SA44-SA41
	32...8	42.4						13.5		88.0	60.50	84	52	29	19.0	SA45-SA40
	32...10	42.4	17.2		88.0		61.20	84	52	29	19.0	SA45-SA41				
	40...8	48.3	13.5		88.0		64.2	90	57	31	21.0	SA46-SA40				
	40...10	48.3	17.2		88.0		64.2	90	57	31	20.0	SA46-SA41				
	50...8	60.3	13.5		30		98.0	70.2	102	66	34	24.0	SA47-SA40			
	50...10	60.3	17.2				98.0	70.2	102	66	34	24.0	SA47-SA41			
	65...8	76.1	13.5			98.0	78.1	118	80	40	30.0	SA48-SA40				
	80...8	88.9	2.3			13.5	98.0	84.2	131	92	46	36.0	SA49-SA40			
	80...10	88.9		17.2		98.0	84.2	131	92	46	35.0	SA49-SA41				

DTS 1000450619 EN Version: D Status: RL (released | freigegeben | valide) printed: 07.05.2024

DTS 1000450619 EN Version: D Status: RL (released | freigegeben | valide) printed: 07.05.2024

Diaphragm size	Port 1 – Port 2 DN	ØD1	s1	ØD2	s2	A	B	C	E	F	G	H	I	Product key <sup>1)</sup> (Port 1 – Port 2)		
15	8...8	13.5	1.6	13.5	1.6	93.0	20	52.05	20	70	27	17	4.5	SA40-SA40		
	10...8	17.2		13.5		93.0		53.9		70	31	18	4.5	SA41-SA40		
	10...10	17.2		17.2		93.0		54.9		70	28	16	2.5	SA41-SA41		
	15...8	21.3		13.5		93.0		57		71	34.5	21	7.5	SA42-SA40		
	15...15	21.3		21.3		93.0		56		71	35	21	6.5	SA42-SA42		
	20...8	26.9		13.5		103.0		25		59.8	76	41	25	11.5	SA43-SA40	
	20...10	26.9		17.2		103.0				59.8	78	42	25	11.5	SA43-SA41	
	20...15	26.9		21.3		103.0				59.8	78	42	25	11.5	SA43-SA42	
	25...10	33.7		2.0		17.2				103.0	63	83	48	28	14.5	SA44-SA41
	25...15	33.7				21.3				103.0	62.8	83	47	28	14.5	SA44-SA42
	32...8	42.4	13.5		103.0	67.1	91		56	32	18.5	SA45-SA40				
	32...10	42.4	17.2		103.0	67.1	91	56	32	18.5	SA45-SA41					
	32...15	42.4	21.3	103.0	67.1	91	56	32	18.5	SA45-SA42						
	40...8	48.3	13.5	103.0	30	70.1	97	63	35	21.5	SA46-SA40					
	40...10	48.3	17.2	103.0		70.1	97	63	35	21.5	SA46-SA41					
	40...15	48.3	21.3	103.0		70.1	97	63	35	21.5	SA46-SA42					
	50...8	60.3	13.5	113.0		76.1	109	72	38	24.5	SA47-SA40					
	50...10	60.3	17.2	113.0		76.1	109	72	38	24.5	SA47-SA41					
	50...15	60.3	21.3	113.0		76.1	109	72	38	24.5	SA47-SA42					
	65...8	76.1	13.5	113.0	2.3	84	125	85	44	30.5	SA48-SA40					
65...15	76.1	21.3	113.0	84		125	85	44	30.5	SA48-SA42						
80...8	88.9	13.5	113.0	90.1		140	99	52	38.5	SA49-SA40						
80...10	88.9	17.2	113.0	90.1		137	94	47	33.5	SA49-SA41						
80...15	88.9	21.3	113.0	90.1		137	94	47	33.5	SA49-SA42						
100...15	114.3	21.3	113.0	102.8		163	120	60	46.5	SA39-SA42						
20	20...20	26.9	1.6	26.9	1.6	114.0	25	70.3	25	87	40	24	6.0	SA43-SA43		
	25...20	33.7	2.0	26.9		114.0		73.3		94	48	28	10.0	SA44-SA43		
	32...20	42.4	26.9	114.0		78.6		102		57	33	15.0	SA45-SA43			
	40...20	48.3	26.9	114.0		80.6		108		63	35	17.0	SA46-SA43			
	50...20	60.3	26.9	124.0		30	87	120.8		72	39	21.0	SA47-SA43			
	65...20	76.1	26.9	124.0			94.5	136		86	45	27.0	SA48-SA43			
	80...20	88.9	2.3	26.9			124.0	100.6		148	94	47	29.0	SA49-SA43		
	100...20	114.3		26.9			124.0	113.3		173	120	60	42.0	SA39-SA43		
25	25...25	33.7	2.0	33.7	2.0	124.5	25	78.6	25	98	53	33	13.0	SA44-SA44		
	32...25	42.4		33.7		124.5		82.9		107	62	38	18.0	SA45-SA44		
	40...25	48.3		33.7		124.5		85.9		114	69	41	21.0	SA46-SA44		
	50...25	60.3		33.7		134.5	30	81.9		125	78	45	25.0	SA47-SA44		
	65...25	76.1		33.7		134.5		99.8		142	94	52	32.0	SA48-SA44		
	80...25	88.9	2.3	33.7		134.5	105.9	153		101	54	34.0	SA49-SA44			
	150...25	168.3	2.6	33.7		134.5	145.3	232		174	87	67.0	SA69-SA44			
40	32...32	42.4	2.0	42.4	2.0	152.0	25	98.00	25	122	62	38	9.4	SA45-SA45		
	40...32	48.3		152.0		100		128		68	41	12.4	SA46-SA45			
	40...40	48.3		152.0		100		128		68	41	12.4	SA46-SA46			
	50...32	60.3		42.4		162.0		30		106	140	82	48	19.4	SA47-SA45	
	50...40	60.3		48.3		162.0				106	140	82	48	19.4	SA47-SA46	
	65...40	76.1		48.3		162.0	113.9			155	97	55	26.4	SA48-SA46		
	80...32	88.9		2.3		42.4	162.0	120		168	108	60	31.4	SA49-SA45		
	80...40	88.9				48.3	162.0	120		168	108	60	31.4	SA49-SA46		
	100...32	114.3				42.4	162.0	132.7		193	129	68	39.4	SA39-SA45		
	100...40	114.3				48.3	162.0	132.7		193	129	68	39.4	SA39-SA46		
50	50...50	60.3	2.0	60.3	2.0	188.0	30	120.2	30	154	82	48	12.5	SA47-SA47		
	65...50	76.1		60.3		188.0		128.1		170	100	56	20.5	SA48-SA47		
	80...50	88.9		2.3		60.3		188.0		134.2	183	110	61	25.5	SA49-SA47	
	100...50	114.3		60.3		188.0		146.9		208	131	70	34.5	SA39-SA47		
	150...50	168.3		2.6		60.3		188.0		173.6	261	176	88	52.5	SA69-SA47	
65	65...65	76.1	2.0	76.1	2.0	210.0	30	144.4	30	186	97	55	12.9	SA48-SA48		
	80...65	88.9	2.3	76.1		210.0		148.7		197	111	63	20.5	SA49-SA48		
	100...65	114.3	76.1	210.0		161.4		222		135	74	31.5	SA39-SA48			



Diaphragm size	Port 1 – Port 2 DN	ØD1	s1	ØD2	s2	A	B	C	E	F	G	H	I	Product key <sup>1)</sup> (Port 1 – Port 2)
80	80...80	88.9	2.3	88.9	2.3	255.0	30	163.1	30	212	119	71	20.0	SA49-SA49
	100...80	114.3		88.9		255.0		177.8		239	144	83	32.0	SA39-SA49
100	100	114.3	2.3	114.3	2.3	290.0	30	209.1	30	270	133	72	8.5	SA39-SA39
<b>DIN 11850-2 / DIN 11866 series A / DIN EN 10357 series A</b>														
8	10...10	13.0	1.5	13.0	1.5	78.0	20	47.0	20	60	24	15	5.0	SD40-SD40
	20...10	23.0		13.0		88.0	25	52.0		66	36	22	12.0	SD43-SD40
15	15...15	19.0	1.5	19.0	1.5	93.0	20	55.9	20	70	33	20	6.5	SD42-SD42
	20...15	23.0		19.0		103.0		57.9		72	37	22.5	9	SD43-SD42
	25...15	29.0		19.0		103.0	25	60.9		78	43	26	12.5	SD44-SD42
	32...15	35.0		19.0		103.0		63.9		84	49	29	15.5	SD45-SD42
	40...15	41.0		19.0		103.0		66.9		91	56	31	17.5	SD46-SD42
	50...15	53.0		19.0		113.0	30	72.9		102	65	36	22.5	SD47-SD42
20	20...20	23.0	1.5	23.0	1.5	114.0	25	68.7	25	85	36	21	-	SD43-SD43
	32...20	35.0		23.0		114.0		74.4		95	50	29	11.0	SD45-SD43
	40...20	41.0		23.0		114.0		77.4		101	56	32	14.0	SD46-SD43
25	25...25	29.0	1.5	29.0	1.5	124.5	25	76.7	25	98	48	30	10.0	SD44-SD44
	40...25	41.0		29.0		124.5		82.7		106	61	38	18.0	SD46-SD44
	50...25	53.0		29.0		134.5	30	88.7		120	73	44	24.0	SD47-SD44
40	32...32	35.0	1.5	35.0	1.5	152.0	25	95	25	119	52	32	9	SD45-SD45
	40...40	41.0		41.0		152.0		97.3		121	62	37	8.4	SD46-SD46
	50...40	53.0		41.0		162.0	30	102.8		133	75	45	16.4	SD47-SD46
50	50...50	53.0	1.5	53.0	1.5	188.0	30	117.0	30	147	74	44	8.5	SD47-SD47
65	65...65	70.0	2.0	70.0	2.0	210.0	30	142.0	30	179	89	52	14.0	SD48-SD48
	80...65	85.0		70.0		210.0		149.5		194	104	59.5	21.5	SD49-SD48
	100...65	104.0		70.0		210.0		-		-	-	-	-	SD50-SD48
80	80...80	85.0	2.0	85.0	2.0	255.0	30	45.0	30	208	112	67	22.0	SD49-SD49
	100...80	104.0		85.0		250.0		172.1		227	132	77	32.0	SD50-SD49
100	100	104.0	2.0	104.0	2.0	293.0	30	211.5	30	267	125	70	11.0	SD50-SD50
<b>ASME BPE / DIN 11866 series C</b>														
8	20...8	19.05	1.65	6.35	0.89	88.0	25	49.90	20	61	32	20	10.0	SA93-SA90
	25...10	25.40		9.53		88.0	25	53.00		68	38	23	13.0	SODF-SA91
	40...8	38.10		6.35		88.0	25	59.40		80	49	28	18.0	SODH-SA90
	50...8	50.80		6.35		98.0	30	65.80		93	59	32	22.0	SODI-SA90
	65...8	63.50		6.35		98.0		72.10		106	70	36	26.0	SODJ-SA90
15	15...15	12.70	1.65	12.70	1.65	93.0	20	53.20	20	70	27	13.5	-	SA92-SA92
	20...15	19.05		12.70		103.0		55.80		70	31	18.5	5.0	SA93-SA92
	25...15	25.40		12.70		103.0		59.00		75	40	24	10.5	SODF-SA92
	40...15	38.10		12.70		103.0	25	65.30		88	54	31	17.5	SODH-SA92
	50...15	50.80		12.70		113.0	30	71.70		100	64	35	21.5	SODI-SA92
	65...15	63.50		12.70		113.0		78.00		113	73	38	24.5	SODJ-SA92
	80...15	76.20		12.70		113.0		84.40		125	84	43	29.5	SODK-SA92
20	20...20	19.05	1.65	19.05	1.65	114	25	66.30	25	85	36	18	-	SA93-SA93
	25...20	25.40		19.05		114		69.20		88	40	24	6.0	SODF-SA93
	40...20	38.10		19.05		114		75.80		98	53	31	13.0	SODH-SA93
	50...20	50.80		19.05		124	30	82.20		111	66	37	19.0	SODI-SA93
	65...20	63.50		19.05		124		88.50		123	75	40	22.0	SODJ-SA93
	80...20	76.20		19.05		124		94.90		136	85	44	26.0	SODK-SA93
	100...20	101.60	2.11	19.05		124		107.10		161	108	54	36.0	SODL-SA93
25	25...25	25.40	1.65	25.40	1.65	124.5	25	74.8	25	95	42	26	6.0	SODF-SODF
	40...25	38.10		25.40		124.5		81.1		103	58	36	16.0	SODH-SODF
	50...25	50.80		25.40		134.5	30	87.5		120	75	44	24.0	SODI-SODF
	65...25	63.50		25.40		134.5		93.8		129	82	47	27.0	SODJ-SODF
	80...25	76.20		25.40		134.5		100.15		142	94	52	32.0	SODK-SODF
40	40...40	38.10	1.65	38.10	1.65	152.0	25	99.60	25	121	58	35	6.4	SODH-SODH
	50...40	50.80		38.10		162.0	30	101.6		131	72	43	14.4	SODI-SODH
	65...40	63.50		38.10		162.0		107.90		143	85	50	21.4	SODJ-SODH
	80...40	76.20		38.10		162.0		114.3		156	98	56	27.4	SODK-SODH

DTS 1000450619 EN Version: D Status: RL (released | freigegeben | valide) printed: 07.05.2024

Diaphragm size	Port 1 – Port 2 DN	ØD1	s1	ØD2	s2	A	B	C	E	F	G	H	I	Product key <sup>1.)</sup> (Port 1 – Port 2)
50	50...50	50.80	1.65	50.80	1.65	188.0	30	115.8	30	145	71	42	6.5	SODI-SODI
	65...50	63.50		50.80		188.0		122.10		157	85	50	14.5	SODJ-SODI
	65...65	63.50		63.50		188.0		122.10		158	86	50	14.5	SODJ-SODJ
	80...50	76.20		50.80		188.0		128.5		169	98	56	20.5	SODK-SODI
	100...65	101.60	2.11	63.50	188.0	140.7	195	120	66	30.5	SODL-SODJ			
65	65...65	63.50	1.65	63.50	1.65	210.0	30	136.6	30	172	84	49	6.5	SODJ-SODJ
	80...65	76.2	63.50	210.0		145.0		187		99	57	14.5	SODK-SODJ	
	100...65	101.6	2.11	63.50		210.0		155.2		210	120	66	23.5	SODL-SODJ
80	80...80	76.2	1.65	76.2	1.65	255.0	30	157.35	30	199	106	64	6.0	SODK-SODK
	100...80	101.6	2.11	76.2		255.0		169.6		224	131	77	26.0	SODL-SODK
100	100	101.6	2.11	101.6	2.11	290.0	30	207.0	30	260	120	67	10.0	SODL-SODL
<b>SMS 3008</b>														
25	25...25	25.0	1.2	25.0	1.2	124.5	25	75.0	25	95	43	27	7.0	SA60-SA60
	40...25	38.0		25.0		124.5		81.5		103	58	36	16.0	SA62-SA60
	50...25	51.0		25.0		134.5		88.0		118	72	42	22.0	SA63-SA60
40	40...40	38.0	1.2	38.0	1.2	152.0	25	95.6	25	121	58	35	6.4	SA62-SA62
	50...40	51.0		38.0		162.0		102.1		131	73	44	15.4	SA63-SA62
50	50...50	51.0	1.2	51.0	1.2	188.0	30	120.2	30	154	82	48	2.5	SA63-SA63
<b>DIN 11850-0</b>														
8	04...04	6.0	1.0	6.0	1.0	78.0	20	44.0	20	60	15	6.5	0.0	SC40-SC40
	06...06	8.0		8.0		75.0		17.5		46.5	60	13	7	0.0
	40...04	40.0	1.5	6.0	1.5	88.0	25	60.5	25	83	51	29	19.0	SC47-SC40
	40...8	40.0		10.0		88.0		60.5		83	51	29	19.0	SC47-SC42
	50...04	52.0		6.0		98.0		30		66.5	95	60	32	22.0
15	50...15	52.0	1.5	18.0	1.5	113.0	30	72.4	20	101	65	36	22.5	SC48-SC43
25	25...25	28.0	1.5	28.0	1.5	124.5	25	76.2	25	95	46	29	9.0	SC45-SC45
	50...25	52.0		28.0		134.5		30		91.2	120	71	42	22.0
40	25...32	28.0	1.5	34.0	1.5	152.0	25	90.3	25	122	58	32	3.4	SC45-SC46
	50...32	52.0		34.0		162.0		30		102.3	132	75	45	16.4
50	50...50	52.0	1.5	52.0	1.5	188.0	30	116.5	30	147	73	43	7.5	SC48-SC48
65	65...65	70.0	2.0	70.0	2.0	210.0	30	142.0	30	179	89	52	14.0	SD48-SD48
	80...65	85.0		70.0		210.0		149.5		194	104	59.5	21.5	SD49-SD48
	100...65	104.0		70.0		210.0		-		-	-	-	-	SD50-SD48
80	80...80	85.0	2.0	85.0	2.0	255.0	30	45.0	30	208	112	67	22.0	SD49-SD49
	100...80	104.0		85.0		250.0		172.1		227	132	77	32.0	SD50-SD49
100	100	104.0	2.0	104.0	2.0	293.0	30	211.5	30	267	125	70	11.0	SD50-SD50

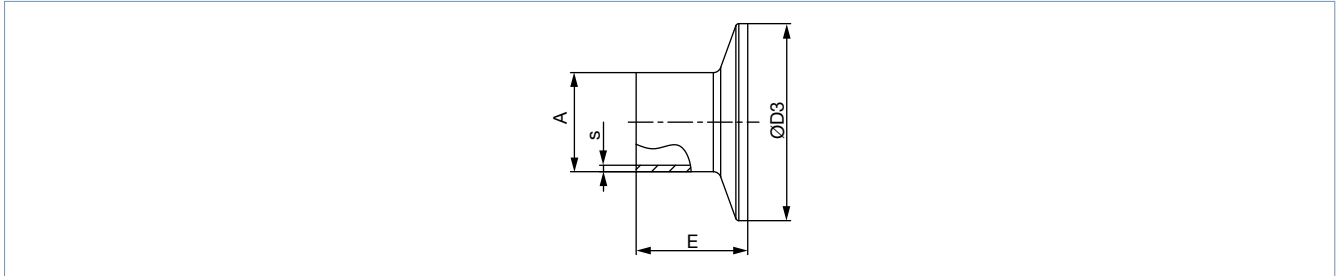
1.) This information is part of the product key (see "6.3. Bürkert Product Enquiry Form" on page 12).

DTS 1000450619 EN Version: D Status: RL (released | freigegeben | valide) printed: 07.05.2024

### 4.3. T-Body with clamp connection

**Note:**

The clamp dimensions must be added to the welded connection dimensions.



Port connection		A	s	D3	E	Product key <sup>1.)</sup>
[mm]	[inch]					
<b>DIN 32676 series A (DIN pipe)</b>						
10	-	18	1.5	34	18	TD41
15	-	19	1.5	34	18	TD42
20	-	23	1.5	34	18	TD43
25	-	29	1.5	50.5	21.5	TD44
32	-	35	1.5	50.5	21.5	TD45
40	-	41	1.5	50.5	21.5	TD46
50	-	53	1.5	64	21.5	TD47
65	-	70	2	91	28	TD48
80	-	85	2	106	28	TD49
100	-	104	2	119	28	TD50
<b>DIN 32676 series B (ISO pipe)</b>						
8	-	13.5	1.6	25	28.6	TC40
8	-	13.5	1.6	34.0 <sup>2.)</sup>	28.6	TC51 <sup>2.)</sup>
10	-	17.2	1.6	34.0 <sup>2.)</sup>	28.6	TC41 <sup>2.)</sup>
15	-	21.3	1.6	34.0 <sup>2.)</sup>	28.6	TC42 <sup>2.)</sup>
15	-	21.3	1.6	50.5	28.6	TC52
20	-	26.9	1.6	50.5	28.6	TC43
25	-	33.7	2	50.5	28.6	TC44
32	-	42.4	2	50.5 <sup>2.)</sup>	28.6	TC45 <sup>2.)</sup>
40	-	48.3	2	64	28.6	TC46
50	-	60.3	2	77.5	28.6	TC47
65	-	76.1	2	91	28.6	TC48
80	-	88.9	2.3	106	28.6	TC49
100	-	114.3	2.3	130	28.6	TC50
<b>ASME BPE</b>						
8	¼"	6.35	0.89	25	28.6	TG50
10	⅜"	9.53	0.89	25	28.6	TG01
15	½"	12.7	1.65	25	28.6	TG02
20	¾"	19.05	1.65	25	28.6	TG03
25	1"	25.4	1.65	50.5	28.6	TG04
40	1½"	38.1	1.65	25	28.6	TG05
50	2"	50.8	1.65	64	28.6	TG06
65	2½"	63.5	1.65	77.5	28.6	TG07
80	3"	76.2	1.65	91	28.6	TG08
100	4"	101.6	2.11	119	28.6	TG09

1.) This information is part of the product key (see "6.3. Bürkert Product Enquiry Form" on page 12).

2.) Deviating from standard because of a different outer clamp diameter


## 5. Performance specifications

### 5.1. Medium pressure

Diaphragm size	Actuator material	Maximum operating pressure for seal material EPD, PTFE/EPDM, advanced PTFE/EPDM, laminated GYLON®/EPDM [bar]
<b>DN</b>		
8...80	Stainless steel/stainless steel	10
100	Stainless steel/stainless steel	6
8...50	Stainless steel/PPS	10
8...40	PPS/PPS	10
50	PPS/PPS	7

## 6. Ordering information

### 6.1. Bürkert eShop




**Bürkert eShop – Easy ordering and quick delivery**

You want to find your desired Bürkert product or spare part quickly and order directly? Our online shop is available for you 24/7. Sign up and enjoy all the benefits.

[Order online now](#)

### 6.2. Bürkert product filter



**Bürkert product filter – Get quickly to the right product**

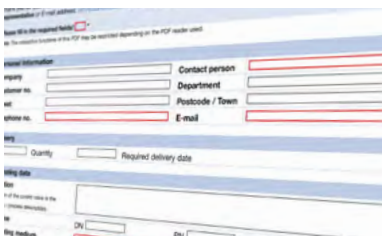
You want to select products comfortably based on your technical requirements? Use the Bürkert product filter and find suitable articles for your application quickly and easily.

[Try out our product filter](#)

### 6.3. Bürkert Product Enquiry Form

**Note:**

Please see our Product Enquiry Form for a full explanation of our specification key.



**Bürkert Product Enquiry Form – Your enquiry quickly and compactly**

Would you like to make a specific product enquiry based on your technical requirements? Use our Product Enquiry Form for this purpose. There you will find all the relevant information for your Bürkert contact. This will enable us to provide you with the best possible advice.

[Fill out the form now](#)

S

DTS 1000450619 EN Version: D Status: RL (released | freigegeben | valide) printed: 07.05.2024