










Electric Rotary Actuator - On/Off and Control

- Direct mounting on quarter-turn valves
- Manual override standard
- Corrosion resistant
- Adjustable limit switches
- Multi-voltage version

Product variants described in the data sheet may differ from the product presentation and description.

Can be combined with

	Type 2654 2/2-way ball valve, 3-piece	▶
	Type 2651 2/2-way or 3/2-way ball valve, 2-piece	▶
	Type 2657 Ball valve, manually operated	▶
	Type 2671 Butterfly valve	▶
	Type 2674 Plastic butterfly valve	▶
	Type TKU001 2/2 way compact flange ball valve	▶
	Type 8804 Ball valve / butterfly valve with electrical rotary actuator	▶

Type description

The electrical rotary actuator Type 3005 is a compact and powerful actuator system which provides a long service life. Materials and components have been chosen for maintenance-free operation and ensure low thermal loading on the actuator. The modular design offers many options such as extra limit switches or potentiometers to be added to the basic unit.

Table of contents

1. General technical data	3
<hr/>	
2. Approvals and conformities	4
2.1. General notes	4
2.2. Conformity	4
2.3. Standards	4
2.4. North America (USA/Canada)	4
<hr/>	
3. Materials	4
3.1. Bürkert resistApp	4
<hr/>	
4. Dimensions	5
4.1. Motor 25, 45, 75 Nm	5
4.2. Motor 100, 150, 300 Nm	6
<hr/>	
5. Device/Process connections	7
5.1. Electrical connections	7
Standard actuators for use in On/Off mode and 3-point mode	7
Control variant with 4...20 mA, 0...20 mA or 0...10 V programmable analogue signal input and output	8
<hr/>	
6. Product design and assembly	9
6.1. Product assembly	9
<hr/>	
7. Ordering information	10
7.1. Bürkert eShop	10
7.2. Bürkert product filter	10
7.3. Ordering chart	10
On/Off variant	10
Control variant with 4...20 mA, 0...20 mA or 0...10 V programmable analogue signal input and output	11
On/Off variant with emergency reset via integrated battery: fail-to-close/open adjustable	11
7.4. Ordering chart accessories	11
Reducing sleeves	11
Spare battery for actuators with electronic emergency reset	12
Other accessories	12

1. General technical data

Product properties	
Dimensions	Further information can be found in chapter "4. Dimensions" on page 5.
Material	
Cover	Nylon
Body	Epoxy-coated aluminium
Axis	Stainless steel
Screws	Stainless steel
Gear	Zinc-plated steel
Weight	
Motor 25, 45, 75 Nm	3.5 kg
Motor 100, 150, 300 Nm	5.5 kg
Manual override	
Motor 25, 45, 75 Nm	Uncoupling by gearbox-coupled rotary knob
Motor 100, 150, 300 Nm	Via handwheel
Mechanical travel stops	Standard
Position indicator	Standard
Performance data	
Torque	25...300 Nm (600, 1000, 1500, 2400 Nm on request) Further information can be found in chapter "7.3. Ordering chart" on page 10.
Rotation angle	90° (± 5°) (special angle on request)
Rotation time (90°)	7...60 s Further information can be found in chapter "7.3. Ordering chart" on page 10.
Options	<ul style="list-style-type: none"> • Rotation angle 180° or 270° • 3-position actuator (180°) • Position feedback of the On/Off actuator variant via: <ul style="list-style-type: none"> – Potentiometer (100, 1000, 5000, 10000 Ω) – Analogue signal 4...20 mA • Fail-safe option • Auxiliary limit switches
Electrical data	
Operating voltage	15...30 V AC, 50...60 Hz, 12...48 V DC 100...240 V AC, 50...60 Hz, 100...350 V DC
Limit switches	4 adjustable (2 for the motor and 2 additional for feedback), max. 250 V AC/5 A
Power consumption	45 W
Voltage tolerance	± 10 %
Linear actuator with analogue input and analogue output signal	
Input	0...10 V / 4...20 mA / 0...20 mA
Output	0...10 V / 4...20 mA / 0...20 mA
Motor protection	Electronic torque limiter
Duty cycle	At maximum torque: 50 % of the time Control actuator: 50 % of maximum torque
Heating resistor	10 W
Process/Port connection & communication	
Electrical connection	2 cable glands according to ISO M20
Armature-side interface according to ISO 5211	
Motor 25, 45, 75 Nm	F05/F07
Motor 100, 150, 300 Nm	F07/F10
Armature-side interface: double square	
Motor 25 Nm	Double square 17 mm, reducing sleeve double square 17/11 mm included
Motor 45, 75 Nm	Double square 17 mm, reducing sleeve double square 17/14 mm included
Motor 100, 150, 300 Nm	Double square 22 mm, reducing sleeve double square 22/17 mm included
Approvals and conformities	
Degree of protection	IP68 if mounted with cable plug
North America (USA/Canada)	Further information can be found in chapter "2.4. North America (USA/Canada)" on page 4.

Ambient temperature

For actuator Type 3005 Standard -20 °C...+70 °C
 For actuator Type 3005 with electronic emergency reset -20 °C...+40 °C

Environment and installation

Installation position	Do not install the actuator upside down, maximum installation angle: 90°
Installation site	Up to max. 2000 m altitude

2. Approvals and conformities

2.1. General notes

- The approvals and conformities listed below must be stated when making enquiries. This is the only way to ensure that the product complies with all required specifications.
- Not all available variants can be supplied with the below mentioned approvals or conformities.

2.2. Conformity

In accordance with the Declaration of Conformity, the product is compliant with the EU Directives.

2.3. Standards

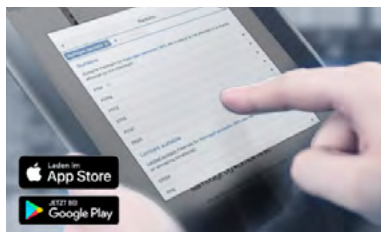
The applied standards which are used to demonstrate compliance with the EU Directives are listed in the EU-Type Examination Certificate and/or the EU Declaration of Conformity.

2.4. North America (USA/Canada)

Approval	Description
	<p>Optional: CSA for Canada and the USA The products are CSA-approved for Canada and the USA according to:</p> <ul style="list-style-type: none"> • UL 429 - Electrically operated valves • CAN/CSA-C22.2 No. 139 - Electrically operated valves

3. Materials

3.1. Bürkert resistApp



Bürkert resistApp – Chemical resistance chart

You want to ensure the reliability and durability of the materials in your individual application case? Verify your combination of media and materials on our website or in our resistApp.

[Start chemical resistance check](#)

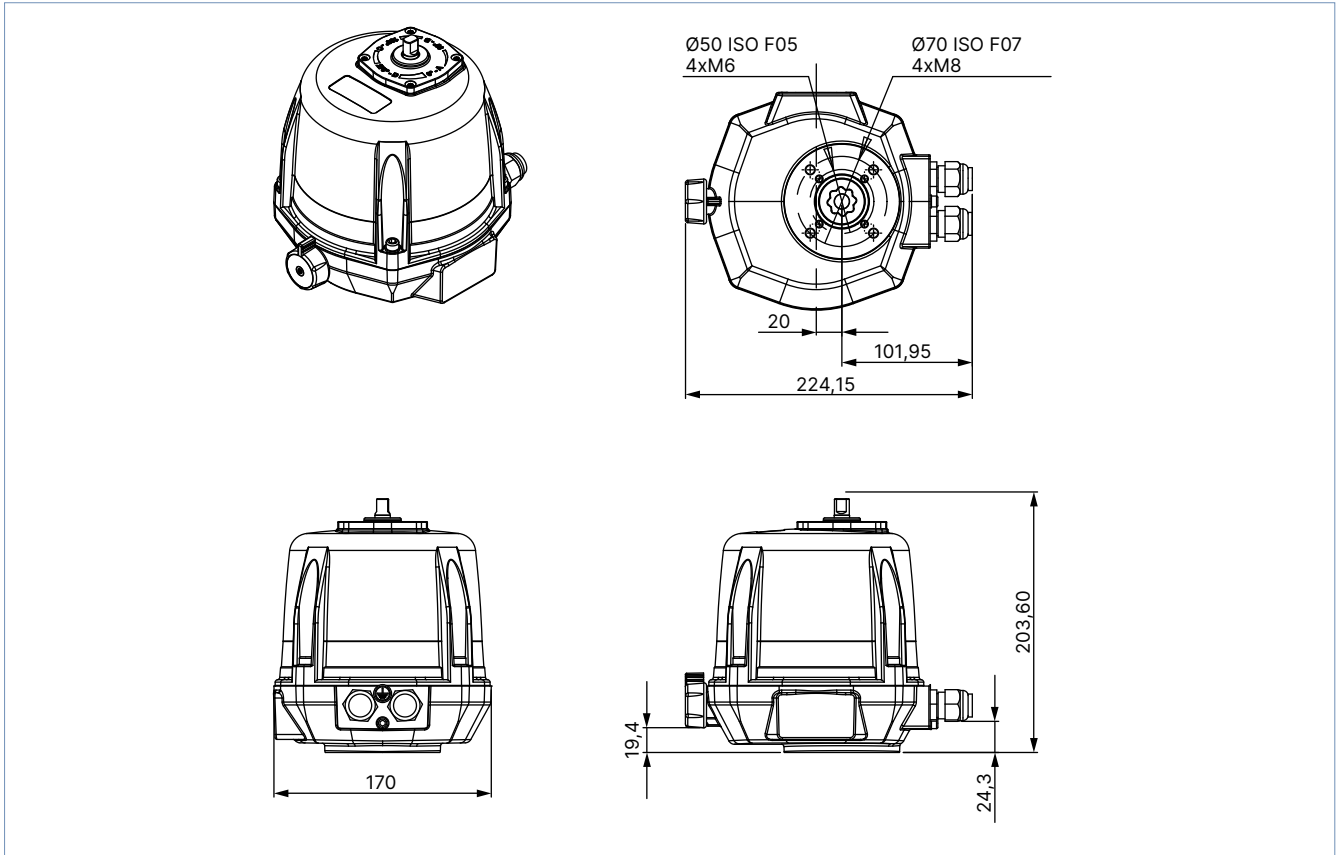
DTS 1000097019 EN Version: Y Status: RL (released | freigegeben | validé) printed: 28.01.2025

4. Dimensions

4.1. Motor 25, 45, 75 Nm

Note:

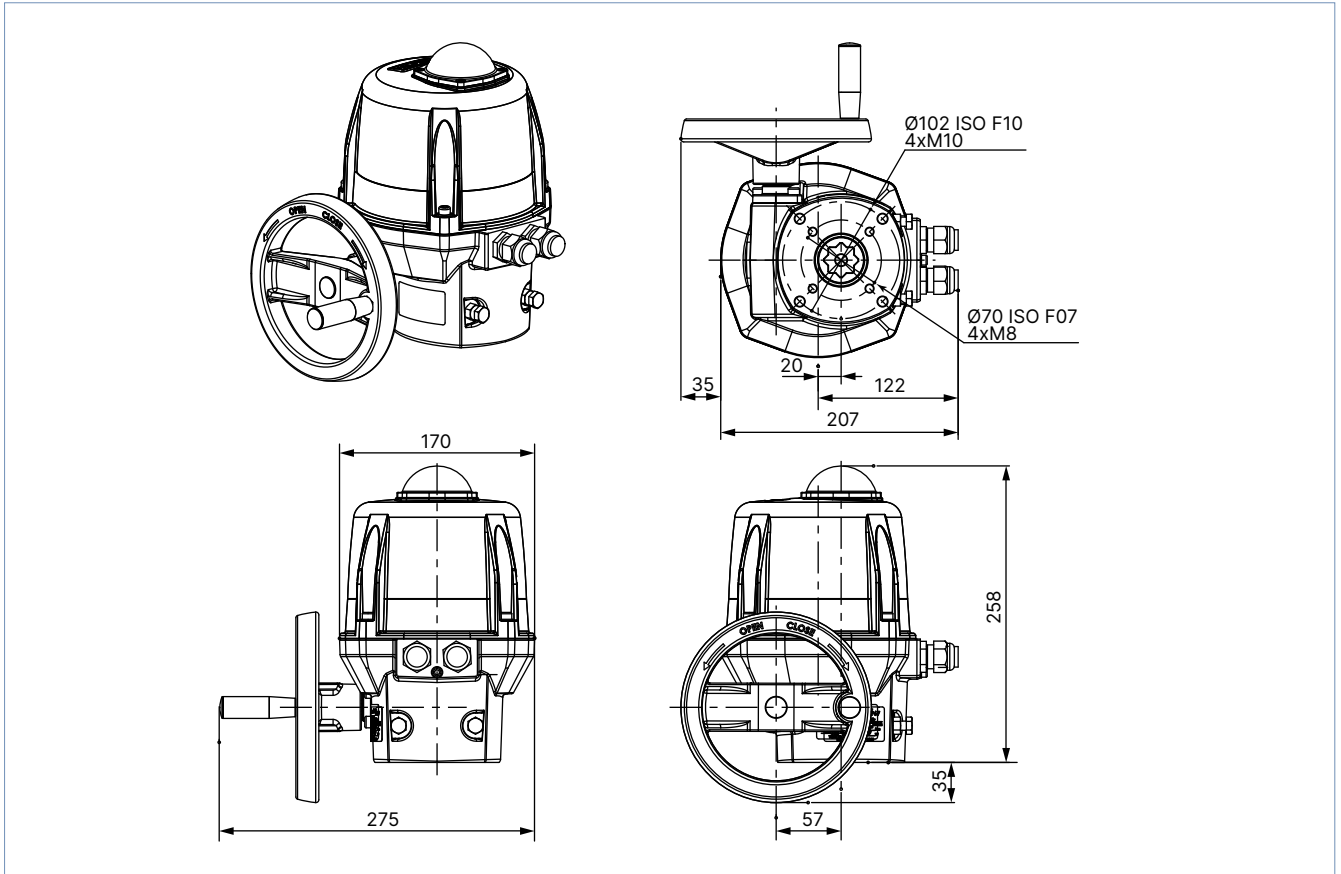
Dimensions in mm



4.2. Motor 100, 150, 300 Nm

Note:

Dimensions in mm

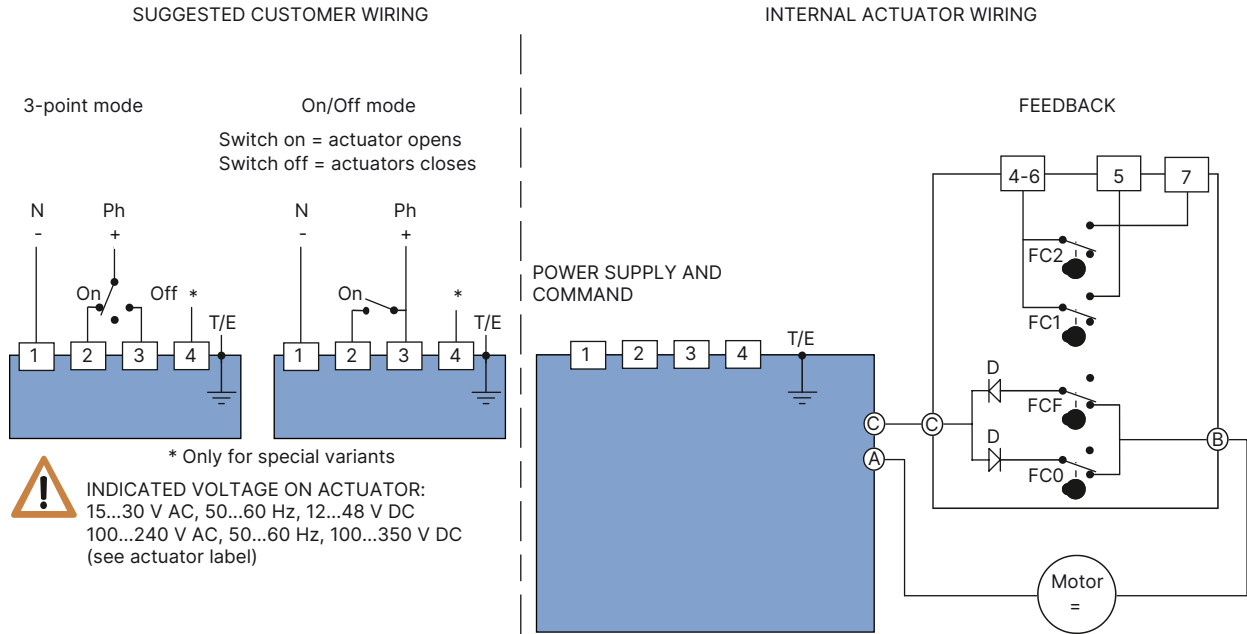


DTS 1000097019 EN Version: Y Status: RL (released | freigegeben | validé) printed: 28.01.2025

5. Device/Process connections

5.1. Electrical connections

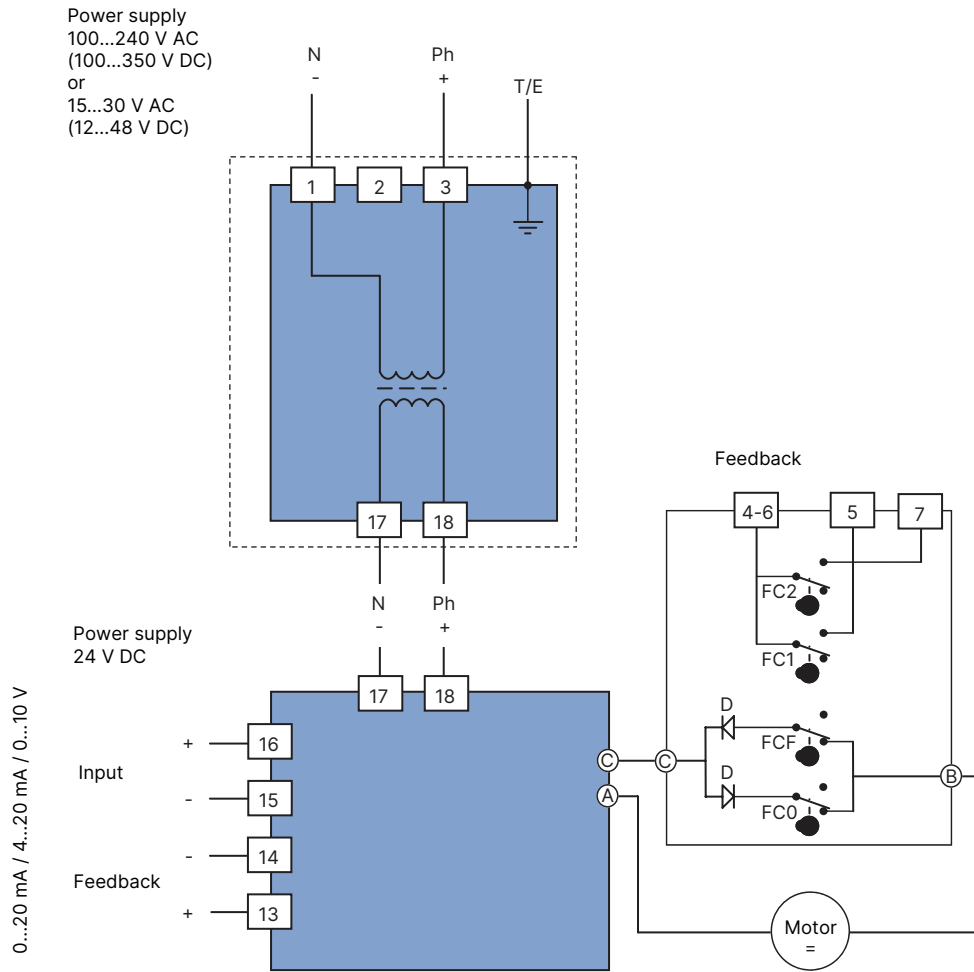
Standard actuators for use in On/Off mode and 3-point mode



Symbol	Description
FCO	Limit switch OPEN
FCF	Limit switch CLOSED
FC1	Auxiliary limit switch 1
FC2	Auxiliary limit switch 2

DTS 1000097019 EN Version: Y Status: RL (released | freigegeben | valide) printed: 28.01.2025

Control variant with 4...20 mA, 0...20 mA or 0...10 V programmable analogue signal input and output



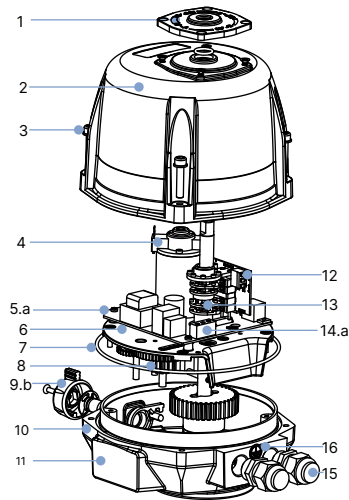
Symbol	Description
FCO	Limit switch OPEN
FCF	Limit switch CLOSED
FC1	Auxiliary limit switch 1
FC2	Auxiliary limit switch 2

DTS 1000097019 EN Version: Y Status: RL (released | freigegeben | validé) printed: 28.01.2025

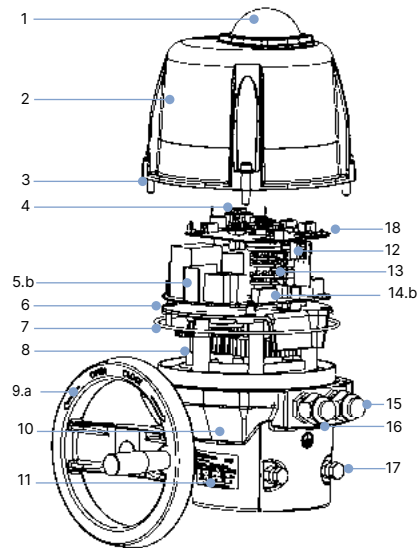
6. Product design and assembly

6.1. Product assembly

Motor 25, 45, 75 Nm



Motor 100, 150, 300 Nm




No.	Element
1	Position indicator
2	Cover
3	Stainless steel screws
4	Motor
5a	Pilot and power supply card
5b	Power supply card
6	Gear plate
7	O-ring
8	Gear
9.a ¹⁾	Clutch wheel for manual override
9.b ¹⁾	Hand wheel
10	Housing
11	Type label
12	Auxiliary limit switch terminal
13	Switching cams
14.a ¹⁾	Pilot and power supply card
14.b ¹⁾	Power supply terminal strip
15	Cable gland according to ISO M20
16	Earthing screw
17	Mechanical travel stops
18	Positioning card (only with control actuator)

1.) Only for multi-voltage variant

7. Ordering information

7.1. Bürkert eShop




Bürkert eShop – Easy ordering and quick delivery

You want to find your desired Bürkert product or spare part quickly and order directly? Our online shop is available for you 24/7. Sign up and enjoy all the benefits.

Order online now

7.2. Bürkert product filter



Bürkert product filter – Get quickly to the right product

You want to select products comfortably based on your technical requirements? Use the Bürkert product filter and find suitable articles for your application quickly and easily.

Try out our product filter

7.3. Ordering chart

On/Off variant

Torque ¹⁾	Double square	Reducing sleeve double square	Interface according to ISO 5211	90° rotation time ²⁾	Power consumption	Voltage/frequency	Article no.
[Nm]	[mm]	[mm]		[s]	[W]	[V/Hz]	
25	14	17/11	F05/F07	7	45	100...240 V AC, 50...60 Hz, 100...350 V DC	207170
						15...30 V AC, 50...60 Hz, 12...48 V DC	180864
45		17/14	F05/F07	15	45	100...240 V AC, 50...60 Hz, 100...350 V DC	189194
						15...30 V AC, 50...60 Hz, 12...48 V DC	189199
75	22	22/17	F07/F10	20	45	100...240 V AC, 50...60 Hz, 100...350 V DC	203454
						15...30 V AC, 50...60 Hz, 12...48 V DC	216012
100		15		45	100...240 V AC, 50...60 Hz, 100...350 V DC	205547	
					15...30 V AC, 50...60 Hz, 12...48 V DC	224608	
150		30		45	100...240 V AC, 50...60 Hz, 100...350 V DC	181303	
					15...30 V AC, 50...60 Hz, 12...48 V DC	181304	
300	60	45	100...240 V AC, 50...60 Hz, 100...350 V DC	181305			
			15...30 V AC, 50...60 Hz, 12...48 V DC	181306			

1.) For the actuator choice, we recommend a safety torque equal to 1.5 times of the valve maximal torque.
 2.) Other rotation angels are available on request.

DTS 1000097019 EN Version: Y Status: RL (released | freigegeben | validé) printed: 28.01.2025

Control variant with 4...20 mA, 0...20 mA or 0...10 V programmable analogue signal input and output

Torque ¹⁾	Double square	Reducing sleeve double square	Interface according to ISO 5211	90° rotation time ²⁾	Power consumption	Voltage/frequency	Article no.
[Nm]	[mm]	[mm]		[s]	[W]	[V/Hz]	
25	14	17/11	F05/F07	15	45	100...240 V AC, 50...60 Hz, 100...350 V DC	189193
						15...30 V AC, 50...60 Hz, 12...48 V DC	215669
45		17/14	F05/F07	15	45	100...240 V AC, 50...60 Hz, 100...350 V DC	289888
							15...30 V AC, 50...60 Hz, 12...48 V DC
75				20	45	100...240 V AC, 50...60 Hz, 100...350 V DC	306174
							15...30 V AC, 50...60 Hz, 12...48 V DC
100	22	22/17	F07/F10	15	45	100...240 V AC, 50...60 Hz, 100...350 V DC	274519
							15...30 V AC, 50...60 Hz, 12...48 V DC
150				30	45	100...240 V AC, 50...60 Hz, 100...350 V DC	181293
							15...30 V AC, 50...60 Hz, 12...48 V DC
300				60	45	100...240 V AC, 50...60 Hz, 100...350 V DC	181307
							15...30 V AC, 50...60 Hz, 12...48 V DC

1.) For the actuator choice, we recommend a safety torque equal to 1.5 times of the valve maximal torque.
 2.) Other rotation angels are available on request.

On/Off variant with emergency reset via integrated battery: fail-to-close/open adjustable

Torque ¹⁾	Double square	Reducing sleeve double square	Interface according to ISO 5211	90° rotation time ²⁾	Power consumption	Voltage/frequency	Article no.
[Nm]	[mm]	[mm]		[s]	[W]	[V/Hz]	
25	14	17/11	F05/F07	7	45	100...240 V AC, 50...60 Hz, 100...350 V DC	377030
						15...30 V AC, 50...60 Hz, 12...48 V DC	377029
45		17/14	F05/F07	15	45	100...240 V AC, 50...60 Hz, 100...350 V DC	377032
							15...30 V AC, 50...60 Hz, 12...48 V DC
75				20	45	100...240 V AC, 50...60 Hz, 100...350 V DC	377034
							15...30 V AC, 50...60 Hz, 12...48 V DC
100	22	22/17	F07/F10	15	45	100...240 V AC, 50...60 Hz, 100...350 V DC	377037
							15...30 V AC, 50...60 Hz, 12...48 V DC
150				30	45	100...240 V AC, 50...60 Hz, 100...350 V DC	377039
							15...30 V AC, 50...60 Hz, 12...48 V DC
300				60	45	100...240 V AC, 50...60 Hz, 100...350 V DC	377042
							15...30 V AC, 50...60 Hz, 12...48 V DC

1.) For the actuator choice, we recommend a safety torque equal to 1.5 times of the valve maximal torque.
 2.) Other rotation angels are available on request.

Other variants on request

Voltage
Other supply voltage

7.4. Ordering chart accessories

Reducing sleeves

Description	Article no.
Reducing sleeve double square/square 14/9 mm	665288
Reducing sleeve double square/square 14/11 mm	665289
Reducing sleeve square/square 17/14 mm	665290
Reducing sleeve double square/square 17/14 mm	773348
Reducing sleeve double square/square 17/11 mm	773343

Description	Article no.
Reducing sleeve square/square 22/19 mm	773836
Reducing sleeve double square/square 22/17 mm	684858
Reducing sleeve square/square 22/14 mm	666684
Reducing sleeve double square/square 22/11 mm	773344
Reducing sleeve double square/square 27/22 mm	774594
Reducing sleeve square/square 27/19 mm	774279
Reducing sleeve square/square 27/17 mm	774193

Spare battery for actuators with electronic emergency reset

Note:

- The battery must be replaced after max. 500 charging cycles or after 2 years at the latest. Depending on which condition is reached earlier.
- Additional information for Type 3004: the person who changes the battery must be trained and qualified to do modifications on ATEX products.
- Actuators without electronic emergency reset when delivered cannot be upgraded with this device at a later date.

Type	Variant	Torque [Nm]	Article no.
3003	BB40	10...100	775335
3004/5	BB40	25...300	774761
3004/5	BB40	600...2400	775337

Other accessories

Description	Article no.
Key for adjusting the limit switches	679946

DTS 1000097019 EN Version: Y Status: RL (released | freigegeben | valide) printed: 28.01.2025