



Accessories for pneumatic stroke and rotary actuators of the CLASSIC, ELEMENT and INOX series

- Complete modular designed accessory program
- More for less – optimal configuration costs
- Easy maintenance and commissioning
- Increase system and operational safety

Product variants described in the data sheet may differ from the product presentation and description.

Can be combined with

	Type 2000 Pneumatically operated 2/2-way angle seat valve (Type CLASSIC)	▶
	Type 2006 Pneumatically operated 3/2-way seat valve CLASSIC	▶
	Type 2031 2/2-way diaphragm valve with pneumatic plastic actuator (Type CLASSIC)	▶
	Type 2012 Pneumatically operated 2/2-way globe valve (Type CLASSIC)	▶
	Type 210X ELEMENT process valves	▶

Type description

The accessory option package is the comprehensive addition to the Bürkert process valves with pneumatic actuators. The flexible, easily accessible concept of modular accessories has been designed to cover individual application requirements in a cost-effective way.

The accessories are easy to fit (even on site).

Table of contents

1. Product accessories overview	3
1.1. Product properties.....	3
2. Product accessories	4
2.1. Pneumatic control/electrical feedback unit	4
Type 8697 and Type 8690 for on/off process valves.....	4
Type 8691 and Type 8695 for decentralised automation of on/off ELEMENT and CLASSIC process valves.....	5
2.2. Type 1060 Electrical position feedback for CLASSIC and ELEMENT valves.....	6
2.3. Proximity switch adapters for CLASSIC, ELEMENT and INOX valves.....	7
Mounting bracket.....	7
Threaded nipple.....	9
2.4. Stroke limitation	10
CLASSIC.....	10
ELEMENT	12
INOX	15
2.5. Handwheel for CLASSIC valves.....	18
2.6. Mounting spanner for CLASSIC drive cover.....	19
2.7. NAMUR adapter for pilot valves for CLASSIC valves.....	20
50 (D)..80 (F) for seat valve, 63 (E)..100 (G) for diaphragm valve.....	21
100 (G), 125 (H) for seat valve, 25 (H) for diaphragm valve.....	22
2.8. Type SC02 electrical position indicator for INOX valves	23
2.9. Actuator blocking for INOX and CLASSIC valves	24
2.10. Dead man's handle	25
2.11. Stroke limitation for Type 869x ELEMENT and CLASSIC valves	26

1. Product accessories overview

1.1. Product properties

Note:

If the product accessories are installed, the customer must ensure that appropriate documentation is provided.

Type	Description	Actuator size Ø	Further information
		[mm]	
CLASSIC (Type 2000, Type 2012, Type 2006, Type 2031, Type 2032, Type 2033)			
Type 8697	Electrical position feedback	40 (C)...225 (L)	"2.1. Pneumatic control/electrical feedback unit" on page 4
Type 8695	Control head/electrical feedback unit	40 (C)...50 (D)	"2.1. Pneumatic control/electrical feedback unit" on page 4
Type 8691	Control head/electrical feedback unit	63 (E)...225 (L)	"2.1. Pneumatic control/electrical feedback unit" on page 4
Type 1060	Position feedback	40 (C)...225 (L)	"2.2. Type 1060 Electrical position feedback for CLASSIC and ELEMENT valves" on page 6
-	Adapter for proximity switch	40 (C)...225 (L)	"2.3. Proximity switch adapters for CLASSIC, ELEMENT and INOX valves" on page 7
-	Stroke limitation	40 (C)...225 (L)	"2.4. Stroke limitation" on page 10
-	Handwheel for linear actuators	50 (D)...125 (H)	"2.5. Handwheel for CLASSIC valves" on page 18
-	NAMUR adapter	50 (D)...125 (H)	"2.7. NAMUR adapter for pilot valves for CLASSIC valves" on page 20
-	Mounting spanner	40 (C)...125 (H)	"2.6. Mounting spanner for CLASSIC drive cover" on page 19
-	Stroke limitation on Type 869x	50 (D)...125 (H)	"2.11. Stroke limitation for Type 869x ELEMENT and CLASSIC valves" on page 26
ELEMENT (Type 2100, Type 2300, Type 2101, Type 2301, Type 2106, Type 2103, Type 2104, Type 2105)			
Type 8697	Pneumatic control/feedback unit	50 (D)	"2.1. Pneumatic control/electrical feedback unit" on page 4
Type 8690	Pneumatic control/feedback unit	70 (M)...130 (P)	"2.1. Pneumatic control/electrical feedback unit" on page 4
Type 8695	Control head/electrical feedback unit	50 (D)	"2.1. Pneumatic control/electrical feedback unit" on page 4
Type 8691	Control head/electrical feedback unit	70 (M)...225 (L)	"2.1. Pneumatic control/electrical feedback unit" on page 4
-	Adaption for inductive proximity switch	50 (D)...130 (P)	"2.3. Proximity switch adapters for CLASSIC, ELEMENT and INOX valves" on page 7
-	Stroke limitation	50 (D)...225 (L)	"2.4. Stroke limitation" on page 10
-	Stroke limitation for Type 869x	70 (M)...130 (P)	"2.11. Stroke limitation for Type 869x ELEMENT and CLASSIC valves" on page 26
INOX (Type 2060, Type 2063, Type 2064, Type 2065, Type 2080)			
Type 8697	Electrical position feedback	50 (D)...130 (P)	"2.1. Pneumatic control/electrical feedback unit" on page 4
Type SC02	Electrical position feedback	32 (B)	"2.8. Type SC02 electrical position indicator for INOX valves" on page 23
-	Adaption for inductive proximity switch	50 (D)...130 (P)	"2.3. Proximity switch adapters for CLASSIC, ELEMENT and INOX valves" on page 7
-	Stroke limitation	32 (B)...130 (P)	"2.4. Stroke limitation" on page 10
-	Actuator blocking	50 (D)...130 (P)	"2.9. Actuator blocking for INOX and CLASSIC valves" on page 24
-	Dead man's handle	32 (B)	"2.11. Stroke limitation for Type 869x ELEMENT and CLASSIC valves" on page 26

DTS 1000102756 EN Version: AK Status: RL (released | freigegeben | validé) printed: 24.02.2025

2. Product accessories

2.1. Pneumatic control/electrical feedback unit

Type 8697 and Type 8690 for on/off process valves

Note:

- Non-retrofitable components are only orderable with valve actuator as Type 8801.
- The feedback variant of Type 8690 for CLASSIC process valves is covered by the electrical feedback of Type 8697.

Variant	Pneumatic control (with pilot valve) Type 8697 ▶	Electrical feedback (without pilot valve) Type 8697 ▶	Pneumatic control (with pilot valve) Type 8690 ▶	
Pictures				
Type description	<p>The pneumatic control and feedback unit Type 8697 is designed for integrated mounting on process valves of the CLASSIC series 20XX and ELEMENT series 21XX with a small nominal diameter.</p> <p>Mechanical or inductive limit switches detect the valve position and report it electrically to the control unit.</p> <p>An intrinsically safe variant in accordance with ATEX / IECEx is optionally available for use in potentially explosive environments.</p>	<p>The electrical feedback variant of Type 8697 is optimised for integrated mounting on process valves of the CLASSIC 20XX and INOX 206X series.</p> <p>Mechanical or inductive limit switches detect the valve position and report it electrically to the control unit.</p> <p>The feedback unit Type 8697 can be combined with all available actuator sizes for CLASSIC.</p> <p>An intrinsically safe variant in accordance with ATEX / IECEx is optionally available for use in potentially explosive environments.</p>	<p>The pneumatic control unit Type 8690 is designed for the decentralised automation of ELEMENT series pneumatic process valves. Mechanical or inductive limit switches detect the valve position. The integrated pilot valve controls single-acting or double-acting actuators.</p> <p>An intrinsically safe variant in accordance with ATEX / IECEx is optionally available for use in potentially explosive environments.</p>	
Features				
Drive series	ELEMENT	CLASSIC	INOX (stainless steel)	ELEMENT
Actuator size (Ø) in mm	50 (D)	40 (C), 63 (E), 80 (F), 100 (G), 125 (H), 175 (K), 225 (L)	50 (D), 70 (M), 90 (N), 130 (P)	70 (M), 90 (N), 130 (P)
Attachment to seat valves	Type 2100, Type 2101, Type 2106	Type 2000, Type 2012, Type 2006	Type 2060	Type 2100, Type 2101, Type 2106
Attachment to diaphragm valves	Type 2103, Type 2104, Type 2105	Type 2031, Type 2032, Type 2033	Type 2063, Type 2064, Type 2065	Type 2103, Type 2104, Type 2105
End position indicator	Micro switch or proximity switch			
Position indicator	Optical display pen			
Approvals	ATEX Cat. 3GD / IECEx, ATEX Cat. 2DG / IECEx			
Fieldbus communication	No			
Electrical connection	Cable gland or M12 plug connector			

DTS 1000102756 EN Version: AK Status: RL (released | freigegeben | valide) printed: 24.02.2025

Type 8691 and Type 8695 for decentralised automation of on/off ELEMENT and CLASSIC process valves

Variant	Control head/electrical feedback unit			
	Type 8691 ▶		Type 8695 ▶	
Pictures				
Type description	<p>The control head Type 8691 is designed for the decentralised automation of the ELEMENT series pneumatic process valves. The valve position is detected via a contactless, analogue sensor element which automatically detects and saves the valve end positions during commissioning via the teach function. The integrated pilot valve controls single-acting or double-acting actuators. The design of the control head and actuator is specially conceived for the requirements of hygienic process conditions and enables internal control air routing without external pipework.</p>		<p>The control head Type 8695 is designed for the decentralised automation of ELEMENT series pneumatic process valves with a small nominal diameter. The valve position is detected via a contactless, analogue sensor element which automatically detects and saves the valve end positions during commissioning via the teach function. The integrated pilot valve controls single-acting or double-acting actuators. The design of the control head and actuator is specially conceived for the requirements of hygienic process conditions and enables internal control air routing without external pipework.</p>	
Features				
Drive series	ELEMENT	CLASSIC	ELEMENT	CLASSIC
Actuator size (Ø) in mm	70 (D), 90 (N), 130 (P), 225 (L)	63 (E), 80 (F), 100 (G), 125 (H), 175 (K), 225 (L)	50 (D)	40 (C), 50 (D)
Mounting on seat valves	Type 2100, Type 2101, Type 2106	Typ 2000, Typ 2012, Typ 2006	Type 2100, Type 2101, Type 2106	Typ 2000, Typ 2012, Typ 2006
Mounting on diaphragm valves	Type 2103, Type 2104, Type 2105	Typ 2031, Typ 2032, Typ 2033	Type 2103, Type 2104, Type 2105	Typ 2031, Typ 2032, Typ 2033
End position indicator	Non-contact inductive position detection with teach function		Non-contact inductive position detection with teach function	
Status indicator	Coloured high-power LEDs		Coloured LEDs	
Approvals	ATEX Cat. 3GD, IECEx		ATEX Cat. 3GD, IECEx	
Fieldbus communication	AS-Interface, IO-Link, Bürkert system bus (büS)		AS-Interface, IO-Link, Bürkert system bus (büS)	
Electrical connection	Cable gland or M12 plug connector		M12 plug connector	

DTS 1000102756 EN Version: AK Status: RL (released | freigegeben | valide) printed: 24.02.2025

2.2. Type 1060 Electrical position feedback for CLASSIC and ELEMENT valves

Applicable for:

CLASSIC: Type 2000, Type 2012, Type 2006, Type 2031, Type 2032, Type 2033

The electrical position indicator is screwed in instead of the optical position indicator. When the valve opens, the actuator piston lifts a mushroom which actuates a micro switch with changeover contact for electrical position feedback. At the same time the mushroom serves as an optical position indicator.

Note:

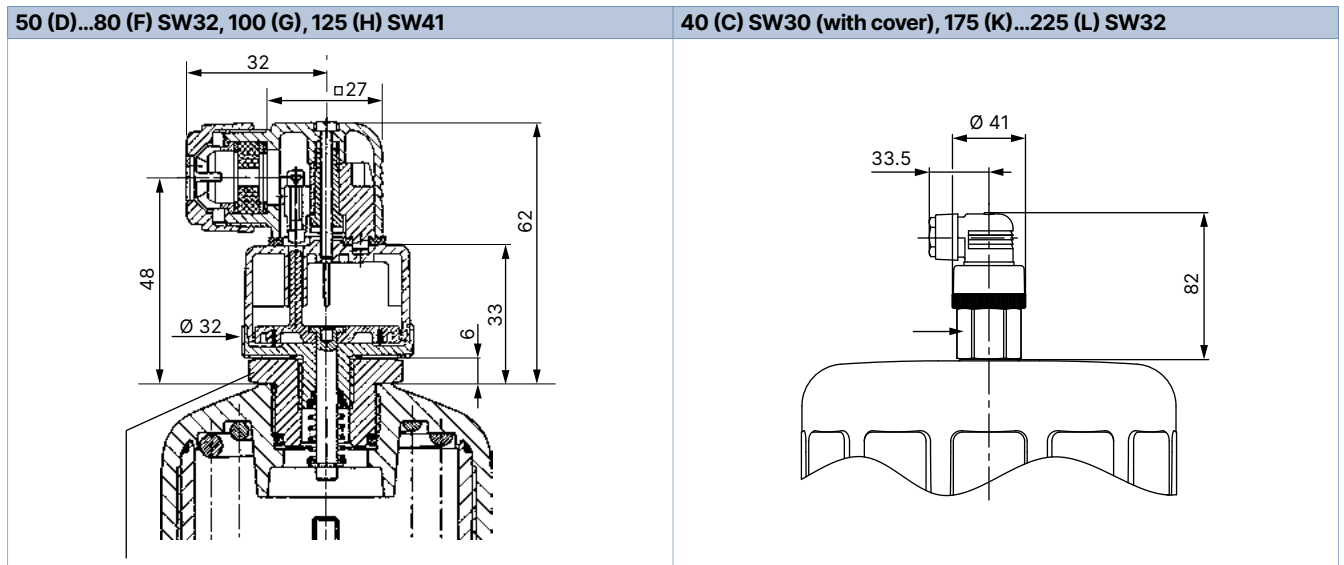
Further information can be found in data sheet **Type 1060** ▶.



Dimensions

Note:

Dimensions in mm



Ordering chart

Note:

Can be retrofitted by the customer

Valve actuator series	Actuator size Ø [mm]	Article no.
CLASSIC	40 (C)	293113 ¹⁾
	50 (D)...80 (F)	701515 ¹⁾
	100 (G), 125 (H)	701516 ¹⁾
	175 (K), 225 (L)	655696 ¹⁾

1.) For valves built as of 2016

2.3. Proximity switch adapters for CLASSIC, ELEMENT and INOX valves

Applicable for:

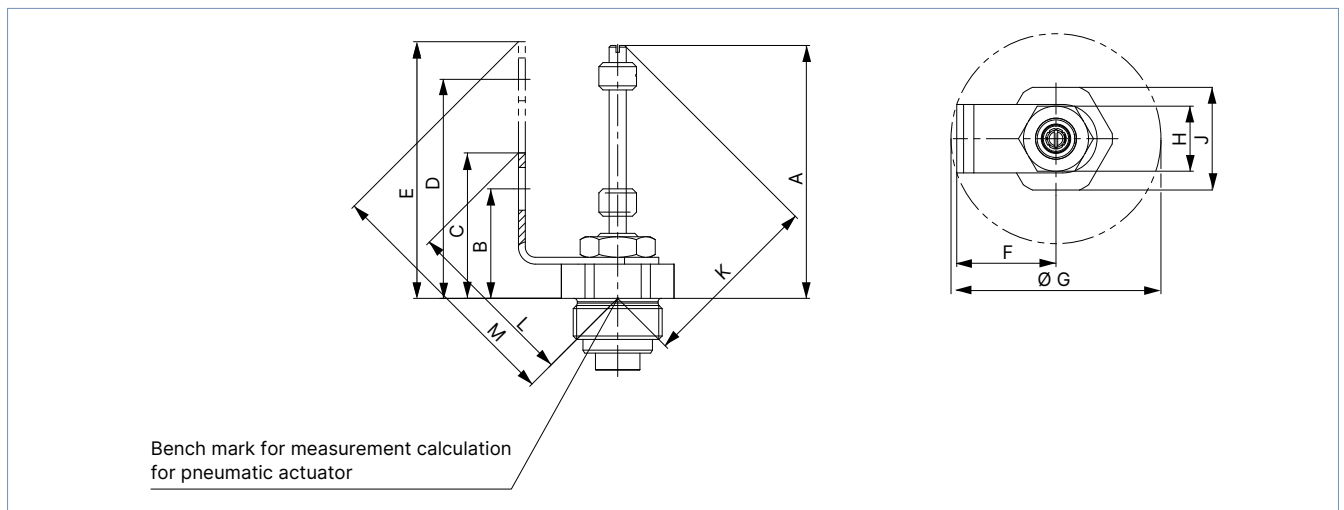
- CLASSIC: Type 2000, Type 2012, Type 2006, Type 2031, Type 2032, Type 2033
- ELEMENT: Type 2100, Type 2300, Type 2101, Type 2301, Type 2106, Type 2103, Type 2104, Type 2105
- INOX: Type 2060, Type 2063, Type 2064, Type 2065, Type 2080

The adaptation for proximity switches is available for all actuator series and control functions and can easily be retrofitted instead of the normal position indicator. They are available in single and double variants, depending on which valve position is to be queried.



Mounting bracket

Dimensions



DTS 1000102756 EN Version: AK Status: RL (released | freigegeben | validé) printed: 24.02.2025

Ordering chart

Note:

Can be retrofitted by the customer

Valve actuator series	Sensor	Actuator size Ø [mm]	A	B	C	D	E	F	Ø G	H [SW]	J [SW]	45° (inclined seat) 40° (bottom outlet) 35° (bottom outlet)			Article no.
												K	L	M	
CLASSIC	Single	50 (D), 63 (E), 80 (F)	66	32	43	-	-	29	62	19	30	44 47 50	51 52 52	-	649381
		100 (G), 125 (H)	81	35	46	-	-	29	62	19	30	52 56 59	53 54 54	-	649382
	Double	50 (D), 63 (E), 80 (F)	81	28	-	74	85	24	52	19	30	59 63 68	-	78 81 84	667988
		100 (G), 125 (H)	96	31	-	77	88	24	52	19	30	69 75 80	-	80 83 86	667989
		175 (K), 225 (L)	145	68	-	136	147	24	52	19	30	104 112 120	-	106 111 116	669810
INOX	Single	50 (D), 70 (M)	91	33	44	-	-	29	26	18	30	66 71 76	52 52 53	-	699989
		90 (N), 130 (P)	46	41	53	-	-	22	38	18	30	51 55 58	54 55 57	-	699991
	Double	50 (D), 70 (M)	93	29	-	75	86	24	26	18	30	67 73 78	-	78 82 85	699990
		90 (N), 130 (P)	94	30	-	76	87	25	38	18	30	68 74 78	-	79 83 86	699992
ELEMENT	Single	50 (D)	55	36	47	-	-	26	20	18	17	41 44 46	52 53 54	-	279579
		70 (M), 90 (N), 130 (P)	70	38	49	-	-	26	42	18	19	51 55 58	53 54 55	-	279578
		50 (D)	95	38	-	88	99	29	42	18	19	69 74 79	-	90 94 97	674053
	Double	70 (M), 90 (N), 130 (P)	95	36	-	86	97	29	20	18	17	69 74 79	-	89 93 96	674052
		50 (D)	86	30	-	76	87	24	42	18	19	62	-	78	60035187
		225 (L)	86	30	-	76	87	24	42	18	19	62	-	78	60035187

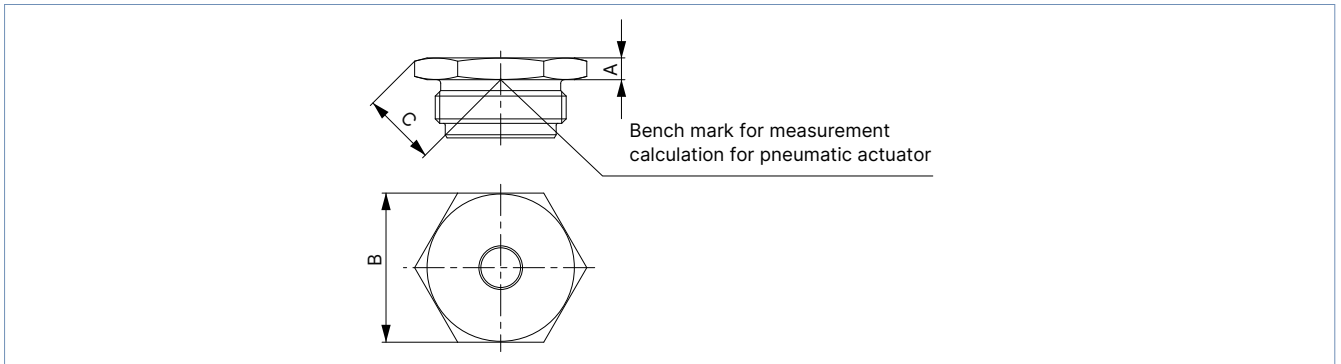
DTS 1000102756 EN Version: AK Status: RL (released | freigegeben | valide) printed: 24.02.2025

Threaded nipple

The simple adaptation for M12 initiators is mounted in place of the normal position indicator and records the open valve position. Due to the lack of sealing of the upper actuator chamber, this cost-effective variant is only suitable for control function A.



Dimensions



Ordering chart

Note:

Can be retrofitted by the customer

Valve actuator series	Actuator size Ø [mm]	A	B	C	Article no.
				45° (inclined seat) 40° (bottom outlet) 35° (bottom outlet)	
CLASSIC	40 (C), 50 (D), 63 (E), 80 (F)	6	SW32	17	648152
				16	
				15	
	100 (G), 125 (H)	6	SW41	21	649257
				20	
				18	
175 (K), 225 (L)	29	SW32	34	669773	
INOX	50 (D), 70 (M)	16	SW19	20	698536
	90 (N), 130 (P)	17	SW36	26	698537
ELEMENT	50 (D)	20	SW17	22	673967
	70 (M), 90 (N), 130 (P)	19	SW24	24	673968 ^{1.)}
		14		21	581139 ^{2.)}

1.) PPS

2.) Stainless steel



2.4. Stroke limitation

CLASSIC

Applicable for:

CLASSIC: Type 2000, Type 2012, Type 2006, Type 2031, Type 2032, Type 2033

Maximum stroke limitation without visual position indicator

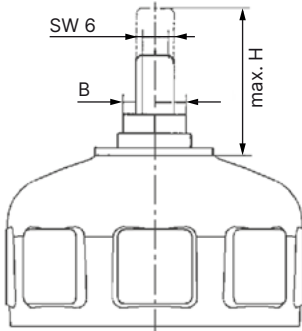
Actuator size Ø [mm]	
40 (C)...80 (F)	175 (K)...225 (L)
	

Product properties	
Maximum stroke limitation	
Special feature	Without visual position indicator (upper stroke limitation only)
Mounting	Screw in stroke limiter (instead of the transparent cover for the visual position indicator). For Ø 100 (G) mm and Ø 125 (H) mm, the actuator cover must be removed for mounting. To do this, a special key is required (see “Ordering chart for mounting key (for actuator cover)” on page 9).

Dimensions

Note:

Dimensions in mm

Actuator size Ø 40 (C)...225 (L) mm (maximum stroke limitation)
(single variant, only for valves with control function A, closed by spring force in rest position)


Ordering chart

Note:

Can be retrofitted by the customer

Valve actuator series	Actuator size Ø [mm]	B	H	Article no.
CLASSIC	40 (C), 50 (D), 63 (E), 80 (F)	SW17	40	637866
	100 (G)	SW19	55	637867
	125 (H)			637868
	175 (K), 225 (L)	SW24	97	655600

Minimum/maximum stroke limitation with visual position indicator

Actuator size Ø [mm]	
50 (D)...80 (F)	175 (K)...225 (L)

Product properties	
Minimum/maximum stroke limitation	
Special feature	Minimum/maximum flow setting (upper and lower stroke limitation) with visual position indicator
Mounting	The actuator cover must be removed for mounting. To do this, a special key is required (see "Ordering chart for mounting key (for actuator cover)" on page 9). The variant for drive size Ø 175 (K) mm cannot be retrofitted and must be installed at the factory.

Dimensions

Actuator size Ø 50 (D)...175 (K) mm (minimum/maximum stroke limitation)

Ordering chart

Valve actuator series	Actuator size Ø [mm]	D	H	Article no.
CLASSIC	50 (D), 63 (E), 80 (F) ¹⁾	39	50	636820
	100 (G) ¹⁾	53	73	636821
	125 (H) ¹⁾			640703
	175 (K), 225 (L) (diaphragm valves)	86	172	655631
	175 (K) (globe valve)			659038

1.) Can be retrofitted by the customer



DTS 1000102756 EN Version: AK Status: RL (released | freigegeben | valide) printed: 24.02.2025

ELEMENT

Applicable for:

ELEMENT: Type 2100, Type 2300, Type 2101, Type 2301, Type 2106, Type 2103, Type 2104, Type 2105

Maximum stroke limitation without visual position indicator

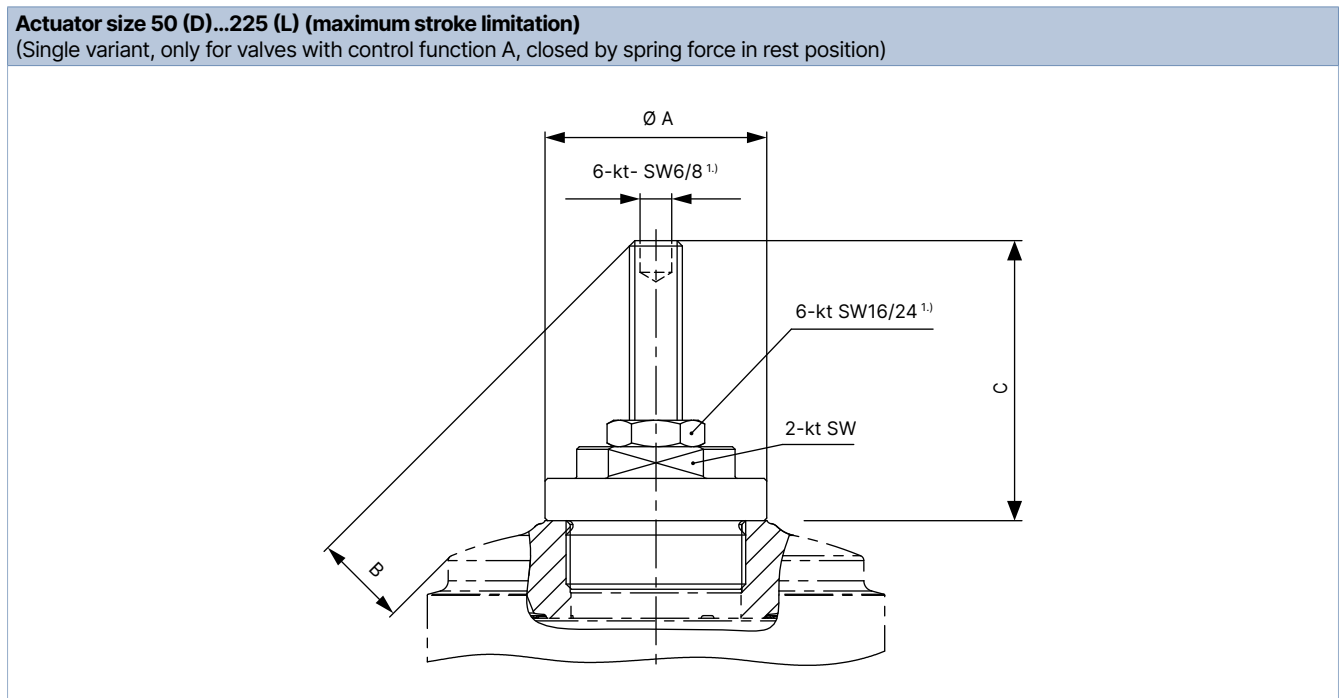
Actuator size Ø [mm]	
50 (D)	70 (M)...130 (P)...225 (L)
	

Product properties	
Special feature	Without visual position indicator (upper stroke limitation only)
Mounting	Screw in stroke limiter (instead of the transparent cover for the visual position indicator). Actuator size 50 (D)...130 (P) can be easily retrofitted.

Dimensions

Note:



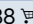
Dimensions in mm



1.) Dimension for actuator size 225 (L)



DTS 1000102756 EN Version: AK Status: RL (released | freigegeben | validé) printed: 24.02.2025

Ordering chart

Valve actuator series	Actuator size Ø [mm]	A	B	C	2-kt SW	Article no.
ELEMENT	50 (D) ^{1.)}	20	15	40	17	677535 
	70 (M) ^{1.)}	42	18	53	24	673962 
	90 (N) ^{1.)}		16			
	130 (P) ^{1.)}		2			
	225 (L)	40	20	115	32	60011488 

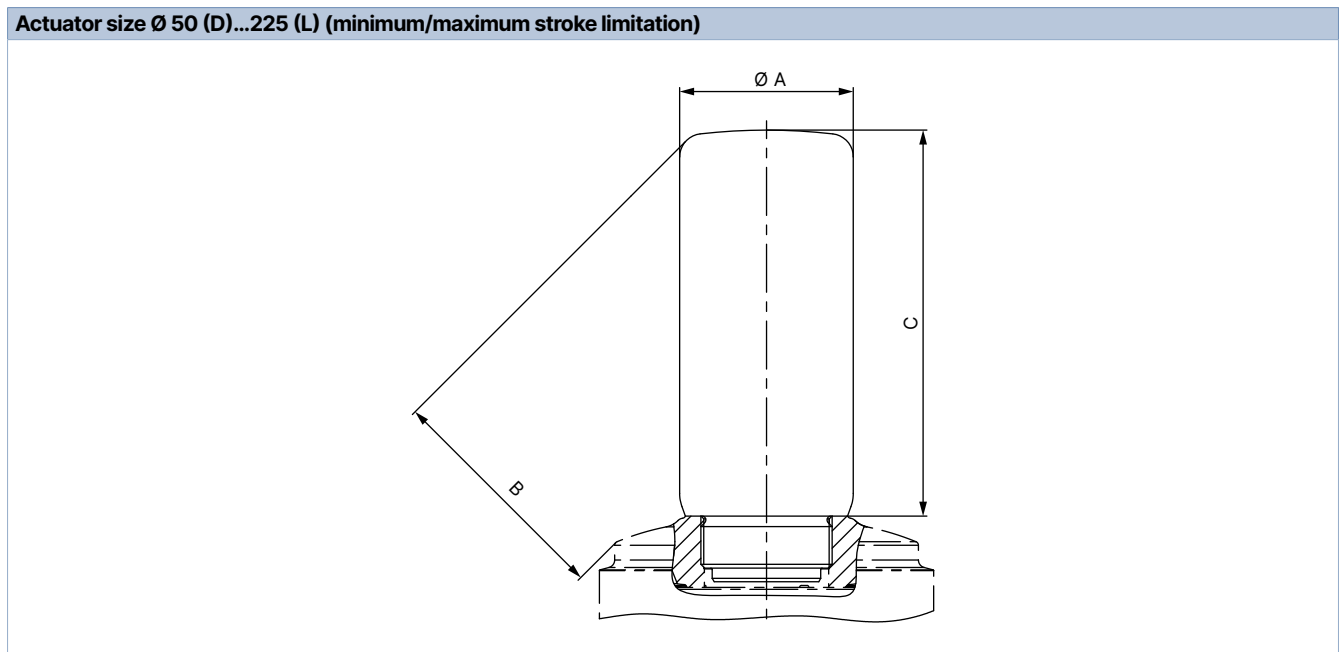
1.) Can be retrofitted by the customer

Minimum/maximum stroke limitation with visual position indicator

Actuator size Ø [mm]	
50 (D)	70 (M)...130 (P), 225 (L)
	

Product properties	
Special feature	Minimum/maximum flow setting (upper and lower stroke limitation) with visual position indicator
Mounting	Screw in stroke limiter (instead of the transparent cover for the visual position indicator). Actuator size 50 (D)...130 (P) can be easily retrofitted.

Dimensions



Ordering chart

Valve actuator series	Actuator size Ø [mm]	A	B	C	Article no.
ELEMENT	50 (D) ^{1.)}	27	38	66	673950 ☞
	70 (M) ^{1.)}	45	61	100	673951 ☞
	90 (N) ^{1.)}		59		
	130 (P) ^{1.)}		45		
	225 (L)	86	93	184	60011493 ☞

1.) Can be retrofitted by the customer

INOX

Applicable for:

INOX: Type 2060, Type 2063, Type 2064, Type 2065, Type 2080

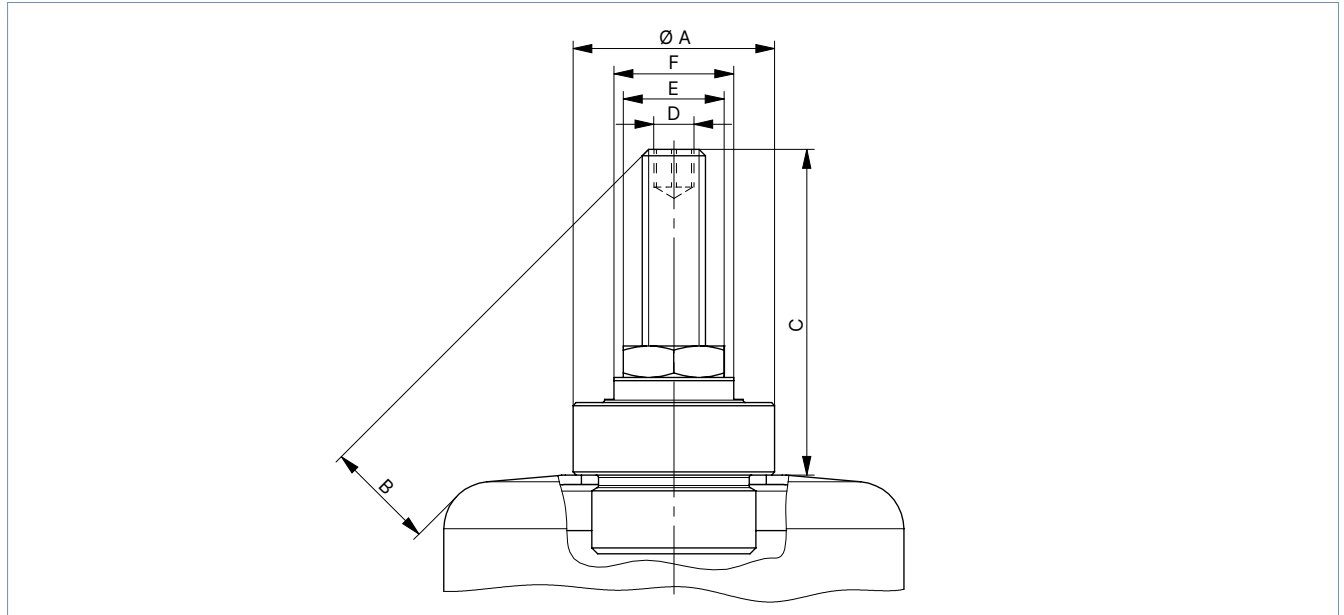
Maximum stroke limitation without optical position indicator

Actuator size Ø [mm]	
32 (B)	50 (D)...130 (P)
Product properties	
Special feature	Without optical position indicator (only stroke limitation upwards)
Mounting	Screw in stroke limiter (instead of the transparent cover for the optical position indicator). <ul style="list-style-type: none"> • Ø 32 (B) is only available for actuators with pilot air connection G 1/8. • Easy to retrofit

Dimensions

Actuator size Ø 32 (B)...130 (P) (maximum stroke limitation)

(single variant, only for valves with control function A, closed by spring force in rest position)



DTS 1000102756 EN Version: AK Status: RL (released | freigegeben | validé) printed: 24.02.2025

Ordering chart

Note:

Can be retrofitted by the customer

Valve actuator series	Actuator size Ø [mm]	A	C	B 45° (inclined seat) 40° (bottom outlet) 35° (bottom outlet)	D (6-edge)	E (6-edge)	F (2-edge)	Article no.
INOX	32 (B) Only for actuators with control air connection G 1/8	18	28	11	SW4	SW13	SW13	20061596
	50							
	70							
	50 (D) 70 (M)	32	52	18	SW6	SW16	SW19	699550
	23							
	28							
	90 (N) 130 (P)	42	51	11	SW18	SW24	699994	
	16							
	22							

DTS 1000102756 EN Version: AK Status: RL (released | freigegeben | valide) printed: 24.02.2025

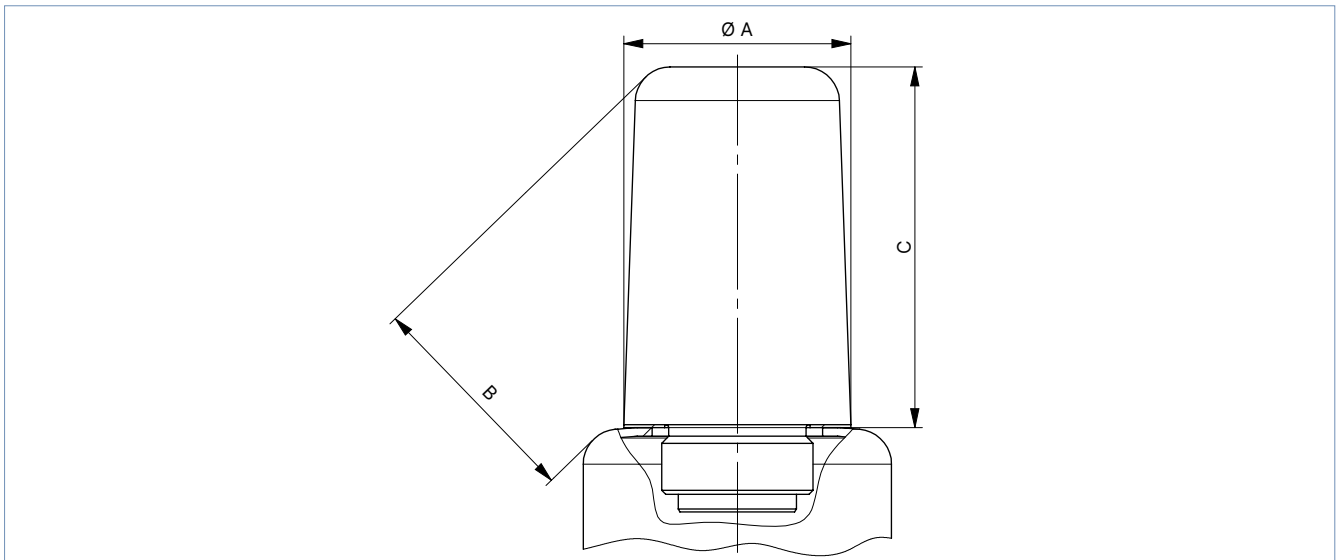
Minimum/maximum stroke limiter with optical position indicator

Actuator size Ø [mm] 50 (D)...130 (P)



Actuator size Ø 50 (D)...130 (P) (minimale/Maximum stroke limitation)

Dimensions



Ordering chart

Note:

Can be retrofitted by the customer

Valve actuator series	Actuator size Ø [mm]	A	C	B	Article no.
				45° (inclined seat) 40° (bottom outlet) 35° (bottom outlet)	
INOX	50 (D)	39	62	38	699986
	70 (M)			42	
				46	
	90 (N)	53	116	70	699998
	130 (P)			79	
				86	

DTS 1000102756 EN Version: AK Status: RL (released | freigegeben | valide) printed: 24.02.2025

2.5. Handwheel for CLASSIC valves

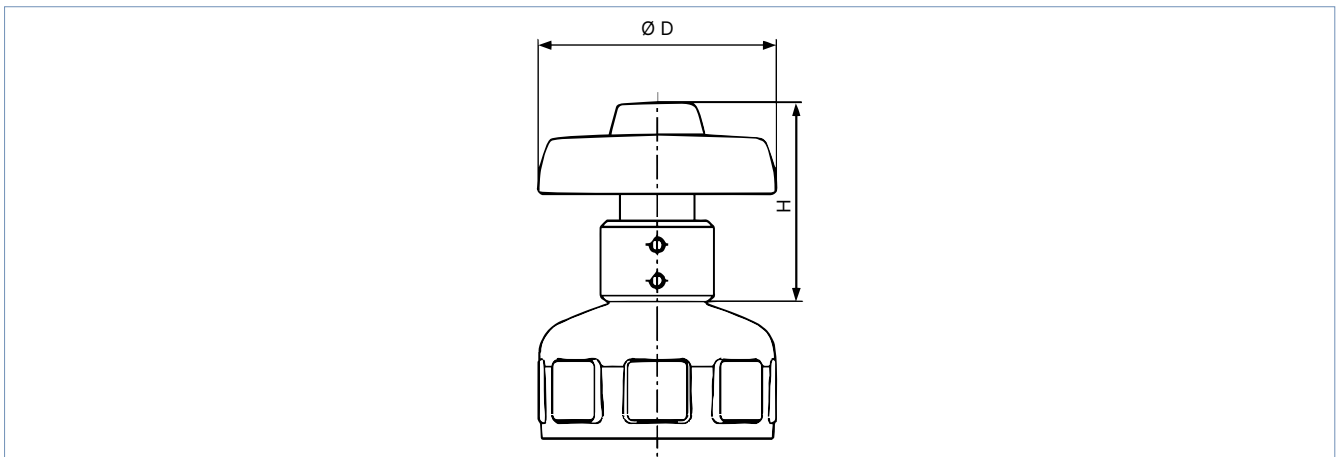
Applicable for:

CLASSIC: Type 2000, Type 2012, Type 2006, Type 2031, Type 2032, Type 2033

Handwheel with visual position indicator for manual actuation of the valve, e.g. in the event of a pressure failure. Only for actuators with control function A, closed by spring force.



Dimensions



Ordering chart

Note:

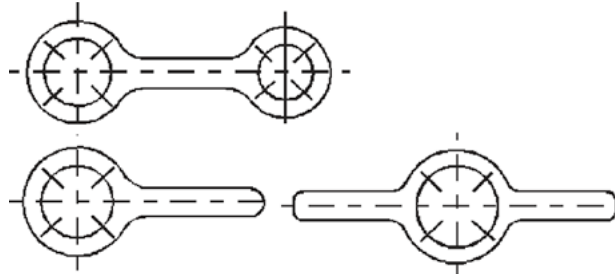
Can be retrofitted by the customer

Valve actuator series	Actuator size Ø	D	H	Article no.
	[mm]			
CLASSIC	50 (D), 63 (E), 80 (F)	80	68	636822
	100 (G), 125 (H)	150	85	636823






DTS 1000102756 EN Version: AK Status: RL (released | freigegeben | validé) printed: 24.02.2025

2.6. Mounting spanner for CLASSIC drive cover

These installation spanners are required to open the CLASSIC series operators when, for example, maintenance is to be carried out or seals are to be replaced.



Ordering chart

Valve actuator series	Actuator size Ø	Article no.
	[mm]	
CLASSIC	40 (C), 50 (D)	639175 
	63 (E)	639170 
	80 (F)	639171 
	100 (G)	639172 
	125 (H)	639173 

DTS 1000102756 EN Version: AK Status: RL (released | freigegeben | valide) printed: 24.02.2025

2.7. NAMUR adapter for pilot valves for CLASSIC valves

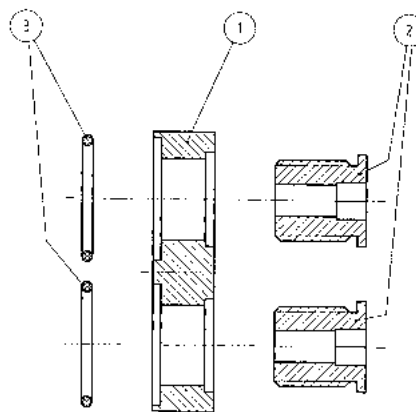
Applicable for:

CLASSIC: Type 2000, Type 2012, Type 2006, Type 2031, Type 2032, Type 2033

By using these adapter plates, pilot valves according to NAMUR standard can be fitted directly to the actuators.



Product properties	
Material	
Plate and hollow screw	Stainless steel 1.4021 or CuZn39 Pb3 F44
Seal: O-ring	NBR 75



Mounting for NAMUR adapter	
No.	Description
1	Plate
2	Hollow screw
3	O-rings

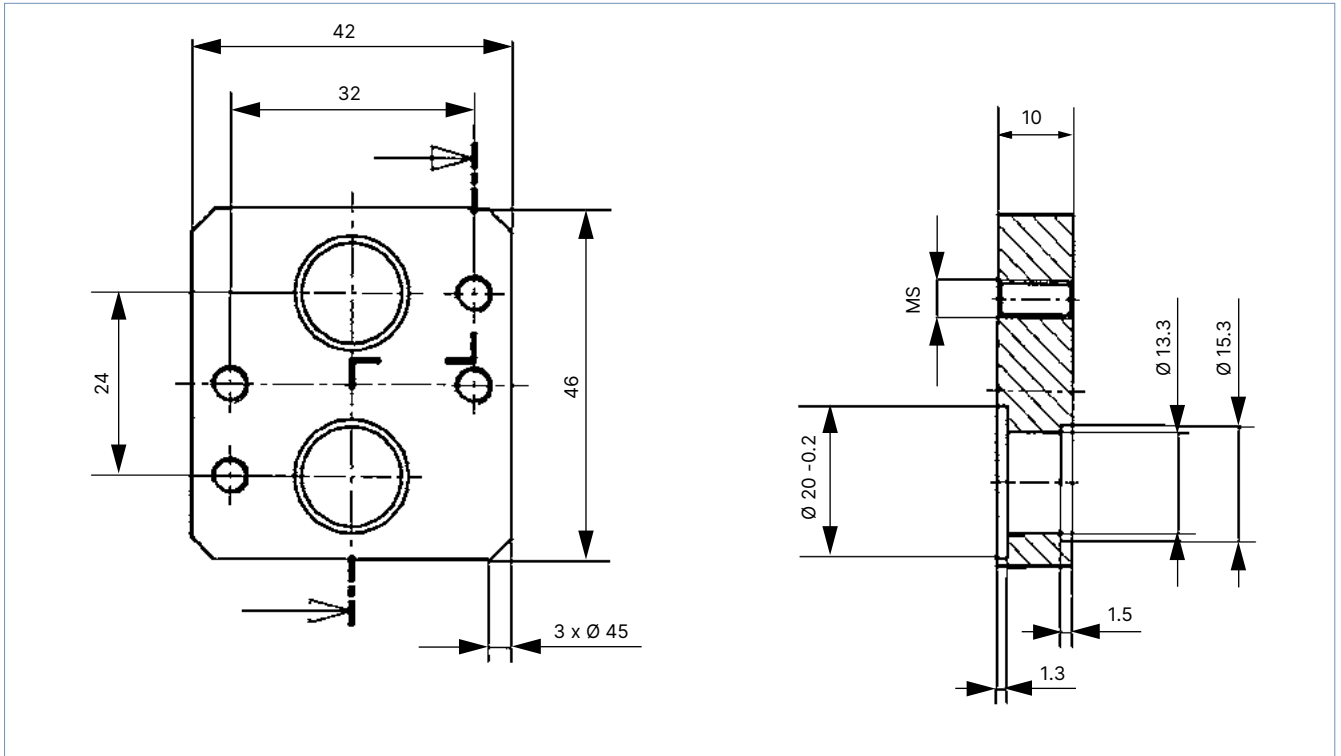
DTS 1000102756 EN Version: AK Status: RL (released | freigegeben | valide) printed: 24.02.2025

50 (D)...80 (F) for seat valve, 63 (E)...100 (G) for diaphragm valve

Dimensions

Note:

Dimensions in mm



Ordering chart

Note:

Can be retrofitted by the customer

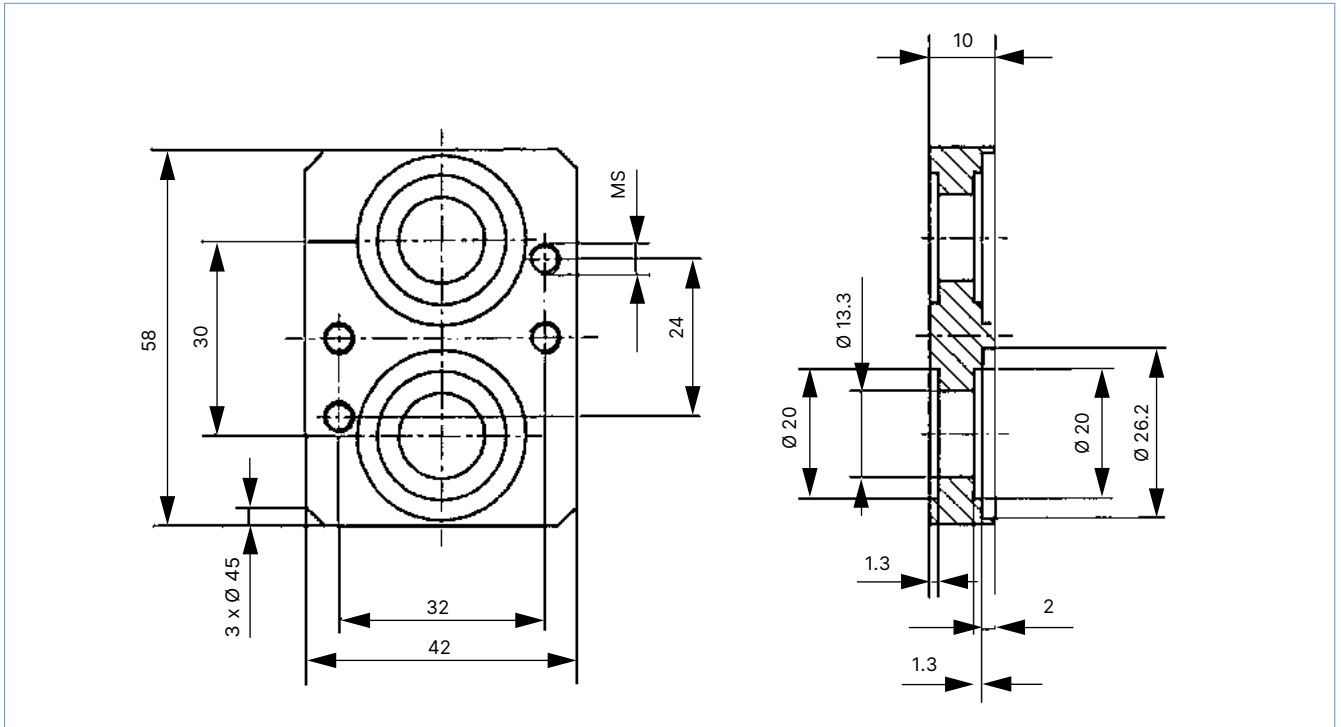
Valve actuator series	Actuator size Ø [mm]	Material	Article no.
CLASSIC	50 (D)...80 (F) (seat valve)	Stainless steel	632974
	63 (E)...100 (G) (diaphragm valve)	Brass	637113

100 (G), 125 (H) for seat valve, 25 (H) for diaphragm valve

Dimensions

Note:

Dimensions in mm



Ordering chart

Note:

Can be retrofitted by the customer

Valve actuator series	Actuator size Ø [mm]	Material	Article no.
CLASSIC	100 (G), 125 (H) (seat valve)	Stainless steel	634275
	125 (H) (diaphragm valve)	Brass	637114

DTS 1000102756 EN Version: AK Status: RL (released | freigegeben | valide) printed: 24.02.2025

2.8. Type SC02 electrical position indicator for INOX valves

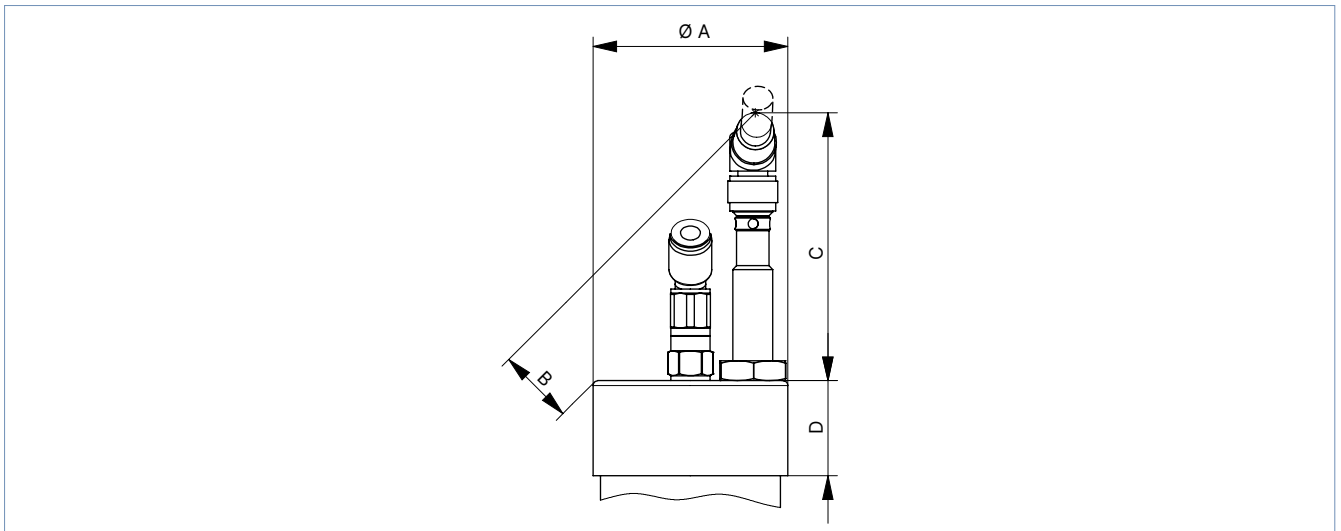
Applicable for:

INOX: Type 2060, Type 2063, Type 2064, Type 2065, Type 2080

The SC02 electrical feedback unit for INOX valves in actuator size \varnothing 32 (B) can be retrofitted to all actuators in this series. The included initiator is screwed into the bonnet and thus detects the closed actuator position. It is therefore advisable to use a NO initiator, but versions with NC initiators are also available.



Dimensions



Ordering chart

Note:

Can be retrofitted by the customer

Valve actuator series	Execution	A	B 45° (inclined seat) 40° (bottom outlet) 35° (bottom outlet)	C	D	Article no.
INOX	NO Ini, 4 mm hose plug connection	39	17	54	19	583555
	NO Ini, 6 mm hose plug connection		22			586253
	NC Ini, 4 mm hose plug connection		27			60005041

2.9. Actuator blocking for INOX and CLASSIC valves

Applicable for:

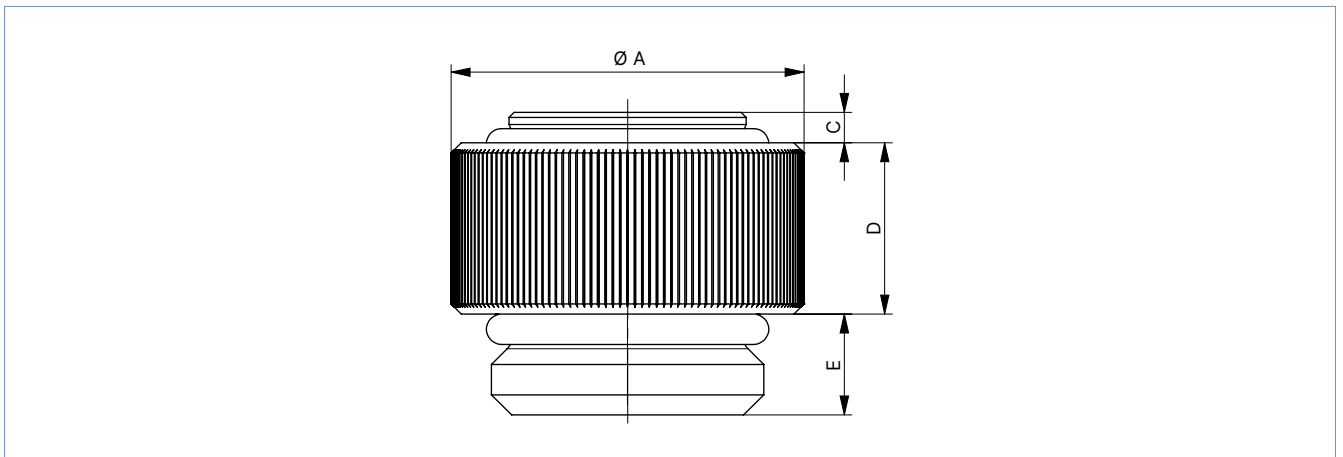
INOX: Type 2060, Type 2063, Type 2064, Type 2065, Type 2080

CLASSIC: Type 2000, Type 2012, Type 2006, Type 2031, Type 2032, Type 2033

The actuator blocking is used to keep NC (normally closed) valves open in situations when no control pressure is available, for example when the entire valve is to be autoclaved.



Dimensions



Ordering chart

Note:

Can be retrofitted by the customer

Valve actuator series	Actuator size Ø [mm]	A	C	D	E	Article no.
INOX	50 (D)	35	3	17	10	20055972
	70 (M)					
	90 (N)	42	5	19	10	20055973
	130 (P)					
CLASSIC	40 (C)	35	14	8	9	20088712
	50 (D), 63 (E), 80 (F)	35	20	8	9	20088713
	100 (G), 125 (H)	42	28	10	10	20088714

DTS 1000102756 EN Version: AK Status: RL (released | freigegeben | valide) printed: 24.02.2025

2.10. Dead man's handle

Applicable for:

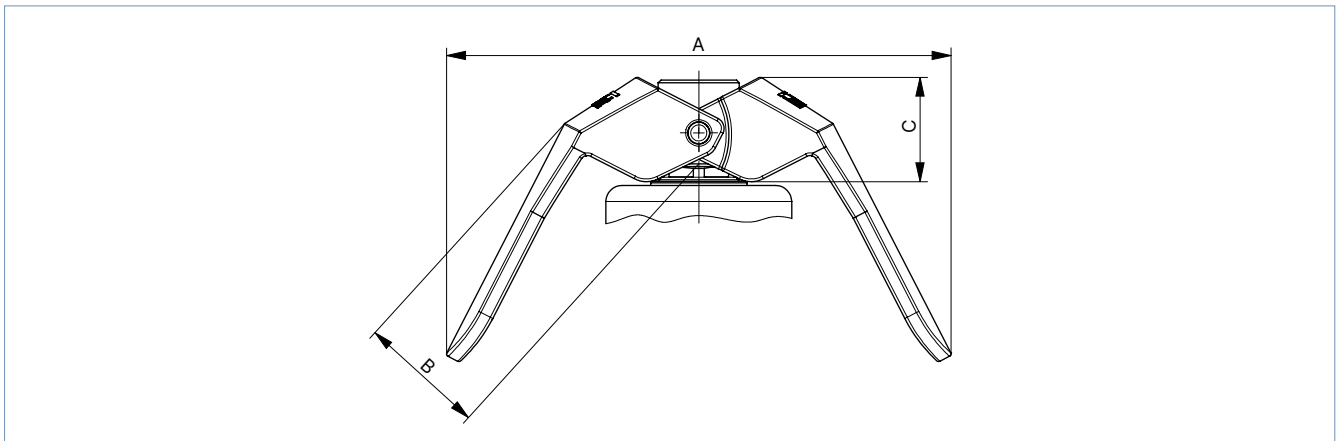
INOX: Type 2060, Type 2063, Type 2064, Type 2065, Type 2080

This conversion kit converts any pneumatically operated actuator from the INOX series (Ø 32 (B)) into a manually operated / unpressurised 'push button'. This means that the valve only remains open as long as the levers are actuated. When the levers are released, the valve closes automatically with the normal actuator spring force.

An application case would be a sampling valve, for example, where it must be ensured that the valve is closed again as soon as the operator leaves.



Dimensions



Ordering chart

Note:

Can be retrofitted by the customer

Valve actuator series	Actuator size Ø [mm]	A	B 45° (inclined seat) 40° (bottom outlet) 35° (bottom outlet)	C	Article no.
INOX	32 (B)	94	24	20	20043467
			23		
			21		

DTS 1000102756 EN Version: AK Status: RL (released | freigegeben | validé) printed: 24.02.2025

2.11. Stroke limitation for Type 869x ELEMENT and CLASSIC valves

Applicable for:

ELEMENT: Type 2100, Type 2300, Type 2101, Type 2301, Type 2106, Type 2103, Type 2104, Type 2105
 CLASSIC: Type 2000, Type 2012, Type 2006, Type 2031, Type 2032, Type 2033

The simple stroke limiter for limiting the maximum opening enables the simultaneous use of control heads.

Note:

Only suitable for actuators with control function A (closed by spring force in rest position). ELEMENT variants must also have control air connections with threaded socket G 1/8".



Ordering chart

Valve actuator series	Actuator size Ø [mm]	Type	Article no.
ELEMENT	70 (M), 90 (N)	Type 8690	680594
	70 (M), 90 (N) 130 (P)	Type 8691, Type 8692, Type 8693, Type 8694	679013 684134
	CLASSIC	50 (D), 63 (E)	Type 8690, Type 8691, Type 8695,
80 (F)		Type 8697	689354
100 (G), 125 (H)			689355

DTS 1000102756 EN Version: AK Status: RL (released | freigegeben | validé) printed: 24.02.2025