



T-diaphragm valve with manually operated actuator (basic)

- Valve body and diaphragm are available in different materials and versions
- Product wetted surfaces in $Ra \leq 0.38 \mu\text{m} \dots 1.6 \mu\text{m}$ (optionally electropolished)
- Available in all common connection sizes and variants

Product variants described in the data sheet may differ from the product presentation and description.

Can be combined with

	Type SV02 Diaphragms	▶
	Type 2974 T-diaphragm valve with manually operated actuator (FullFunction)	▶
	Type 2933 2/2-way diaphragm valve with manually operated actuator (basic)	▶
	Type 2935 Tank bottom diaphragm valve with manually operated actuator (basic)	▶
	Type 2103 2/2-way diaphragm valve with pneumatic stainless steel actuator (Type ELEMENT) for decentralised automation	▶
	Type 8098 FLOWave SAW flowmeter	▶

Type description

The Type 2934 manually operated diaphragm valve consists of a manually operated actuator, a diaphragm and a T-valve body. The manual actuator with plastic handwheel is available with a diaphragm bonnet made of stainless steel or plastic and ensures use in hygienic or aggressive ambient conditions. The flow-optimised valve body with minimum dead space enables high flow values and a wide range of possible applications. The valve body and the diaphragms are available in all common materials and versions. The actuator has a compact, autoclavable design and is compatible with all other Bürkert diaphragm valves. An explosion-proof ATEX/IECEx device variant is available. The manual actuator is equipped with an integrated visual position indicator, a reproducible stroke scale and an adjustable closing limiter. The manual actuator can optionally be equipped with sensors for position feedback.

Table of contents

1. General technical data	3
2. Approvals and conformities	4
2.1. General notes	4
2.2. Conformity	4
2.3. Standards	4
2.4. Explosion protection	4
2.5. Foods and beverages/Hygiene	4
2.6. Others	4
3. Materials	5
3.1. Bürkert resistApp	5
3.2. Material specifications	5
3.3. Example of available diaphragm materials	6
4. Dimensions	7
4.1. Manual actuator	7
Diaphragm size 8...25	7
Diaphragm size 40...50	8
4.2. T-body with welded connection	9
4.3. T-body with clamp connection	13
5. Performance specifications	14
5.1. Medium pressure	14
6. Ordering information	14
6.1. Bürkert eShop	14
6.2. Bürkert product filter	14
6.3. Bürkert Product Enquiry Form	14

1. General technical data

Product properties	
Dimensions	Further information can be found in chapter "4. Dimensions" on page 7.
Material¹⁾	
Block body (VH) ¹⁾	Bloc material 1.4435 according to DIN EN 10088 and 316L according to ASTM A479 / A479M
Block body (VI) ¹⁾	Bloc material 1.4435 according to BN2 and 316L according to ASME BPE table DT- 3
Diaphragm	EPDM (AD) ¹⁾ , PTFE/EPDM (EA) ¹⁾ , Advanced PTFE/EPDM (EU) ¹⁾ , laminate of GYLON® and EPDM (ER) ¹⁾
Actuator (diaphragm bonnet/handwheel)	Stainless steel/PPS, PPS/PPS
Diaphragm size	8...50, for actuator PPS/PPS 15...50 (65...100 see Type 3234 ▶)
Standard surface quality²⁾	
Block body (VH/VI) ¹⁾	Internally electrically polished: Ra ≤ 0.38 µm (NO17) ¹⁾ (ASME BPE SF4/DIN HE4) (externally: Ra ≤ 1.6 µm) Internally mechanically polished: Ra ≤ 0.5 µm (NO14) ¹⁾ (ASME BPE SF1) (externally: Ra ≤ 1.6 µm)
Medium data	
Operating medium	Neutral gases and fluids, highly purified, sterile, aggressive or abrasive media (see resistance chart ▶)
Medium temperature	
EPDM (AD) ¹⁾	- 10...+ 143 °C (steam sterilisation + 150 °C for 60 min)
PTFE/EPDM (EA) ¹⁾	- 10...+ 130 °C (steam sterilisation + 140 °C for 60 min)
Advanced PTFE/EPDM (EU) ¹⁾	- 5...+ 143 °C (steam sterilisation + 150 °C for 60 min)
Laminate of GYLON® and EPDM (ER) ¹⁾	- 5...+ 130 °C (steam sterilisation + 140 °C for 60 min)
Process/Port connection & communication	
Nominal diameter (port connection)	DN 06...DN 100 (1/8"...4")
Port connection²⁾ for stainless steel body²⁾	
Welded connection ²⁾	DIN EN ISO 1127 / ISO 4200 / DIN 11866 series B DIN 11850 - 2 / DIN 11866 series A / DIN EN 10357 series A ASME BPE / DIN 11866 series C
Clamp connection ²⁾	DIN 32676 series A (DIN pipe) DIN 32676 series B (ISO pipe) ASME BPE
Environment and installation	
Installation position	See operating instructions Type 2934 ▶
Ambient temperature: actuator (diaphragm bonnet/handwheel)	
Stainless steel/PPS, PPS/PPS	- 10...+ 130 °C (short-term up to + 150 °C), autoclavable

1.) This information is part of the product key (see **"6.3. Bürkert Product Enquiry Form"** on page 14).

2.) Further versions are available on request.

2. Approvals and conformities

2.1. General notes

- The approvals and conformities listed below must be stated when making enquiries. This is the only way to ensure that the product complies with all required specifications.
- Not all available versions can be supplied with the below mentioned approvals or conformities.



2.2. Conformity

In accordance with the Declaration of Conformity, the product is compliant with the EU Directives.


2.3. Standards

The applied standards which are used to demonstrate compliance with the EU Directives are listed in the EU-Type Examination Certificate and/or the EU Declaration of Conformity.

2.4. Explosion protection

Approval	Description																
 	<p>Optional: Explosion protection (valid for the variable code PX51) As a category 2 device suitable for zone 1/21 and zone 2/22.</p> <p>ATEX: EPS 18 ATEX 2 008 X II 2G Ex h IIC T4...T2 Gb II 2D Ex h IIC T135 °C...T300 °C Db</p> <p>IECEx: IECEx EPS 18.0007X Ex h IIC T4...T2 Gb Ex h IIC T135 °C...T300 °C Db</p> <table border="1"> <thead> <tr> <th>Temperature class</th> <th>T2</th> <th>T3</th> <th>T4</th> </tr> </thead> <tbody> <tr> <td>Permissible surface temperature</td> <td>+ 300 °C</td> <td>+ 200 °C</td> <td>+ 135 °C</td> </tr> <tr> <td>Ambient temperature</td> <td>- 40...+ 130 °C</td> <td>- 40...+ 130 °C</td> <td>- 40...+ 100 °C</td> </tr> <tr> <td>Maximum medium temperature</td> <td>+ 285 °C</td> <td>+ 185 °C</td> <td>+ 125 °C</td> </tr> </tbody> </table>	Temperature class	T2	T3	T4	Permissible surface temperature	+ 300 °C	+ 200 °C	+ 135 °C	Ambient temperature	- 40...+ 130 °C	- 40...+ 130 °C	- 40...+ 100 °C	Maximum medium temperature	+ 285 °C	+ 185 °C	+ 125 °C
Temperature class	T2	T3	T4														
Permissible surface temperature	+ 300 °C	+ 200 °C	+ 135 °C														
Ambient temperature	- 40...+ 130 °C	- 40...+ 130 °C	- 40...+ 100 °C														
Maximum medium temperature	+ 285 °C	+ 185 °C	+ 125 °C														

2.5. Foods and beverages/Hygiene


Conformity	Description
FDA	<p>FDA – Code of Federal Regulations The diaphragms made of EPDM (AD), PTFE/EPDM (EA), Advanced PTFE/EPDM (EU) and laminate of GYLON® and EPDM (ER) comply with the Code of Federal Regulations published by the FDA (Food and Drug Administration, USA).</p>
USP	<p>United States Pharmacopeial Convention (USP) The diaphragms made of EPDM (AD), PTFE/EPDM (EA), Advanced PTFE/EPDM (EU) and laminate of GYLON® and EPDM (ER) are tested according to USP Class VI.</p>
	<p>EC Regulation 1935/2004 of the European Parliament and of the Council The diaphragms made of EPDM (AD), PTFE/EPDM (EA), Advanced PTFE/EPDM (EU) and laminate of GYLON® and EPDM (ER) are suitable for use with food and beverages (according to EC Regulation 1935/2004/EC).</p>

2.6. Others

Approval	Description
TA Luft	Technical instruction on air quality control (valid for the variable code PM01)

3. Materials

3.1. Bürkert resistApp



Bürkert resistApp – Chemical resistance chart

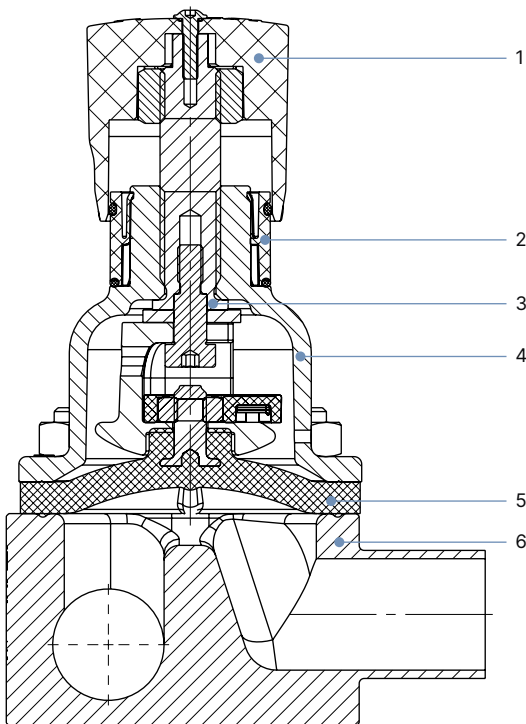
You want to ensure the reliability and durability of the materials in your individual application case? Verify your combination of media and materials on our website or in our resistApp.

[Start chemical resistance check](#)

3.2. Material specifications

Note:

Your product variant may differ from this illustration depending on the body and interface options.



No.	Element	Material
1	Handwheel	Polyphenylene sulphide (PPS)
2	Visual position indicator	Polyamide (PA)
3	Valve spindle	Stainless steel 1.4305
4	Diaphragm bonnet	Stainless steel 1.4308, Polyphenylene sulphide (PPS)
5	Diaphragm	EPDM (AD), PTFE/EPDM (EA), Advanced PTFE/EPDM (EU), laminate of GYLON® and EPDM (ER)
6	Valve body	See "1. General technical data" on page 3.

3.3. Example of available diaphragm materials

The diaphragms have been developed to meet the unique challenges of hygienic and sterile requirements. Bürkert offers diaphragms with precise material composition and high accuracy. Bürkert diaphragms are available in a wide range of materials which have been tested and proven in applications in the food and beverage, biotechnology, pharmaceutical and cosmetics industries. The diaphragms are tested during development and production to ensure reliability under difficult process conditions.



- EPDM (AD)
- PTFE/EPDM (EA)
- Advanced PTFE/EPDM (EU)
- Laminate of GYLON® and EPDM (ER)

For further information please refer to our flyer “Diaphragm competence for hygienic applications” on our [website](#) ►.

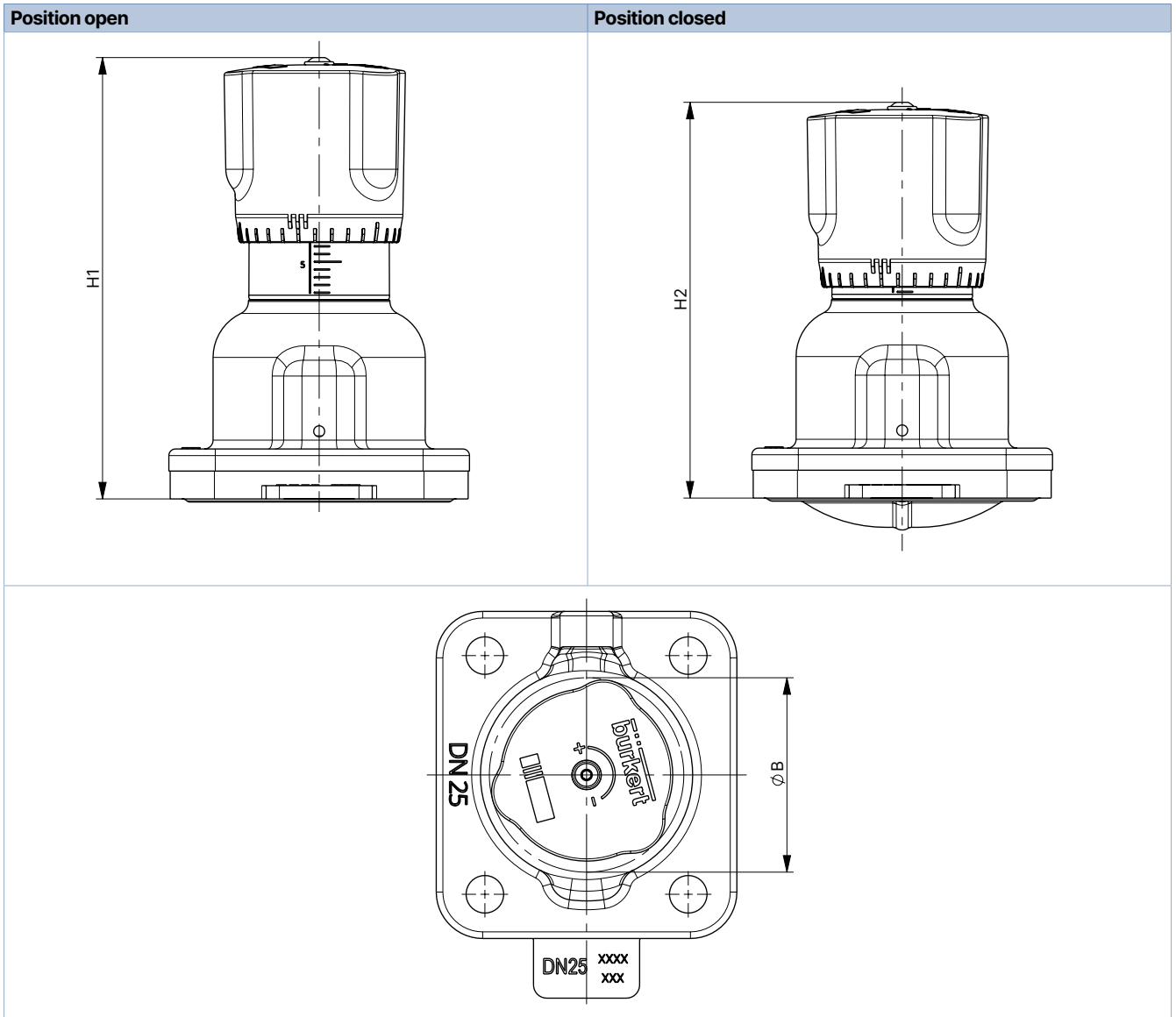
4. Dimensions

4.1. Manual actuator

Diaphragm size 8...25

Note:

Dimensions in mm

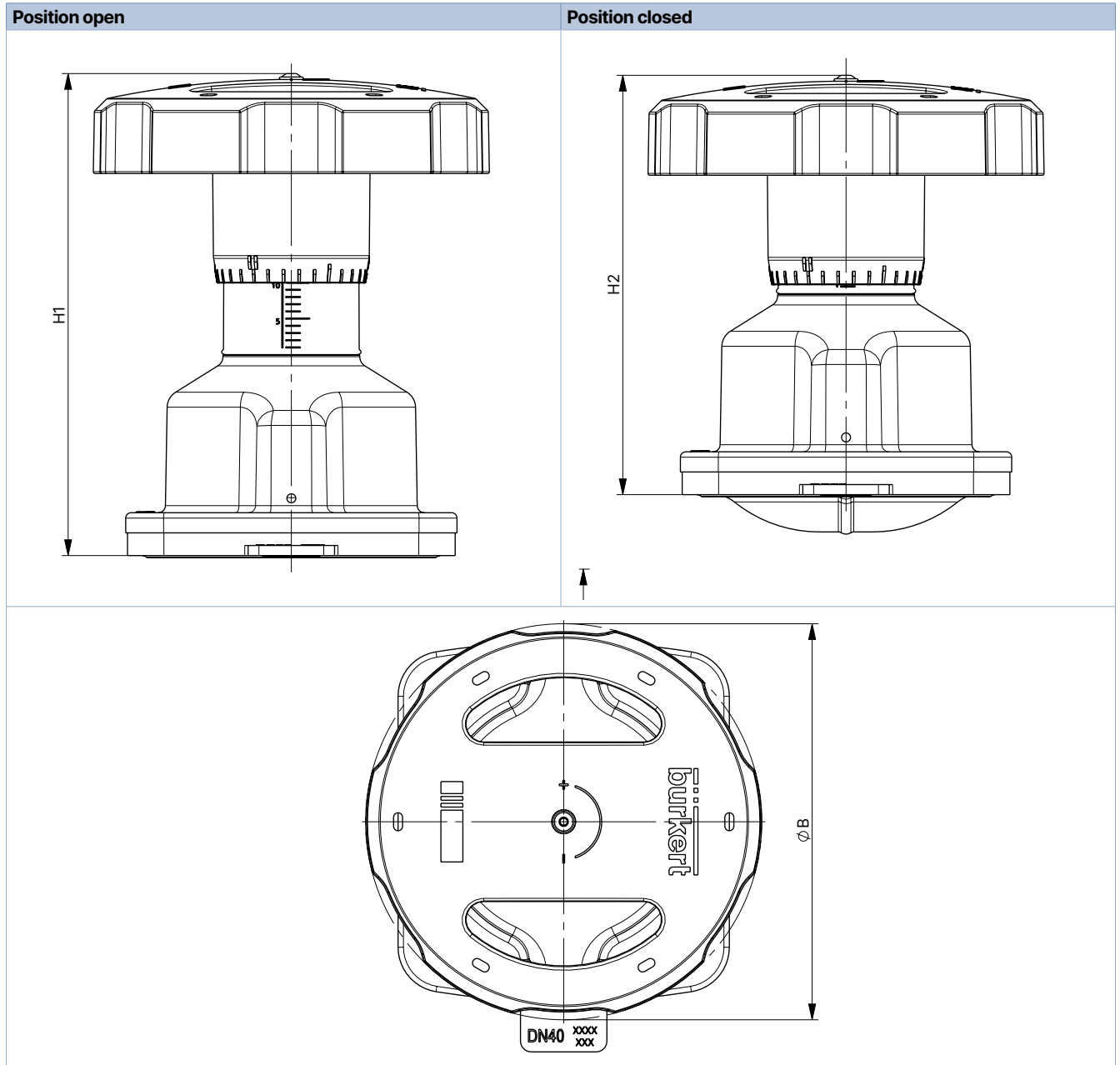


Diaphragm size	H1	H2	Ø B
8	54	49	35
15	84	78	45
20	95	86	45
25	101	90	45

Diaphragm size 40...50

Note:

Dimensions in mm



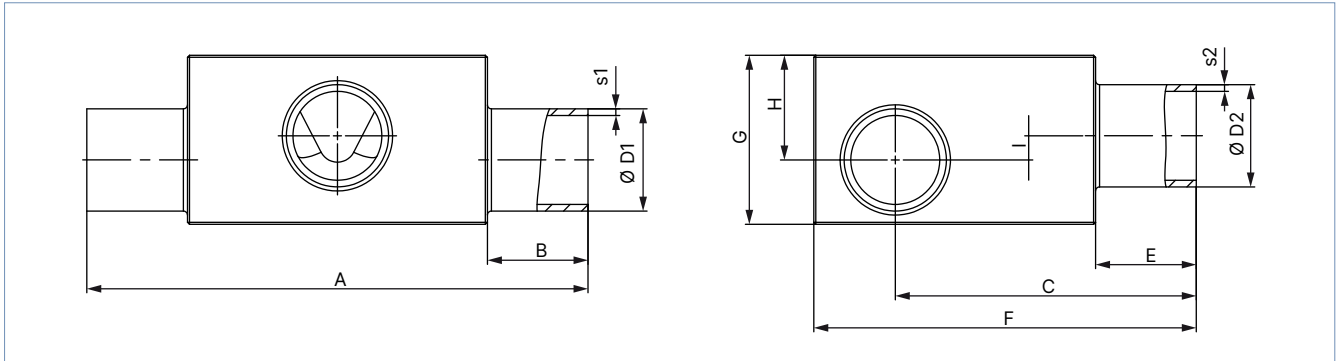
Diaphragm size	H1	H2	Ø B
40	134	116	110
50	149	125	110

DTS 1000584284 EN Version: D Status: RL (released | freigegeben | valide) printed: 18.12.2024

4.2. T-body with welded connection

Note:

Dimensions in mm



Diaphragm size	Port 1 – Port 2 DN	Ø D1	s1	Ø D2	s2	A	B	C	E	F	G	H	I	Product key ¹⁾ (Port 1 – Port 2)
DIN EN ISO 1127 / ISO 4200 / DIN 11866 series B														
8	8...8	13.5	1.6	13.5	1.6	78.0	20	47.2	20	60	24	15	5.0	SA40-SA40
	10...8	17.2		13.5		78.0		49.00		60	29	18	8.0	SA41-SA40
	10...10	17.2		17.2		78.0		49.00		60	29	18	8.0	SA41-SA41
	15...8	21.3		13.5		78.0		51.1		64	34	21	11.0	SA42-SA40
	15...10	21.3		17.2		78.0		51.1		64	34	21	11.0	SA42-SA41
	20...8	26.9		13.5		88.0		25		53.9	70	38	23	13.0
	20...10	26.9	17.2	88.0	53.9	70	38		23	13.0	SA43-SA41			
	25...8	33.7	2.0	13.5	88.0	53.9	76	45	26	16.0	SA44-SA40			
	25...10	33.7		17.2	88.0	53.9	76	45	26	16.0	SA44-SA41			
	32...8	42.4		13.5	88.0	60.50	84	52	29	19.0	SA45-SA40			
	32...10	42.4		17.2	88.0	61.20	84	52	29	19.0	SA45-SA41			
	40...8	48.3		13.5	88.0	64.2	90	57	31	21.0	SA46-SA40			
	40...10	48.3		17.2	88.0	64.2	90	57	31	20.0	SA46-SA41			
	50...8	60.3	2.3	13.5	30	98.0	70.2	102	66	34	24.0	SA47-SA40		
	50...10	60.3		17.2		98.0	70.2	102	66	34	24.0	SA47-SA41		
	65...8	76.1		13.5		98.0	78.1	118	80	40	30.0	SA48-SA40		
	80...8	88.9		13.5		98.0	84.2	131	92	46	36.0	SA49-SA40		
	80...10	88.9		17.2		98.0	84.2	131	92	46	35.0	SA49-SA41		

DTS 1000584284 EN Version: D Status: RL (released | freigegeben | valide) printed: 18.12.2024

Diaphragm size	Port 1 – Port 2 DN	ØD1	s1	ØD2	s2	A	B	C	E	F	G	H	I	Product key ¹⁾ (Port 1 – Port 2)	
15	8...8	13.5	1.6	13.5	1.6	93.0	20	52.05	20	70	27	17	4.5	SA40-SA40	
	10...8	17.2		13.5		93.0		53.9		70	31	18	4.5	SA41-SA40	
	10...10	17.2		17.2		93.0		54.9		70	28	16	2.5	SA41-SA41	
	15...8	21.3		13.5		93.0		57		71	34.5	21	7.5	SA42-SA40	
	15...15	21.3		21.3		93.0		56		71	35	21	6.5	SA42-SA42	
	20...8	26.9		13.5		103.0		25		59.8	76	41	25	11.5	SA43-SA40
	20...10	26.9	17.2	103.0	59.8	78	42		25	11.5	SA43-SA41				
	20...15	26.9	21.3	103.0	59.8	78	42		25	11.5	SA43-SA42				
	25...10	33.7	2.0	17.2	103.0	25	63	83	48	28	14.5	SA44-SA41			
	25...15	33.7		21.3	103.0		62.8	83	47	28	14.5	SA44-SA42			
	32...8	42.4		13.5	103.0		67.1	91	56	32	18.5	SA45-SA40			
	32...10	42.4		17.2	103.0		67.1	91	56	32	18.5	SA45-SA41			
	32...15	42.4		21.3	103.0		67.1	91	56	32	18.5	SA45-SA42			
	40...8	48.3		13.5	103.0		70.1	97	63	35	21.5	SA46-SA40			
	40...10	48.3	17.2	103.0	70.1	97	63	35	21.5	SA46-SA41					
	40...15	48.3	21.3	103.0	70.1	97	63	35	21.5	SA46-SA42					
	50...8	60.3	2.3	13.5	2.0	30	113.0	30	76.1	25	109	72	38	24.5	SA47-SA40
	50...10	60.3		17.2			113.0		76.1		109	72	38	24.5	SA47-SA41
	50...15	60.3		21.3			113.0		76.1		109	72	38	24.5	SA47-SA42
	65...8	76.1		13.5			113.0		84		125	85	44	30.5	SA48-SA40
65...15	76.1	21.3		113.0			84		125		85	44	30.5	SA48-SA42	
80...8	88.9	13.5		113.0			90.1		140		99	52	38.5	SA49-SA40	
80...10	88.9	17.2	113.0	90.1	137	94	47	33.5	SA49-SA41						
80...15	88.9	21.3	113.0	90.1	137	94	47	33.5	SA49-SA42						
100...15	114.3	21.3	113.0	102.8	163	120	60	46.5	SA39-SA42						
20	20...20	26.9	1.6	26.9	1.6	114.0	25	70.3	25	87	40	24	6.0	SA43-SA43	
	25...20	33.7	2.0	26.9		114.0		73.3		94	48	28	10.0	SA44-SA43	
	32...20	42.4	26.9	114.0		78.6		102		57	33	15.0	SA45-SA43		
	40...20	48.3	26.9	114.0		80.6		108		63	35	17.0	SA46-SA43		
	50...20	60.3	26.9	124.0		30	87	120.8		72	39	21.0	SA47-SA43		
	65...20	76.1	26.9	124.0			94.5	136		86	45	27.0	SA48-SA43		
	80...20	88.9	2.3	26.9			124.0	100.6		148	94	47	29.0	SA49-SA43	
	100...20	114.3	26.9	124.0			113.3	173		120	60	42.0	SA39-SA43		
25	25...25	33.7	2.0	33.7	2.0	124.5	25	78.6	25	98	53	33	13.0	SA44-SA44	
	32...25	42.4		33.7		124.5		82.9		107	62	38	18.0	SA45-SA44	
	40...25	48.3		33.7		124.5		85.9		114	69	41	21.0	SA46-SA44	
	50...25	60.3	33.7	134.5		30	81.9	125		78	45	25.0	SA47-SA44		
	65...25	76.1	33.7	134.5			99.8	142		94	52	32.0	SA48-SA44		
	80...25	88.9	2.3	33.7			134.5	105.9		153	101	54	34.0	SA49-SA44	
	150...25	168.3	2.6	33.7			134.5	145.3		232	174	87	67.0	SA69-SA44	
40	32...32	42.4	2.0	42.4	2.0	152.0	25	98.00	25	122	62	38	9.4	SA45-SA45	
	40...32	48.3		42.4		152.0		100		128	68	41	12.4	SA46-SA45	
	40...40	48.3		48.3		152.0		100		128	68	41	12.4	SA46-SA46	
	50...32	60.3		42.4		162.0		30		106	140	82	48	19.4	SA47-SA45
	50...40	60.3		48.3		162.0	106			140	82	48	19.4	SA47-SA46	
	65...40	76.1		48.3		162.0	113.9	155		97	55	26.4	SA48-SA46		
	80...32	88.9	2.3	42.4		162.0	120	168		108	60	31.4	SA49-SA45		
	80...40	88.9		48.3		162.0	120	168		108	60	31.4	SA49-SA46		
	100...32	114.3		42.4		162.0	132.7	193		129	68	39.4	SA39-SA45		
	100...40	114.3		48.3		162.0	132.7	193		129	68	39.4	SA39-SA46		

DTS 1000584284 EN Version: D Status: RL (released | freigegeben | valide) printed: 18.12.2024

Diaphragm size	Port 1 – Port 2 DN	ØD1	s1	ØD2	s2	A	B	C	E	F	G	H	I	Product key ¹⁾ (Port 1 – Port 2)
50	50...50	60.3	2.0	60.3	2.0	188.0	30	120.2	30	154	82	48	12.5	SA47-SA47
	65...50	76.1		60.3		188.0		128.1		170	100	56	20.5	SA48-SA47
	80...50	88.9	2.3	60.3	188.0	134.2	183	110	61	25.5	SA49-SA47			
	100...50	114.3		60.3	188.0	146.9	208	131	70	34.5	SA39-SA47			
	150...50	168.3	2.6	60.3	188.0	173.6	261	176	88	52.5	SA69-SA47			
DIN 11850 - 2 / DIN 11866 series A / DIN EN 10357 series A														
8	10...10	13.0	1.5	13.0	1.5	78.0	20	47.0	20	60	24	15	5.0	SD40-SD40
	20...10	23.0		13.0		88.0	25	52.0		66	36	22	12.0	SD43-SD40
15	15...15	19.0	1.5	19.0	1.5	93.0	20	55.9	20	70	33	20	6.5	SD42-SD42
	20...15	23.0		19.0		103.0	57.9	72		37	22.5	9	SD43-SD42	
	25...15	29.0	19.0	103.0	25	60.9	78	43	26	12.5	SD44-SD42			
	32...15	35.0	19.0	103.0	63.9	84	49	29	15.5	SD45-SD42				
	40...15	41.0	19.0	103.0	66.9	91	56	31	17.5	SD46-SD42				
20	50...15	53.0	19.0	113.0	30	72.9	102	65	36	22.5	SD47-SD42			
	20...20	23.0	1.5	23.0	1.5	114.0	25	68.7	25	85	36	21	-	SD43-SD43
	32...20	35.0		23.0		114.0	74.4	95		50	29	11.0	SD45-SD43	
40...20	41.0	23.0		114.0		77.4	101	56		32	14.0	SD46-SD43		
25	25...25	29.0	1.5	29.0	1.5	124.5	25	76.7	25	98	48	30	10.0	SD44-SD44
	40...25	41.0		29.0		124.5	82.7	106		61	38	18.0	SD46-SD44	
	50...25	53.0		29.0		134.5	30	88.7		120	73	44	24.0	SD47-SD44
40	32...32	35.0	1.5	35.0	1.5	152.0	25	95	25	119	52	32	9	SD45-SD45
	40...40	41.0		41.0		152.0	97.3	121		62	37	8.4	SD46-SD46	
	50...40	53.0		41.0		162.0	30	102.8		133	75	45	16.4	SD47-SD46
50	50...50	53.0	1.5	53.0	1.5	188.0	30	117.0	30	147	74	44	8.5	SD47-SD47
ASME BPE / DIN 11866 series C														
8	20...8	19.05	1.65	6.35	0.89	88.0	25	49.90	20	61	32	20	10.0	SA93-SA90
	25...10	25.40		9.53		88.0	25	53.00		68	38	23	13.0	SODF-SA91
	40...8	38.10		6.35		88.0	25	59.40		80	49	28	18.0	SODH-SA90
	50...8	50.80		6.35		98.0	30	65.80		93	59	32	22.0	SODI-SA90
	65...8	63.50		6.35		98.0	72.10	106		70	36	26.0	SODJ-SA90	
15	15...15	12.70	1.65	12.70	1.65	93.0	20	53.20	20	70	27	13.5	-	SA92-SA92
	20...15	19.05		12.70		103.0	55.80	70		31	18.5	5.0	SA93-SA92	
	25...15	25.40		12.70		103.0	59.00	75		40	24	10.5	SODF-SA92	
	40...15	38.10		12.70		103.0	25	65.30		88	54	31	17.5	SODH-SA92
	50...15	50.80		12.70		113.0	30	71.70		100	64	35	21.5	SODI-SA92
	65...15	63.50		12.70		113.0	78.00	113		73	38	24.5	SODJ-SA92	
	80...15	76.20		12.70		113.0	84.40	125		84	43	29.5	SODK-SA92	
20	20...20	19.05	1.65	19.05	1.65	114	25	66.30	25	85	36	18	-	SA93-SA93
	25...20	25.40		19.05		114	69.20	88		40	24	6.0	SODF-SA93	
	40...20	38.10		19.05		114	75.80	98		53	31	13.0	SODH-SA93	
	50...20	50.80		19.05		124	30	82.20		111	66	37	19.0	SODI-SA93
	65...20	63.50		19.05		124	88.50	123		75	40	22.0	SODJ-SA93	
	80...20	76.20		19.05		124	94.90	136		85	44	26.0	SODK-SA93	
	100...20	101.60		2.11		19.05	124	107.10		161	108	54	36.0	SODL-SA93
25	25...25	25.40	1.65	25.40	1.65	124.5	25	74.8	25	95	42	26	6.0	SODF-SODF
	40...25	38.10		25.40		124.5	81.1	103		58	36	16.0	SODH-SODF	
	50...25	50.80		25.40		134.5	30	87.5		120	75	44	24.0	SODI-SODF
	65...25	63.50		25.40		134.5	93.8	129		82	47	27.0	SODJ-SODF	
	80...25	76.20		25.40		134.5	100.15	142		94	52	32.0	SODK-SODF	
40	40...40	38.10	1.65	38.10	1.65	152.0	25	99.60	25	121	58	35	6.4	SODH-SODH
	50...40	50.80		38.10		162.0	30	101.6		131	72	43	14.4	SODI-SODH
	65...40	63.50		38.10		162.0	107.90	143		85	50	21.4	SODJ-SODH	
	80...40	76.20		38.10		162.0	114.3	156		98	56	27.4	SODK-SODH	

DTS 1000584284 EN Version: D Status: RL (released | freigegeben | valide) printed: 18.12.2024

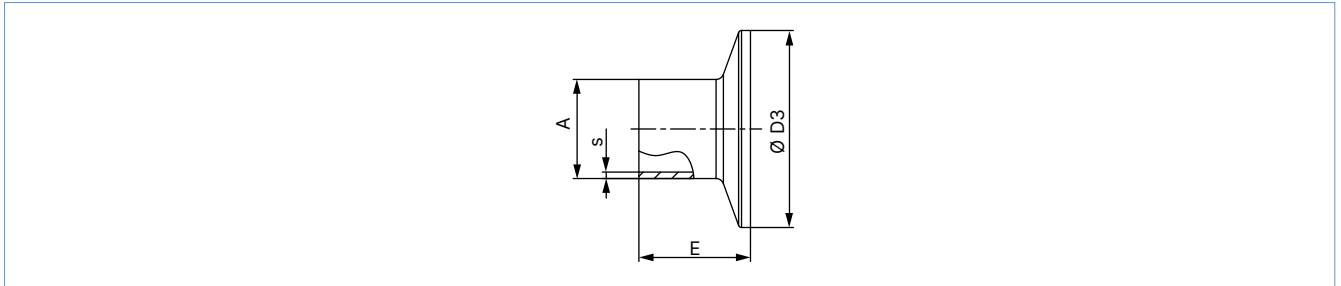
Diaphragm size	Port 1 – Port 2 DN	ØD1	s1	ØD2	s2	A	B	C	E	F	G	H	I	Product key ¹⁾ (Port 1 – Port 2)
50	50...50	50.80	1.65	50.80	1.65	188.0	30	115.8	30	145	71	42	6.5	SODI-SODI
	65...50	63.50		50.80		188.0		122.10		157	85	50	14.5	SODJ-SODI
	65...65	63.50		63.50		188.0		122.10		158	86	50	14.5	SODJ-SODJ
	80...50	76.20		50.80		188.0		128.5		169	98	56	20.5	SODK-SODI
	100...65	101.60	2.11	63.50	188.0	140.7	195	120	66	30.5	SODL-SODJ			
SMS 3008														
25	25...25	25.0	1.2	25.0	1.2	124.5	25	75.0	25	95	43	27	7.0	SA60-SA60
	40...25	38.0		25.0		124.5		81.5		103	58	36	16.0	SA62-SA60
	50...25	51.0		25.0		134.5		30		88.0	118	72	42	22.0
40	40...40	38.0	1.2	38.0	1.2	152.0	25	95.6	25	121	58	35	6.4	SA62-SA62
	50...40	51.0		38.0		162.0		30		102.1	131	73	44	15.4
50	50...50	51.0	1.2	51.0	1.2	188.0	30	120.2	30	154	82	48	2.5	SA63-SA63
DIN 11850-0														
8	04...04	6.0	1.0	6.0	1.0	78.0	20	44.0	20	60	15	6.5	0.0	SC40-SC40
	06...06	8.0		8.0		75.0		17.5		46.5	60	13	7	0.0
	40...04	40.0	1.5	6.0	1.5	88.0	25	60.5	25	83	51	29	19.0	SC47-SC40
	40...8	40.0		10.0		88.0		60.5		83	51	29	19.0	SC47-SC42
	50...04	52.0		6.0		98.0		30		66.5	95	60	32	22.0
15	50...15	52.0	1.5	18.0	1.5	113.0	30	72.4	20	101	65	36	22.5	SC48-SC43
25	25...25	28.0	1.5	28.0	1.5	124.5	25	76.2	25	95	46	29	9.0	SC45-SC45
	50...25	52.0		28.0		134.5		30		91.2	120	71	42	22.0
40	25...32	28.0	1.5	34.0	1.5	152.0	25	90.3	25	122	58	32	3.4	SC45-SC46
	50...32	52.0		34.0		162.0		30		102.3	132	75	45	16.4
50	50...50	52.0	1.5	52.0	1.5	188.0	30	116.5	30	147	73	43	7.5	SC48-SC48

1.) This information is part of the product key (see "6.3. Bürkert Product Enquiry Form" on page 14).

4.3. T-body with clamp connection

Note:

- Dimensions in mm
- Clamp dimensions must be added to the welded connection dimensions.



Port connection		A	s	D3	E	Product key ^{1.)}
[mm]	[inch]					
DIN 32676 series A (DIN pipe)						
10	–	13	1.5	34.0	18	TD41
15	–	19	1.5	34.0	18	TD42
20	–	23	1.5	34.0	18	TD43
25	–	29	1.5	50.5	21.5	TD44
32	–	35	1.5	50.5	21.5	TD45
40	–	41	1.5	50.5	21.5	TD46
50	–	53	1.5	64.0	21.5	TD47
DIN 32676 series B (ISO pipe)						
8	–	13.5	1.6	25.0	28.6	TC40
8	–	13.5	1.6	34.0 ^{2.)}	28.6	TC51 ^{2.)}
10	–	17.2	1.6	34.0 ^{2.)}	28.6	TC41 ^{2.)}
15	–	21.3	1.6	34.0 ^{2.)}	28.6	TC42 ^{2.)}
15	–	21.3	1.6	50.5	28.6	TC52
20	–	26.9	1.6	50.5	28.6	TC43
25	–	33.7	2	50.5	28.6	TC44
32	–	42.4	2	50.5 ^{2.)}	28.6	TC45 ^{2.)}
40	–	48.3	2	64.0	28.6	TC46
50	–	60.3	2	77.5	28.6	TC47
ASME BPE						
8	¼"	6.35	0.89	25.0	28.6	TG50
10	⅜"	9.53	0.89	25.0	28.6	TG01
15	½"	12.7	1.65	25.0	28.6	TG02
20	¾"	19.05	1.65	25.0	28.6	TG03
25	1"	25.4	1.65	50.5	28.6	TG04
40	1½"	38.1	1.65	50.5	28.6	TG05
50	2"	50.8	1.65	64.0	28.6	TG06

1.) This information is part of the product key (see "6.3. Bürkert Product Enquiry Form" on page 14).

2.) Deviating from standard, because of different clamp outer diameter

5. Performance specifications

5.1. Medium pressure

Diaphragm size DN	Actuator material (diaphragm bonnet/handwheel)	Operating pressure max. for seal material
		EPDM, PTFE/EPDM, advanced PTFE/EPDM, laminate of GYLON® and EPDM (ER) Max. [bar]
8...50	Stainless steel/PPS	10
15...40	PPS/PPS	10
50	PPS/PPS	7

6. Ordering information

6.1. Bürkert eShop



Bürkert eShop – Easy ordering and quick delivery

You want to find your desired Bürkert product or spare part quickly and order directly? Our online shop is available for you 24/7. Sign up and enjoy all the benefits.

[Order online now](#)

6.2. Bürkert product filter



Bürkert product filter – Get quickly to the right product

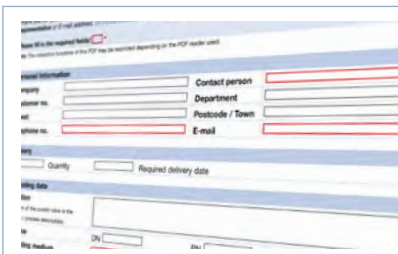
You want to select products comfortably based on your technical requirements? Use the Bürkert product filter and find suitable articles for your application quickly and easily.

[Try out our product filter](#)

6.3. Bürkert Product Enquiry Form

Note:

Please see our Product Enquiry Form for a full explanation of our specification key.



Bürkert Product Enquiry Form – Your enquiry quickly and compactly

Would you like to make a specific product enquiry based on your technical requirements? Use our Product Enquiry Form for this purpose. There you will find all the relevant information for your Bürkert contact. This will enable us to provide you with the best possible advice.

[Fill out the form now](#)

DTS 1000584284 EN Version: D Status: RL (released | freigegeben | valide) printed: 18.12.2024