



Manually operated 2/2-way angle seat valve

- High flow rates
- Long service life
- Robust actuator with optional stroke limitation and locking
- Flow-optimised stainless steel valve body with socket, clamp or welded connection

Product variants described in the data sheet may differ from the product presentation and description.

Can be combined with

	Type 2101 Pneumatically operated 2/2-way globe valve ELEMENT for decentralised automation	▶
	Type 2000 Pneumatically operated 2/2-way angle seat valve CLASSIC	▶
	Type 2921 Manually operated 2/2-way globe valve	▶
	Type 2961 Manually operated 2-way globe control valve	▶
	Type 8801 ELEMENT On/Off valve systems with decentralised automation – overview	▶
	Type 8840 Modular process valve cluster – distributor and collector	▶

Type description

The Type 2920 angle seat valve consists of a manual actuator and a 2-way body made of high-quality stainless steel. With a flow-optimised valve body, the manually operated valve offers diverse usage options to shut off both neutral and aggressive gaseous and liquid media. The tried-and-tested self-adjusting spindle seal guarantees optimal tightness and therefore enables low-maintenance operation, even at high switching cycles. Depending on the application, the soft PTFE or PEEK seal ensures a reliable valve seat seal, even under challenging operating conditions.

The actuator is made of high-quality plastic and is suitable for use in demanding environments. It possesses a visual position indicator and can be optionally equipped with stroke limitation and locking.

Table of contents

1. General technical data	3
<hr/>	
2. Approvals and conformities	4
2.1. General notes	4
2.2. Conformity	4
2.3. Standards	4
2.4. Explosion protection.....	4
2.5. Drinking water	4
2.6. Foods and beverages/Hygiene	5
<hr/>	
3. Materials	6
3.1. Bürkert resistApp	6
3.2. Material specifications	6
<hr/>	
4. Dimensions	7
4.1. Actuator	7
4.2. Body with threaded connection.....	8
4.3. Body with welded connection	9
4.4. Body with clamp connection	10
<hr/>	
5. Performance specifications	11
5.1. Fluidic data.....	11
Overview of fluidic data for flow below seat (for liquids, steam and gases)	11
5.2. Operating limits	12
Operating limits for medium temperature and operating pressure	12
Operating limits for optional versions.....	12
<hr/>	
6. Product design and assembly	13
6.1. Product features	13
<hr/>	
7. Ordering information	14
7.1. Bürkert eShop	14
7.2. Bürkert product filter	14
7.3. Bürkert Product Enquiry Form	14

1. General technical data

Product properties	
Dimensions	Further information can be found in chapter “4. Dimensions” on page 7
Material	Further information can be found in chapter “3. Materials” on page 6
Design	Angle seat valve on/off
Nominal diameter	DN 10...DN 80, NPS 3/8...NPS 3
Flow direction	Flow to open (below seat)
Performance data	
Operating pressure	0 bar(g)...25 bar(g), see “5.1. Fluidic data” on page 11
Nominal pressure	PN 25 (DIN EN 1333), Class 150 (DIN EN 1759)
Seat leakage	Leakage rate A (DIN EN 12266 - 1), seat seal PTFE and PEEK, test medium air, see “5.1. Fluidic data” on page 11
K _v value	5 m ³ /h...90 m ³ /h, see “5.1. Fluidic data” on page 11
Medium data	
Process medium	Steam, water, neutral gases, alcohol, oils, fuels, hydraulic fluids, salt solutions, alkalis, organic solvents
Medium temperature	- 40 °C...230 °C, see “5.2. Operating limits” on page 12
Viscosity	Max. 600 mm ² /s
Process/Port connection and communication	
Port connection	
Threaded connection	G (DIN ISO 228 - 1) NPT (ASME B1.20.1) RC (ISO 7 - 1)
Welded connection	DIN EN ISO 1127 / ISO 4200 / DIN 11866 series B DIN 11850 - 2 / DIN 11866 series A ASME BPE / DIN 11866 series C SMS 3008
Clamp connection	DIN 32676 series B (pipe: ISO 4200) DIN 32676 series A (pipe: DIN 11850 - 2) ASME BPE
Approvals and conformities	
Further information can be found in chapter “2. Approvals and conformities” on page 4	
Environment and installation	
Ambient temperature	- 10 °C...+ 60 °C
Installation position	As required, preferably with actuator in upright position

2. Approvals and conformities

2.1. General notes

- The approvals and conformities listed below must be stated when making enquiries. This is the only way to ensure that the product complies with all required specifications.
- Not all available versions can be supplied with the below mentioned approvals or conformities.

2.2. Conformity



In accordance with the Declaration of Conformity, the product is compliant with the EU Directives. This includes the following directives:

- Pressure Equipment Directive 2014/68/EU


2.3. Standards

The applied standards which are used to demonstrate compliance with the EU Directives are listed in the EU-Type Examination Certificate and/or the EU Declaration of Conformity.

2.4. Explosion protection



Approval	Description																
 	<p>Optional: Explosion protection (valid for the variable code PX51) As a category 2 device suitable for zone 1/21 and zone 2/22.</p> <p>ATEX: EPS 18 ATEX 2 008 X II 2G Ex h IIC T4...T2 Gb II 2D Ex h IIIC T135 °C...T300 °C Db</p> <p>IECEx: IECEx EPS 18.0007X Ex h IIC T4...T2 Gb Ex h IIIC T135 °C...T300 °C Db</p> <table border="1"> <thead> <tr> <th>Temperature class</th> <th>T2</th> <th>T3</th> <th>T4</th> </tr> </thead> <tbody> <tr> <td>Maximum surface temperature</td> <td>+ 300 °C</td> <td>+ 200 °C</td> <td>+ 135 °C</td> </tr> <tr> <td>Ambient temperature</td> <td>- 40...+ 130 °C</td> <td>- 40...+ 130 °C</td> <td>- 40...+ 100 °C</td> </tr> <tr> <td>Maximum medium temperature</td> <td>+ 285 °C</td> <td>+ 185 °C</td> <td>+ 125 °C</td> </tr> </tbody> </table> <p>Note: The ambient and medium temperature range may be limited by non-ex-relevant specifications. Observe the Operating Instructions.</p>	Temperature class	T2	T3	T4	Maximum surface temperature	+ 300 °C	+ 200 °C	+ 135 °C	Ambient temperature	- 40...+ 130 °C	- 40...+ 130 °C	- 40...+ 100 °C	Maximum medium temperature	+ 285 °C	+ 185 °C	+ 125 °C
Temperature class	T2	T3	T4														
Maximum surface temperature	+ 300 °C	+ 200 °C	+ 135 °C														
Ambient temperature	- 40...+ 130 °C	- 40...+ 130 °C	- 40...+ 100 °C														
Maximum medium temperature	+ 285 °C	+ 185 °C	+ 125 °C														

2.5. Drinking water

Conformity	Description
	<p>Suitable for use in drinking water applications The materials comply with the assessment principles (UBA) for materials in contact with drinking water (TrinkwasserV).</p> <p>Stainless steel body PF39: Suitable for products with medium temperature up to 85 °C (hot water)</p>

DTS 1000599138 EN Version: E Status: RL (released | freigegeben | validé) printed: 06.03.2025

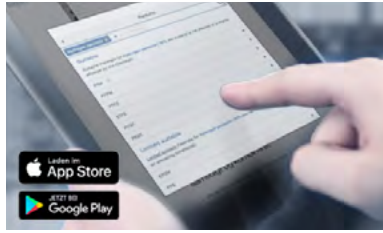
2.6. Foods and beverages/Hygiene

Conformity	Description
<p>FDA</p>	<p>FDA – Code of Federal Regulations (valid for the variable code PL02) All wetted materials are compliant with the Code of Federal Regulations published by the FDA (Food and Drug Administration, USA) according to the manufacturer’s declaration.</p>
	<p>EC Regulation 1935/2004 of the European Parliament and of the Council (valid for the variable code PL01, PL02) All wetted materials are compliant with EC Regulation 1935/2004/EC according to the manufacturer’s declaration.</p>
	<p>China food GB Standards of the People’s Republic of China (valid for the variable code PL10) All wetted materials are compliant with the requirement of China food GB Standards according to the manufacturer’s declaration.</p>

DTS 1000599138 EN Version: E Status: RL (released | freigegeben | validé) printed: 06.03.2025

3. Materials

3.1. Bürkert resistApp

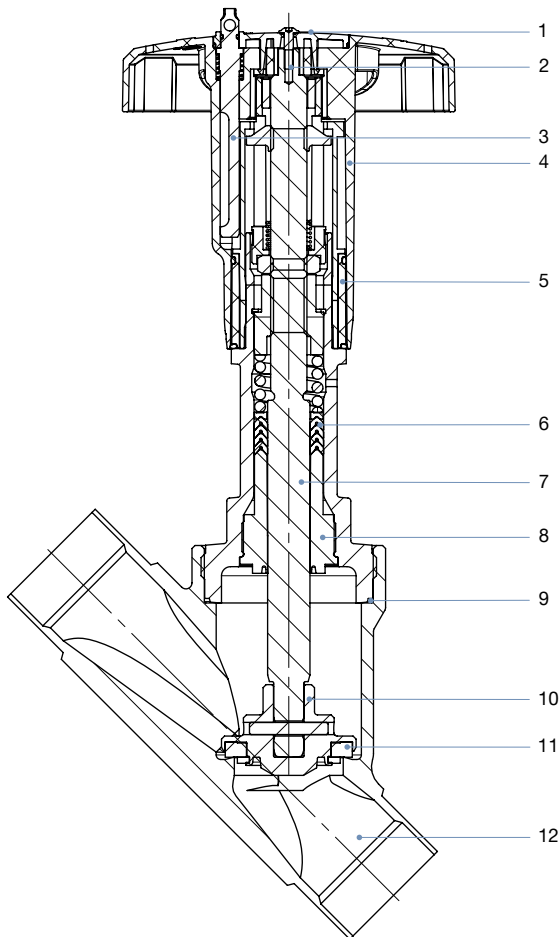


Bürkert resistApp – Chemical resistance chart

You want to ensure the reliability and durability of the materials in your individual application case? Verify your combination of media and materials on our website or in our resistApp.

[Start chemical resistance check](#)

3.2. Material specifications



No.	Element	Material
1	Cover	Polyamide (PA)
2	Screw	Stainless steel 1.4301
3	Lock pin	Stainless steel 1.4305
4	Handwheel	Polyphenylene sulfide (PPS)
5	Optical position indicator with scale	Polyamide (PA)
6	Spindle seal	PTFE V-rings (filled), with spring compensation
7	Spindle	Stainless steel 1.4401 or 1.4404
8	Spindle guide	Stainless steel 1.4404 (316L), PTFE filled
9	Body seal	Graphite
10	Swivel plate	Stainless steel 1.4401 (316)/1.4404 (316L)
11	Seat seal (optional)	PTFE or PEEK
12	Valve body	Stainless steel 316L/CF3M

DTS 1000599138 EN Version: E Status: RL (released | freigegeben | validé) printed: 06.03.2025

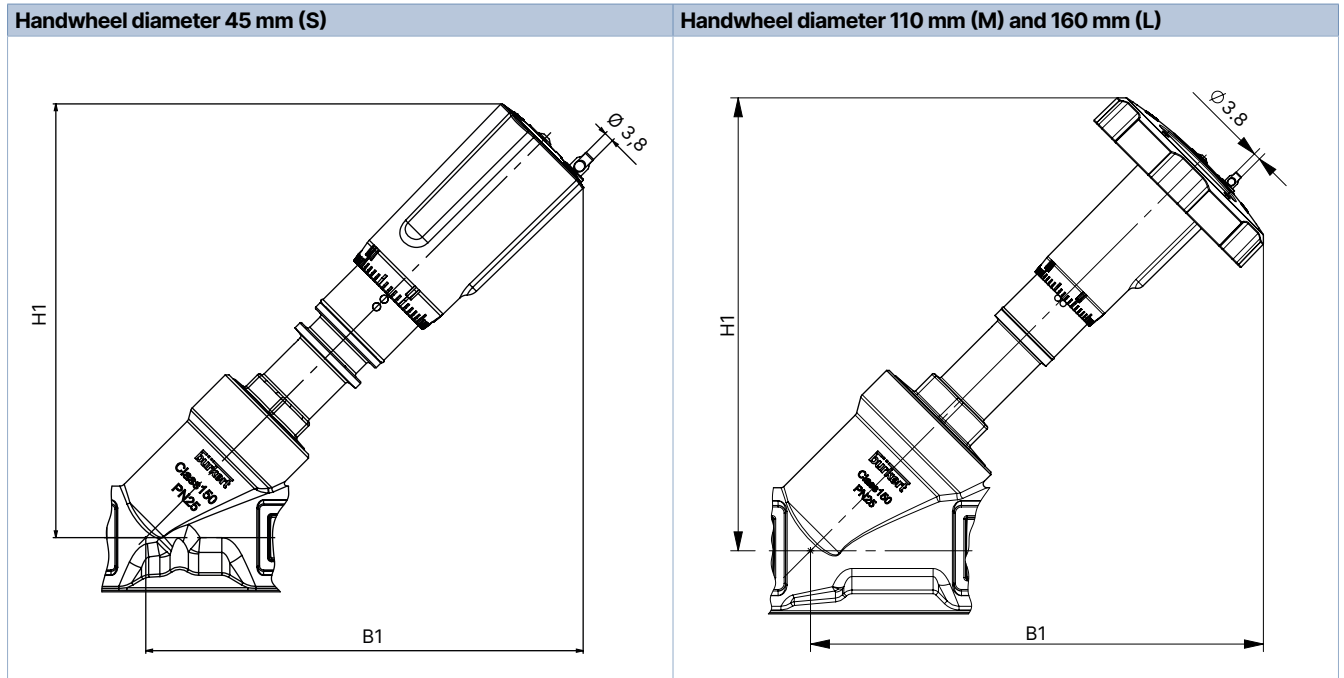
4. Dimensions

4.1. Actuator

Note:

Dimensions in mm

Dimensions in mm



Nominal connection size (pipe)		Handwheel diameter Ø	B1 ¹⁾	H1 ¹⁾
[DN]	[NPS]	[mm]		
15	½	45 (S)	148	148
20	¾	45 (S)	154	154
25	1	45 (S)	163	163
32	1 ¼	45 (S)	171	171
40	1 ½	45 ²⁾ (S), 110 (M)	224	224
50	2	110 (M)	241	241
65	2 ½	160 (L)	290	290
80	3	160 (L)	308	310

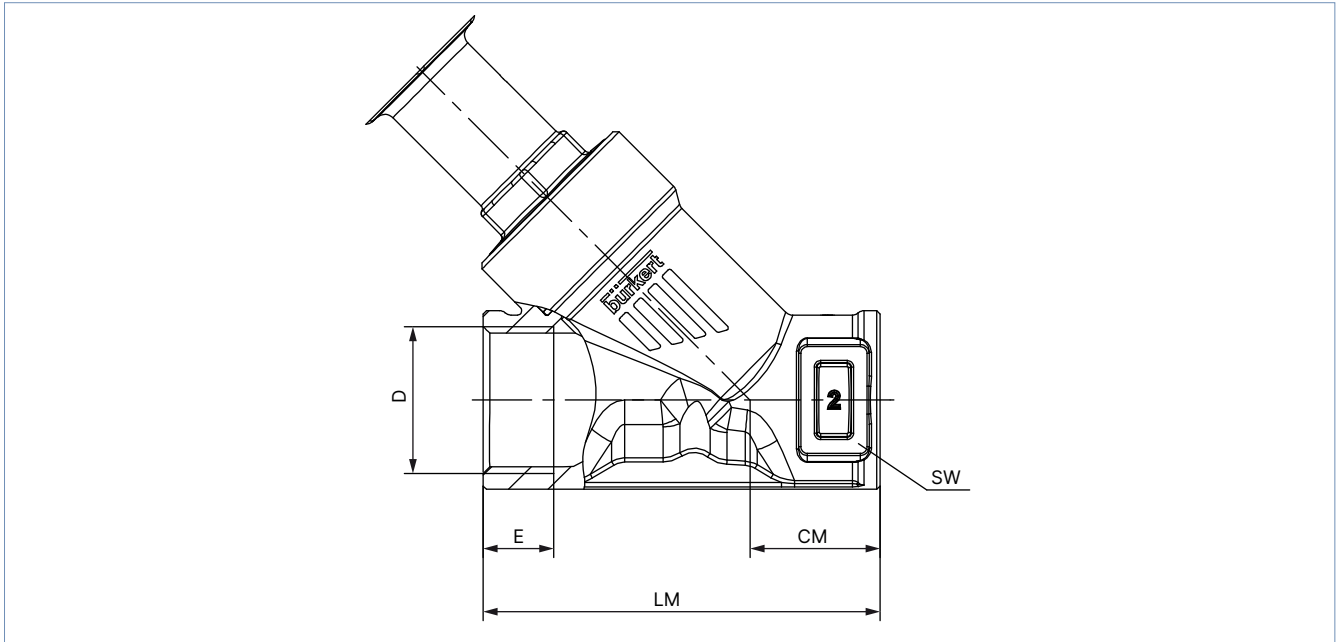
1.) The dimensions for B and H are maximum dimensions and may be up to 6 mm less, depending on the nominal diameter and standard.

2.) At an operating pressure of less than 16 bar

4.2. Body with threaded connection

Note:

Dimensions in mm



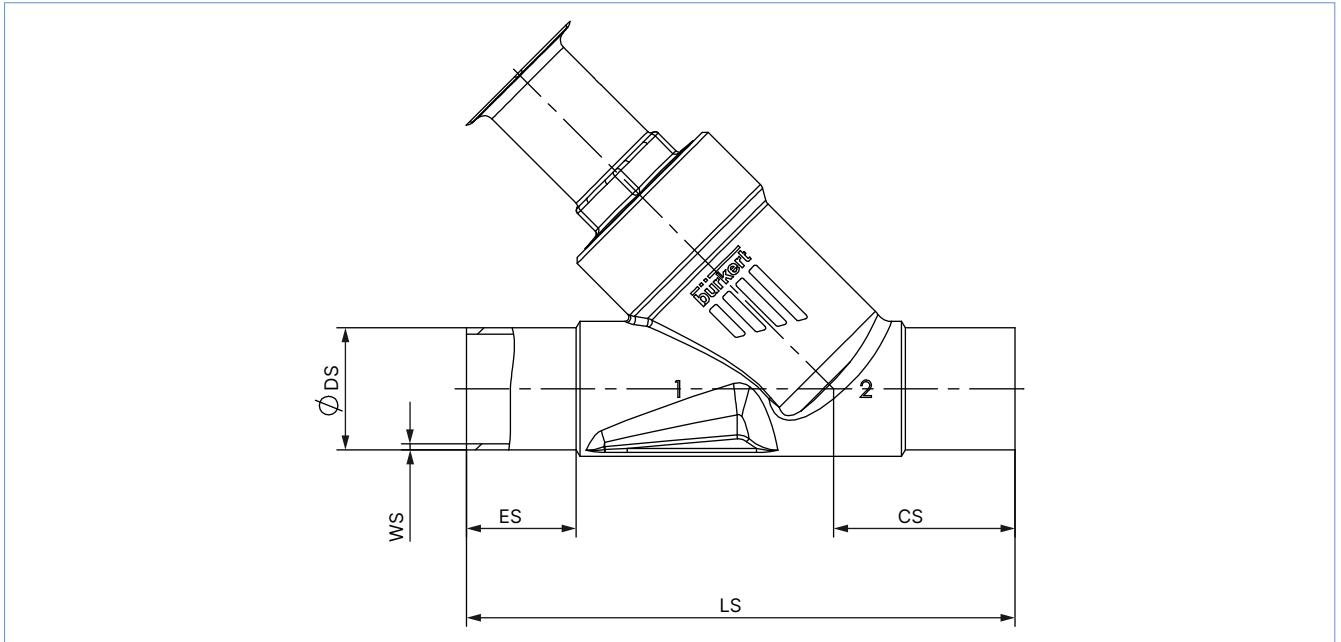
Nominal diameter (pipe)	G (DIN ISO 228 - 1), NPT (ASME B 1.20.1), Rc (ISO7 - 1)				CM	LM	SW
	D	E					
[DN]	[NPS]	[G]	[NPT]	[Rc]			
15	1/2	14	13.7	13.2	24	65	27
20	3/4	16	14.0	14.5	27	75	34
25	1	18	16.8	16.8	29.5	90	41
32	1 1/4	16	17.3	19.1	36	110	50
40	1 1/2	18	17.3	19.1	35	120	55
50	2	24	17.6	23.4	45	150	70
65	2 1/2	26	23.7	26.7	57	185	85
80	3	28	-	-	71	220	100

DTS 1000599138 EN Version: E Status: RL (released | freigegeben | validé) printed: 06.03.2025

4.3. Body with welded connection

Note:

Dimensions in mm



Nominal diameter (pipe)	DIN EN ISO 1127 ISO 4200 DIN 11866 B					DIN 11850 2 DIN 11866 A				
	ES	CS	LS	Ø DS	WS	ES	CS	LS	Ø DS	WS
15	19	34	100	21.3	1.6	19	34	100	19	1.5
20	20	39	115	26.9	1.6	20	39	115	23	1.5
25	26	43	130	33.7	2.0	26	43	130	29	1.5
32	26	45	145	42.4	2.0	26	45	145	35	1.5
40	26	49	160	48.3	2.0	26	49	160	41	1.5
50	26	50	175	60.3	2.0	26	50	175	53	1.5
65	26	50	210	76.1	2.3	26	50	210	70	2
80	26	88.5	266	88.9	2.3	26	88.5	266	85	2

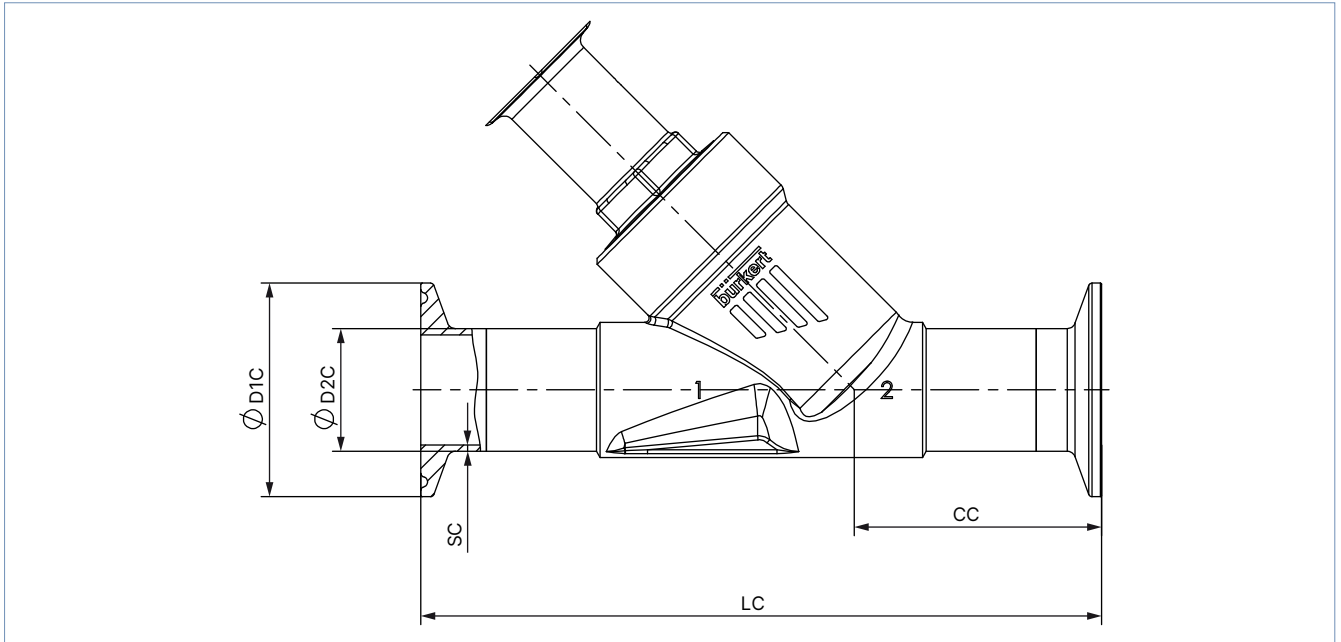
Nominal diameter (pipe)	ASME BPE DIN 11866 C				
[NPS]	ES	CS	LS	Ø DS	WS
1/2	30	46	135	12.7	1.65
3/4	30	52	145	19.05	1.65
1	30	51	152	25.4	1.65
1 1/2	30	60	182	38.1	1.65
2	30	64	210	50.8	1.65
2 1/2	26	56	230	63.5	1.65
3	26	88.5	266	76.2	1.65

DTS 1000599138 EN Version: E Status: RL (released | freigegeben | validé) printed: 06.03.2025

4.4. Body with clamp connection

Note:

Dimensions in mm



Nominal diameter (pipe)	Clamp: DIN 32676 B					Clamp: DIN 32676 A (DN 15, similar to DIN 32676 B)				
	Pipe: DIN EN ISO 1127 ISO 4200 DIN 11866 B					Pipe: DIN 11850 2 DIN 11866 A				
DN	LC	CC	Ø D1 C	Ø D2 C	SC	LC	CC	Ø D1 C	Ø D2 C	SC
15	156	49.0	50.5	21.3	1.6	130	49.5	34.0	19	1.5
20	150	56.5	50.5	26.9	1.6	150	57.0	34.0	23	1.5
25	160	58.0	50.5	33.7	2.0	160	58.5	50.5	29	1.5
32	200	57.5	50.5	42.4	2.0	180	58.0	50.5	35	1.5
40	200	69.0	64.0	48.3	2.0	200	69.5	50.5	41	1.5
50	230	77.5	77.5	60.3	2.6	230	78.0	64.0	53	1.5

Nominal diameter (pipe)	Clamp: ASME BPE				
	Pipe: ASME BPE DIN 11866 C				
NPS	LC	CC	Ø D1 C	Ø D2 C	SC
1/2	130	49.0	25.0	12.7	1.65
3/4	150	56.5	25.0	19.05	1.65
1	160	58.0	50.5	25.4	1.65
1 1/2	200	69.0	50.5	38.1	1.65
2	230	77.5	64.0	50.8	1.65

DTS 1000599138 EN Version: E Status: RL (released | freigegeben | validé) printed: 06.03.2025

5. Performance specifications

5.1. Fluidic data

Overview of fluidic data for flow below seat (for liquids, steam and gases)

Note:

- K_v value [m³/h]: measurement with water according to DIN EN 60534 - 2 - 4
- Seat leakage leakage rate A according to DIN EN 12266 - 1
- See "7.2. Bürkert product filter" on page 14

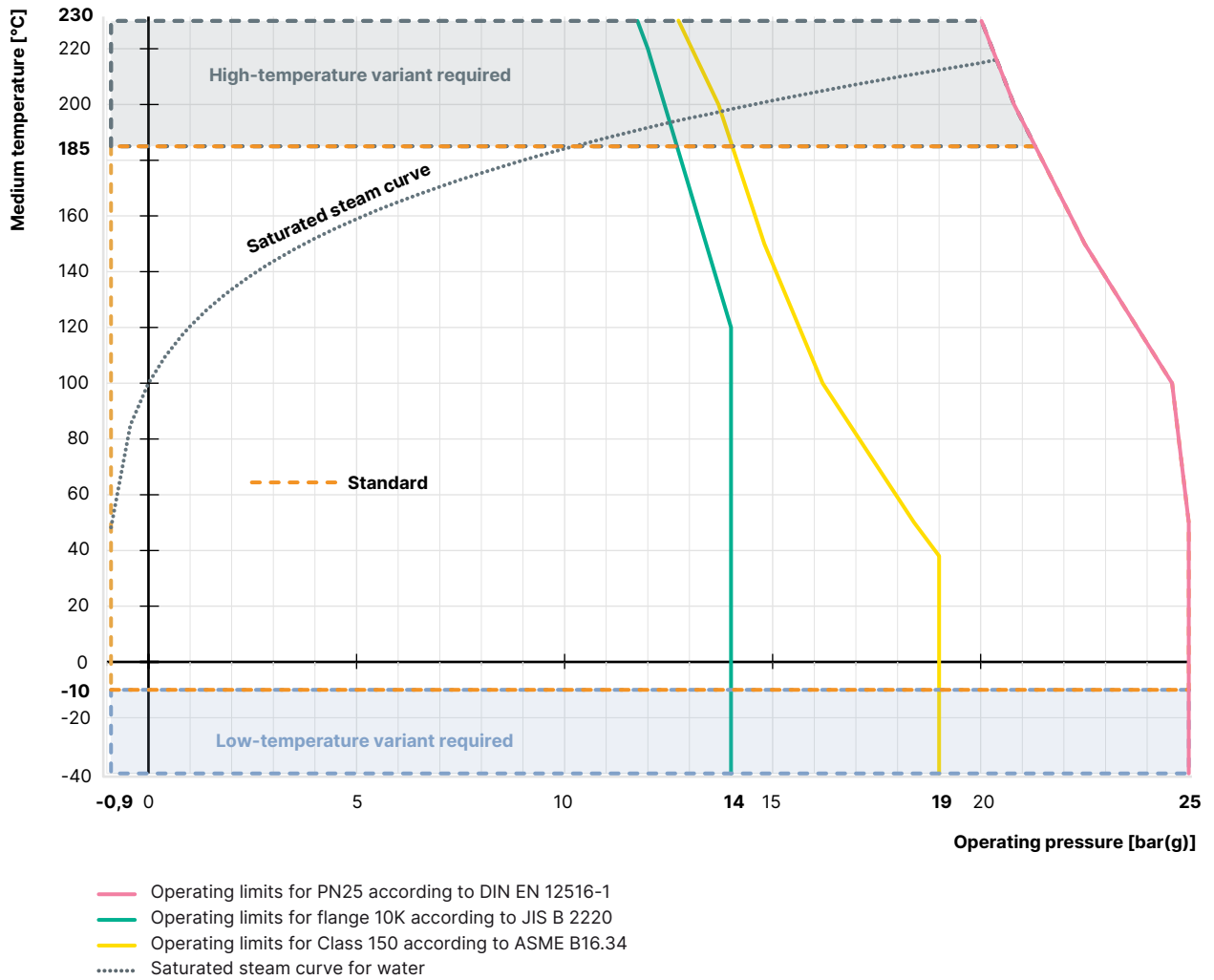
Nominal diameter (pipe)		Handwheel diameter Ø	Operating pressure max.		K_{vs} value
[DN]	[NPS]		Valve seat seal		
			PTFE	PEEK	
		[mm]	[bar(g)]	[bar(g)]	[m ³ /h]
ASME BPE (12.7 mm x 1.65 mm / 0.5" x 0.065")					
15	½	45 (S)	25	20	1.6
All standards					
15	½	45 (S)	25	25	5.0
20	¾	45 (S)	25	25	11.0
25	1	45 (S)	25	25	18.0
32	1¼	45 (S)	25	25	27.0
40	1½	45 ^{1.)} (S)	16	12.8	38.0
		110 (M)	25	25	40.0
50	2	110 (M)	25	20	55.0
65	2½	160 (L)	24	19	95.0
80	3	160 (L)	16	12.8	140.0

1.) At an operating pressure of less than 16 bar

5.2. Operating limits

Operating limits for medium temperature and operating pressure

The operating range of Bürkert process valves is limited in addition to the maximum operating pressures by the nominal pressure according to the relevant standard.



Operating limits for optional versions

High-temperature version

Thanks to an adaption of the spindle sea, this version is suitable for applications with steam, neutral gases and other heat transfer mediums up to + 230 °C.

Water version

For applications with water up to + 200 °C, a special configuration of the spindle seal increases service life significantly. It is recommended for all water applications.

Drinking water version

The materials comply with the assessment principles (UBA) for materials in contact with drinking water up to + 85 °C.

Low-temperature version

Suitable for minimum medium temperatures down to - 40 °C

6. Product design and assembly

6.1. Product features

Note

More detailed information can be found in the **operating instructions Type 2920** ▶.

<p>Position indicator</p> <p>When the valve is opened (turn the handwheel anti-clockwise), the yellow position indicator becomes visible.</p>	<p>Handwheel</p> <p>Position indicator</p>
<p>Interlock (optional)</p> <p>The valve can be secured against unintentional or unauthorized operation.</p> <p>For this purpose, a securing pin can be pressed down and turned.</p> <p>The locking pin has a hole (Ø 3.8) and can be secured with a padlock.</p>	<p>Lock pin</p> <p>Closed position</p> <p>Open position</p>
<p>Stroke limitation (optional)</p> <p>Both the minimum and the maximum position of the valve can be adjusted via an adjustment sleeve. The handwheel can be removed for this purpose.</p>	<p>Screw on handwheel</p> <p>Square</p> <p>Adjusting sleeve</p>

DTS 1000599138 EN Version: E Status: RL (released | freigegeben | validé) printed: 06.03.2025

7. Ordering information

7.1. Bürkert eShop



Bürkert eShop – Easy ordering and quick delivery

You want to find your desired Bürkert product or spare part quickly and order directly? Our online shop is available for you 24/7. Sign up and enjoy all the benefits.

[Order online now](#)

7.2. Bürkert product filter



Bürkert product filter – Get quickly to the right product

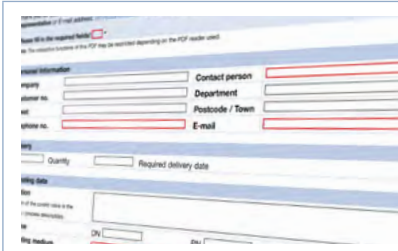
You want to select products comfortably based on your technical requirements? Use the Bürkert product filter and find suitable articles for your application quickly and easily.

[Try out our product filter](#)

7.3. Bürkert Product Enquiry Form

Note:

Please see our Product Enquiry Form for a full explanation of our specification key.



Bürkert Product Enquiry Form – Your enquiry quickly and compactly

Would you like to make a specific product enquiry based on your technical requirements? Use our Product Enquiry Form for this purpose. There you will find all the relevant information for your Bürkert contact. This will enable us to provide you with the best possible advice.

[Fill out the form now](#)

DTS 1000599138 EN Version: E Status: RL (released | freigegeben | valide) printed: 06.03.2025