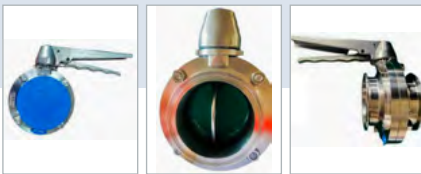




2/2-way sanitary butterfly valve

- Quick 90 degree on-off operation
- Simple regulating valve
- Suitable for clean industry applications such as food-grade processing, pharmaceutical and chemical
- Option - mounting accessories for actuation



Product variants described in the data sheet may differ from the product presentation and description.

Can be combined with

| | | |
|--|---|---|
| | Type 2053 Pneumatic rotary actuator | ▶ |
| | Type 8691 Control head for decentralised automations of ELEMENT process valves | ▶ |
| | Type 8692 Digital electropneumatic positioner for the integrated mounting on process control valves | ▶ |
| | Type 8693 Digital electropneumatic process controller for the integrated mounting on process control valves | ▶ |
| | Type 8694 Digital electropneumatic positioner for the integrated mounting on process control valves | ▶ |
| | Type 3003 Electrical rotary actuator – On/Off and control | ▶ |
| | Type 3004 Explosion proof rotary actuator – On/Off and control | ▶ |

Type description

2/2-way butterfly valve in 316L stainless steel for shutting off and controlling media flows.

Available in ASME Clamp and Tube weld end connections with EPDM and FKM seals, it meets the requirements of various hygienic applications and processes.

Further characteristics and advantages are:

- Through shaft for self-centering disc → even wear and low torque
- Spherically shaped disc
- Handle in stainless steel

Table of contents

| | |
|--|-----------|
| 1. General technical data | 3 |
| <hr/> | |
| 2. Approvals and conformities | 3 |
| 2.1. General notes | 3 |
| 2.2. Conformity | 3 |
| 2.3. Standards | 3 |
| 2.4. Foods and beverages/Hygiene | 3 |
| <hr/> | |
| 3. Materials | 4 |
| 3.1. Bürkert resistApp | 4 |
| 3.2. Material specifications | 4 |
| <hr/> | |
| 4. Dimensions | 5 |
| 4.1. Dimensions ASME tube weld | 5 |
| 4.2. Dimensions ASME clamp ferrule | 6 |
| <hr/> | |
| 5. Performance specifications | 7 |
| 5.1. Torques | 7 |
| 5.2. Pressure temperature diagram | 7 |
| <hr/> | |
| 6. Product accessories | 8 |
| 6.1. Replacement seat | 8 |
| 6.2. Mounting kit for actuation | 8 |
| <hr/> | |
| 7. Networking and combination with other Bürkert products | 9 |
| <hr/> | |
| 8. Ordering information | 10 |
| 8.1. Bürkert eShop | 10 |
| 8.2. Bürkert product filter | 10 |
| 8.3. Ordering chart | 10 |
| 8.4. Ordering chart accessories | 11 |
| Replacement seats | 11 |
| Mounting kit for actuation | 11 |
| Type 2053 actuator for On/Off actuation and for combination with ELEMENT control heads | 12 |
| Form seal for control units of Type 8691/8692/8693/8694 | 12 |

1. General technical data

| Product properties | |
|--|---|
| Dimensions | Further information can be found in chapter "4. Dimensions" on page 5. |
| Material | Further information can be found in chapter "3. Materials" on page 4. |
| Operating pressure | 10 bar |
| Nominal diameter | 1/2"...4" |
| Orifice | DN 15...DN 100 |
| Surface finish | ≤ 0.5 Ra / ASME SF1 |
| Medium data | |
| Medium pressure | Further information can be found in chapter "5.2. Pressure temperature diagram" on page 7. |
| Medium temperature | Further information can be found in chapter "5.2. Pressure temperature diagram" on page 7. |
| Process/Port connection & communication | |
| Welded connection | ASME-BPE tube weld Further information can be found in chapter "4.1. Dimensions ASME tube weld" on page 5. |
| Clamp connection | ASME-BPE clamp ferrule Further information can be found in chapter "4.2. Dimensions ASME clamp ferrule" on page 6. |
| Approvals and conformities | |
| Further information can be found in chapter "2. Approvals and conformities" on page 3. | |

2. Approvals and conformities

2.1. General notes

- The approvals and conformities listed below must be stated when making enquiries. This is the only way to ensure that the product complies with all required specifications.
- Not all available verions can be supplied with the below mentioned approvals or conformities.

2.2. Conformity

In accordance with the Declaration of Conformity, the product is compliant with the EU Directives. This includes the following directives: Pressure Equipment Directive 2014/68/EU

2.3. Standards

The applied standards which are used to demonstrate compliance with the EU Directives are listed in the EU-Type Examination Certificate and/or the EU Declaration of Conformity.

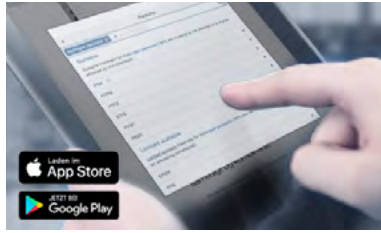
2.4. Foods and beverages/Hygiene

| Conformity | Description |
|------------|---|
| FDA | FDA - Code of Federal Regulations (valid for the variable code PL02) All wetted materials are compliant with the code of Federal Regulations published by the FDA (Food and Drug Administration, USA) 21 CFR 177.2600 |

DTS 1000636050 EN Version: A Status: RL (released | freigegeben | validé) printed: 27.09.2024

3. Materials

3.1. Bürkert resistApp

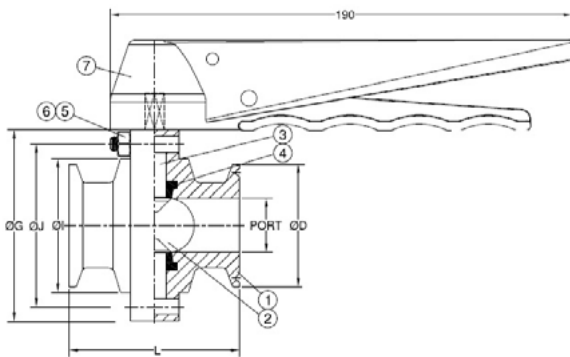


Bürkert resistApp – Chemical resistance chart

You want to ensure the reliability and durability of the materials in your individual application case? Verify your combination of media and materials on our website or in our resistApp.

[Start chemical resistance check](#)

3.2. Material specifications



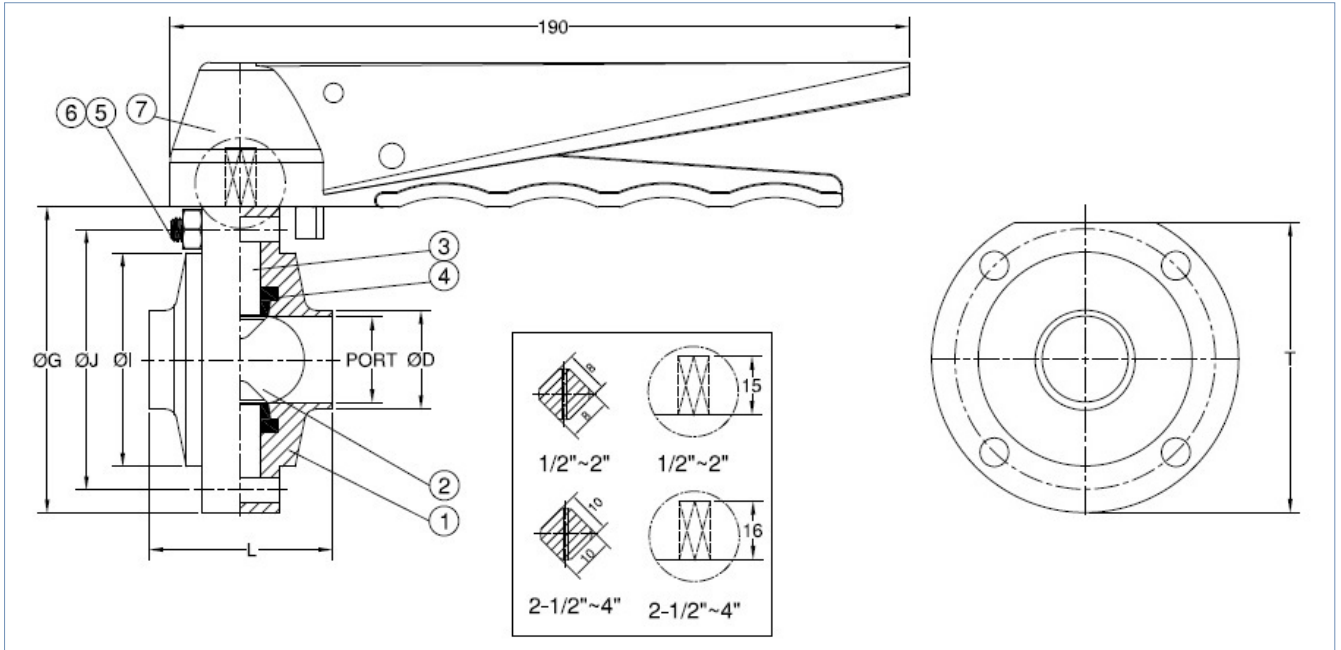
| No. | Element | Material |
|-----|---------|------------|
| 1 | Body | 1.4404 |
| 2 | Disc | 1.4404 |
| 3 | Stem | 1.4404 |
| 4 | Seat | EPDM / FKM |
| 5 | Bolt | 1.4301 |
| 6 | Nut | 1.4301 |
| 7 | Handle | 1.4301 |

4. Dimensions

4.1. Dimensions ASME tube weld

Note:

Dimensions in mm



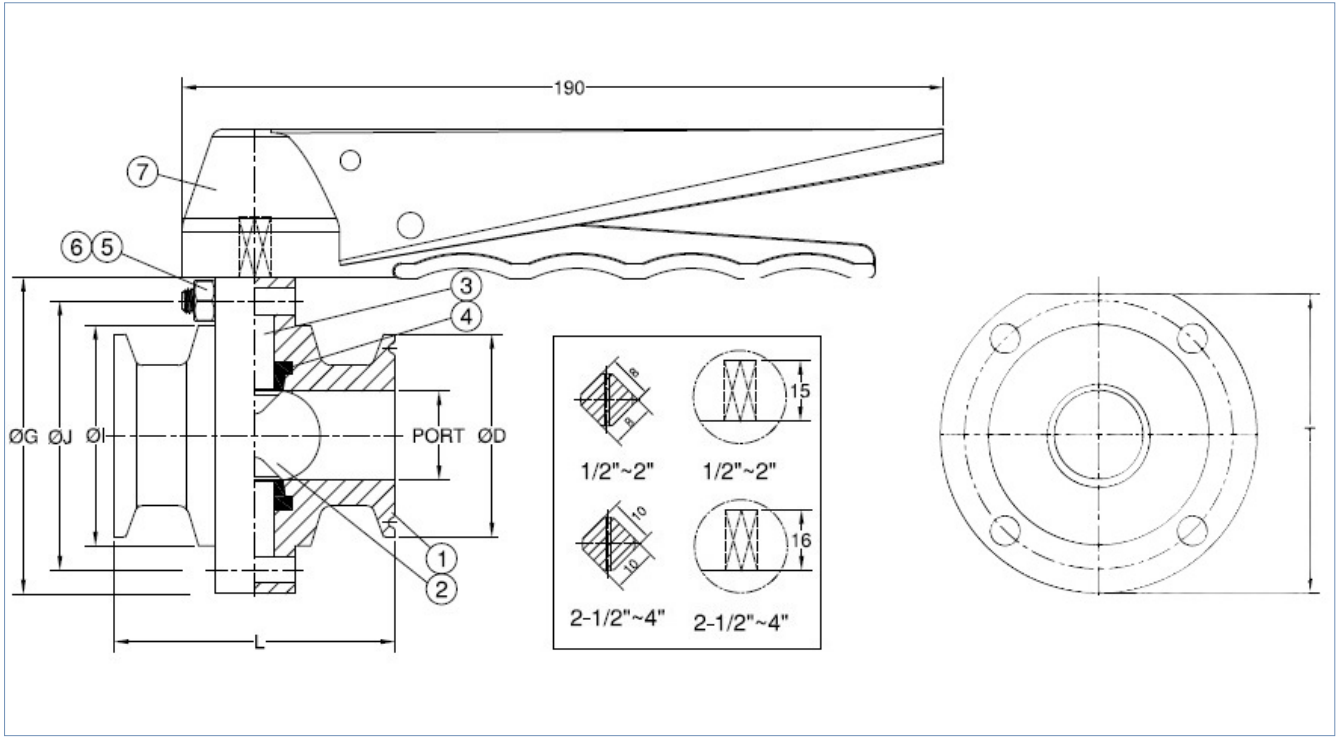
| Size | Port | L | ØD | ØG | ØJ | ØI | T | K _v | |
|------|-------|------|----|-------|-----|-------|-------|----------------|------|
| DN | Inch | | | | | | | | |
| 15 | 1/2 | 9.4 | 47 | 12.7 | 79 | 67.0 | 55.0 | 73.0 | 7 |
| 20 | 3/4 | 15.8 | 47 | 19.1 | 79 | 67.0 | 55.0 | 73.0 | 24 |
| 25 | 1 | 22.1 | 47 | 25.4 | 79 | 67.0 | 55.0 | 73.0 | 48 |
| 40 | 1 1/2 | 34.8 | 47 | 38.1 | 85 | 67.0 | 55.0 | 81.0 | 125 |
| 50 | 2 | 47.5 | 52 | 50.8 | 100 | 85.0 | 70.0 | 95.0 | 238 |
| 65 | 2 1/2 | 60.2 | 54 | 63.5 | 115 | 100.0 | 85.0 | 111.0 | 392 |
| 80 | 3 | 72.9 | 56 | 76.2 | 127 | 113.0 | 98.0 | 124.0 | 582 |
| 100 | 4 | 97.3 | 60 | 101.6 | 156 | 142.0 | 127.0 | 151.0 | 1034 |

DTS 1000636050 EN Version: A Status: RL (released | freigegeben | validé) printed: 27.09.2024

4.2. Dimensions ASME clamp ferrule

Note:

Dimensions in mm



| Size | | Port | L | ØD | ØG | ØJ | ØI | T | K _v |
|------|--------|------|----|-------|-----|-------|-------|-------|----------------|
| [DN] | [Inch] | | | | | | | | |
| 15 | ½ | 9.4 | 70 | 25.0 | 79 | 67.0 | 55.0 | 73.0 | 7 |
| 20 | ¾ | 15.8 | 70 | 50.5 | 79 | 67.0 | 55.0 | 73.0 | 24 |
| 25 | 1 | 22.1 | 70 | 50.5 | 79 | 67.0 | 55.0 | 73.0 | 48 |
| 40 | 1½ | 34.8 | 70 | 50.5 | 85 | 67.0 | 55.0 | 81.0 | 125 |
| 50 | 2 | 47.5 | 74 | 64.0 | 100 | 85.0 | 70.0 | 95.0 | 238 |
| 65 | 2½ | 60.2 | 76 | 77.5 | 115 | 100.0 | 85.0 | 111.0 | 392 |
| 80 | 3 | 72.9 | 78 | 91.0 | 127 | 113.0 | 98.0 | 124.0 | 582 |
| 100 | 4 | 97.3 | 90 | 119.0 | 156 | 142.0 | 127.0 | 151.0 | 1034 |

DTS 1000636050 EN Version: A Status: RL (released | freigegeben | validé) printed: 27.09.2024

5. Performance specifications

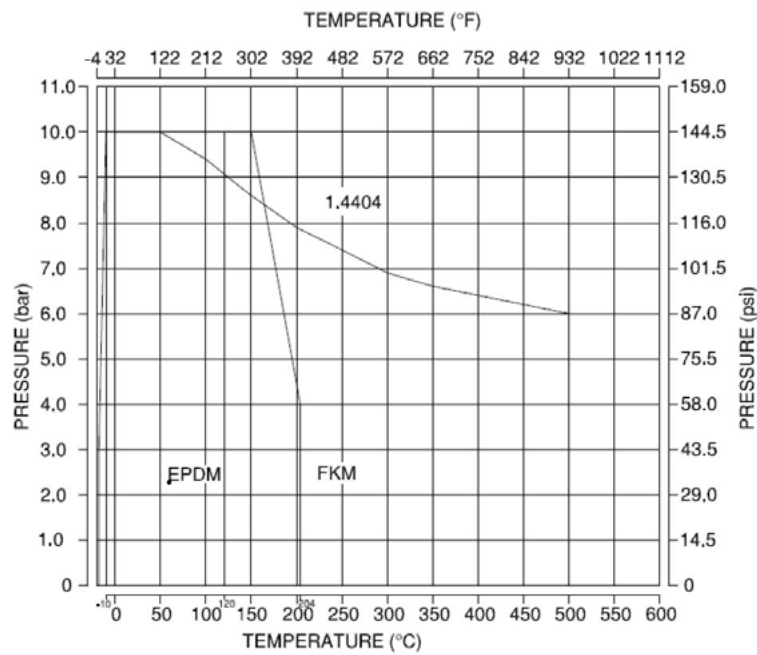
5.1. Torques

Note:

- For the actuator choice, we recommend a safety torque equal to 1.3 times of the valve maximum torque.
- Test medium: water at room temperature

| Torques for butterfly valves with PN 10 pressure rating | | | | | | | | |
|---|----|----|----|----|----|----|----|-----|
| DN [mm] | 15 | 20 | 25 | 40 | 50 | 65 | 80 | 100 |
| Break torque [Nm] | 10 | 10 | 10 | 10 | 13 | 15 | 20 | 30 |

5.2. Pressure temperature diagram



DTS 1000636050 EN Version: A Status: RL (released | freigegeben | validé) printed: 27.09.2024

6. Product accessories

6.1. Replacement seat

Note:

- Replacement seats in EPDM and FKM
- Further information can be found in chapter [“Replacement seats” on page 11.](#)

6.2. Mounting kit for actuation

Note:

Further information can be found in chapter [“Mounting kit for actuation” on page 11.](#)

| Description | Quantity | Material |
|----------------------------|----------|----------|
| Mounting bracket | 1 | SS 316 |
| Stem coupling | 1 | SS 316 |
| Valve mounting screws | 2 | SS 304 |
| Set screw | 4 | SS 304 |
| Washer | 4 | SS 304 |
| Nut | 4 | SS 304 |
| Stem sleeve ^{1.)} | 1 | SS 304 |

1.) Where applicable

7. Networking and combination with other Bürkert products

The sanitary butterfly valve Type 2671 can be combined with the rotary pneumatic actuator Type 2051, 2052 and further expanded with classic positioners Type 8792, 8635, and feedback Type 1061. The ELEMENT ready pneumatic actuator Type 2053 provides combinations with the ELEMENT control head Type 8691, 8692, 8693 and 8694.

Example:



Type 8804 electrical rotary actuation

| | | | | |
|--|--|--|---|---|
| | | | | |
| Type 3003 ▶ Electrical actuator On/Off & Control | Type 3004 ▶ Explosion proof actuator | Type 3005 ▶ Electrical actuator On/Off & control | Type 2051 ▶ Pneumatic rotary actuator | Type 2052 ▶ Pneumatic rotary actuator |

Type 8805 pneumatic actuation

| |
|--|
| |
| Type 2053 ▶ ELEMENT ready pneumatic actuator |

| | | |
|--|--|---|
| Digital electropneumatic positioner | Position feedback | Pilot valve |
| | | |
| Type 879x ▶ SideControl Namur | Type 8635 ▶ SideControl Namur ATEX | Type 1061 ▶ Position feedback unit for pneumatic rotary actuators |
| | | |
| | | Type 6519 ▶ Servo-assisted 3/2, 5/2 or 5/3-way solenoid valve |


ELEMENT process automation

| | | | |
|------------------------------------|----------------------------------|----------------------------------|----------------------------------|
| | | | |
| Type 8691 ▶ Control head | Type 8692 ▶ Positioner | Type 8693 ▶ Controller | Type 8694 ▶ Positioner |

DTS 1000636050 EN Version: A Status: RL (released | freigegeben | validé) printed: 27.09.2024

8. Ordering information

8.1. Bürkert eShop




Bürkert eShop – Easy ordering and quick delivery

You want to find your desired Bürkert product or spare part quickly and order directly? Our online shop is available for you 24/7. Sign up and enjoy all the benefits.

Order online now

8.2. Bürkert product filter



Bürkert product filter – Get quickly to the right product

You want to select products comfortably based on your technical requirements? Use the Bürkert product filter and find suitable articles for your application quickly and easily.

8.3. Ordering chart

| Size | | Article no. | Article no. |
|---------------------------|--------|-------------|-------------|
| [DN] | [Inch] | OD Weld | Clamp |
| Seal material EPDM | | | |
| 15 | 1/2 | 93955709 | 93955733 |
| 20 | 3/4 | 93955710 | 93955734 |
| 25 | 1 | 93955711 | 93955735 |
| 40 | 1 1/2 | 93955712 | 93955736 |
| 50 | 2 | 93955713 | 93955737 |
| 65 | 2 1/2 | 93955714 | 93955738 |
| 80 | 3 | 93955715 | 93955739 |
| 100 | 4 | 93955716 | 93955740 |
| Seal material FKM | | | |
| 15 | 1/2 | 93955717 | 93955741 |
| 20 | 3/4 | 93955718 | 93955742 |
| 25 | 1 | 93955719 | 93955743 |
| 40 | 1 1/2 | 93955720 | 93955744 |
| 50 | 2 | 93955721 | 93955745 |
| 65 | 2 1/2 | 93955722 | 93955746 |
| 80 | 3 | 93955723 | 93955747 |
| 100 | 4 | 93955724 | 93955748 |

DTS 1000636050 EN Version: A Status: RL (released | freigegeben | validé) printed: 27.09.2024

8.4. Ordering chart accessories

Replacement seats

| Valve size [DN] | Article no. | Article no. |
|--------------------|-------------|-------------|
| | EPDM | FKM |
| 15 | 93921497 | 93921356 |
| 20 | 93921498 | 93921357 |
| 25 | 93921499 | 93921358 |
| 40 | 93921500 | 93921359 |
| 50 | 93921501 | 93921360 |
| 65 | 93921502 | 93921361 |
| 80 | 93921503 | 93921362 |
| 100 | 93921504 | 93921363 |

Mounting kit for actuation

Note:

- Dimensions in mm
- Kit includes bracket, stem adaptor, stem sleeve (where applicable), mounting screws, washers & nuts


| Mounting kit | Valve size | ISO 5211 mounting | Adaptor drive | Article no. |
|--------------|------------|-------------------|---------------|-------------|
| | [DN] | | [mm] | |
| | 15 | F05 | 11 | 93928152 |
| | | | 14 | 93928144 |
| | 20 | F05 | 11 | 93928153 |
| | | | 14 | 93928145 |
| | 25 | F05 | 11 | 93928154 |
| | | | 14 | 93928146 |
| | 40 | F05 | 11 | 93928155 |
| | | | 14 | 93928147 |
| | 50 | F05 | 11 | 93928156 |
| | | | 14 | 93928148 |
| | 65 | F05 | 14 | 93928149 |
| | 80 | F05 | 14 | 93928150 |
| | 100 | F07 | 14 | 93928151 |

DTS 1000636050 EN Version: A Status: RL (released | freigegeben | valide) printed: 27.09.2024

Type 2053 actuator for On/Off actuation and for combination with ELEMENT control heads

Note:

- Actuator selection safety torque equal to 1.3 times of the valve torque
- Actuator operated at 6 bar. Lower control pressure reduces the spring torque
- For further versions see data sheet **Type 2053** ▶
- For all assemblies of the actuator Type 2053 with control unit Type 8691/8692/8693/8694 the form seal for control units is needed. The article number can be found in chapter **“8.4. Ordering chart accessories” on page 11.**

| Actuator | Valve size | Article no. | Article no. |
|--|----------------------|-------------|-------------|
| | [DN] | On/Off | ELEMENT |
|  | Single-acting | | |
| | 15 | 369733 ☞ | 369735 ☞ |
| | 20 | | |
| | 25 | | |
| | 40 | | |
| | 50 | | |
| | 65 | 369737 ☞ | 369739 ☞ |
| | 80 | | |
| | 100 | | |
| | | | |
| | Double-acting | | |
| | 15 | 369734 ☞ | 369736 ☞ |
| | 20 | | |
| | 25 | | |
| 40 | | | |
| 50 | | | |
| 65 | | | |
| 80 | | | |
| 100 | | | |

Form seal for control units of Type 8691/8692/8693/8694

Note:

For all assemblies of actuator Type 2053 with control unit Type 8691/8692/8693/8694 the Form Seal for Control Units is needed.

| Description | Article no. |
|-----------------------------|-------------|
| Form seal for control units | 60014507 ☞ |

DTS 1000636050 EN Version: A Status: RL (released | freigegeben | validé) printed: 27.09.2024