



2/2-way ball valve, 3-piece

- Stainless steel ball valve
- High flow values
- High medium pressures
- Long service life
- ISO 5211 mounting flange



Product variants described in the data sheet may differ from the product presentation and description.

Can be combined with

	Type 2051 Pneumatic rotary actuator	▶
	Type 2053 Pneumatic rotary actuator for the automation of ball and butterfly valves	▶
	Type 3003 Electrical Rotary Actuator - On/Off and control	▶
	Type 3005 Electric Rotary Actuator - On/Off and Control	▶
	Type 3004 Explosion-Proof Rotary Actuator - On/Off or Control	▶
	Type 1061 Position feedback unit for pneumatic rotary actuators	▶
	Type 8692 Digital electro-pneumatic positioner for integrated mounting on process control valves	▶

Type description

2/2-way ball valve in stainless steel for separating medium flows. The ball valves can be connected via the mechanical interface according to ISO 5211 to a pneumatic (e.g. Type 2051, Type 2052, Type 2053) or electric rotary actuator (e.g. Type 3003, Type 3004, Type 3005). Benefits:

- low torques
- high flow values
- high medium pressure
- long service life
- maintenance-friendly

Table of contents

1. General technical data	3
2. Approvals and conformities	3
2.1. General notes	3
2.2. Conformity	3
2.3. Standards	3
3. Materials	3
3.1. Bürkert resistApp	3
4. Dimensions	4
4.1. Threaded variant (PN 63)	4
4.2. Weld end variant (PN 63)	5
4.3. Flange variant (PN 40)	6
5. Performance specifications	7
5.1. Pressure temperature diagram	7
5.2. Torques	7
6. Product accessories	7
6.1. Wearing part set for ball valve Type 2654	7
6.2. Lever for ball valve Type 2654	7
7. Ordering information	8
7.1. Bürkert eShop	8
7.2. Bürkert product filter	8
7.3. Ordering chart threaded variant	8
7.4. Ordering chart weld end variant	8
7.5. Ordering chart accessories	8
Wearing part set for ball valve Type 2654	8
Lever for ball valve Type 2654	9

1. General technical data

Note:

Further information on 3-piece ball valves with hand lever (but without ISO 5211 flange) can be found in data sheet **Type TKU001100210031004** ▶.

Product properties	
Dimensions	Further information can be found in chapter "4. Dimensions" on page 4 .
Materials	
Seal	PTFE (ball seal) FKM (selector shaft seal)
Body	Stainless steel 1.4408/316
Ball	Stainless steel 1.4401/316
Selector shaft	Stainless steel 1.4401/316
Nominal diameter	DN 10...100
Medium data	
Medium temperature	-10 °C...200 °C (see "5.1. Pressure temperature diagram" on page 7)
Medium pressure	See "4. Dimensions" on page 4 and "5.1. Pressure temperature diagram" on page 7)
Process/Port connection & communication	
Port connection	Rp 1/4"...Rp 2" Whitworth thread according to DIN EN 10226 - 1 (old DIN 2999), Weld end (universal, applicable to different welding standards), DIN flange according to EN 1091 - 1 and EN 558 - 1 series 1-F1
Actuator-side interface	According to EN ISO 5211

2. Approvals and conformities

2.1. General notes

- The approvals and conformities listed below must be stated when making enquiries. This is the only way to ensure that the product complies with all required specifications.
- Not all available variants can be supplied with the below mentioned approvals or conformities.

2.2. Conformity

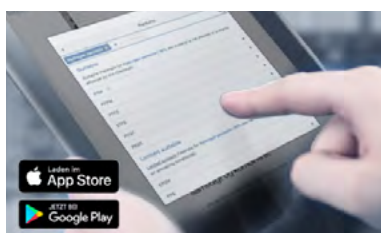
In accordance with the Declaration of Conformity, the product is compliant with the EU Directives.

2.3. Standards

The applied standards which are used to demonstrate compliance with the EU Directives are listed in the EU-Type Examination Certificate and/or the EU Declaration of Conformity.

3. Materials

3.1. Bürkert resistApp



Bürkert resistApp – Chemical resistance chart

You want to ensure the reliability and durability of the materials in your individual application case? Verify your combination of media and materials on our website or in our resistApp.

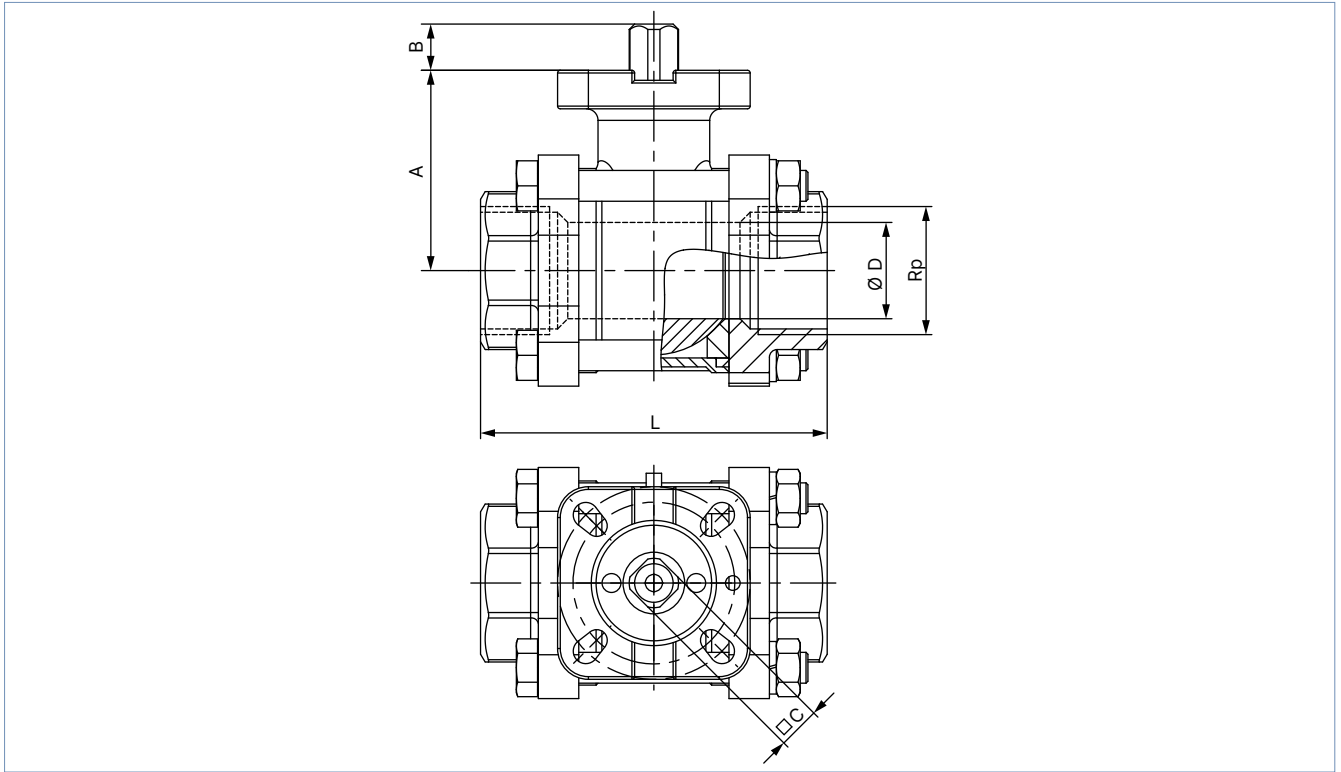
[Start chemical resistance check](#)

4. Dimensions

4.1. Threaded variant (PN 63)

Note:

Further information on 3-piece ball valves with hand lever (but without ISO 5211 flange) can be found in data sheet **Type TKU001100210031004** ▶.



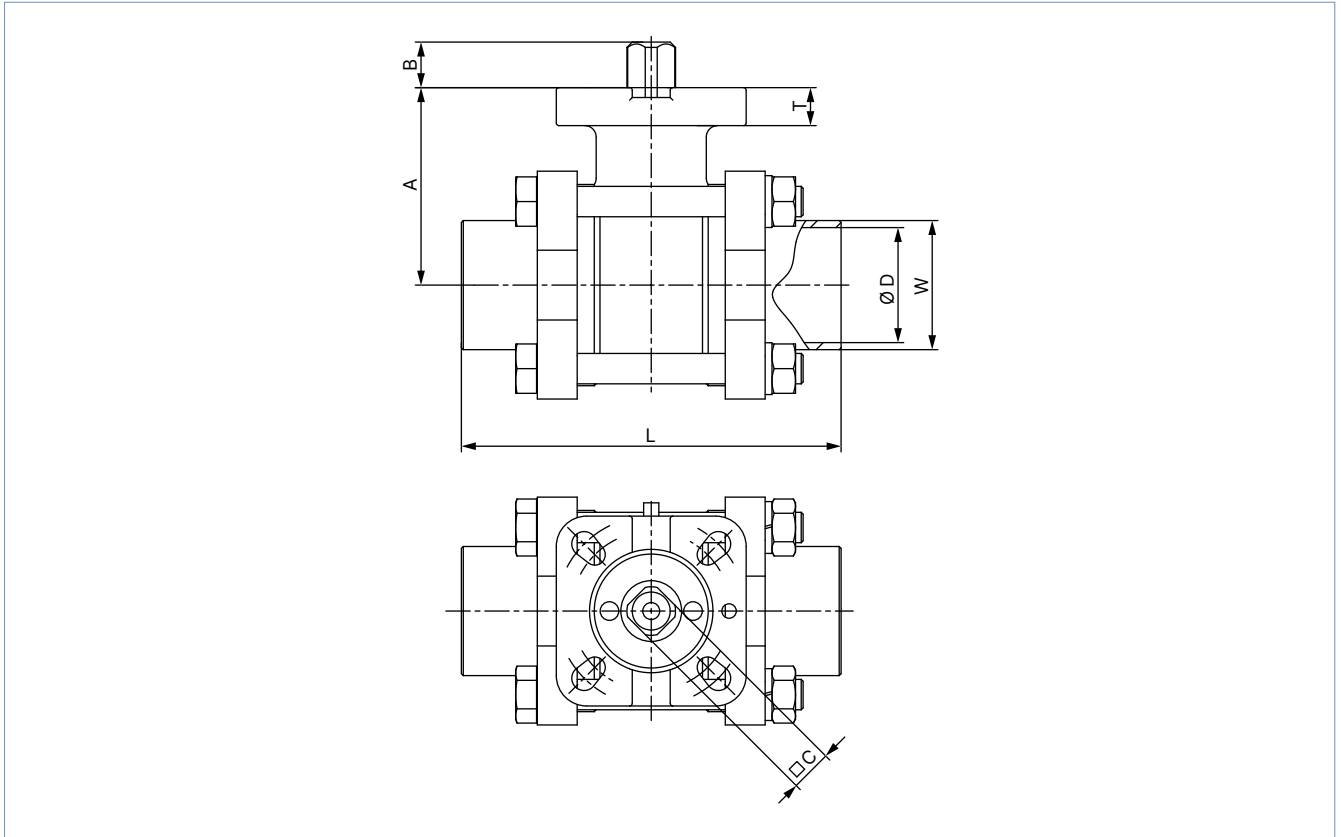
DN	Rp [inch]	D [mm]	L [mm]	A [mm]	B [mm]	C [mm]	Interface acc. to ISO 5211	Article no.
10	¼	10	65	40	7	9	F03/F04	185994
12	⅜	12	65	40	7	9	F03/F04	185995
15	½	16	75	40	7	9	F03/F04	185996
20	¾	20	80	44	7	9	F03/F04	185997
25	1	25	90	52	12	11	F04/F05	185998
32	1¼	32	110	58	12	11	F04/F05	185999
40	1½	40	120	68	16	14	F05/F07	186000
50	2	50	140	77	16	14	F05/F07	186001
65	2½	65	185	98	19	17	F07/F10	186002
80	3	80	205	110	19	17	F07/F10	186003
100	4	100	240	138	24	22	F10	217975

DTS 1000202400 EN Version: M Status: RL (released | freigegeben | validé) printed: 20.12.2024

4.2. Weld end variant (PN 63)

Note:

- Universally applicable to different welding standards
- Further information on 3-piece ball valves with hand lever (but without ISO 5211 flange) can be found in data sheet **Type TKU001100210031004** ▶.



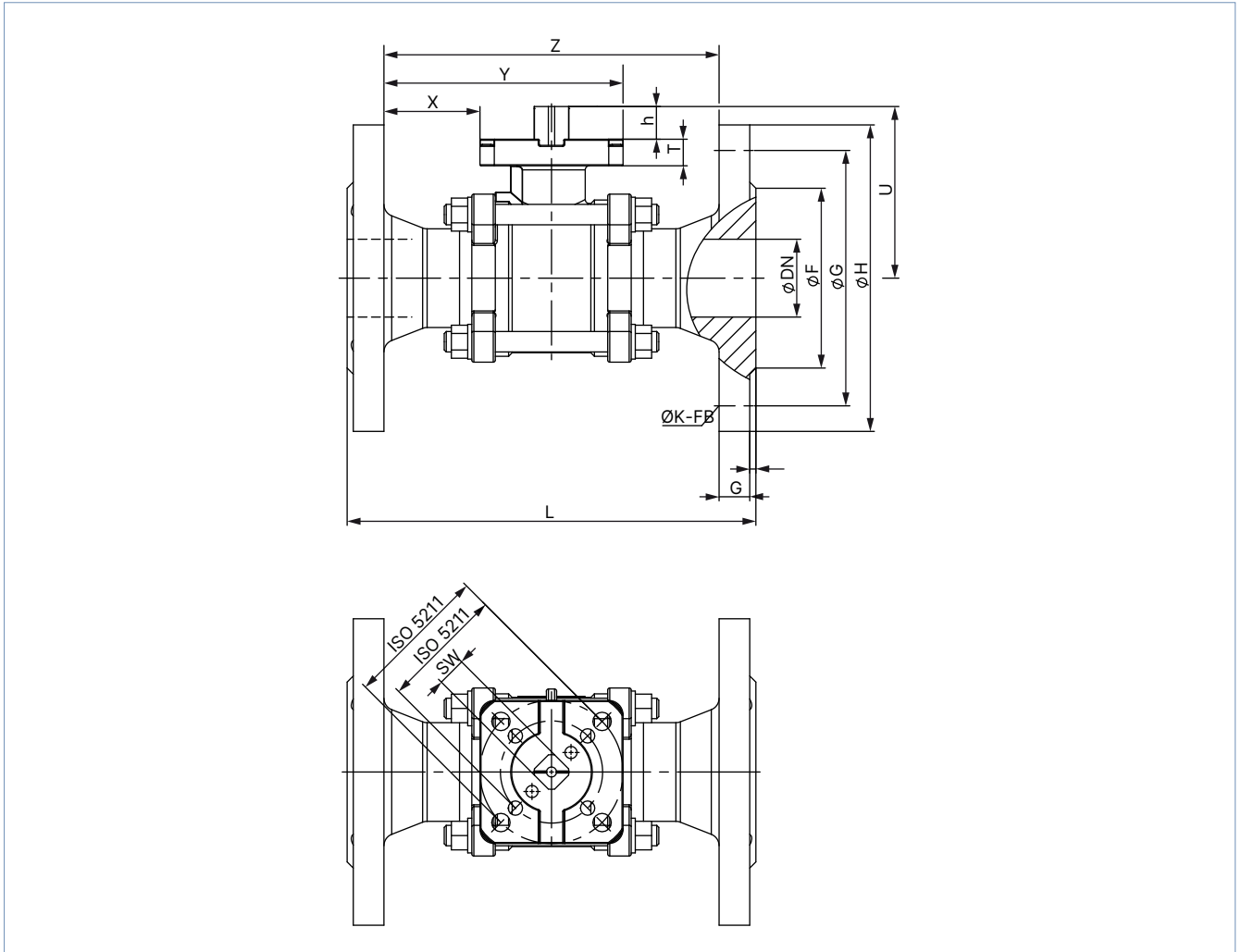
DN	W [mm]	D [mm]	L [mm]	A [mm]	B [mm]	C [mm]	Interface acc. to ISO 5211	Article no.
12	19.3	12	75	40	9	9	F03/F04	186004
15	23.3	16	75	40	9	9	F03/F04	186005
20	28.2	20	90	44	9	9	F03/F04	186006
25	33.8	25	100	52	12	11	F04/F05	186007
32	41.1	32	110	58	12	11	F04/F05	186008
40	49	40	125	68	16	14	F05/F07	186009
50	62	50	150	77	16	14	F05/F07	186010
65	78	65	190	98	19	17	F07/F10	205429
80	94.3	80	220	110	19	17	F07/F10	203221
100	125.2	100	270	138	24	22	F10	203222

DTS 1000202400 EN Version: M Status: RL (released | freigegeben | validé) printed: 20.12.2024

4.3. Flange variant (PN 40)

Note:

DIN flange according to EN 1091 - 1 and EN 558 - 1 series 1-F1 (PN 40)



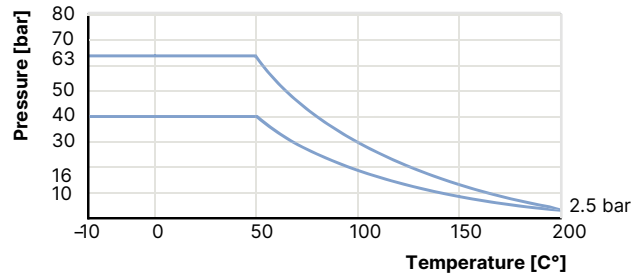
DN	L	ØF	ØG	ØH	U	T	h	G	D	X	Y	Z	ØK	FB	SW	Interface acc. to ISO 5211	Article no.
	[mm]	[mm]	[mm]	[mm]	[mm]	[mm]	[mm]	[mm]	[mm]	[mm]	[mm]	[mm]		[mm]	[mm]		
15	130	45	65	95	47	9	7	16	2	26.5	70.5	97	M14	4	9	F03/F04	276604
20	150	58	75	105	53	9	9	18	2	34.5	78.5	113	M14	4	9	F03/F04	20028371
25	160	68	85	115	64	10	12	18	2	36.5	86.5	123	M14	4	11	F04/F05	273904
32	180	78	100	140	70	10	12	18	2	47	96.5	144	M18	4	11	F04/F05	263482
40	200	88	110	150	84	13	16	18	3	46	117	163	M18	4	14	F05/F07	288136
50	230	102	125	165	93	13	16	20	3	59	130	189	M18	4	14	F05/F07	189274
65	290	122	145	185	117	13	19	22	3	71	173	244	M18	8	17	F07/F10	276605
80	310	138	160	200	129	13	19	24	3	79	181	260	M18	8	17	F07/F10	204804
100	350	162	190	235	162	20	24	24	3	99	201	300	M22	8	22	F10	289476

DTS 1000202400 EN Version: M Status: RL (released | freigegeben | valide) printed: 20.12.2024

5. Performance specifications

5.1. Pressure temperature diagram

For general industrial use



5.2. Torques

Torques												
DN [mm]	8	10	15	20	25	32	40	50	65	80	100	
Breakaway torque [Nm]	6	6	10	14	17	24	29	44	78	112	140	
Running torque [Nm]	4	4	7	9	11	16	19	30	52	89	112	

6. Product accessories

6.1. Wearing part set for ball valve Type 2654

Note:

Further ordering information can be found in chapter [“Wearing part set for ball valve Type 2654” on page 8.](#)

Description	Quantity	Material
V-packing/V-seal	4	PTFE
O-ring	1	FKM
Thrust collar	1	PTFE
Ball seal	2	PTFE
Body gasket	2	PTFE


6.2. Lever for ball valve Type 2654

Note:

- Further ordering information can be found in chapter [“Lever for ball valve Type 2654” on page 9.](#)
- The cast iron hand lever, screw and travel stop included, is made of stainless steel 1.4408/316.

7. Ordering information

7.1. Bürkert eShop




Bürkert eShop – Easy ordering and quick delivery

You want to find your desired Bürkert product or spare part quickly and order directly? Our online shop is available for you 24/7. Sign up and enjoy all the benefits.

[Order online now](#)

7.2. Bürkert product filter



Bürkert product filter – Get quickly to the right product

You want to select products comfortably based on your technical requirements? Use the Bürkert product filter and find suitable articles for your application quickly and easily.

[Try out our product filter](#)

7.3. Ordering chart threaded variant

Note:

Further information can be found in chapter [“4.1. Threaded variant \(PN 63\)”](#) on page 4.

7.4. Ordering chart weld end variant

Note:

Further information can be found in chapter [“4.2. Weld end variant \(PN 63\)”](#) on page 5.

7.5. Ordering chart accessories

Wearing part set for ball valve Type 2654

Note:

Further information can be found in chapter [“6.1. Wearing part set for ball valve Type 2654”](#) on page 7.

DN [mm]	Article no.
10	773127
12	770180
15	789821
20	789822
25	789823
32	789824
40	789825
50	789826
65	789827
80	789828
100	789829

Lever for ball valve Type 2654

DN [mm]	Article no.
10...20	770161
25...32	789897
40...50	789671
65...80	770162
100	770163

DTS 1000202400 EN Version: M Status: RL (released | freigegeben | validé) printed: 20.12.2024