



Cable plug, form A according to DIN EN 175301 - 803

- Meets requirements according to ATEX Cat. 3 GD – to be used with Bürkert valves
- Impact and pull test according to EN 60079 standard
- TAG sign for individual labelling
- Hard pre-wired PUR cable in 4 lengths



Product variants described in the data sheet may differ from the product presentation and description.

Type description

Plug-in connection with fixed moulded cable for connecting electrical components according to DIN EN 175301 - 803.

Table of contents

| | |
|--------------------------------------|----------|
| 1. General technical data | 3 |
| 2. Approvals and conformities | 3 |
| 2.1. General notes | 3 |
| 2.2. Conformity | 3 |
| 2.3. Standards | 3 |
| 3. Dimensions | 4 |
| 4. Ordering information | 5 |
| 4.1. Bürkert eShop | 5 |
| 4.2. Bürkert product filter | 5 |
| 4.3. Ordering chart | 5 |

DTS 1000219551 EN Version: H Status: RL (released | freigegeben | valide) printed: 25.02.2026

1. General technical data

| Product properties | |
|------------------------------|--|
| Dimensions | Further information can be found in chapter "3. Dimensions" on page 4. |
| Material | |
| Wire insulation | PP |
| Fastening screw | Stainless steel |
| Seal | TPU injected additional NBR*1 (supplied loose) |
| Body | Polyamide |
| Cable sheath | PUR |
| Contact | Silver-plated brass |
| Bend radius (moving state) | Min. 10x cable diameter |
| Wire insulation color | Brown, blue, green/yellow |
| Cable diameter | 5.5...6.5 mm |
| Cross section area | 3 × 0.75 mm ² |
| Sheath color | Black |
| Number of pins | 4-pin (2 + 2x protective conductor) |
| Electrical data | |
| Operating voltage | Max. 230 V AC/DC |
| Circuit | Without |
| Current-carrying capacity | 4 A |
| Approvals and conformities | |
| Degree of protection | IP65 (in locked position) |
| Environment and installation | |
| Ambient temperature | - 30 °C...+ 90 °C |
| Pollution degree | 3 |

2. Approvals and conformities

2.1. General notes

- The approvals and conformities listed below must be stated when making enquiries. This is the only way to ensure that the product complies with all required specifications.
- Not all available variants can be supplied with the below mentioned approvals or conformities.

2.2. Conformity

In accordance with the Declaration of Conformity, the product is compliant with the EU Directives.

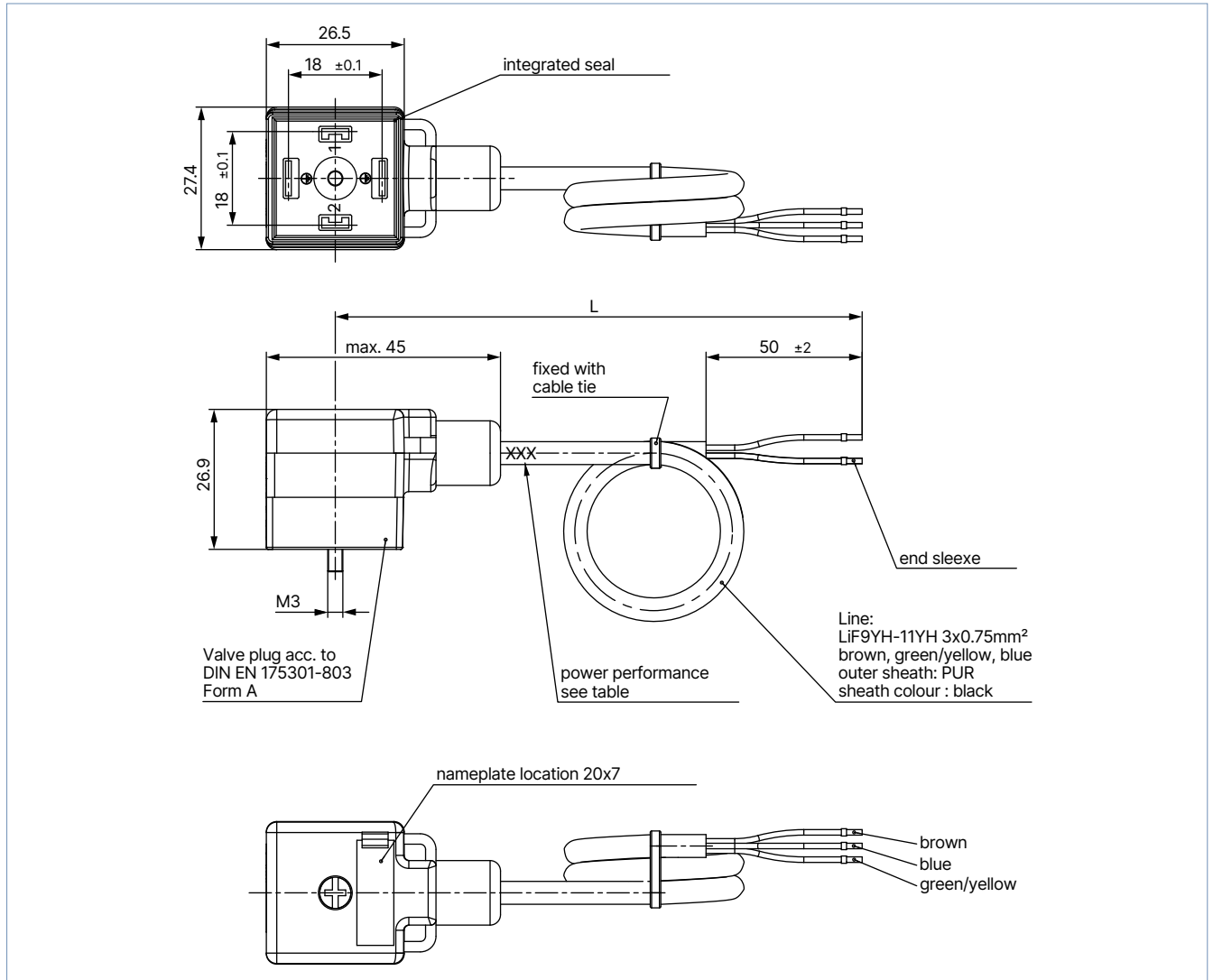
2.3. Standards

The applied standards which are used to demonstrate compliance with the EU Directives are listed in the EU-Type Examination Certificate and/or the EU Declaration of Conformity.

3. Dimensions

Note:

- Dimensions in mm
- Enclosed loose: labelling plate, additional NBR seal for use with Bürkert coils
- Cable lengths under 1 m are not wound.



| L |
|-------|
| [mm] |
| 300 |
| 3000 |
| 5000 |
| 12000 |

DTS 1000219551 EN Version: H Status: RL (released | freigegeben | valide) printed: 25.02.2026

4. Ordering information

4.1. Bürkert eShop



Bürkert eShop – Easy ordering and quick delivery

You want to find your desired Bürkert product or spare part quickly and order directly? Our online shop is available for you 24/7. Sign up and enjoy all the benefits.

[Order online now](#)

4.2. Bürkert product filter



Bürkert product filter – Get quickly to the right product

You want to select products comfortably based on your technical requirements? Use the Bürkert product filter and find suitable articles for your application quickly and easily.

[Try out our product filter](#)

4.3. Ordering chart

| Circuit diagram | Cable length [mm] | Article no. |
|-----------------|----------------------|-------------|
| | 12000 | 260893 |
| | 5000 | 260892 |
| | 3000 | 260891 |
| | 300 | 260890 |

DTS 1000219551 EN Version: H Status: RL (released | freigegeben | valide) printed: 25.02.2026