



Cable Plug Form A

- Protection class IP65
- With integrated AS-Interface connection
- Simple commissioning and error identification with LED status display

Product variants described in the data sheet may differ from the product presentation and description.

Type description

The ASI cable plug consist of a polyamidebody with an integrated slave electronics and aconnector configuration according to DIN EN175301-803 Form A. These plugs connect binary elements with the corresponding tag connectors, e.g., valves, to the AS-interface. In addition, feedback signals can be received by the variants with the M12 socket in the cover. With the M12 connectors, the installation times are quick and the electrical connection is simple. The advantages with ASI cable plug: Robust and quick installation according to the AS-interface specification. LED status displays facilitate commissioning and fault finding. Bus supply: Transmission of signals and supply voltage on a common line. External supply: transmission of signals and supply voltage on separate lines (such as Emergency Stop or elements with high current consumption).

Table of contents

1. General technical data	3
<hr/>	
2. Approvals and conformities	3
2.1. General notes	3
2.2. Conformity	3
2.3. Standards	3
<hr/>	
3. Dimensions	4
<hr/>	
4. Device/Process connections	4
4.1. Connection details	4
<hr/>	
5. Performance specifications	5
5.1. Duty cycle	5
<hr/>	
6. Ordering information	5
6.1. Bürkert eShop	5
6.2. Bürkert product filter	5
6.3. Ordering chart	5

DTS 1000097035 EN Version: G Status: RL (released | freigegeben | validé) printed: 09.01.2025

1. General technical data

Product properties	24 V	110...230 V
Dimensions	Further information can be found in chapter "3. Dimensions" on page 4.	
Material		
Body	Polyamide	Polyamide
Cover	Polysulfone, gray transparent	Polysulfone
Contacts	Brass, galvanised silver-plated	Brass, galvanised silver-plated
Cable diameter	6...7 mm	6...7 mm
Control LED	Green	No
Cross section area	Max. 1.5 mm ²	Max. 1.5 mm ²
Number of pins	2-pin	3-pin
Performance data		
Timeout t_{off} between two switch-on processes	Min. 1 sec.	Min. 1 sec.
Contact distance	18 mm acc. to DIN EN 175301 - 803 form A	18 mm acc. to DIN EN 175301 - 803 form A
Switching frequency	Max. 10/min	Max. 10/min
Switching point detection	AC: no / DC: yes	No
Overexcitation time	AC: 400 ms DC: variable	400 ms
Electrical data		
Inrush power	Max. 72 W	Max. 72 W
Operating voltage	24 V AC/DC Supply voltage according to IEC 364 - 4 - 41 (PELV)	110...230 V AC/DC
Duty cycle	Further information can be found in chapter "5.1. Duty cycle" on page 5	
Holding power	4 W	4 W
Process/Port connection & communication		
Electrical connection	2-pin terminal strip	3-pin terminal strip
Approvals and conformities		
Degree of protection	IP65	IP65
Environment and installation		
Ambient temperature	- 10 °C...+ 55 °C	- 10 °C...+ 55 °C
PE protective conductor contact	No	Yes

2. Approvals and conformities

2.1. General notes

- The approvals and conformities listed below must be stated when making enquiries. This is the only way to ensure that the product complies with all required specifications.
- Not all available versions can be supplied with the below mentioned approvals or conformities.

2.2. Conformity

In accordance with the Declaration of Conformity, the product is compliant with the EU Directives.

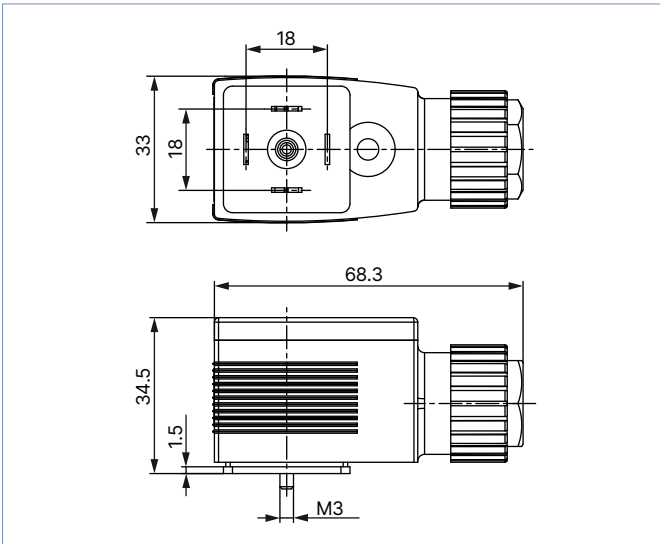
2.3. Standards

The applied standards which are used to demonstrate compliance with the EU Directives are listed in the EU-Type Examination Certificate and/or the EU Declaration of Conformity.

3. Dimensions

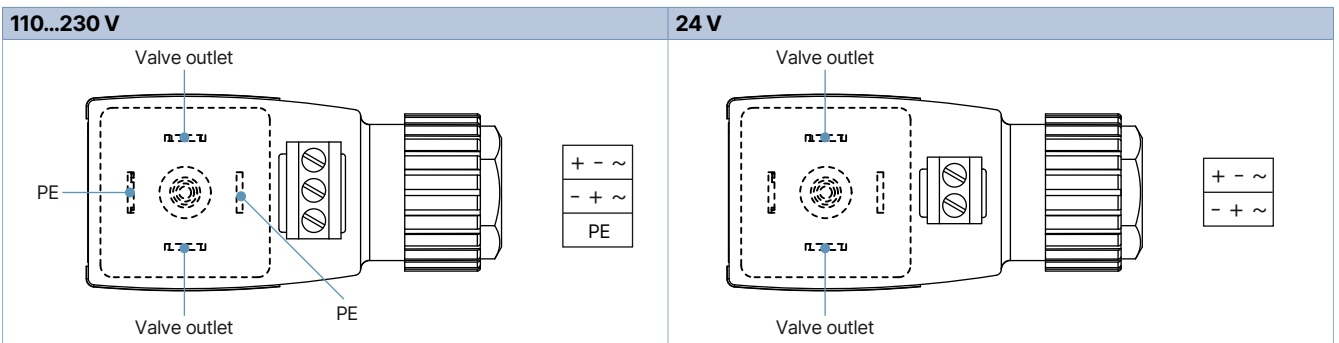
Note:

Dimensions in mm



4. Device/Process connections

4.1. Connection details



DTS 1000097035 EN Version: G Status: RL (released | freigegeben | validé) printed: 09.01.2025

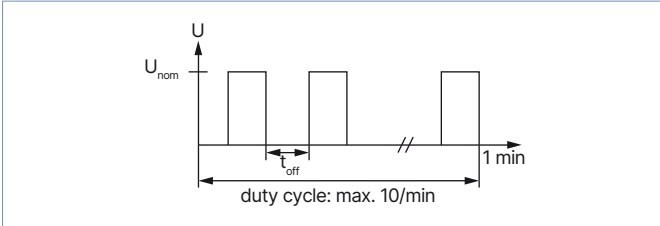
5. Performance specifications

5.1. Duty cycle

If a coil is "overexcited", it is briefly operated with a significantly higher supply voltage. A 24 V supply voltage is typical. However, the coil is designed for 12 V.

With overexcitation, 24 V is applied to the coil for approx. 200...600 ms. This causes the coil to generate a very large force. The valve opens. After overexcitation, the voltage and therefore the power must be reduced immediately so as not to destroy the coil.

If the valve is switched on and off too often in succession, the coil becomes hotter and hotter as it cannot cool down sufficiently during the pause times. To prevent this, Bürkert issues switch-on diagrams which the customer can use as a guide. In this case, the valve must not be switched more than 10 times per minute.



6. Ordering information

6.1. Bürkert eShop



Bürkert eShop – Easy ordering and quick delivery

You want to find your desired Bürkert product or spare part quickly and order directly? Our online shop is available for you 24/7. Sign up and enjoy all the benefits.

[Order online now](#)

6.2. Bürkert product filter



Bürkert product filter – Get quickly to the right product

You want to select products comfortably based on your technical requirements? Use the Bürkert product filter and find suitable articles for your application quickly and easily.

[Try out our product filter](#)

6.3. Ordering chart

Operating voltage [V/Hz]	Article no.
24 V AC/DC	181630
110...230 V AC/DC	138306