



Cable plug, form A according to DIN EN 175301 - 803

- Protected according to degree of protection IP 65
- UL recognised for the USA and Canada



Product variants described in the data sheet may differ from the product presentation and description.

Type description

Cable plug Type 2509 for connection of electrical components according to DIN EN 175301-803.

Table of contents

1. General technical data	3
2. Approvals and conformities	3
2.1. General notes	3
2.2. Conformity	3
2.3. Standards	3
2.4. North America (USA/Canada)	4
3. Dimensions	4
4. Ordering information	5
4.1. Bürkert eShop	5
4.2. Bürkert product filter	5
4.3. Ordering chart	5

DTS 1000010988 EN Version: K Status: RL (released | freigegeben | valide) printed: 25.02.2026

1. General technical data

Product properties	
Dimensions	Further information can be found in chapter "3. Dimensions" on page 4.
Material	
Flat seal	NBR
Body	Polyamide
Contacts	Copper alloy, silver-plated
Cable outlet	Vertically to the plug bottom, insert can be rotated by 4 × 90°
Flying leads cross section	≤ 3 mm ²
Number of pins	2-pin + protective conductor
Electrical data	
Maximum continuous current	6 A
Nominal voltage	0...250 V AC/DC
Product connections	
Connectable cable	Max. 6.5 mm
Connection type	Screw-type terminal
Electrical connection	According to DIN EN 175301 - 803 form A
Threaded connection	NPT ½
Approvals and conformities	
Flammability class (insert)	UL94 HB
Flammability class (body & cover)	UL94 V-0 , 5 VA
Degree of protection	IP65 (NEMA 4X)
North America (USA/Canada)	Further information can be found in chapter "2.4. North America (USA/Canada)" on page 4.
Environment and installation	
Ambient temperature	- 40 °C...+ 90 °C

2. Approvals and conformities

2.1. General notes

- The approvals and conformities listed below must be stated when making enquiries. This is the only way to ensure that the product complies with all required specifications.
- Not all available variants can be supplied with the below mentioned approvals or conformities.

2.2. Conformity

In accordance with the Declaration of Conformity, the product is compliant with the EU Directives.

2.3. Standards

The applied standards which are used to demonstrate compliance with the EU Directives are listed in the EU-Type Examination Certificate and/or the EU Declaration of Conformity.

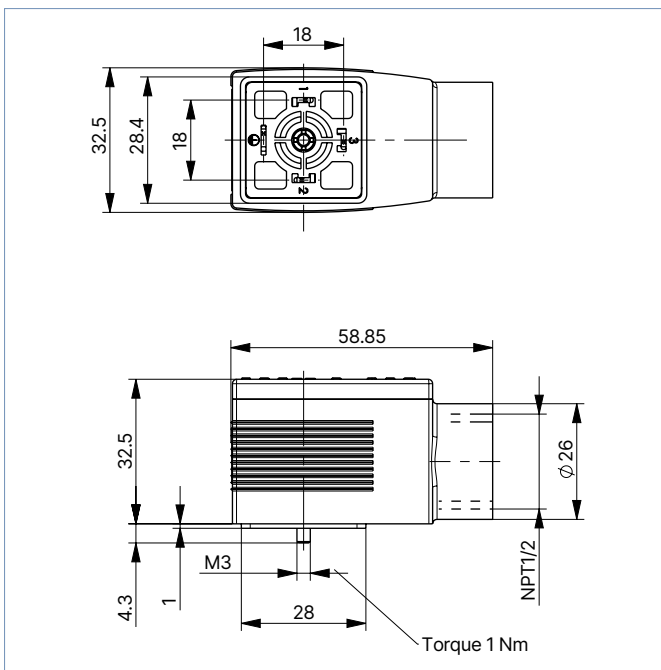
2.4. North America (USA/Canada)

Approval	Description
	<p>Optional: UL Recognized for the USA and Canada The products are UL Recognized for the USA and Canada according to:</p> <ul style="list-style-type: none"> • UL 2238 Cable assemblies and Fittings for Industrial Control and Signal distribution • CSA Standard C 22.2 No. 182.3-M1987 – Special Use Attachment Plugs, Receptacles, and Connectors

3. Dimensions

Note:


Dimensions in mm



DTS 1000010988 EN Version: K Status: RL (released | freigegeben | valide) printed: 25.02.2026

4. Ordering information

4.1. Bürkert eShop




Bürkert eShop – Easy ordering and quick delivery

You want to find your desired Bürkert product or spare part quickly and order directly? Our online shop is available for you 24/7. Sign up and enjoy all the benefits.

[Order online now](#)

4.2. Bürkert product filter

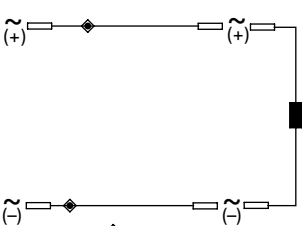


Bürkert product filter – Get quickly to the right product

You want to select products comfortably based on your technical requirements? Use the Bürkert product filter and find suitable articles for your application quickly and easily.

[Try out our product filter](#)

4.3. Ordering chart

Circuit diagram	Operating voltage [V/Hz]	Continuous current [A]	Article no.
Without wiring (Standard) 	0...250 V AC/DC	Max. 6 A	137943

DTS 1000010988 EN Version: K Status: RL (released | freigegeben | valide) printed: 25.02.2026