



Cable plug, form A according to DIN EN 175301-803

- Degree of protection IP 65
- UL/UR approvals



Product variants described in the data sheet may differ from the product presentation and description.

Type description

Cable plug device key 2509 for connection of electrical components according to DIN EN 175301-803.


Table of contents

1. General technical data	3
2. Approvals	3
3. Dimensions	4
4. Ordering information	5
4.1. Bürkert eShop – Easy ordering and quick delivery	5
4.2. Bürkert product filter	5
4.3. Ordering chart	5

1. General technical data

Product properties	
Dimensions	Detailed information can be found in chapter "3. Dimensions" on page 4.
Material	
Body	PA (polyamide)
Contact	Copper alloy, silver-plated
Isolation between cable plug and coil	NBR flat seal
Cable outlet	Vertically to the plug bottom, insert can be rotated by 4 × 90°
Cross section area	≤ 3 mm ²
Number of pins	2 pins + protective earth
Electrical data	
Flammability class (insert)	UL94 HB
Flammability class (body & cover)	UL94 V-0
Continuous current	Max. 6 A
Rated voltage	0...250 V AC/DC
Approvals and certificates	
Degree of protection	IP65 (NEMA 4)
Approval	
UR	Detailed information can be found in chapter "2. Approvals" on page 3.
Process/Port connection & communication	
Connectable cable	Max. 6,5 mm
Connection type	Screw-type terminal
Electrical connection	Acc. DIN EN 175301-803 form A
Connection thread	NPT ½"
Environment and installation	
Ambient temperature	- 10 °C...+ 55 °C

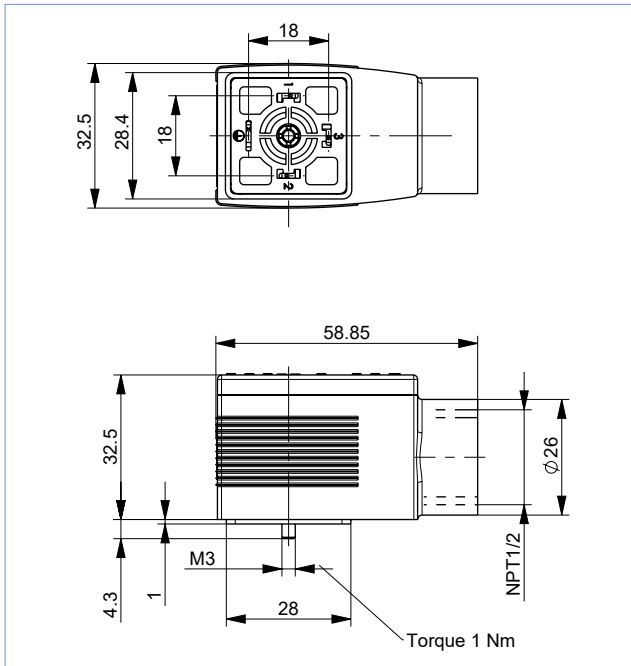
2. Approvals

Approvals	Description
	UR The Type 2509 has a UR approval as component.

3. Dimensions


Note:

Dimensions in mm



4. Ordering information

4.1. Bürkert eShop – Easy ordering and quick delivery




Bürkert eShop – Easy ordering and quick delivery

You want to find your desired Bürkert product or spare part quickly and order directly? Our online shop is available for you 24/7. Sign up and enjoy all the benefits.

[Order online now](#)

4.2. Bürkert product filter

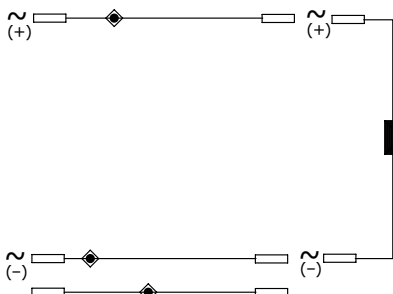


Bürkert product filter – Get quickly to the right product

You want to select products comfortably based on your technical requirements? Use the Bürkert product filter and find suitable articles for your application quickly and easily.

[Try out our product filter](#)

4.3. Ordering chart

Circuit diagram	Voltage	Continuous current	Article no.
	[V/Hz]	[A]	
Without circuitry (Standard)			
	0...250 V AC/DC	Max. 6 A	137943

Bürkert – Close to You

For up-to-date addresses
please visit us at
www.burkert.com

DTS 1000010988 EN Version: H | Status: RL (released | freigegeben | valide) printed: 03.07.2023

