



10 mm socket for Bürkert small solenoid valves

- Installation width 10 mm
- Cable and stranded wire version available
- Contact clearance in grid dimension 2.54 mm
- Latching



Product variants described in the data sheet may differ from the product presentation and description.

Can be combined with

	Type 6144 3/2-way flipper solenoid valve, direct-acting	▶
	Type 0127 2/2-way or 3/2-way rocker solenoid valve with separating diaphragm	▶
	Type 6628 2/2 or 3/2-way TwinPower rocker solenoid valve with separating diaphragm	▶
	Type 6624 2/2 and 3/2 way Bürkert TwinPower rocker solenoid valve with separating diaphragm	▶

Type description

Plug connection with latching lug for contacting Bürkert solenoid valves with rectangular plug connector. This robust and affordable plug connection has become well established for all Bürkert small solenoid valves in the fields of analysis technology and process pneumatics. Besides stranded wire and cable versions, push-in connectors for printed circuit board (PCB) installation are also available.

Table of contents

1. General technical data	3
2. Product variants	3
3. Circuit functions	4
4. Approvals and conformities	4
4.1. General notes	4
4.2. Conformity	4
4.3. Standards	4
5. Dimensions	5
5.1. Cable variant with straight push-in connector	5
5.2. Cable variant with angled push-in connector	6
5.3. Flying leads variant	7
5.4. Connector for PCB mounting	8
6. Ordering information	9
6.1. Bürkert eShop	9
6.2. Bürkert product filter	9
6.3. Ordering chart	9
Cable variant with straight Push-in connector	9
Cable variant with angled Push-in connector	9
Flying leads variant	9
Connector for self-assembly	9
Connector for PCB mounting	9

DTS 1000274823 EN Version: G Status: RL (released | freigegeben | valide) printed: 25.02.2026

1. General technical data

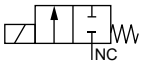
Product properties	
Dimensions	Further information can be found in chapter "5. Dimensions" on page 5.
Material	
Body	Cable variant with straight push-in connector: POM and Polyamide Cable variant with angled push-in connector: ABS Flying leads variant: POM PCB mounting: Polyamide
Contacts	Brass gold-plated
Cable jacket	PVC
Flying leads cross section	Cable variant with straight push-in connector: 0.25 mm ² Cable variant with angled push-in connector: 0.14 mm ² Flying leads variant: 0.14 mm ² oder 0.25 mm ²
Cable outlet	Straight or angled
Cable diameter	Cable variant with straight push-in connector: approx. 4.1 mm (2-pin), approx. 4.2 mm (3-pin) Cable variant with angled push-in connector: approx. 3.3 mm Flying leads variant: approx. 1.35 mm (0.14 mm ²), approx. 1.5 mm (0.25 mm ²)
Cable ends	Cable variant with straight push-in connector: end ferrule Cable variant with angled push-in connector: not stripped Flying leads variant: blank
Minimum bend radius	
Cable variant	Single bend: 10 x outer diameter Multiple bend: 15 x outer diameter
Flying leads variant	Single bend: 5 x outer diameter Multiple bend: 10 x outer diameter
Locking	Yes
Electrical data	
Maximum continuous current	1 A
Nominal voltage	0...50 V AC/DC
Contact resistance	Approx. 20 mOhm
Approvals and conformities	
Degree of protection	IP30
Environment and installation	
Ambient temperature	- 10 °C...+ 80 °C

2. Product variants

Cable variant with straight push-in connector (coating color grey)	Cable variant with straight push-in connector (coating color black)	Cable variant with angled push-in connector
Flying leads variant	Push-in connector for self-assembly	Push-in connector for PCB mounting

DTS 1000274823 EN Version: G Status: RL (released | freigegeben | valide) printed: 25.02.2026

3. Circuit functions

Symbol	Description
	Circuit function A (CF A) 2/2-way solenoid valve Direct-acting Normally closed
	Circuit function T (CF T) 3/2-way solenoid valve Direct-acting Flow direction optional Universal

4. Approvals and conformities

4.1. General notes

- The approvals and conformities listed below must be stated when making enquiries. This is the only way to ensure that the product complies with all required specifications.
- Not all available variants can be supplied with the below mentioned approvals or conformities.

4.2. Conformity

In accordance with the Declaration of Conformity, the product is compliant with the EU Directives.

4.3. Standards

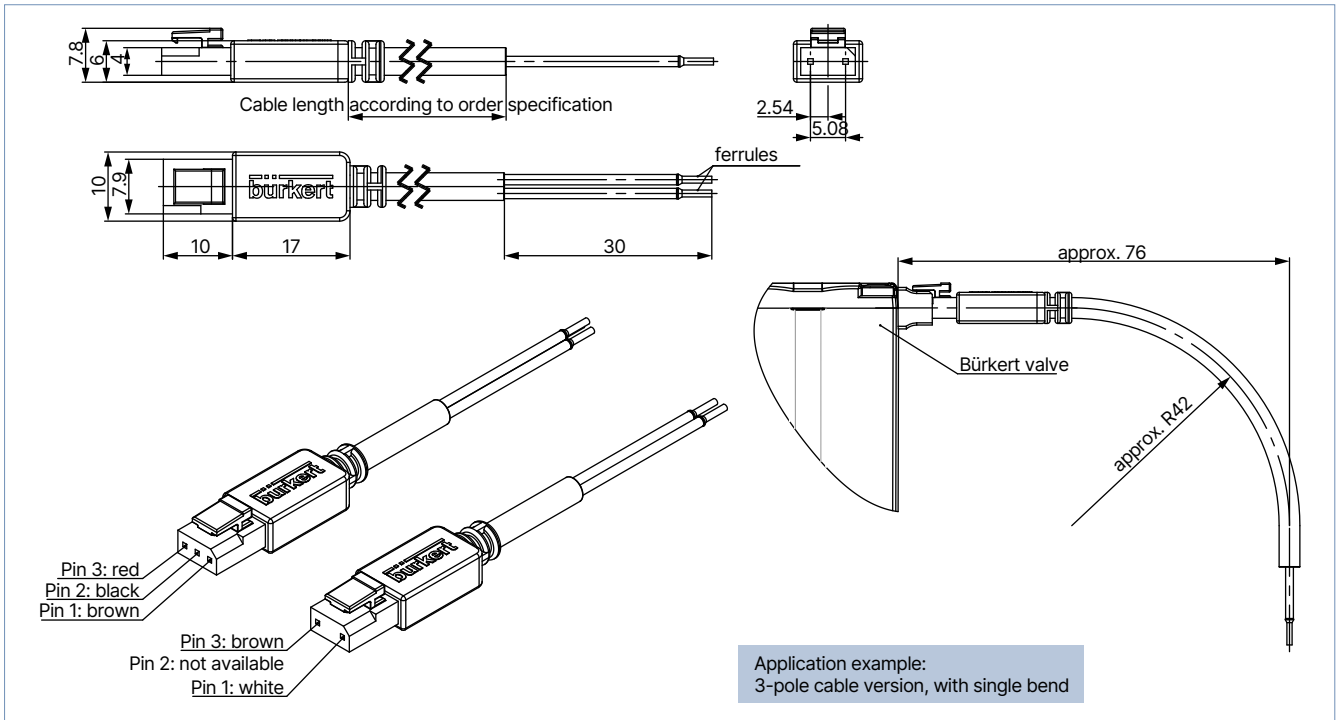
The applied standards which are used to demonstrate compliance with the EU Directives are listed in the EU-Type Examination Certificate and/or the EU Declaration of Conformity.

5. Dimensions

5.1. Cable variant with straight push-in connector

Note:

Dimensions in mm



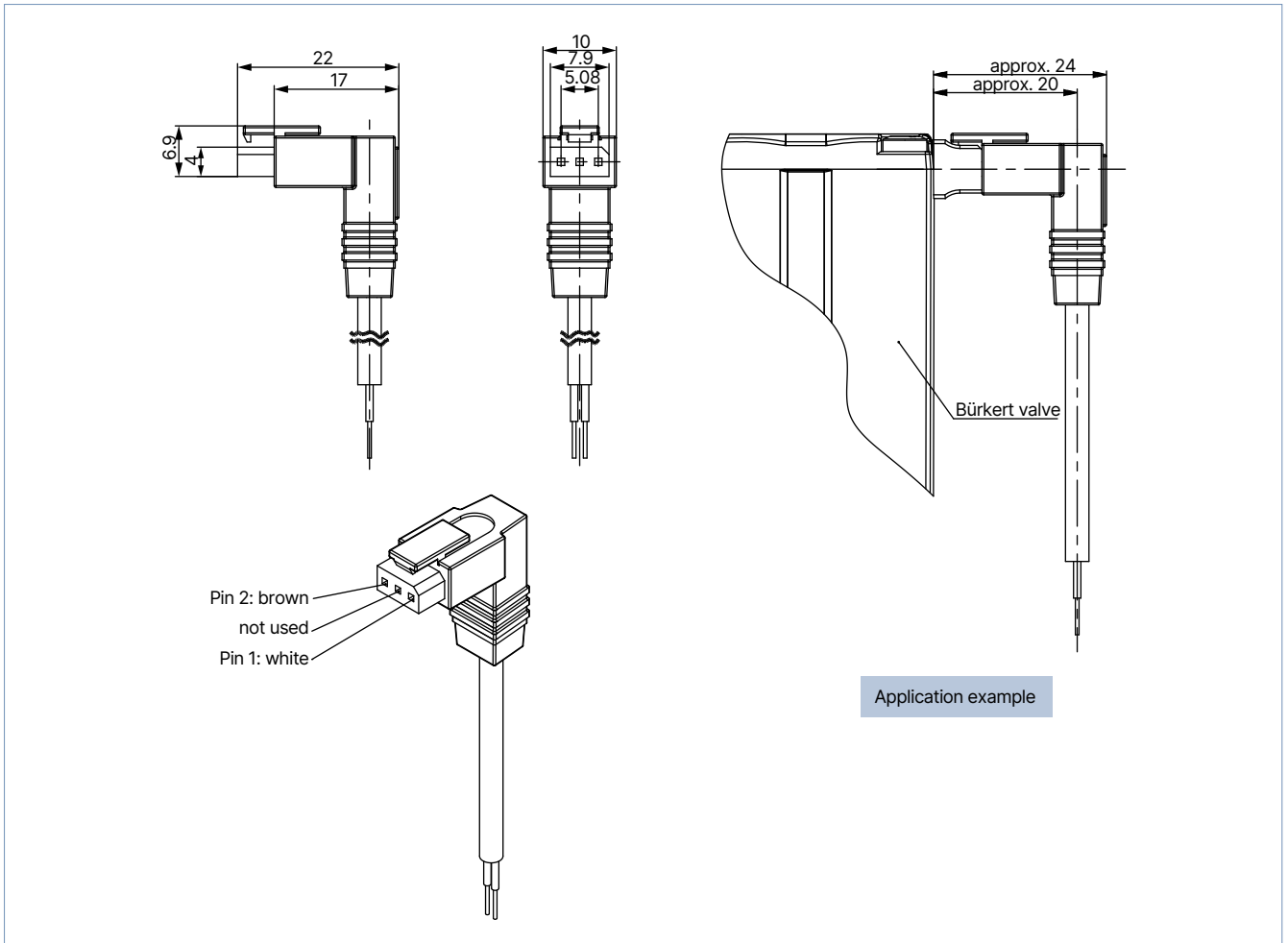
Application example:
3-pole cable version, with single bend

Description	Cable length	Article no.
2-pin push-in connector, coating color grey		
	0.5 m	260807
	3.0 m	252572
	5.0 m	255194
3-pin push-in connector, coating color black		
	0.5 m	260833
	3.0 m	252573

5.2. Cable variant with angled push-in connector

Note:

- Dimensions in mm
- Plugs with the cable outlet on top are available on request.



Application example

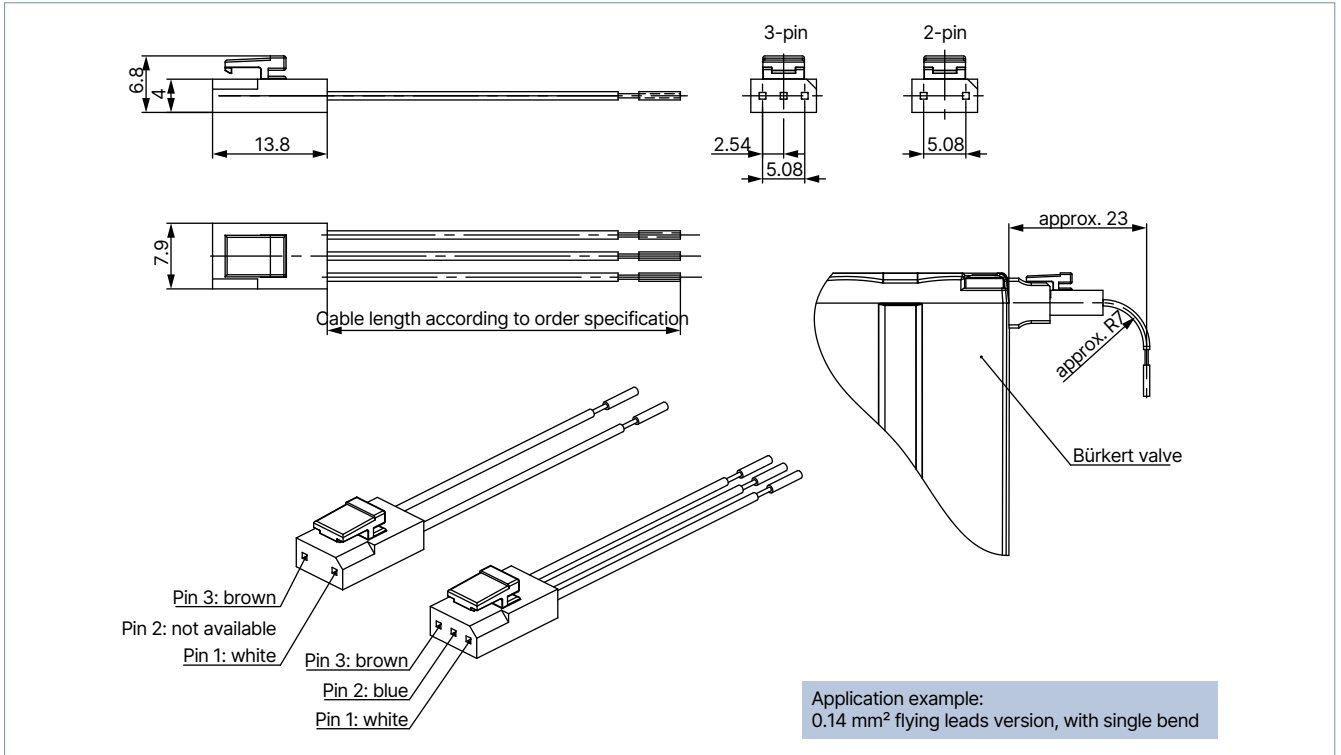
Description	Cable length	Article no.
	3.0 m	381035 
	5.0 m	o. r.

o. r. = on request

5.3. Flying leads variant

Note:

Dimensions in mm



Application example:
0.14 mm² flying leads version, with single bend

Flying leads variant

Description	Wire cross-section	Flying leads length	Number of pins	Article no.
Connector with single flying leads				
	0.14 mm ²	300 mm	2	644068
		600 mm	2	162144
		300 mm	3	212968
	0.25 mm ²	300 mm	2	262346
		600 mm	2	262351
		300 mm	3	262350

Connector self-assembly

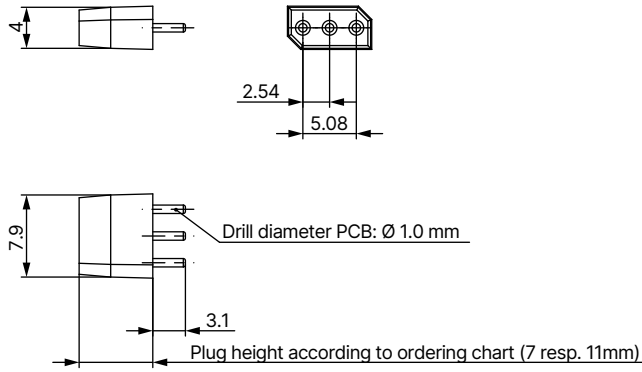
Description	Suitable for core cross-section	Number of pins	Article no.
Connector housing, locking, with loose crimp contacts			
	0.08...0.34 mm ² (corresponds to AWG 28 - AWG 22)	2	644067

DTS 1000274823 EN Version: G Status: RL (released | freigegeben | valide) printed: 25.02.2026

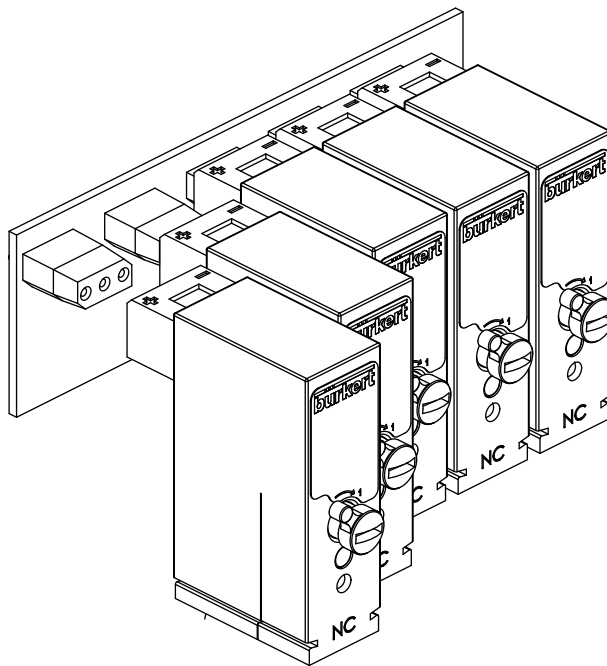
5.4. Connector for PCB mounting

Note:

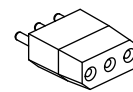
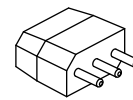
Dimensions in mm



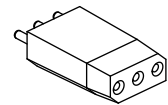
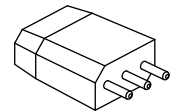
Application example:
Valves contacted via PCB



Article no. 645527



Article no. 645526



DTS 1000274823 EN Version: G Status: RL (released | freigegeben | valide) printed: 25.02.2026

Description	Mated height	Article no.
 3-pin push-in connector, grid dimension 2.54 mm, non-locking	7 mm	645527
	11 mm	645526

6. Ordering information

6.1. Bürkert eShop



Bürkert eShop – Easy ordering and quick delivery

You want to find your desired Bürkert product or spare part quickly and order directly? Our online shop is available for you 24/7. Sign up and enjoy all the benefits.

[Order online now](#)

6.2. Bürkert product filter



Bürkert product filter – Get quickly to the right product

You want to select products comfortably based on your technical requirements? Use the Bürkert product filter and find suitable articles for your application quickly and easily.

[Try out our product filter](#)

6.3. Ordering chart

Cable variant with straight Push-in connector

Refer to chapter [“5.1. Cable variant with straight push-in connector” on page 5](#) for more order information.

Cable variant with angled Push-in connector

Refer to chapter [“5.2. Cable variant with angled push-in connector” on page 6](#) for more order information.

Flying leads variant

Refer to chapter [“5.3. Flying leads variant” on page 7](#) for more order information.

Connector for self-assembly

Refer to chapter [“5.3. Flying leads variant” on page 7](#) for more order information.

Connector for PCB mounting

Refer to chapter [“5.4. Connector for PCB mounting” on page 8](#) for more order information.