







10 mm socket for Bürkert small solenoid valves

- Installation width 10 mm
- Cable and stranded wire version available
- Contact clearance in grid dimension 2.54 mm
- Latching

Product variants described in the data sheet may differ from the product presentation and description.

Can be combined with

	Type 6144 3/2-way flipper solenoid valve, direct-acting	▶
	Type 0127 2/2 or 3/2-way rocker solenoid valve with separating diaphragm	▶
	Type 6628 2/2 or 3/2 way TwinPower Rocker-Solenoid Valve with separating diaphragm	▶
	Type 6624 2/2 and 3/2 way Bürkert TwinPower rocker solenoid valve with separating diaphragm	▶

Type description

Plug connection with latching lug for contacting Bürkert solenoid valves with rectangular plug connector. This robust and affordable plug connection has become well established for all Bürkert small solenoid valves in the fields of analysis technology and process pneumatics. Besides stranded wire and cable versions, push-in connectors for printed circuit board (PCB) installation are also available.

Table of contents

1. General technical data	3
2. Product versions	3
3. Circuit functions	4
4. Approvals and conformities	4
4.1. General notes	4
4.2. Conformity	4
4.3. Standards	4
5. Dimensions	5
5.1. Cable version with straight push-in connector	5
5.2. Cable version with angled push-in connector	6
5.3. Flying leads version	7
5.4. Connector for PCB mounting	8
6. Ordering information	9
6.1. Bürkert eShop	9
6.2. Bürkert product filter	9
6.3. Ordering chart	9
Cable version with straight Push-in connector	9
Cable version with angled Push-in connector	9
Flying leads version	9
Connector for self-assembly	9
Connector for PCB mounting	9

DTS 1000274823 EN Version: F Status: RL (released | freigegeben | valide) printed: 18.12.2024

1. General technical data

Product properties	
Dimensions	Further information can be found in chapter "5. Dimensions" on page 5.
Material	
Body	Cable version with straight push-in connector: POM and Polyamide Cable version with angled push-in connector: ABS Flying leads version: POM PCB mounting: Polyamide
Contacts	Brass gilded
Cable jacket	PVC
Flying leads cross section	Cable version with straight push-in connector: 0.25 mm ² Cable version with angled push-in connector: 0.14 mm ² Flying leads version: 0.14 mm ² oder 0.25 mm ²
Cable outlet	Straight or angled
Cable diameter	Cable version with straight push-in connector: approx. 4.1 mm (2-pin), approx. 4.2 mm (3-pin) Cable version with angled push-in connector: approx. 3.3 mm Flying leads version: approx. 1.35 mm (0.14 mm ²), approx. 1.5 mm (0.25 mm ²)
Cable ends	Cable version with straight push-in connector: end ferrule Cable version with angled push-in connector: not stripped Flying leads version: blank
Minimum bending radius	
Cable version	Single bend: 10 x outer diameter Multiple bending: 15 x outer diameter
Flying leads version	Single bend: 5 x outer diameter Multiple bending: 10 x outer diameter
Locking	Yes
Electrical data	
Maximum continuous current	1 A
Nominal voltage	0...50 V AC/DC
Contact resistance	Approx. 20 mOhm
Approvals and conformities	
Degree of protection	IP30
Environment and installation	
Ambient temperature	- 10 °C...+ 80 °C

2. Product versions

Cable version with straight push-in connector (coating color grey)	Cable version with straight push-in connector (coating color black)	Cable version with angled push-in connector
Flying leads version	Push-in connector for self-assembly	Push-in connector for PCB mounting

DTS 1000274823 EN Version: F Status: RL (released | freigegeben | valide) printed: 18.12.2024

3. Circuit functions

Symbol	Description
	Circuit function A (CF A) 2/2-way solenoid valve Direct-acting Normally closed
	Circuit function T (CF T) 3/2-way solenoid valve Direct-acting Flow direction optional Universal

4. Approvals and conformities

4.1. General notes

- The approvals and conformities listed below must be stated when making enquiries. This is the only way to ensure that the product complies with all required specifications.
- Not all available versions can be supplied with the below mentioned approvals or conformities.

4.2. Conformity

In accordance with the Declaration of Conformity, the product is compliant with the EU Directives.

4.3. Standards

The applied standards which are used to demonstrate compliance with the EU Directives are listed in the EU-Type Examination Certificate and/or the EU Declaration of Conformity.

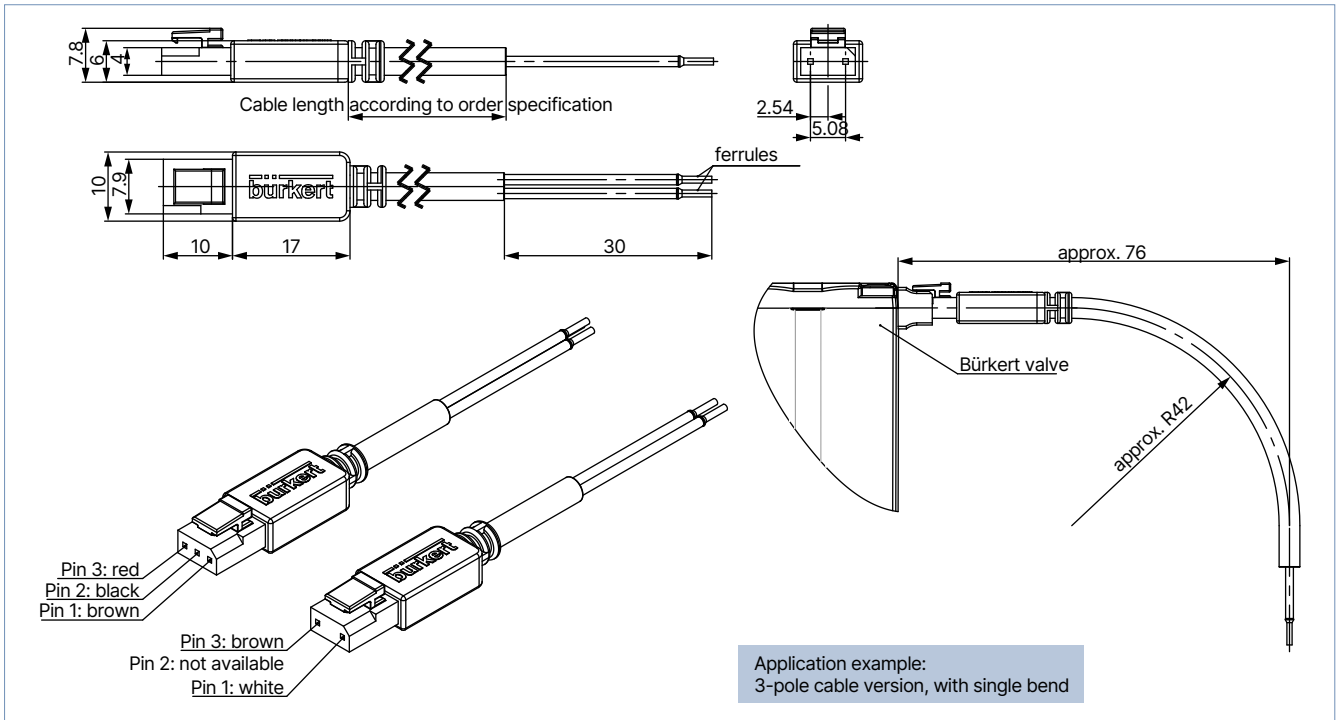
DTS 1000274823 EN Version: F Status: RL (released | freigegeben | validé) printed: 18.12.2024

5. Dimensions

5.1. Cable version with straight push-in connector

Note:

Dimensions in mm

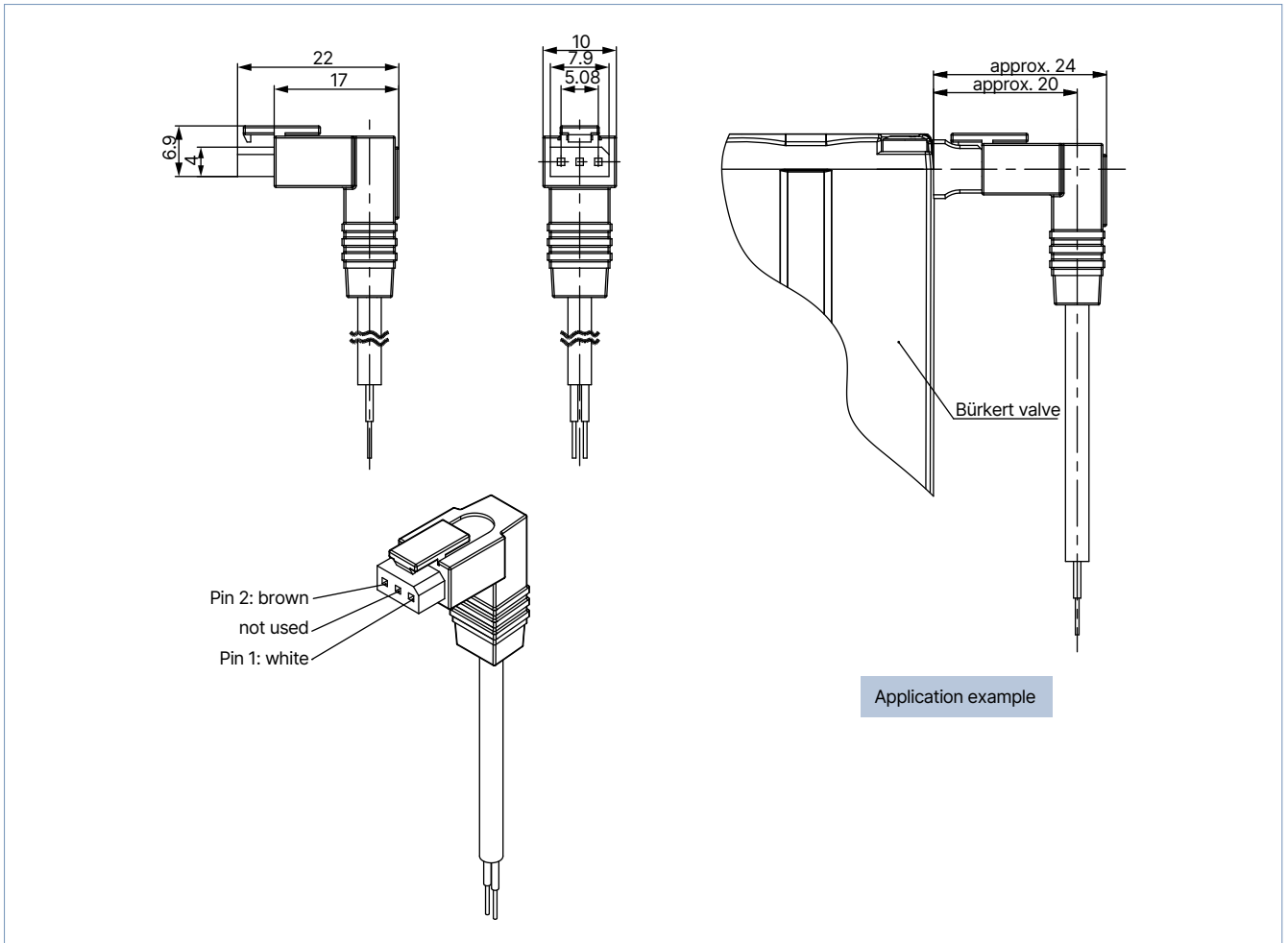


Description	Cable length	Article no.
2-pin push-in connector, coating color grey		
	0.5 m	260807
	3.0 m	252572
	5.0 m	255194
3-pin push-in connector, coating color black		
	0.5 m	260833
	3.0 m	252573

5.2. Cable version with angled push-in connector

Note:

- Dimensions in mm
- Plugs with the cable outlet on top are available on request.



Description	Cable length	Article no.
	3.0 m	381035 ☹
	5.0 m	o. r.

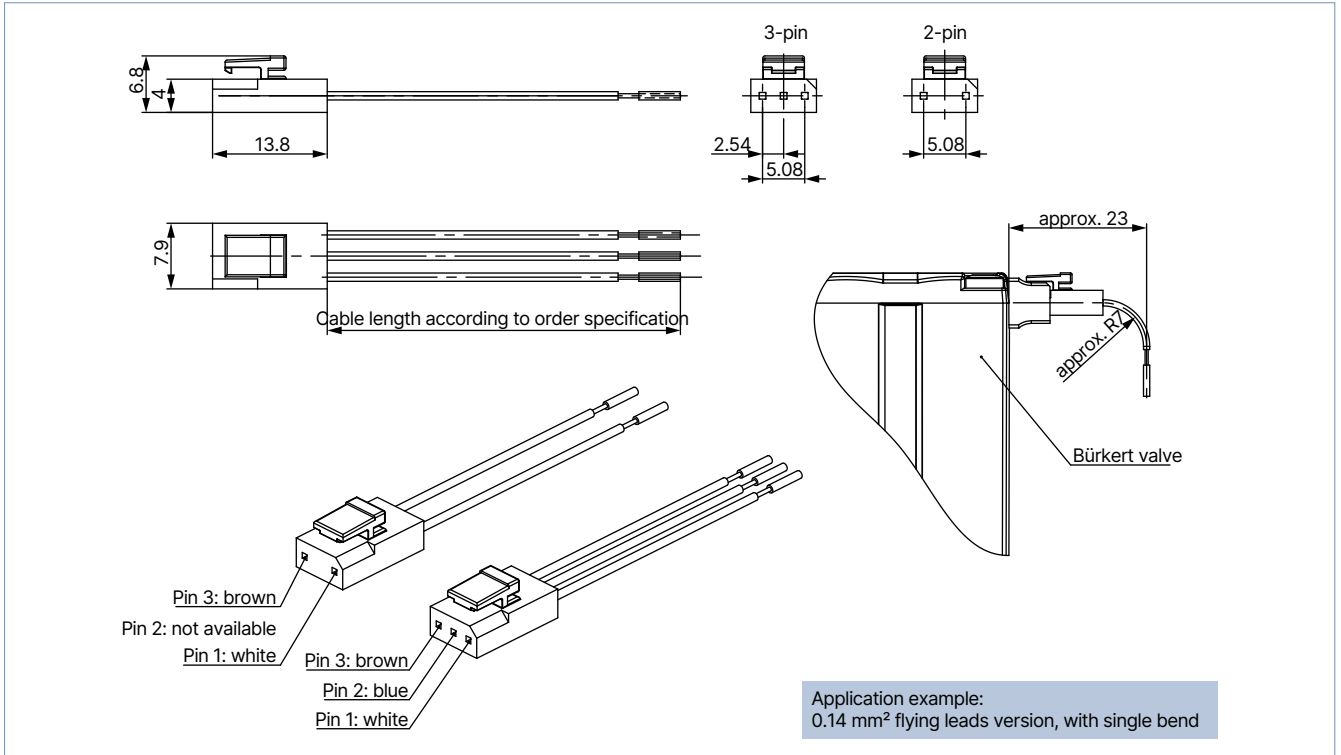
o. r. = on request

DTS 1000274823 EN Version: F Status: RL (released | freigegeben | validé) printed: 18.12.2024

5.3. Flying leads version

Note:

Dimensions in mm



Application example:
0.14 mm² flying leads version, with single bend

Flying leads version

Description	Wire cross-section	Flying leads length	Number of pins	Article no.
Connector with single flying leads				
	0.14 mm ²	300 mm	2	644068
		600 mm	2	162144
		300 mm	3	212968
	0.25 mm ²	300 mm	2	262346
		600 mm	2	262351
		300 mm	3	262350

Connector self-assembly

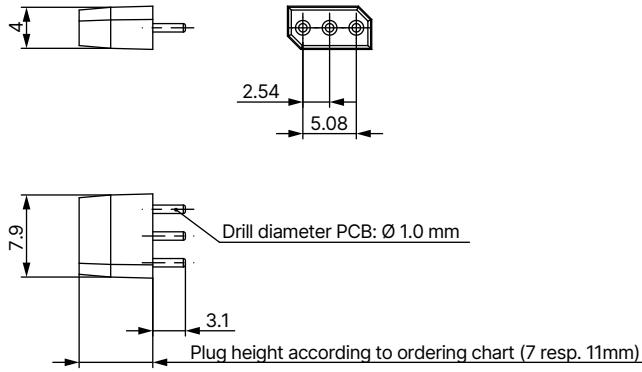
Description	Suitable for core cross-section	Number of pins	Article no.
Connector housing, locking, with loose crimp contacts			
	0.08...0.34 mm ² (corresponds to AWG 28 - AWG 22)	2	644067

DTS 1000274823 EN Version: F Status: RL (released | freigegeben | validé) printed: 18.12.2024

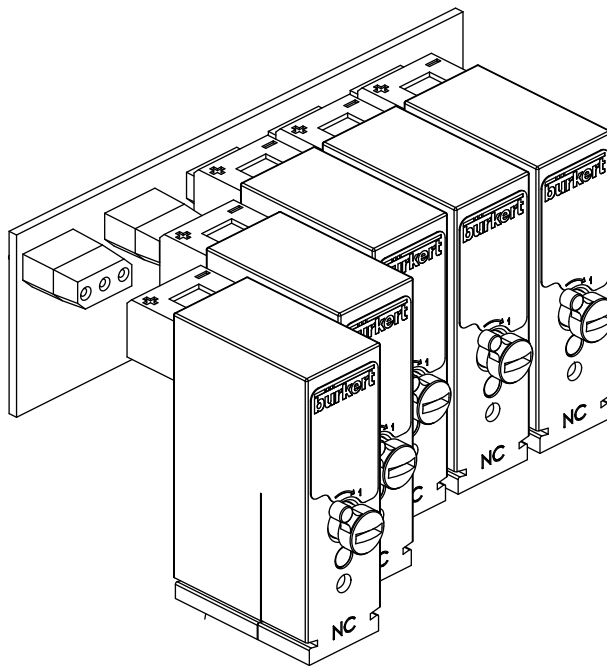
5.4. Connector for PCB mounting

Note:

Dimensions in mm

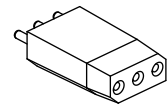
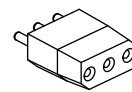
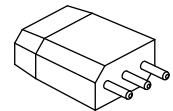
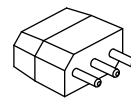


Application example:
Valves contacted via PCB






Article no. 645527

Article no. 645526



DTS 1000274823 EN Version: F Status: RL (released | freigegeben | validé) printed: 18.12.2024

Description	Mated height	Article no.
 3-pin push-in connector, grid dimension 2.54 mm, non-locking	7 mm	645527 
	11 mm	645526 

6. Ordering information

6.1. Bürkert eShop



Bürkert eShop – Easy ordering and quick delivery

You want to find your desired Bürkert product or spare part quickly and order directly? Our online shop is available for you 24/7. Sign up and enjoy all the benefits.

[Order online now](#)

6.2. Bürkert product filter



Bürkert product filter – Get quickly to the right product

You want to select products comfortably based on your technical requirements? Use the Bürkert product filter and find suitable articles for your application quickly and easily.

[Try out our product filter](#)

6.3. Ordering chart

Cable version with straight Push-in connector

Refer to chapter [“5.1. Cable version with straight push-in connector” on page 5](#) for more order information.

Cable version with angled Push-in connector

Refer to chapter [“5.2. Cable version with angled push-in connector” on page 6](#) for more order information.

Flying leads version

Refer to chapter [“5.3. Flying leads version” on page 7](#) for more order information.

Connector for self-assembly

Refer to chapter [“5.3. Flying leads version” on page 7](#) for more order information.

Connector for PCB mounting

Refer to chapter [“5.4. Connector for PCB mounting” on page 8](#) for more order information.