



T-diaphragm valve with pneumatic actuator in stainless steel (Type INOX)

- Valve body and diaphragm are available in various materials and variants
- Wetted surfaces from $Ra \leq 0.38 \mu m \dots \leq 1.6 \mu m$ (optionally electropolished)
- Available in all common connection sizes and variants



Product variants described in the data sheet may differ from the product presentation and description.

Can be combined with

	Type SV02 Diaphragms	▶
	Type 2034 Multifunction block solutions	▶
	Type 2933 2/2-way diaphragm valve with manually operated actuator (basic)	▶
	Type 2036 Robolux multiway diaphragm valve, pneumatically operated	▶
	Type 8652 AirLINE – the valve island optimised for process automation	▶
	Type 8697 Pneumatic control unit for decentralised automation of process valves ELEMENT	▶
	Type 8098 FLOWave SAW flowmeter	▶

Type description

The externally controlled diaphragm valve Type 2064 consists of a pneumatically operated stainless steel piston actuator, a diaphragm and a T-valve body. The proven and robust actuator with stainless steel housing ensures use in hygienic or aggressive ambient conditions. The flow-efficient valve bodies with little dead space enable high flow rates and a wide range of possible uses. The valve body and the diaphragm are available in all common materials and variants. The actuator has a compact, autoclavable design with a large stainless steel housing, high temperature resistance and gap-free seals. The integration of the automation units Type 8697 is possible in all configuration levels (can be retrofitted). The actuator is equipped with an integrated, optical position indicator as standard.

DTS 1000450610 EN Version: F Status: RL (released | freigegeben | validé) printed: 18.12.2024

Table of contents

1. General technical data	3
2. Approvals and conformities	4
2.1. General notes	4
2.2. Conformity	4
2.3. Standards	4
2.4. Explosion protection.....	4
2.5. Foods and beverages/Hygiene	4
2.6. Others	4
3. Materials	5
3.1. Bürkert resistApp	5
3.2. Material specifications	5
3.3. Example of available membrane materials.....	5
4. Dimensions	6
4.1. Actuator	6
INOX actuator	6
INOX actuator with control Type 8697	7
4.2. T-Body with welded connection	8
4.3. T-Body with clamp connection	12
5. Performance specifications	13
5.1. Medium pressure	13
6. Product accessories	13
7. Networking and combination with other Bürkert products	14
8. Ordering information	15
8.1. Bürkert eShop	15
8.2. Bürkert product filter	15
8.3. Bürkert Product Enquiry Form	15

1. General technical data

Product properties	
Dimensions	Further information can be found in chapter "4. Dimensions" on page 6.
Material	
Block body (VH) ¹⁾	Bloc material 1.4435 according to DIN EN 10088 and 316 I according to ASTM A479 / A479M
Block body (VI) ¹⁾	Bloc material 1.4435 according to BN2 and 316L according to ASME BPE table DT- 3
Diaphragm	EPDM (AD) ¹⁾ , PTFE/EPDM (EA) ¹⁾ , Advanced PTFE/EPDM (EU) ¹⁾ , laminate of GYLON® and EPDM (ER) ¹⁾
Actuator cover	1.4404
Diaphragm socket	1.4308
Diaphragm size	8...50
Standard surface quality	
Block body (VH/VI) ¹⁾	Internally electrically polished: Ra ≤ 0.38 µm (NO17) ¹⁾ (ASME BPE SF4 / DIN HE4) (external Ra ≤ 1.6 µm) Internally mechanically polished: Ra ≤ 0.5 µm (NO14) ¹⁾ (ASME BPE SF1) (external Ra ≤ 1.6 µm)
Performance data	
Maximum pilot pressure CF A	10.5 bar 7.5 bar for actuator size 130 ¹⁾ See "5.1. Medium pressure" on page 13
Pilot air port	Thread G 1/8
Medium data	
Process medium	Neutral gases and fluids, highly purified, sterile, aggressive or abrasive mediums (see resistance chart ▶)
Medium temperature	
EPDM (AD) ¹⁾	- 10...+ 143 °C (steam sterilisation + 150 °C for 60 min)
PTFE/EPDM (EA) ¹⁾	- 10...+ 130 °C (steam sterilisation + 140 °C for 60 min)
PTFE/EPDM (EU) ¹⁾	- 5...+ 143 °C (steam sterilisation + 150 °C for 60 min)
Laminate of GYLON® and EPDM (ER) ¹⁾	- 5...+ 130 °C (steam sterilisation + 140 °C for 60 min)
Control medium	Neutral gases, air
Process/Port connection & communication	
Nominal diameter (port connection)	DN 08...DN 100
Port connection ²⁾	
Welded connection ²⁾	DIN EN ISO 1127 / ISO 4200 / DIN 11866 series B DIN 11850 - 2 / DIN 11866 series A / DIN EN 10357 series A ASME BPE / DIN 11866 series C
Clamp connection ²⁾	DIN 32676 series A (DIN pipe) DIN 32676 series B (ISO pipe) ASME BPE
Environment and installation	
Installation position	See operating manual Type 2063 ▶
Ambient temperature	0 °C...+ 60 °C, autoclavable (according to technical clarification)

1.) This information is part of the product key (see **"8.3. Bürkert Product Enquiry Form"** on page 15).

2.) Other variants are available on request.

2. Approvals and conformities

2.1. General notes

- The approvals and conformities listed below must be stated when making enquiries. This is the only way to ensure that the product complies with all required specifications.
- Not all available versions can be supplied with the below mentioned approvals or conformities.



2.2. Conformity

In accordance with the Declaration of Conformity, the product is compliant with the EU Directives.


2.3. Standards

The applied standards which are used to demonstrate compliance with the EU Directives are listed in the EU-Type Examination Certificate and/or the EU Declaration of Conformity.

2.4. Explosion protection

Approval	Description																
 	<p>Optional: Explosion protection (valid for the variable code PX51) As a category 2 device suitable for zone 1/21 and zone 2/22.</p> <p>ATEX: EPS 18 ATEX 2 008 X II 2G Ex h IIC T4...T2 Gb II 2D Ex h IIC T135 °C...T300 °C Db</p> <p>IECEx: IECEx EPS 18.0007X Ex h IIC T4...T2 Gb Ex h IIC T135 °C...T300 °C Db</p> <table border="1"> <thead> <tr> <th>Temperature class</th> <th>T2</th> <th>T3</th> <th>T4</th> </tr> </thead> <tbody> <tr> <td>Permissible surface temperature</td> <td>+ 300 °C</td> <td>+ 200 °C</td> <td>+ 135 °C</td> </tr> <tr> <td>Ambient temperature</td> <td>- 40...+ 130 °C</td> <td>- 40...+ 130 °C</td> <td>- 40...+ 100 °C</td> </tr> <tr> <td>Maximum medium temperature</td> <td>+ 285 °C</td> <td>+ 185 °C</td> <td>+ 125 °C</td> </tr> </tbody> </table>	Temperature class	T2	T3	T4	Permissible surface temperature	+ 300 °C	+ 200 °C	+ 135 °C	Ambient temperature	- 40...+ 130 °C	- 40...+ 130 °C	- 40...+ 100 °C	Maximum medium temperature	+ 285 °C	+ 185 °C	+ 125 °C
Temperature class	T2	T3	T4														
Permissible surface temperature	+ 300 °C	+ 200 °C	+ 135 °C														
Ambient temperature	- 40...+ 130 °C	- 40...+ 130 °C	- 40...+ 100 °C														
Maximum medium temperature	+ 285 °C	+ 185 °C	+ 125 °C														

2.5. Foods and beverages/Hygiene

Conformity	Description
FDA	<p>FDA – Code of Federal Regulations The diaphragms made of EPDM (AD), PTFE/EPDM (EA), Advanced PTFE/EPDM (EU) and laminate of GYLON® and EPDM (ER) comply with the Code of Federal Regulations published by the FDA (Food and Drug Administration, USA).</p>
USP	<p>United States Pharmacopeial Convention (USP) The diaphragms made of EPDM (AD), PTFE/EPDM (EA), Advanced PTFE/EPDM (EU) and laminate of GYLON® and EPDM (ER) are tested according to USP Class VI.</p>
	<p>EC Regulation 1935/2004 of the European Parliament and of the Council The diaphragms made of EPDM (AD), PTFE/EPDM (EA), Advanced PTFE/EPDM (EU) and laminate of GYLON® and EPDM (ER) are suitable for use with food and beverages (according to EC Regulation 1935/2004/EC).</p>

2.6. Others

Conformity	Description
TA Luft	Technical instruction on air quality control (valid for the variable code PM01)

DTS 1000450610 EN Version: F Status: RL (released | freigegeben | validé) printed: 18.12.2024

3. Materials

3.1. Bürkert resistApp



Bürkert resistApp – Chemical resistance chart

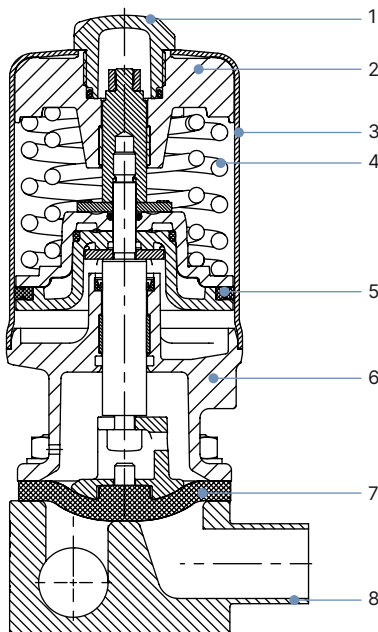
You want to ensure the reliability and durability of the materials in your individual application case? Verify your combination of media and materials on our website or in our resistApp.

[Start chemical resistance check](#)

3.2. Material specifications

Note:

The exemplary representation may differ from the actual product.



No.	Element	Material
1	Transparent cap	Polysulfone PSU
2	Spring support	Stainless steel 1.4308
3	Spring	EN10270 - 2 FDSiCr
4	Actuator cover	Stainless steel 1.4404 (316L)
5	Piston seal	FKM
6	Actuator base (diaphragm socket)	Stainless steel 1.4308
7	Diaphragm	EPDM (AD), PTFE/EPDM (EA), Advanced PTFE/EPDM (EU), laminate of GYLON® and EPDM (ER)
8	Valve body	See "1. General technical data" on page 3

3.3. Example of available membrane materials

The diaphragms have been developed to meet the unique challenges of hygienic and sterile requirements. Bürkert offers diaphragms with precise material composition and high accuracy. Bürkert diaphragms are available in a wide range of materials which have been tested and proven in applications in the food and beverage, biotechnology, pharmaceutical and cosmetics industries. The diaphragms are tested during development and production to ensure reliability under difficult process conditions.



- EPDM (AD)
- PTFE/EPDM (EA)
- Advanced PTFE/EPDM (EU)
- Laminate of GYLON® and EPDM (ER)

For further information please refer to our flyer "Diaphragm competence for hygienic applications" on our [website](#) ▶.

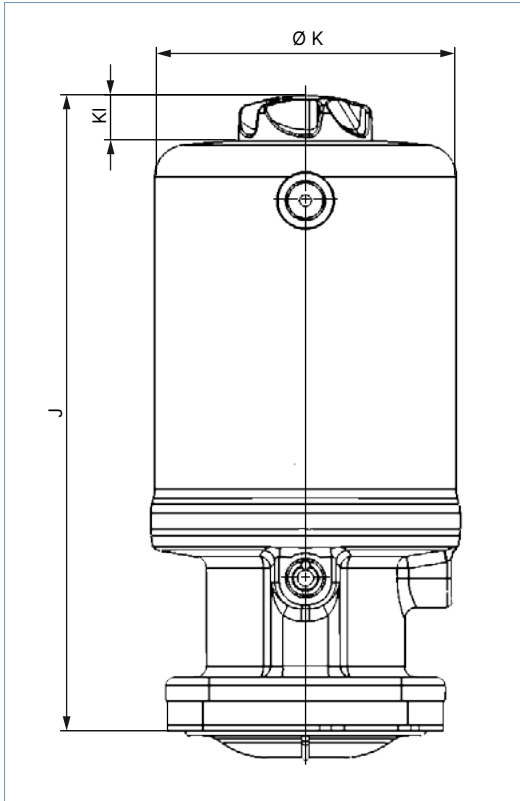
4. Dimensions

4.1. Actuator

INOX actuator

Note:

Dimensions in mm, unless otherwise stated

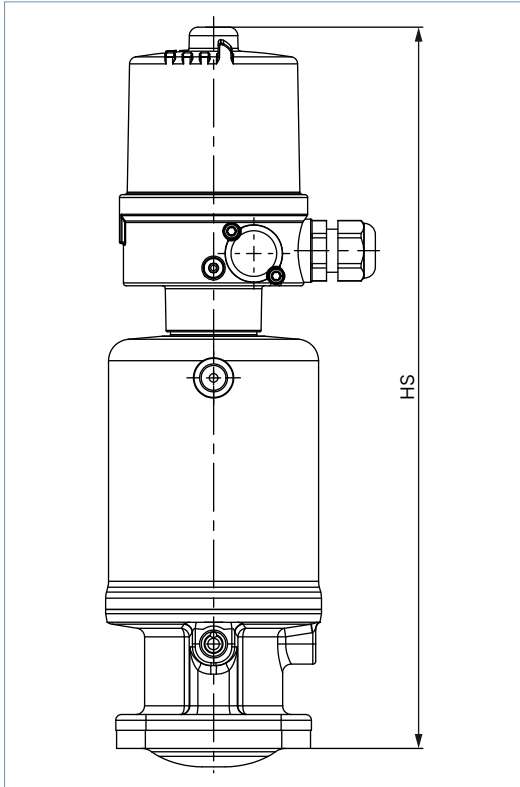


Diaphragm size	Actuator size	J	$\varnothing K$	KI
15	50 (D)	130	55	11
	70 (M)	139	75	11
20	70 (M)	148	75	11
	70 (M)	155	75	11
25	90 (N)	182	96	14
	90 (N)	192	96	14
40	130 (P)	244	137	14
	130 (P)	250	137	14

INOX actuator with control Type 8697

Note:

Dimensions in mm, unless otherwise stated

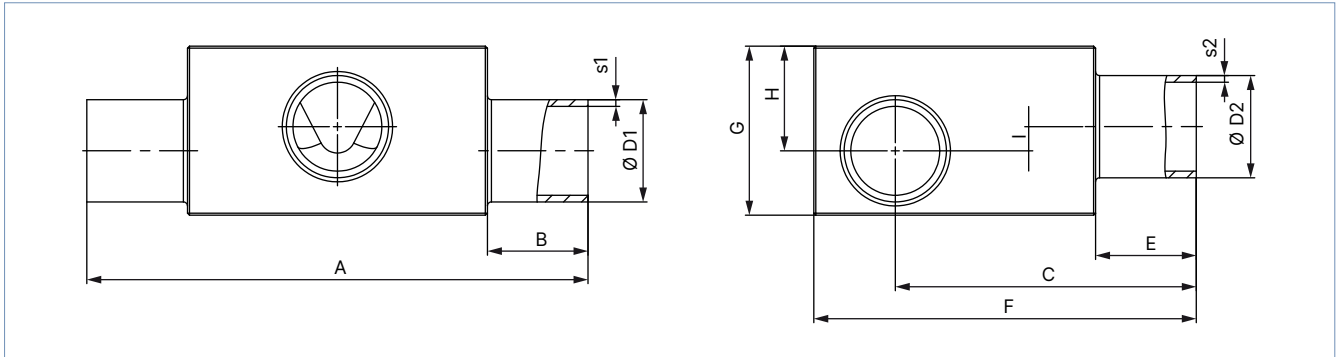


Diaphragm size	Actuator size	HS
15	50 (D)	236.9
	70 (M)	245.9
20	70 (M)	254.9
	90 (N)	288.9
25	70 (M)	261.9
	90 (N)	298.9
40	90 (N)	298.9
	130 (P)	350.9
50	130 (P)	356.9

4.2. T-Body with welded connection

Note:

Dimensions in mm, unless otherwise stated



Diaphragm size	Port 1 – Port 2 DN	ØD1	s1	ØD2	s2	A	B	C	E	F	G	H	I	Product key ¹⁾		
DIN EN ISO 1127 / ISO 4200 / DIN 11866 series B																
8	8...8	13.5	1.6	13.5	1.6	93	20	52.05	20	70	27	17	4.5	SA40-SA40		
	10...8	17.2		13.5		93		53.9		70	31	18	4.5	SA41-SA40		
	10...10	17.2		17.2		93		54.9		70	28	16	2.5	SA41-SA41		
	15...8	21.3		13.5		93		57		71	34.5	21	7.5	SA42-SA40		
	15...15	21.3		21.3		93		56		71	35	21	6.5	SA42-SA41		
	20...8	26.9		13.5		103		25		59.8	76	41	25	11.5	SA43-SA40	
	20...10	26.9		17.2		103				59.8	78	42	25	11.5	SA43-SA41	
	20...15	26.9		21.3		103				59.8	78	42	25	11.5	SA44-SA40	
	25...10	33.7		2.0		17.2				103	63	83	48	28	14.5	SA44-SA41
	25...15	33.7				21.3				103	62.8	83	47	28	14.5	SA45-SA40
	32...8	42.4	13.5		103	67.1	91		56	32	18.5	SA45-SA41				
	32...10	42.4	17.2		103	67.1	91		56	32	18.5	SA46-SA40				
	32...15	42.4	21.3		103	67.1	91		56	32	18.5	SA46-SA41				
	40...8	48.3	13.5		103	70.1	97		63	35	21.5	SA47-SA40				
	40...10	48.3	17.2		103	70.1	97		63	35	21.5	SA47-SA41				
	40...15	48.3	21.3		103	70.1	97	63	35	21.5	SA48-SA40					
	50...8	60.3	13.5		113	30	76.1	109	72	38	24.5	SA49-SA40				
	50...10	60.3	17.2		113		76.1	109	72	38	24.5	SA49-SA41				
	50...15	60.3	21.3	113	76.1		109	72	38	24.5	SA40-SA40					
	65...8	76.1	13.5	113	84		125	85	44	30.5	SA41-SA40					
	65...15	76.1	21.3	113	84		125	85	44	30.5	SA41-SA41					
	80...8	88.9	2.3	13.5	113		90.1	140	99	52	38.5	SA42-SA40				
	80...10	88.9		17.2	113		90.1	137	94	47	33.5	SA42-SA42				
	80...15	88.9		21.3	113		90.1	137	94	47	33.5	SA43-SA40				
	100...15	114.3		21.3	113		102.8	163	120	60	46.5	SA43-SA41				

DTS 1000450610 EN Version: F Status: RL (released | freigegeben | valide) printed: 18.12.2024

DTS 1000450610 EN Version: F Status: RL (released | freigegeben | valide) printed: 18.12.2024

Diaphragm size	Port 1 – Port 2 DN	ØD1	s1	ØD2	s2	A	B	C	E	F	G	H	I	Product key ¹⁾				
15	8...8	13.5	1.6	13.5	1.6	93.0	20	52.05	20	70	27	17	4.5	SA40-SA40				
	10...8	17.2		13.5		93.0		53.9		70	31	18	4.5	SA41-SA40				
	10...10	17.2		17.2		93.0		54.9		70	28	16	2.5	SA41-SA41				
	15...8	21.3		13.5		93.0		57		71	34.5	21	7.5	SA42-SA40				
	15...15	21.3		21.3		93.0		56		71	35	21	6.5	SA42-SA42				
	20...8	26.9		13.5		103.0		25		59.8	76	41	25	11.5	SA43-SA40			
	20...10	26.9		17.2		103.0				59.8	78	42	25	11.5	SA43-SA41			
	20...15	26.9		21.3		103.0				59.8	78	42	25	11.5	SA43-SA42			
	25...10	33.7		2.0		17.2		1.6		103.0	25	63	20	83	48	28	14.5	SA44-SA41
	25...15	33.7				21.3				103.0		62.8		83	47	28	14.5	SA44-SA42
	32...8	42.4	13.5		103.0	67.1	91		56	32		18.5		SA45-SA40				
	32...10	42.4	17.2		103.0	67.1	91		56	32		18.5		SA45-SA41				
	32...15	42.4	21.3		103.0	67.1	91		56	32		18.5		SA45-SA42				
	40...8	48.3	13.5		103.0	70.1	97		63	35		21.5		SA46-SA40				
	40...10	48.3	17.2		103.0	70.1	97		63	35		21.5		SA46-SA41				
	40...15	48.3	21.3		103.0	70.1	97		63	35		21.5		SA46-SA42				
	50...8	60.3	13.5		113.0	30	76.1		109	72		38		24.5	SA47-SA40			
	50...10	60.3	17.2		113.0		76.1		109	72		38		24.5	SA47-SA41			
	50...15	60.3	21.3	113.0	76.1		109	72	38	24.5	SA47-SA42							
	65...8	76.1	13.5	113.0	2.3	84	125	85	44	30.5	SA48-SA40							
	65...15	76.1	21.3	113.0		84	125	85	44	30.5	SA48-SA42							
	80...8	88.9	13.5	113.0		30	90.1	20	140	99	52	38.5	SA49-SA40					
	80...10	88.9	17.2	113.0			90.1		137	94	47	33.5	SA49-SA41					
	80...15	88.9	21.3	113.0			90.1		137	94	47	33.5	SA49-SA42					
	100...15	114.3	21.3	113.0			102.8		163	120	60	46.5	SA39-SA42					
	20	20...20	26.9	1.6		26.9	1.6	114.0	25	70.3	25	87	40	24	6.0	SA43-SA43		
		25...20	33.7	2.0		26.9		114.0		73.3		94	48	28	10.0	SA44-SA43		
		32...20	42.4	26.9		114.0		78.6		102		57	33	15.0	SA45-SA43			
		40...20	48.3	26.9		114.0		80.6		108		63	35	17.0	SA46-SA43			
		50...20	60.3	26.9	124.0	30		87	120.8	72	39	21.0	SA47-SA43					
65...20		76.1	26.9	124.0	94.5			136	86	45	27.0	SA48-SA43						
80...20		88.9	2.3	124.0	100.6			148	94	47	29.0	SA49-SA43						
100...20		114.3	26.9	124.0	113.3			173	120	60	42.0	SA39-SA43						
25	25...25	33.7	2.0	33.7	2.0	124.5	25	78.6	25	98	53	33	13.0	SA44-SA44				
	32...25	42.4		33.7		124.5		82.9		107	62	38	18.0	SA45-SA44				
	40...25	48.3		33.7		124.5		85.9		114	69	41	21.0	SA46-SA44				
	50...25	60.3		33.7		134.5		30		81.9	125	78	45	25.0	SA47-SA44			
	65...25	76.1	33.7	134.5	99.8	142	94		52	32.0	SA48-SA44							
	80...25	88.9	2.3	134.5	105.9	153	101		54	34.0	SA49-SA44							
	150...25	168.3	2.6	134.5	145.3	232	174		87	67.0	SA69-SA44							
	40	32...32	42.4	2.0	42.4	2.0	152.0	25	98.00	25	122	62	38	9.4	SA45-SA45			
40...32		48.3	42.4		152.0		100		128		68	41	12.4	SA46-SA45				
40...40		48.3	48.3		152.0		100		128		68	41	12.4	SA46-SA46				
50...32		60.3	42.4		162.0		30		106		140	82	48	19.4	SA47-SA45			
50...40		60.3	48.3		162.0				106		140	82	48	19.4	SA47-SA46			
65...40		76.1	48.3		162.0				113.9		155	97	55	26.4	SA48-SA46			
80...32		88.9	2.3	42.4	162.0	120		168	108	60	31.4	SA49-SA45						
80...40		88.9		48.3	162.0	120	168	108	60	31.4	SA49-SA46							
100...32		114.3		42.4	162.0	132.7	193	129	68	39.4	SA39-SA45							
100...40		114.3		48.3	162.0	132.7	193	129	68	39.4	SA39-SA46							
50	50...50	60.3	2.0	60.3	2.0	188.0	30	120.2	30	154	82	48	12.5	SA47-SA47				
	65...50	76.1		60.3		188.0		128.1		170	100	56	20.5	SA48-SA47				
	80...50	88.9	2.3	60.3	188.0	134.2	183	110	61	25.5	SA49-SA47							
	100...50	114.3		60.3	188.0	146.9	208	131	70	34.5	SA39-SA47							
	150...50	168.3		2.6	60.3	188.0	173.6	261	176	88	52.5	SA69-SA47						

Diaphragm size	Port 1 – Port 2 DN	ØD1	s1	ØD2	s2	A	B	C	E	F	G	H	I	Product key ¹⁾
DIN 11850 - 2 / DIN 11866 series A / DIN EN 10357 series A														
8	10...10	13.0	1.5	13.0	1.5	78.0	20	47.0	20	60	24	15	5.0	SD40-SD40
	20...10	23.0		13.0		88.0	25	52.0		66	36	22	12.0	SD43-SD40
15	15...15	19.0	1.5	19.0	1.5	93.0	20	55.9	20	70	33	20	6.5	SD42-SD42
	20...15	23.0		19.0		103.0	25	57.9		72	37	22.5	9	SD43-SD42
	25...15	29.0		19.0		103.0		60.9		78	43	26	12.5	SD44-SD42
	32...15	35.0		19.0		103.0		63.9		84	49	29	15.5	SD45-SD42
	40...15	41.0		19.0		103.0		66.9		91	56	31	17.5	SD46-SD42
	50...15	53.0		19.0		113.0		72.9		102	65	36	22.5	SD47-SD42
20	20...20	23.0	1.5	23.0	1.5	114.0	25	68.7	25	85	36	21	-	SD43-SD43
	32...20	35.0		23.0		114.0	74.4	95		50	29	11.0	SD45-SD43	
	40...20	41.0		23.0		114.0	77.4	101		56	32	14.0	SD46-SD43	
25	25...25	29.0	1.5	29.0	1.5	124.5	25	76.7	25	98	48	30	10.0	SD44-SD44
	40...25	41.0		29.0		124.5	82.7	106		61	38	18.0	SD46-SD44	
	50...25	53.0		29.0		134.5	88.7	120		73	44	24.0	SD47-SD44	
40	32...32	35.0	1.5	35.0	1.5	152.0	25	95	25	119	52	32	9	SD45-SD45
	40...40	41.0		41.0		152.0	97.3	121		62	37	8.4	SD46-SD46	
	50...40	53.0		41.0		162.0	102.8	133		75	45	16.4	SD47-SD46	
50	50...50	53.0	1.5	53.0	1.5	188.0	30	117.0	30	147	74	44	8.5	SD47-SD47
ASME BPE / DIN 11866 series C														
8	20...8	19.05	1.65	6.35	0.89	88.0	25	49.90	20	61	32	20	10.0	SA93-SA90
	25...10	25.40		9.53		88.0	25	53.00		68	38	23	13.0	SODF-SA91
	40...8	38.10		6.35		88.0	25	59.40		80	49	28	18.0	SODH-SA90
	50...8	50.80		6.35		98.0	30	65.80		93	59	32	22.0	SODI-SA90
	65...8	63.50		6.35		98.0	30	72.10		106	70	36	26.0	SODJ-SA90
15	15...15	12.70	1.65	12.70	1.65	93.0	20	53.20	20	70	27	13.5	-	SA92-SA92
	20...15	19.05		12.70		103.0	55.80	70		31	18.5	5.0	SA93-SA92	
	25...15	25.40		12.70		103.0	59.00	75		40	24	10.5	SODF-SA92	
	40...15	38.10		12.70		103.0	65.30	88		54	31	17.5	SODH-SA92	
	50...15	50.80		12.70		113.0	71.70	100		64	35	21.5	SODI-SA92	
	65...15	63.50		12.70		113.0	78.00	113		73	38	24.5	SODJ-SA92	
	80...15	76.20		12.70		113.0	84.40	125		84	43	29.5	SODK-SA92	
20	20...20	19.05	1.65	19.05	1.65	114	25	66.30	25	85	36	18	-	SA93-SA93
	25...20	25.40		19.05		114	69.20	88		40	24	6.0	SODF-SA93	
	40...20	38.10		19.05		114	75.80	98		53	31	13.0	SODH-SA93	
	50...20	50.80		19.05		124	82.20	111		66	37	19.0	SODI-SA93	
	65...20	63.50		19.05		124	88.50	123		75	40	22.0	SODJ-SA93	
	80...20	76.20		19.05		124	94.90	136		85	44	26.0	SODK-SA93	
	100...20	101.60		2.11		19.05	124	107.10		161	108	54	36.0	SODL-SA93
25	25...25	25.40	1.65	25.40	1.65	124.5	25	74.8	25	95	42	26	6.0	SODF-SODF
	40...25	38.10		25.40		124.5	81.1	103		58	36	16.0	SODH-SODF	
	50...25	50.80		25.40		134.5	87.5	120		75	44	24.0	SODI-SODF	
	65...25	63.50		25.40		134.5	93.8	129		82	47	27.0	SODJ-SODF	
	80...25	76.20		25.40		134.5	100.15	142		94	52	32.0	SODK-SODF	
40	40...40	38.10	1.65	38.10	1.65	152.0	25	99.60	25	121	58	35	6.4	SODH-SODH
	50...40	50.80		38.10		162.0	101.6	131		72	43	14.4	SODI-SODH	
	65...40	63.50		38.10		162.0	107.90	143		85	50	21.4	SODJ-SODH	
	80...40	76.20		38.10		162.0	114.3	156		98	56	27.4	SODK-SODH	
50	50...50	50.80	1.65	50.80	1.65	188.0	30	115.8	30	145	71	42	6.5	SODI-SODI
	65...50	63.50		50.80		188.0	122.10	157		85	50	14.5	SODJ-SODI	
	65...65	63.50		63.50		188.0	122.10	158		86	50	14.5	SODJ-SODJ	
	80...50	76.20		50.80		188.0	128.5	169		98	56	20.5	SODK-SODI	
	100...65	101.60		2.11		63.50	188.0	140.7		195	120	66	30.5	SODL-SODJ

DTS 1000450610 EN Version: F Status: RL (released | freigegeben | valide) printed: 18.12.2024

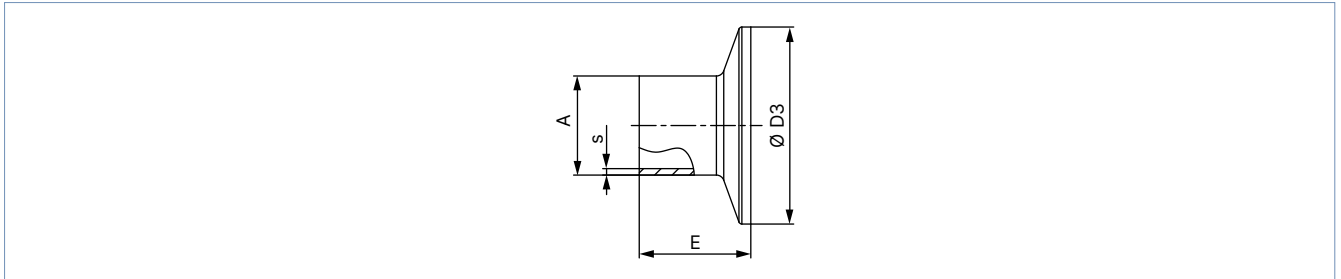
Diaphragm size	Port 1 – Port 2 DN	ØD1	s1	ØD2	s2	A	B	C	E	F	G	H	I	Product key ¹⁾
SMS 3008														
25	25...25	25.0	1.2	25.0	1.2	124.5	25	75.0	25	95	43	27	7.0	SA60-SA60
	40...25	38.0		25.0		124.5		81.5		103	58	36	16.0	SA62-SA60
	50...25	51.0		25.0		134.5		30		88.0	118	72	42	22.0
40	40...40	38.0	1.2	38.0	1.2	152.0	25	95.6	25	121	58	35	6.4	SA62-SA62
	50...40	51.0		38.0		162.0		30		102.1	131	73	44	15.4
50	50...50	51.0	1.2	51.0	1.2	188.0	30	120.2	30	154	82	48	2.5	SA63-SA63
DIN 11850 - 0														
8	04...04	6.0	1.0	6.0	1.0	78.0	20	44.0	20	60	15	6.5	0.0	SC40-SC40
	06...06	8.0		8.0		75.0	17.5	46.5		60	13	7	0.0	SC41-SC41
	40...04	40.0	1.5	6.0	1.5	88.0	25	60.5	25	83	51	29	19.0	SC47-SC40
	40...8	40.0		10.0		88.0	60.5	83		51	29	19.0	SC47-SC42	
	50...04	52.0		6.0		98.0	30	66.5		95	60	32	22.0	SC48-SC40
15	50...15	52.0	1.5	18.0	1.5	113.0	30	72.4	20	101	65	36	22.5	SC48-SC43
25	25...25	28.0	1.5	28.0	1.5	124.5	25	76.2	25	95	46	29	9.0	SC45-SC45
	50...25	52.0		28.0		134.5	30	91.2		120	71	42	22.0	SC48-SC45
40	25...32	28.0	1.5	34.0	1.5	152.0	25	90.3	25	122	58	32	3.4	SC45-SC46
	50...32	52.0		34.0		162.0	30	102.3		132	75	45	16.4	SC48-SC46
50	50...50	52.0	1.5	52.0	1.5	188.0	30	116.5	30	147	73	43	7.5	SC48-SC48

1.) This information is part of the product key (see "8.3. Bürkert Product Enquiry Form" on page 15).

4.3. T-Body with clamp connection

Note:

- Dimensions in mm, unless otherwise stated
- The clamp dimensions must be added to the welded connection dimensions.



Port connection		A	s	D3	E	Product key ¹⁾
[mm]	[inch]					
DIN 32676 series A (DIN pipe)						
10	-	13	1.5	34.0	18	TD41
15	-	19	1.5	34.0	18	TD42
20	-	23	1.5	34.0	18	TD43
25	-	29	1.5	50.5	21.5	TD44
32	-	35	1.5	50.5	21.5	TD45
40	-	41	1.5	50.5	21.5	TD46
50	-	53	1.5	64.0	21.5	TD47
DIN 32676 series B (ISO pipe)						
8	-	13.5	1.6	25.0	28.6	TC40
8	-	13.5	1.6	34.0 ^{2.)}	28.6	TC51 ^{2.)}
10	-	17.2	1.6	34.0 ^{2.)}	28.6	TC41 ^{2.)}
15	-	21.3	1.6	34.0 ^{2.)}	28.6	TC42 ^{2.)}
15	-	21.3	1.6	50.5	28.6	TC52
20	-	26.9	1.6	50.5	28.6	TC43
25	-	33.7	2	50.5	28.6	TC44
32	-	42.4	2	50.5 ^{2.)}	28.6	TC45 ^{2.)}
40	-	48.3	2	64.0	28.6	TC46
50	-	60.3	2	77.5	28.6	TC47
ASME BPE						
8	1/4"	6.35	0.89	25.0	28.6	TG50
10	3/8"	9.53	0.89	25.0	28.6	TG01
15	1/2"	12.7	1.65	25.0	28.6	TG02
20	3/4"	19.05	1.65	25.0	28.6	TG03
25	1"	25.4	1.65	50.5	28.6	TG04
40	1 1/2"	38.1	1.65	50.5	28.6	TG05
50	2"	50.8	1.65	64.0	28.6	TG06

1.) This information is part of the product key (see "8.3. Bürkert Product Enquiry Form" on page 15).

2.) Deviating from standard because of a different outer clamp diameter

5. Performance specifications

5.1. Medium pressure

Information for control function A

Note:

- For low operating pressures, optional variants with reduced spring force are recommended.
- Pressure data [bar]: Overpressure to atmospheric pressure. The valve closes dynamically against maximum operating pressure.
- Information for control function B and I is available on request.

Diaphragm size	Actuator size Ø	Pilot pressure	Maximum operating pressure for seal material	
			EPDM, FKM	PTFE/EPDM, advanced PTFE/EPDM, laminate of GYLON® and EPDM
DN	[mm]	[bar]	[bar]	[bar]
8	32 (B)	5.5...10.5	10	6
15	50 (D)	5.0...10.5	8.5	5
	70 (M)		10	10
20	70 (M)	5.0...10.5	10	10
25	70 (M)	5.0...10.5	6.5	4.5
	90 (N)		10	8
32	90 (N)	5...10.5	8	6
40	90 (N) ¹⁾	5.5...10	5.5	5
	130 (P)		10	10
50	130 (P)	5.0...7.5	8	7

1.) The Gylon variant is not available.

6. Product accessories

Note:

Further position feedbacks can be found on our [website](#) ▶.

Electric position feedback indicator	
Type 8697 ▶ Actuator size Ø 50...130 mm	
	<p>The position feedback Type 8697 is designed for integrated mounting on CLASSIC series 20XX process valves, suiting the requirements of hygienic process environments. Mechanical or inductive limit switches register the position of the valve.</p> <p>Features</p> <ul style="list-style-type: none"> • Compact design • LED position indicator • Mechanical or inductive limit switches for end position registering • Easy-to-clean clean chemically resistant housing featuring IP65/IP67, 4X Rating • Optionally intrinsically safe variant according to IECEx <p>Customer benefits</p> <ul style="list-style-type: none"> • Easy and quick installation • High level of signal reliability thanks to self-adjusting limit switches • Minimised space requirement in the plant piping for more flexibility in plant design

DTS 1000450610 EN Version: F Status: RL (released | freigegeben | validé) printed: 18.12.2024

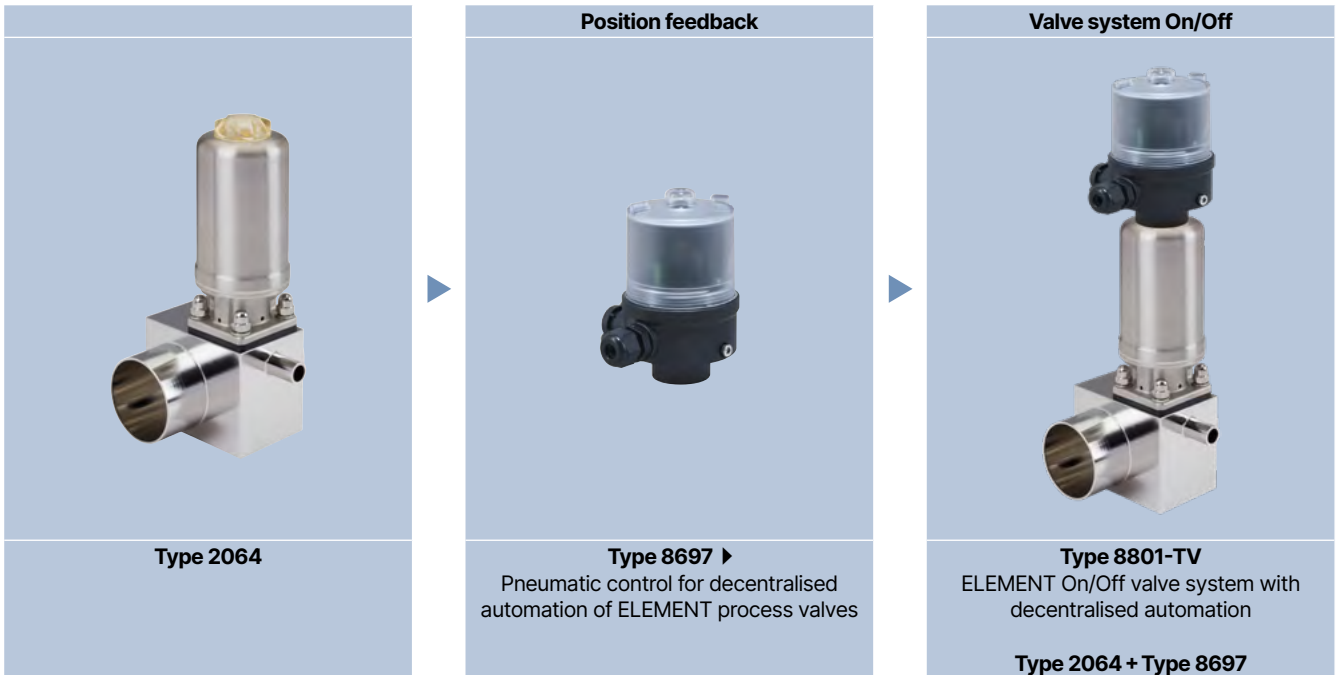
7. Networking and combination with other Bürkert products

Note:

The **On/Off valve system** with **stainless steel actuator Type 8801-TV** consists of a **diaphragm valve Type 2064** and an **electrical position feedback Type 8697**.

You order two components and receive a completely assembled and tested valve.

Example:



DTS 1000450610 EN Version: F Status: RL (released | freigegeben | validé) printed: 18.12.2024

8. Ordering information

8.1. Bürkert eShop



Bürkert eShop – Easy ordering and quick delivery

You want to find your desired Bürkert product or spare part quickly and order directly? Our online shop is available for you 24/7. Sign up and enjoy all the benefits.

[Order online now](#)

8.2. Bürkert product filter



Bürkert product filter – Get quickly to the right product

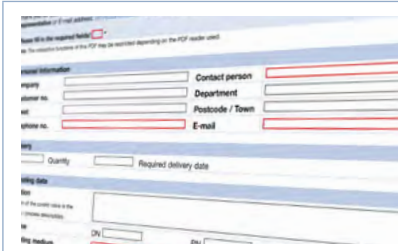
You want to select products comfortably based on your technical requirements? Use the Bürkert product filter and find suitable articles for your application quickly and easily.

[Try out our product filter](#)

8.3. Bürkert Product Enquiry Form

Note:

Please see our Product Enquiry Form for a full explanation of our specification key.



Bürkert Product Enquiry Form – Your enquiry quickly and compactly

Would you like to make a specific product enquiry based on your technical requirements? Use our Product Enquiry Form for this purpose. There you will find all the relevant information for your Bürkert contact. This will enable us to provide you with the best possible advice.

[Fill out the form now](#)