



Primary clocked power supply unit

- Stabilised and adjustable output voltage
- Switchable in parallel
- Push-in connection technology
- Standard rail installation
- DC OK signalling



Product variants described in the data sheet may differ from the product presentation and description.

Can be combined with

- | | |
|---|---|
|  | Type 8741 ▶
Mass flow controller (MFC)/
mass flowmeter (MFM) for
gases |
|  | Type 8905 ▶
Online water analysis system |
|  | Type 8640 ▶
Modular valve island for
pneumatics |
|  | Type 8644 ▶
AirLINE SP electropneumatic
automation system |
|  | Type 8619 ▶
multiCELL – multi-channel/
multi-function transmitter/
controller |

Type description

Efficient, primary clocked power supply unit in a slimline plastic valve body. Strength and flexibility terms of application, but nevertheless light and compact. The power supply units are suitable for a wide range of applications in measurement and control technology as well as in industrial and building automation. The output voltage is easily set using the rotary potentiometer on the front of the body. The DIN rail mounting and push-in terminal blocks enable fast and secure installation.

Table of contents

1. General technical data	3
1.1. Single phase primary switched power supply Typ 1573	3
1.2. Technical data for Article no. 772361, 772362, 772898 and 772698.....	4
2. Dimensions	5
2.1. Power supply unit for standard rail.....	5
Type 1573, 100...240 V AC/24 V DC, 1 A, NEC Class 2 (UL 1310), Article no. 772361.....	5
Type 1573, 100...240 V AC/24 V DC, 2 A, NEC Class 2 (UL 1310), Article no. 772362	5
Type 1573, 100...240 V AC/24 V DC, 10 A, Article no. 772698	6
Type 1573, 100...240 V AC/24 V DC, 3.8 A, NEC Class 2 (UL 60950 - 1), Article no. 772898.....	6
3. Device/Process connections	7
3.1. Assignment	7
4. Product installation	7
4.1. Installation notes	7
4.2. Assembly instruction.....	7
5. Ordering information	8
5.1. Bürkert eShop	8
5.2. Bürkert product filter	8
5.3. Ordering chart	8

1. General technical data

1.1. Single phase primary switched power supply Typ 1573

Product properties	
Dimensions	Further information can be found in chapter "2. Dimensions" on page 5.
Signalling	
Signalling	$U_{out} > 21.5 \text{ V}$ "DC OK" (Green LED lights up continuously)
Connections for signalling	Push-in, maximum 2.5 mm ²
Transient surge voltage protection (varistor)	Yes
Parallel operation	Yes
Serial operation	Yes
Electrical data	
Input data	
Nominal input voltage	AC: 100...240 V
Input voltage range	85...264 V AC (120...372 V DC)
Frequency range	47 Hz...63 Hz/0 Hz
Inrush current limitation	< 30 A, NTC
Terminal input	Push-in, maximum 2.5 mm ²
Output data	
Nominal output voltage	24 V DC \pm 1%
Regenerative strength	Max. 35 V DC
Output connections	Push-in, maximum 2.5 mm ²
Approvals and conformities	
Directives ¹⁾	The object of the declaration is in conformity with the relevant Union harmonisation legislation. <ul style="list-style-type: none"> • 2014/35/EU • 2014/30/EU • 2011/65/EU
Standards ¹⁾	The following standards or technical specifications have been used for evaluation in accordance with the European directives. <ul style="list-style-type: none"> • EN IEC 61010 - 2 - 201 (Date of issue 2018) • EN 61558 - 2 - 16 + A1 (Date of issue 2009 + 2013) • EN 61204 - 3 (Date of issue 2000) • EN IEC 63000 (Date of issue 2018)
EMV	EN 61204 - 3
Mounting on standard rail	DIN EN 60715-TH35 - 15/7.5
Safety extra-low voltage (SELV/PELV)	IEC 60364 - 4 - 41 (DIN VDE 0100 - 410)
Environment and installation	
Storage temperature	- 25 °C... + 85 °C
Protection class	IP20 according to IEC 60529
Required minimum spacing (above/below)	50 mm
Convection cooling	Yes

1.) This declaration of conformity is issued under the sole responsibility of the manufacturer.

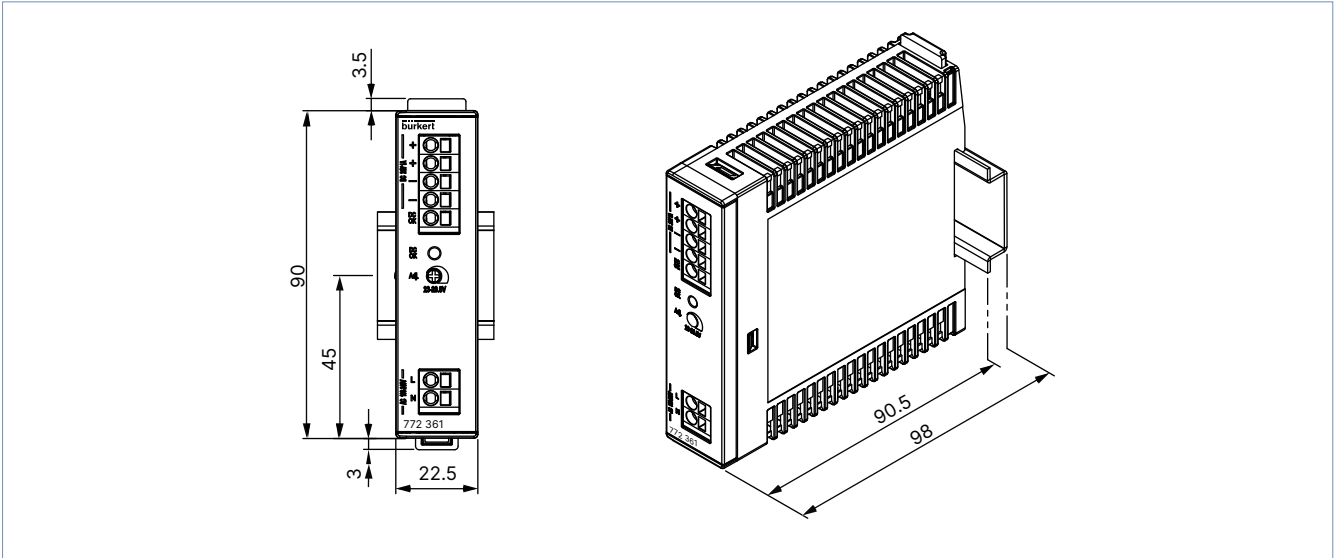
1.2. Technical data for Article no. 772361, 772362, 772898 and 772698

Product properties	772361	772362	772898	772698
Dimensions (W x H x D)	22.5 × 90 × 97.5 mm	45 × 90 × 97.5 mm	52 × 90 × 111 mm	55 × 127 × 161 mm
Weight	128 g	210 g	390 g	930 g
Signal contact DC OK (active high)	Maximum $U_{out} > 21.5$ V 20 mA @ 24 V DC	Maximum $U_{out} > 21.5$ V 20 mA @ 24 V DC	Maximum $U_{out} > 21.5$ V 20 mA @ 24 V DC	–
Signal output DC OK relay, contact closed	–	–	–	$U_{out} > 21.5$ maximum 30 V/1 A
Electrical data				
Input data				
Input voltage derating	– 2.5 %/Vac < 95 V AC	– 2.5 %/Vac < 95 V AC	– 2.5 %/Vac < 95 V AC	– 2.5 %/Vac < 100 V AC
Nominal input current (nominal load)	0.49 A (100 V AC)/ 0.28 A (240 V AC)	0.82 A (100 V AC)/ 0.48 A (240 V AC)	1.73 A (100 V AC)/ 0.95 A (240 V AC)	2.74 A (100 V AC)/ 1.25 A (230 V AC)
Turn-on time after applying the main voltage	2.3 s (100 V AC)/ 0.74 s (230 V AC)	0.5 s (100 V AC)/ 0.27 s (230 V AC)	0.5 s (100 V AC)/ 0.2 s (230 V AC)	1.3 s (100 V AC)/ 0.25 s (230 V AC)
Mains buffering (nominal load)	20/120 ms (100/230 V AC)	20/120 ms (100/230 V AC)	15/80 ms (100/230 V AC)	15/17 ms (100/230 V AC)
Recommended power circuit breaker (characteristic)	6 A, 10 A, 16 A (B, C)	6 A, 10 A, 16 A (B, C)	6 A, 10 A, 16 A (B, C)	10 A, 16 A (B, C)
Output data				
Output voltage range	23...28.5 V DC	23...28.5 V DC	23...28.5 V DC (> 24 V DC contant power)	23...28.5 V DC
Nominal output current	1 A	2 A	3.8 A	10 A
Output current limitation constant current	Typ. 1.25...1.4 A	Typ. 2.25...2.4 A	Typ. 3.8...3.2 A	Typ. 11...13 A
Power losses (Standby/nominal load)	< 1 W/4 W (230 V AC)	< 1 W/6 W (230 V AC)	< 2.8 W/14 W (230 V AC)	6.6 W/24.4 W (230 V AC)
Maximum power losses	5 W (100 V AC/24 V/1 A)	7 W (100 V AC/24 V/2 A)	20 W (100 V AC/91 W)	31.3 W (100 V AC/24 V/10 A)
Efficiency	Typ. 86 %	Typ. 89 %	Typ. 87 %	Typ. 91 %
Ripple/noise	Typ. 20 mV _{ss}	Typ. 20 mV _{ss}	Typ. 20 mV _{ss}	Typ. 50 mV _{ss}
Protection against internal surge voltage (OVP)	Maximum 39 V DC	Maximum 37 V DC	Maximum 40 V DC	Maximum 40 V DC
Approvals and conformities				
Protection class according to EN 61140	II	II	II	I
UL	UL 508 Listed	UL 508 Listed	UL 508 Listed	UL/CSA 60950 Recognized (E213214), UL 508 listed (E219022)
UL 60950 - 1	UL 60950 - 1 Recognized	UL 60950 - 1 Recognized	UL 60950 - 1 sRecognized	–
Class 2 output (UL Limited Power Source, LPS)	EN 60950 - 1	EN 60950 - 1	EN 60950 - 1, UL 1310	–
GL	GL (Germanischer Lloyd) classified, environment category: C, EMC 2			
Environment and installation				
Ambient temperature	– 25 °C to + 70 °C			
Derating	– 3 % K > + 50 °C	– 3 % K > + 50 °C	– 3 % K > + 50 °C	– 5 %/K > + 60 °C (196...264 V AC) – 2.5 %/K > + 50 °C (85...195 V AC)
Current rating at any mounting position	Maximum 0.7 A	Maximum 2.4 A	Maximum 2.4 A	–
Humidity (no condensation)	5...96 %	5...96 %	5...96 %	5...96 %

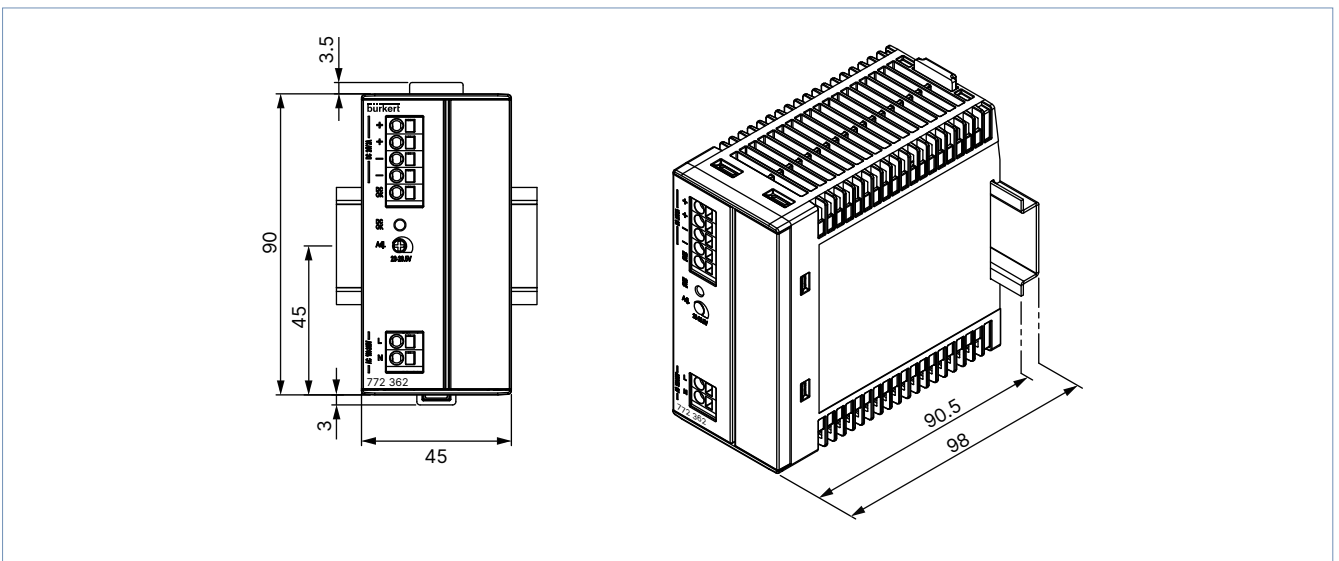
2. Dimensions

2.1. Power supply unit for standard rail

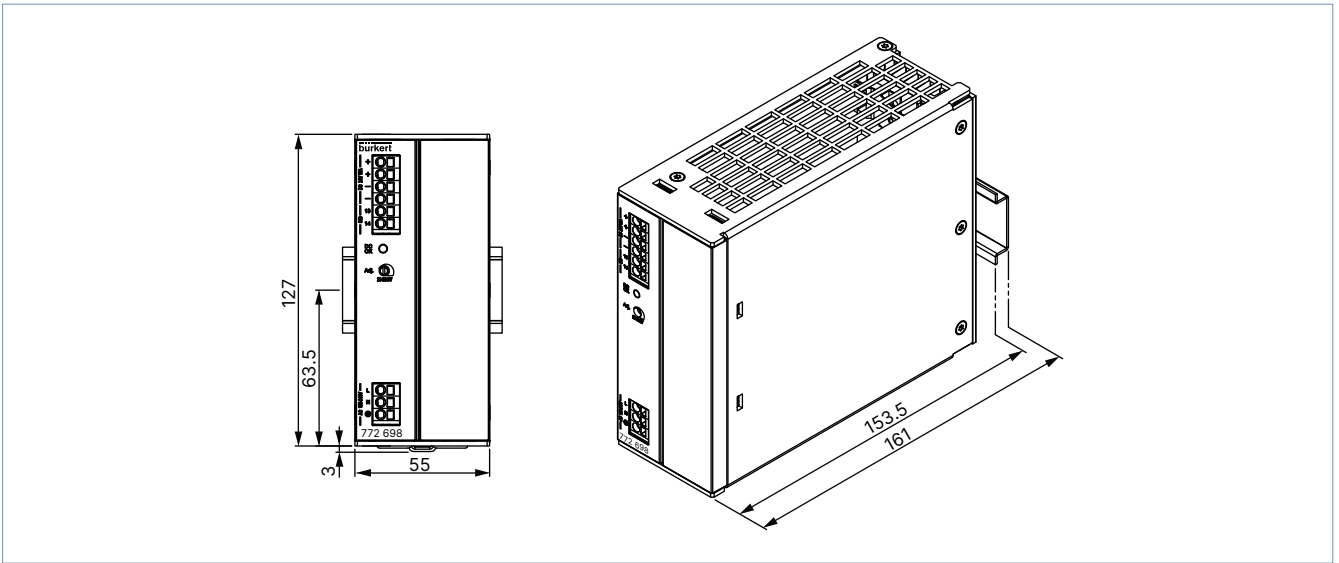
Type 1573, 100...240 V AC/24 V DC, 1 A, NEC Class 2 (UL 1310), Article no. 772361



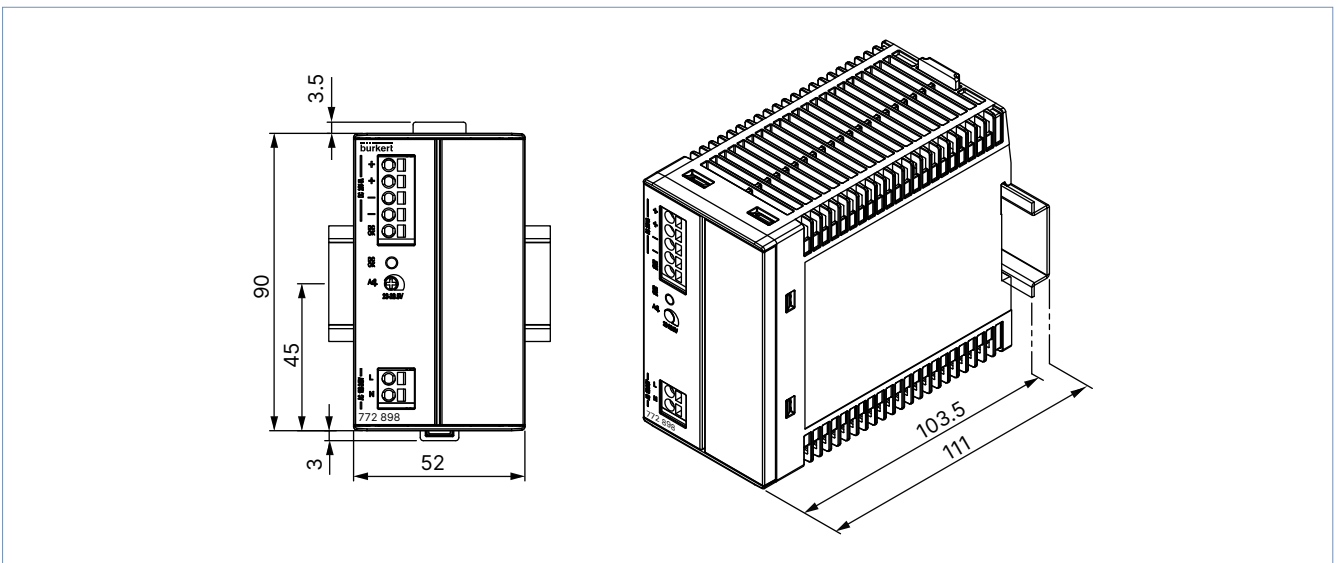
Type 1573, 100...240 V AC/24 V DC, 2 A, NEC Class 2 (UL 1310), Article no. 772362



Type 1573, 100...240 V AC/24 V DC, 10 A, Article no. 772698



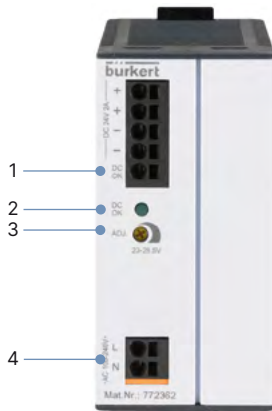
Type 1573, 100...240 V AC/24 V DC, 3.8 A, NEC Class 2 (UL 60950 - 1), Article no. 772898



DTS 1000252581 EN Version: K Status: RL (released | freigegeben | valide) printed: 18.12.2024

3. Device/Process connections

3.1. Assignment



No.	Element
1	DC outputs (++--) and active "DC OK" signal contact
2	LED signalling "DC OK"
3	Setting of output voltage
4	AC line input (L N) without earth ¹⁾

1.) AC line input (L N PE) for Article no. 772698

4. Product installation

4.1. Installation notes

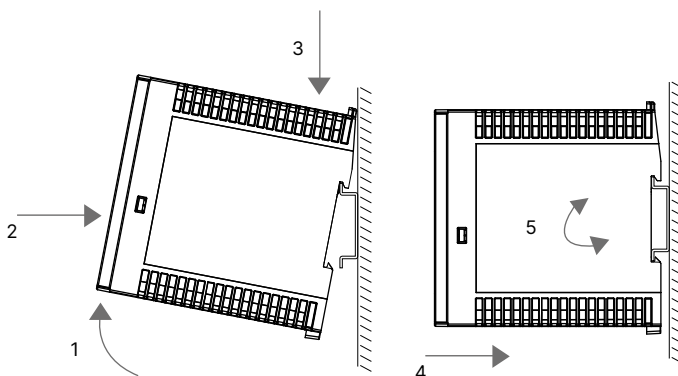
Note:

Always install and wire the equipment in a de-energised state.

Installation must be carried out according to the prevailing local conditions and safety regulations, national accident prevention regulations and the generally accepted rules of technology. This equipment is a component designed for installation into electrical systems and machines and fulfils the requirements of the low voltage guidelines (2006/95/EG).

The required minimum spacing to neighbouring components must be observed to guarantee the required cooling.

4.2. Assembly instruction



No.	Element
1	Turn the unit slightly upwards.
2	Place on standard rail.
3	Push it down until it hits the stop.
4	Press it down against the mounting level (click).
5	Shake the device slightly to check locking action.

5. Ordering information

5.1. Bürkert eShop



Bürkert eShop – Easy ordering and quick delivery

You want to find your desired Bürkert product or spare part quickly and order directly? Our online shop is available for you 24/7. Sign up and enjoy all the benefits.

[Order online now](#)

5.2. Bürkert product filter



Bürkert product filter – Get quickly to the right product

You want to select products comfortably based on your technical requirements? Use the Bürkert product filter and find suitable articles for your application quickly and easily.

[Try out our product filter](#)

5.3. Ordering chart

Power supply unit for standard rail (Type 1573)	Article no.
100...240 V AC/24 V DC, 1 A, NEC Class 2 (UL 1310)	772361
100...240 V AC/24 V DC, 2 A, NEC Class 2 (UL 1310)	772362
100...240 V AC/24 V DC, 3.8 A, NEC Class 2 (UL 60950 - 1)	772898
100...240 V AC/24 V DC, 10 A	772698

DTS 1000252581 EN Version: K Status: RL (released | freigegeben | validé) printed: 18.12.2024