



Timer, form A according to DIN EN 175301 - 803

- Digital variant with bright LED display
- Analogue version with LED illumination to indicate switching status
- Connection according to DIN EN 175301 - 803 (Form A)
- Degree of protection IP65 (NEMA4)



Product variants described in the data sheet may differ from the product presentation and description.

Can be combined with



Type 2518

Cable plug,
form A according to
DIN EN 175301 - 803



Table of contents

1. General technical data	3
2. Product versions	3
3. Approvals and conformities	4
3.1. General notes.....	4
3.2. Conformity	4
3.3. Standards.....	4
3.4. North America (USA/Canada)	4
3.5. Others	4
Fire protection on railway vehicles.....	4
4. Dimensions	5
4.1. Digital version.....	5
4.2. Analogue version	5
5. Product installation	6
6. Ordering information	6
6.1. Bürkert eShop.....	6
6.2. Bürkert product filter.....	6
6.3. Ordering chart.....	7
6.4. Ordering chart accessories.....	7
Cable plug Type 2518, form A according to DIN EN 175301 - 803	7

1. General technical data

Note:

Suitable for solenoid coils with max. 10 W (warm performance) and 100 % ED e.g. AC10, AC19 and all solenoid coils with electrical plug connection according to DIN EN 175301-803 Form A.

Product properties	Digital version	Analogue version
Dimensions	Further information can be found in chapter "4. Dimensions" on page 5.	
Material		
Housing	ABS plastic	ABS plastic
Timer PCB	SMT	SMT
Test function	Yes	Yes
Cycle display timer	LED display	LED
Performance data		
Timer cycle (on/off)	0.01 seconds up to 99 hours (ON) 0.01 seconds up to 99 hours (OFF)	0.5...10 seconds (ON) 0.5...45 minutes (OFF)
Electrical data		
Switching current	Max. 2.0 A Max. 1.0 A (cURus approved) 20 W	Max. 2.0 A Max. 1.0 A (cURus approved) 20 W
Voltage	10...48 V AC/DC 50/60 Hz 110...240 V AC/DC 50/60 Hz	10...30 V AC/DC 50/60 Hz 24...240 V AC/DC 50/60 Hz
Process/Port connection & communication		
Electrical connection	Plug contacts according to DIN EN 175 301 - 803 form A for cable plug Type 2518 ▶. Further information can be found in chapter "Cable plug Type 2518, form A according to DIN EN 175301 - 803" on page 7.	
Approvals and conformities		
Degree of protection	IP65 (NEMA 4)	IP65 (NEMA 4)
North America (USA/Canada)	Further information can be found in chapter "3.4. North America (USA/Canada)" on page 4.	
Others	Further information can be found in chapter "3.5. Others" on page 4.	
Environment and installation		
Ambient temperature	-40 °C...+55 °C (-40 °F...+131 °F)	-40 °C...+55 °C (-40 °F...+131 °F)

2. Product versions



DTS 1000391602 EN Version: F Status: RL (released | freigegeben | validé) printed: 24.05.2024

3. Approvals and conformities

3.1. General notes

- The approvals and conformities listed below must be stated when making enquiries. This is the only way to ensure that the product complies with all required specifications.
- Not all available versions can be supplied with the below mentioned approvals or conformities.


3.2. Conformity

In accordance with the Declaration of Conformity, the product is compliant with the EU Directives.

3.3. Standards

The applied standards which are used to demonstrate compliance with the EU Directives are listed in the EU-Type Examination Certificate and/or the EU Declaration of Conformity.

3.4. North America (USA/Canada)

Approval	Description
	<p>Optional: UL Recognized for the USA and Canada The products are UL Recognized for the USA and Canada according to:</p> <ul style="list-style-type: none"> • UL 60730 - 1 • UL 60730 - 2 - 7 • CSA E 60730 - 1:02 • CSA E 60730 - 2 - 7

3.5. Others

Fire protection on railway vehicles

Approval	Description
DIN EN 45545	<p>Optional: Fire protection on railway vehicles in accordance with DIN EN 45545 applicable parts 2 and 5: requirements for fire behaviour of materials and components The products comply with the fire protection requirements in accordance with applicable parts 2 and 5 of DIN EN 45545 for use in the interior of railway vehicles for operating classes 1 - 3 (OC1 - 3) in conjunction with hazard levels 1 - 2 (HL1 - 2) in accordance with the manufacturer's declaration.</p>

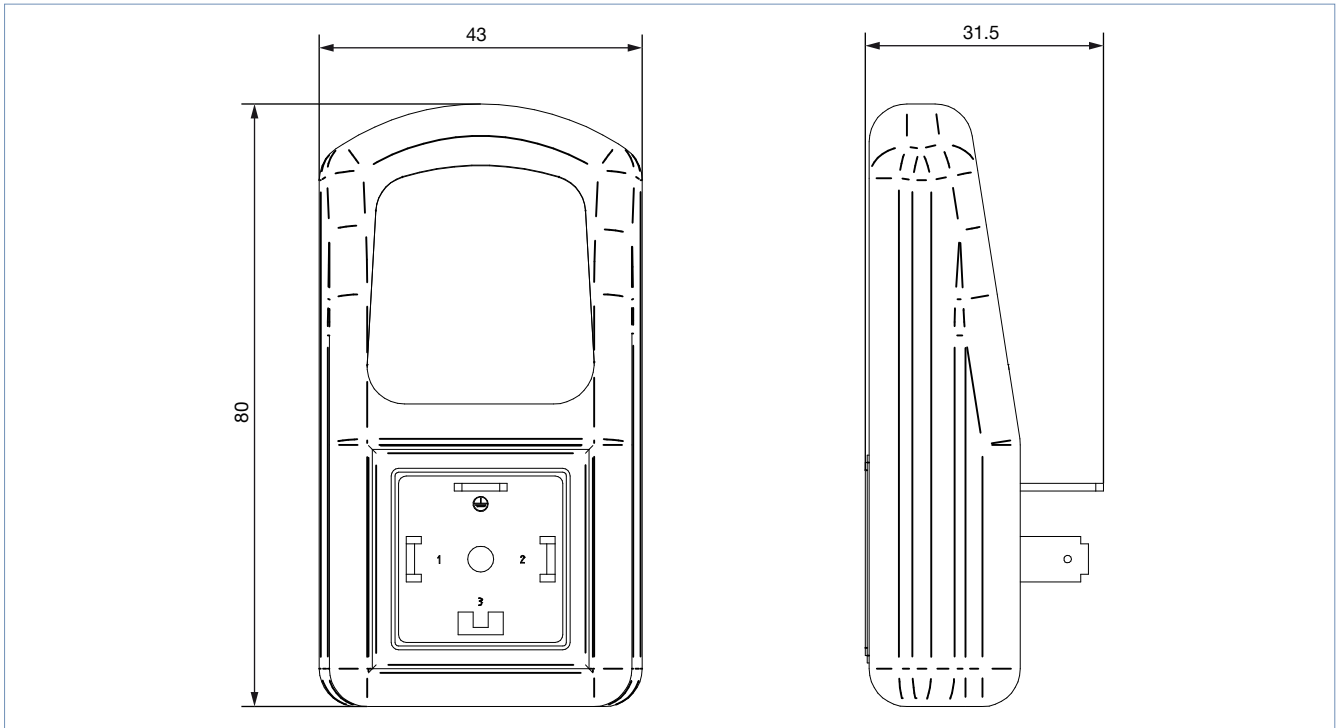
DTS 1000391602 EN Version: F Status: RL (released | freigegeben | validé) printed: 24.05.2024

4. Dimensions

4.1. Digital version

Note:

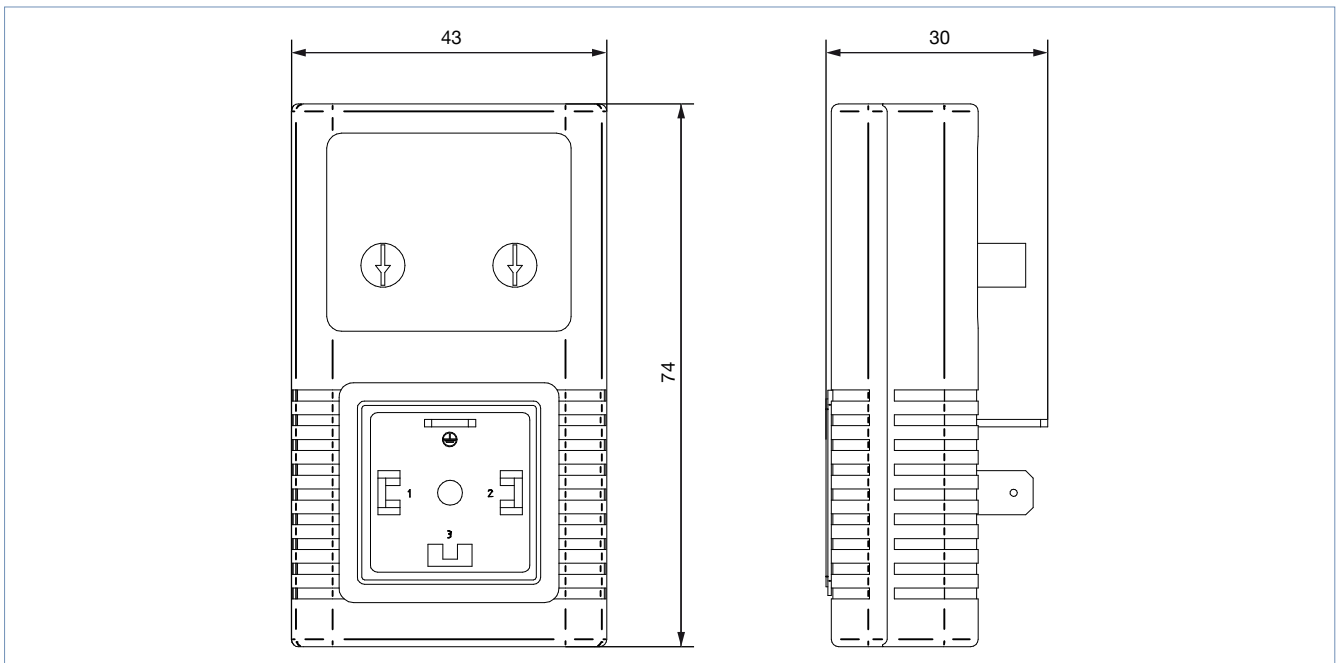
Dimensions in mm



4.2. Analogue version

Note:

Dimensions in mm



DTS 1000391602 EN Version: F Status: RL (released | freigegeben | validé) printed: 24.05.2024

5. Product installation



6. Ordering information

6.1. Bürkert eShop

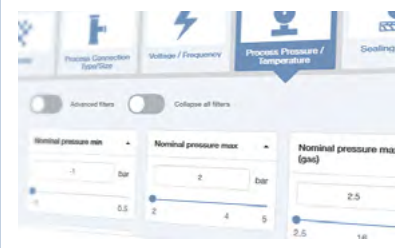


Bürkert eShop – Easy ordering and quick delivery

You want to find your desired Bürkert product or spare part quickly and order directly? Our online shop is available for you 24/7. Sign up and enjoy all the benefits.

[Order online now](#)

6.2. Bürkert product filter



Bürkert product filter – Get quickly to the right product

You want to select products comfortably based on your technical requirements? Use the Bürkert product filter and find suitable articles for your application quickly and easily.

[Try out our product filter](#)

6.3. Ordering chart

Timer	Approval	Product code	Voltage	Article no.
Analogue	–	1087-A-BCH-UC-28	10...30 V AC/DC	348828
Analogue	–	1087-A-BDK-UC-28	24...240 V AC/DC	348829
Digital	–	1087-A-BFW-UC-29	10...48 V AC/DC	348830
Digital	–	1087-A-BDX-UC-29	110...240 V AC/DC	348831
Analogue	cURus	1087-A-BCH-UC-28	10...30 V AC/DC	348906
Analogue	cURus	1087-A-BDK-UC-28	24...240 V AC/DC	348907
Digital	cURus	1087-A-BFW-UC-29	10...48 V AC/DC	348908
Digital	cURus	1087-A-BDX-UC-29	110...240 V AC/DC	348909

6.4. Ordering chart accessories

Cable plug Type 2518, form A according to DIN EN 175301 - 803

Note:

- Dimensions in mm
- For further versions see data sheet **Type 2518**

Cable plug	Dimensions	Version	Voltage	Article no.
		Without circuitry (AC/DC)	0...250 V AC/DC	314802
		With LED (AC/DC)	12...24 V AC/DC	314812
		With LED and varistor (AC/DC)	12...24 V AC/DC	314820
		With rectifier, LED and varistor	12...24 V AC/DC	314816
		Without circuitry (AC/DC) with silicone seal for higher ambient temperature, e.g. steam version (NA07)	0...250 V AC/DC	361687