



Electrical position feedback for pneumatically operated process valves

- Fast and easy installation
- Compact design



Product variants described in the data sheet may differ from the product presentation and description.

Type description

The electrical position feedback Type 1060 is designed for integrated mounting on CLASSIC Series process valves. Due to its simple and a very compact design, the position feedback can easily be mounted on a valve. Depending on the switch type of the electrical position feedback, the positions of the valve are reported electrically: open, closed.

Table of contents

| | |
|---|----------|
| 1. General technical data | 3 |
| 2. Dimensions | 4 |
| 3. Device/Process connections | 5 |
| 3.1. Electrical connection | 5 |
| 4. Product installation | 6 |
| 4.1. Electrical connection instructions | 6 |
| 5. Ordering information | 6 |
| 5.1. Bürkert eShop | 6 |
| 5.2. Bürkert product filter | 6 |

DTS 1000282018 EN Version: D Status: RL (released | freigegeben | validé) printed: 22.08.2024

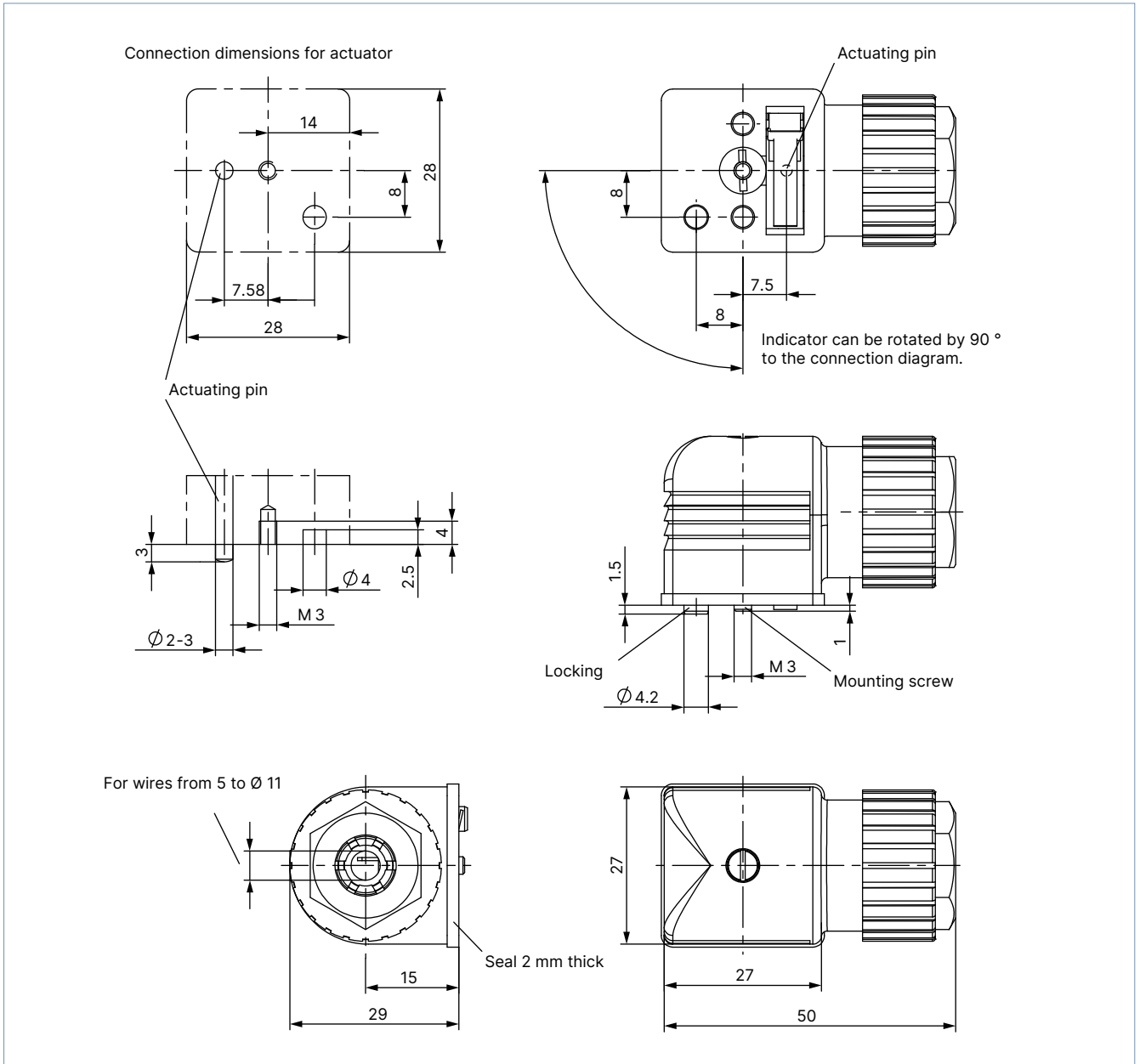
1. General technical data

| Product properties | |
|----------------------------------|---|
| Dimensions | Further information can be found in chapter "2. Dimensions" on page 4. |
| Material | |
| Housing | PA6 GF30 |
| Limit switch insert | PBT (Polybutylene terephthalate) |
| Operation | |
| Micro switch | 1 switch over contact |
| Application | Electrical feedback (alarm-, emergency-, off-, follow-circuits, etc.) for solenoid valves, diaphragm valves, piston valves, gate valves |
| Electrical data | |
| Contact rating | |
| Up to 250 V AC | Maximal ohmic contact load: 5 A Maximal inductive contact load: 5 A Maximal filament load: 0.5 A |
| Up to 250 V DC | Maximal ohmic contact load: 0.25 A Maximal inductive load: 0.02 A Maximal filament load: 0.02 A |
| Environment and installation | |
| Operating conditions | |
| Maximal continuous temperature | + 125 °C |
| Degree of protection | IP65 DIN 40050 with suitable counterpart piece |
| Installation and mechanical data | |
| Cable outlet | Adjustable by turning 4 × 90° |
| Connection | Solder connections |
| Fixing | With cylindrical screw M3 × 28 resp. M3 × 30 |
| Cable diameter | 5...9 mm |

2. Dimensions

Note:

Dimensions in mm



DTS 1000282018 EN Version: D Status: RL (released | freigegeben | validé) printed: 22.08.2024

3. Device/Process connections

3.1. Electrical connection

| Connection | Pin | Pin assignment |
|------------|-----|----------------|
| | 1 | Input |
| | 2 | Break contact |
| | 3 | Make contact |

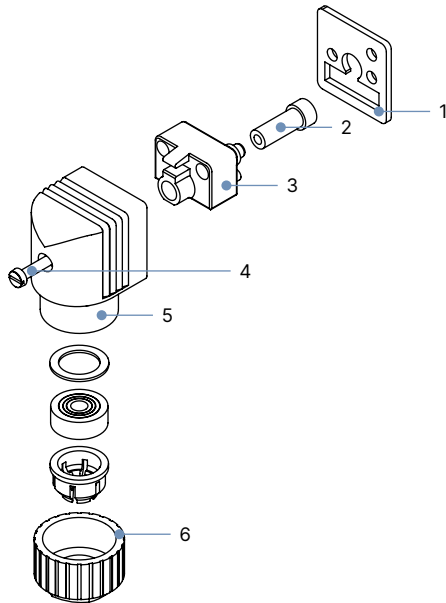
| Connection | No. | Description |
|------------|-----|-------------------|
| | 1 | Solder connection |

DTS 1000282018 EN Version: D Status: RL (released | freigegeben | validé) printed: 22.08.2024

4. Product installation

4.1. Electrical connection instructions

1. Loosen screws **(2)** in contact insert **(3)** and remove contact insert.
2. Feed cable through union nut **(6)**.
3. Connect according to electrical connection scheme.
4. Insert contact insert **(3)** into cap **(5)** and fasten with screw **(2)**.
5. Fasten the complete cap with cap screw **(4)**, making sure that the flat gasket **(1)** is securely seated.
6. Check the valve for function.



| No. | Description |
|-----|----------------|
| 1 | Flat seal |
| 2 | Screw |
| 3 | Contact insert |
| 4 | Cylinder screw |
| 5 | Cap |
| 6 | Union nut |

5. Ordering information

5.1. Bürkert eShop



Bürkert eShop – Easy ordering and quick delivery

You want to find your desired Bürkert product or spare part quickly and order directly? Our online shop is available for you 24/7. Sign up and enjoy all the benefits.

[Order online now](#)

5.2. Bürkert product filter



Bürkert product filter – Get quickly to the right product

You want to select products comfortably based on your technical requirements? Use the Bürkert product filter and find suitable articles for your application quickly and easily.

[Try out our product filter](#)