

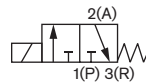
3/2-Way Solenoid valve for neutral mediums

- G 1/8, G 1/4
- Quick response time
- Compact design
- Ex e mb IIC T4, T5 Gb

Compact 3/2-way solenoid valve in threaded version, direct acting, with epoxy encapsulated coil. For neutral mediums such as compressed air, inert gases, water, oils, hydraulic fluids based on mineral oil.

For control of single-acting cylinders, pneumatic or hydraulic signal transmitters, for evacuation, venting and for two-point control.

Circuit function C



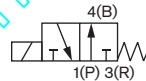
Closed position:

When the coil is currentless, the working port (A) is connected to the exhaust port (R). The pressure port (P) is closed by spring force against the medium's pressure.

Open position:

On applying current the armature closes the exhaust port (R) with magnetic force. The working port is pressurized.

Circuit function D



Open position:

When the coil is currentless the pressure port (P) is connected with the working port (B), the exhaust port (R) is closed by spring force.

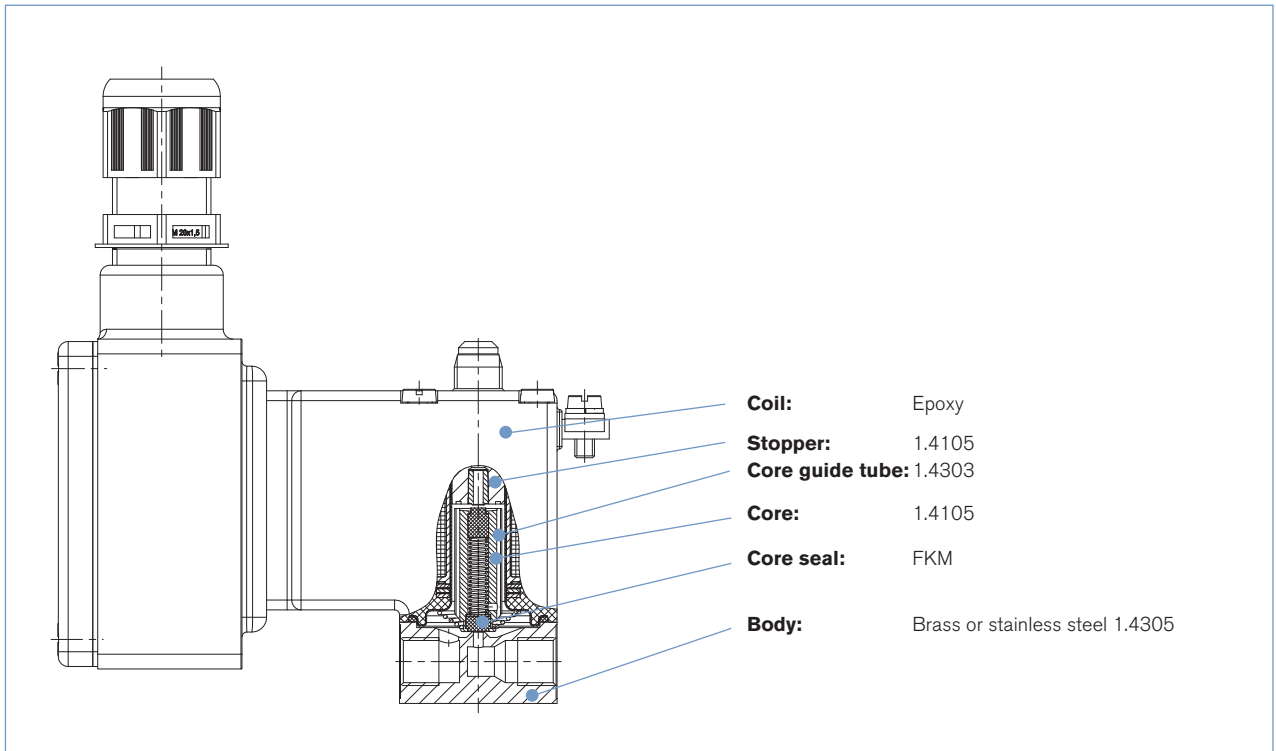
Closed position:

On applying current the armature closes the pressure port (P) with magnetic force. The working port (B) is connected to the exhaust port (R).

Technical data	
Orifice	1,2; 1,5; 2; 2,5; 3
Circuit functions	C, D, E
Port connection	G 1/8", G 1/4", NPT 1/8", NPT 1/4", Flange
Body material	brass, stainless steel
Internal parts	1.4105, 1.4303
Seal material	FKM
Medium	neutral gases and liquids like e.g. compressed air, town gas, water, hydraulic oil
Mediums temperature	
T4	-10 °C to +60 °C
T5	-10 °C to +50 °C
Viscosity	Max. 21 mm ² /s
Response times ¹⁾	
Opening times	ca. 30 ms
Closing times	ca. 60 ms
Cycling rate	approximately 600 cycles/min
Installation	as required (preferably with solenoid system upright)
Type of protection	II 2 G Ex e mb IIC T4, T5 Gb PTB 02 ATEX 2094X Ex mb e II T4, T5, IECEx PTB 05.0064X
Power consumption	
T4	7 W (operating temperature)
T5	5 W (operating temperature)
Ambient temperature	
T4	Max. +60 °C, single mounting
T5	Max. +50 °C, single mounting
Voltage	024/UC 230/UC others on request
Voltage tolerance	±10%
Duty cycle	Continuous operation
Elect. connection	terminal box without fuse, screwed, cable outlet upright
Additional function	Manual override optional

¹⁾ Measured at output A (B) of the electrical switching, to pressure build-up to 90% and pressure drop to 10%, of the maximum operating pressure or maximum 6 bar.

Materials [mm]



DTS 1000219162 EN Version: A Status: PO (Phase out) | Phase out | Phase out | Phase out | printed: 17.12.2024

Phase out

Ordering chart (further versions on request)

Version acc. to Ex e mb IIC T4, all valves with FKM seal, terminal box without fuse, cable outlet upright, only for single mounting (ambient temperature -30 °C to +60 °C).

Circuit function	Flow rate			Port connection (ISO 228)	Coil power [W]	Pressure range ²⁾ [bar]	Body material	Seal material	Weight	Voltage	Manual override	Item no.										
	Orifice DN [mm]	Water kv value [m ² /h]	Air QNn ¹⁾ [l/min]																			
	1,5	0,7	76	G 1/4"	7	0-10	brass	FKM	0,60	024/UC		123 975										
				flange								7	0-10	265 694								
				flange								7	0-10	265 695								
														stainless steel	FKM	0,60		auf Anfrage				
				2,0								0,11	120	G 1/8"	7	0-6	brass	FKM	0,60	024/UC	•	265 573
																						024/UC
	230/UC	265 825																				
	2,5	0,16	175	G 1/4"	7	0-4	brass	FKM	0,60	024/UC	•	265 820										
												024/UC	265 575									
												230/UC	265 576									
				stainless steel	FKM	0,60	024/UC	•	265 835													
		2,0	0,11	120	G 1/8"	7	0-6	brass	FKM	0,60			auf Anfrage									
stainless steel													FKM	0,60	230/UC	265 511						

Ordering chart (further versions on request)

Version acc. to Ex e mb IIC T5, all valves with FKM seal, terminal box without fuse, cable outlet upright, only for single mounting (ambient temperature -30 °C to +50 °C).

Circuit function	Flow rate			Port connection (ISO 228)	Coil power [W]	Pressure range ²⁾ [bar]	Body material	Seal material	Weight	Voltage	Manual override	Item no.	
	Orifice DN [mm]	Water kv value [m ² /h]	Air QNn ¹⁾ [l/min]										
	1.2/1.5	0.05	55	flange	5	0-10	PA	FF	0.60	024/UC	•	265 559	
												024/UC	265 528
												230/UC	265 634
	1.2/1.5	0.05	55	flange	5	0-10	MS	FF	0.60	230/UC	•	265 530	
												230/UC	265 636

¹⁾ Measured at 6 bar inlet pressure and 1 bar pressure differential across the valve at a temperature of +20 °C

²⁾ Also applies for technical vacuum.

Ordering Information: Device Type and order no. for these specifications also appear in the order confirmation, delivery notes and invoices.

i Further versions on request

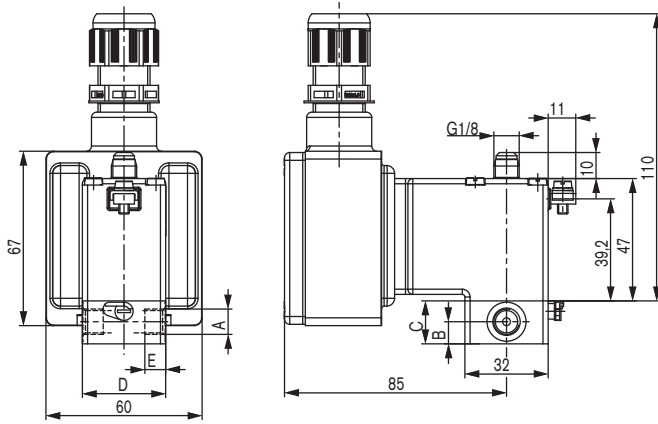
⚡ Voltage

Ordering chart accessories (middle delay fuse for Types with coil 0641)

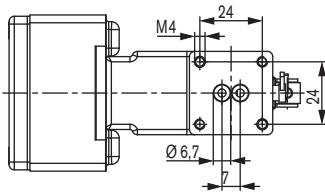
Voltage [V]	Coil power [W]	Fuse nominal value [mA]	Item no.
24	7	800	153 737
230	7	80	153 745

Dimensions [mm]

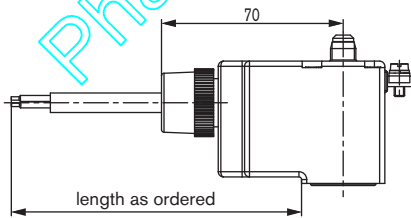
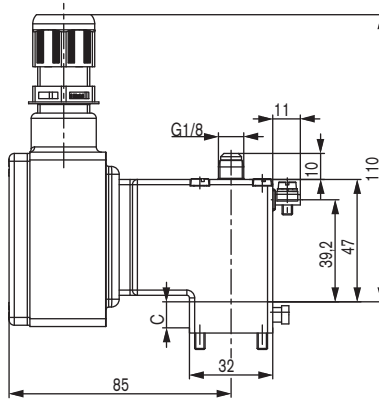
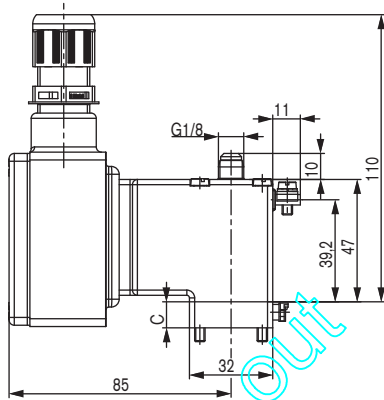
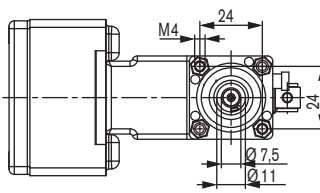
Threaded version



Flange version FB01



Flange version FK01



Port connection	Material	A [inch]	B	C	D	E
Threaded	Brass,	G 1/8	8.5	16.5	32	8
	stainless st.	G 1/4	11	22.5	46	12
Threaded	Brass,	NPT 1/8	8.5	16.5	32	7
	stainless st.	NPT 1/4	11	22.5	46	10
Flange	Brass,	-	-	10	32	-
Flange	stainless st.	-	-	10	32	-
Flange	PA	-	-	12	32	-

To find your nearest Bürkert facility, click on the orange box →

www.burkert.com

In case of special application conditions, please consult for advice.

Subject to alteration.
© Christian Bürkert GmbH & Co. KG

1405/1_EU-en_00895257

DTS 1000219162 EN Version: A Status: PO (Phase out) | Phase out | Phase out | printed: 17.12.2024