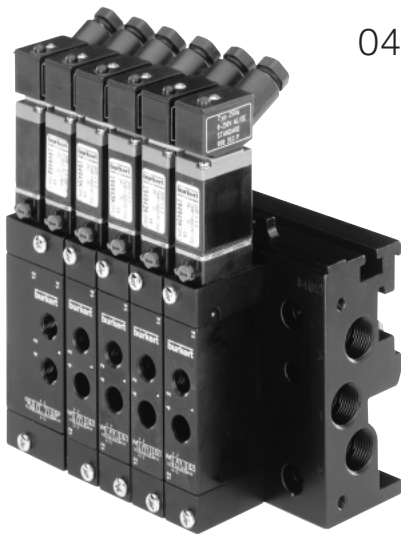


Process Actuation System for Hazardous Areas



0450 EExi

High Flow ALUMINUM Valves

- ✓ EEx ia IIC T6 approved
- ✓ Optimized System Solutions for hazardous areas
- ✓ High Flow Rates
- ✓ Long service life even with non-lube conditions
- ✓ Pre-tested and supplied easy to connect

Hazardous Areas

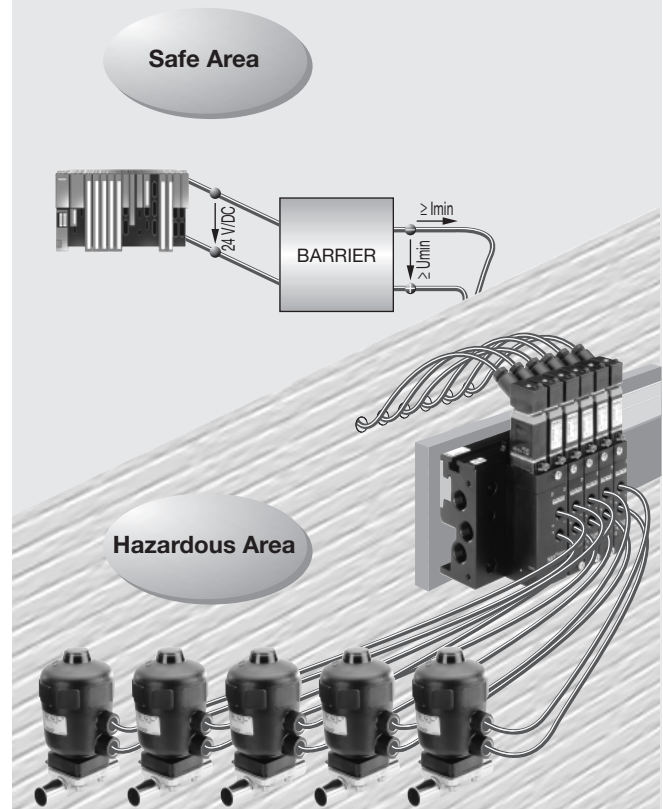
0450 EExi

The multi-way valve type 0450 Ex brings Burkert's 0450 centralized process actuation solution to hazardous areas. Its high flow rates in combination with the aluminum bodies allow a wide range of applications. Most commonly used safety barriers are approved for applications with the 0450 EExi. For easy installation, the valves can (on request) be supplied pre-wired to WAGO and Harting junction boxes.

Specification

Valve type	0450 EExi
Materials	Aluminum anodised Valve body Valve internals Seals
Pneumatic modules	Aluminum anodised
Fluids	Filtered compressed air, lubricated or unlubricated
Manual override	Standard
Valve port connection	G $\frac{1}{8}$
Rating	IP 65 with plugs
Power supply	24 V/DC
Certification	EEx ia IIC T6
Intrinsically safe barrier	Required
Ambient Temperature	-10 up to +50°C at T6 -10 up to +60°C at T5
Configuration	To customer requirement
Electrical connection options	Cable plug 2506 EaseOn cable plug 2510
Prewired junction boxes	WAGO (on request) Harting (on request)

- Applications:**
- Chemical Industry
 - Pharmaceutical Processing Equipment
 - Cosmetic Processing Equipment
 - Water Treatment / Processing Equipment

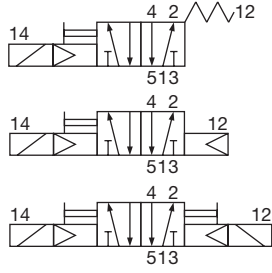


Process Actuation System for Hazardous Areas

Technical Data

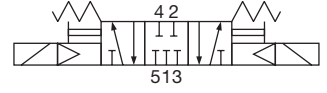
Function H

5/2 way valve, servo-assisted, in de-energized position, port 2 pressurized and port 4 exhausted. Different returns incl. impulse valve



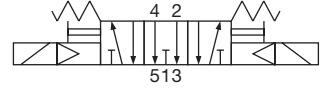
Function L

5/3 way valve, servo-assisted, in middle position, all ports locked



Function N

5/3 way valve, servo-assisted, in middle position, ports 2 and 4 exhausted



Valve Characteristics

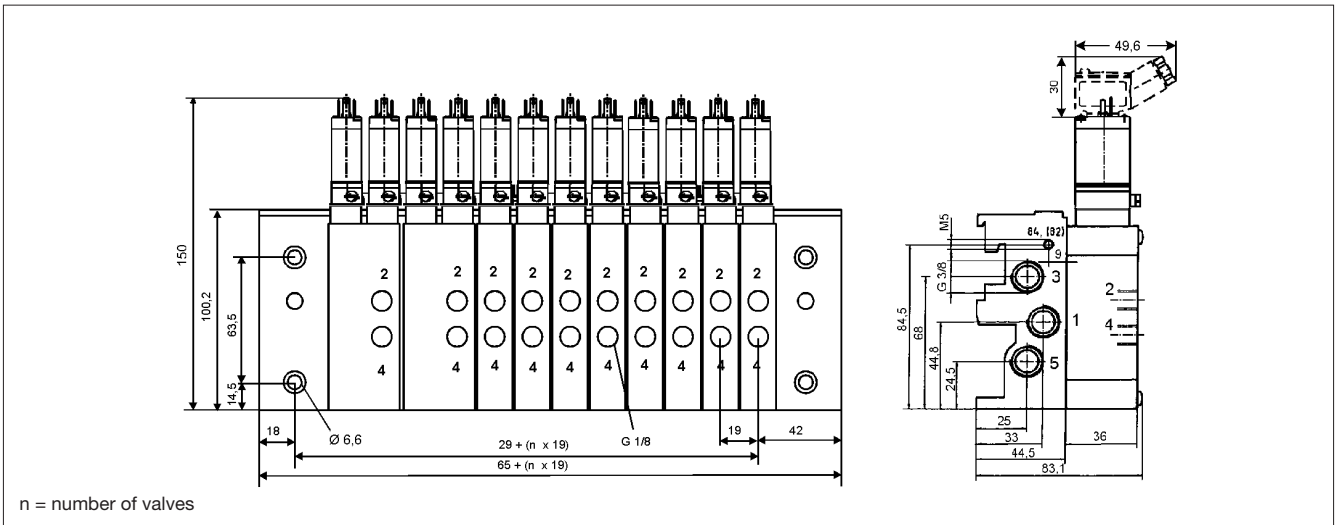
Circuit function	Flow rate [l/min]	Pressure range [bar]	Reset	Response times		Item-No.
				opening [ms]	closing [ms]	
H (5/2)	750	2 – 8	air spring	19	25	194 941 L
H (5/2)	750	2 – 8	spring	17	27	194 943 N
H (5/2)	750	2 – 8	impulse*	16	16	194 944 P
L (5/3)	650	2 – 8	spring*	17	27	194 945 Q
N (5/3)	650	2 – 8	spring*	16	16	194 946 R

* valves have double mounting dimensions (36 mm wide)

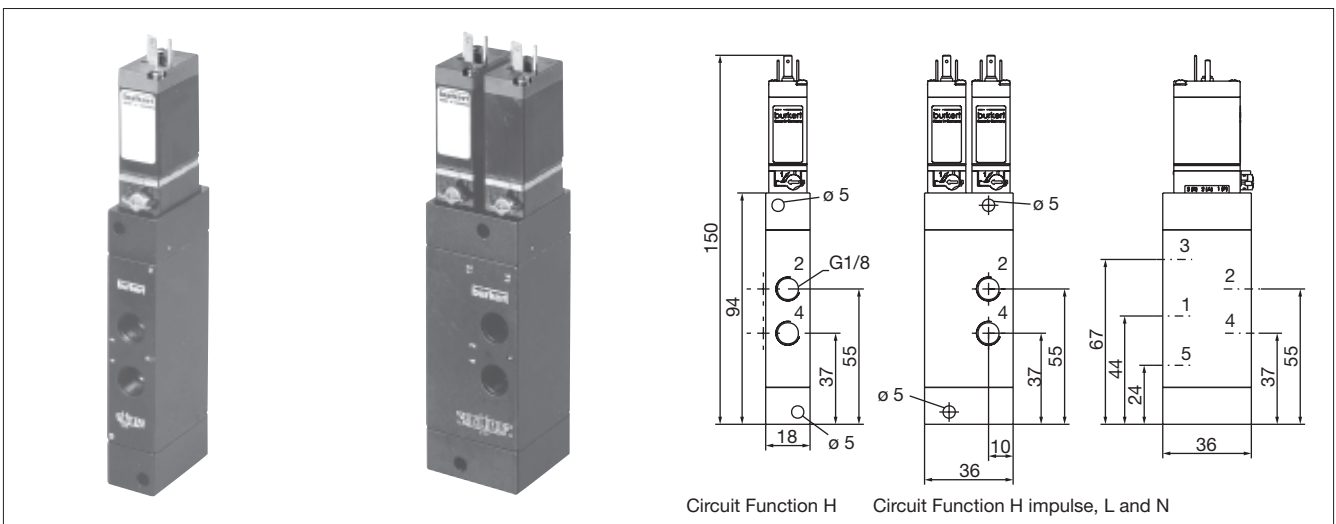
0450
EE

Process Actuation System for Hazardous Areas

Dimensions [mm] with 0450 EExi Valves

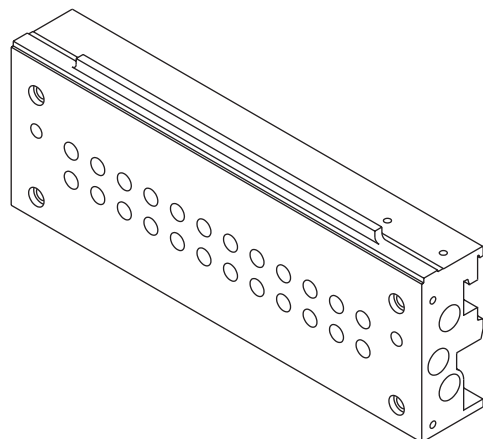


Dimensions [mm] 0450 EExi



Pneumatic Modules 0450 EExi

Number of valves	Item-No.
4	194 256 V
6	194 264 V
8	194 265 W
10	194 266 X
12	194 267 Y
14	194 268 H
16	194 269 A
18	194 270 F
20	194 271 U
22	194 272 V
24	194 273 W
Blind cover*	194 379 G



Hazardous Areas

0450
EExi

Process Actuation System for Hazardous Areas

Approved Barriers for Use with 0450 EExi

Supplier	Type	Max. Resistance at 55°C
Bartec	Modex 07-7311-93M6/P060	144 Ω
	19-100.2801/1010	163 Ω
CEAG	SB-0728	100 Ω
	SB-1728	100 Ω
	6/915-7	70 Ω
	7/915-7	70 Ω
	2/915-7	70 Ω
	4/915-7	70 Ω
	5/915-7	70 Ω
	LB 2112	154 Ω
	FB 2112	154 Ω
Hima	F3328 (Characteristics A or C)	140 Ω
H & B	V17132-55	273 Ω
	V17332-61	200 Ω
MTL	728	140 Ω
	4021	154 Ω
	4728	110 Ω
	7028+	108 Ω
	7028-	108 Ω
	4025	93 Ω
	5025	68 Ω
	8215-DO-IS	195 Ω
	P & F	KFD2-SD-Ex1.48
KFD2-SL-Ex1.48		97 Ω
KFD2-SD-Ex1.48.90A		97 Ω
KFD2-SL-Ex1.48.90A		97 Ω
Z 728		140 Ω
Z 828		140 Ω
Z 728.CL		140 Ω
Z 828.CL		140 Ω
KSD2-BO-Ex		173 Ω
RSD-BO-Ex4		106 Ω
VAA-2EA-G5-N/V1-Ex		203 Ω
EGA-041-3		120 Ω
ED2-VD-Ex.2.1835		160 Ω
Phoenix Contact	PI/Ex-SD/22/45-C	191 Ω
Stahl	9351/10-16-10	163 Ω
	9151/10-16-10	193 Ω
	9475/12-04-21	144 Ω
	9475/12-04-31	82 Ω
	9475/12-08-51	54 Ω
	9651/40-16-10	233 Ω
	9001/01-280-100-10	138 Ω
	9001/01-252-100-14	182 Ω
Turck	MC 72-41Ex-T	157 Ω
	MC 72-43Ex-T	157 Ω