



Type 0340 can be combined with...



#### Type 2508

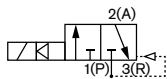
Cable plug

## 3/2-way solenoid valve for gases and fluids

- Service friendly manual override
- Analytical pilot valve for increased safety
- Optimized piston design for low switching pressure
- Energy saving impulse coil
- Explosion proof types

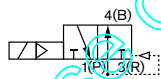
The pilot-controlled 3/2-way solenoid valve Type 0340 with smoothly operating servopiston requires a differential pressure of 0.5 bar for complete opening and closing. A 3/2-way pilot valve (pivoted armature valve) ensures safe and reliable operation.

#### Circuit function C



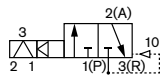
3/2-way valve, when de-energized outlet port A exhausted, with 3-way pilot control

#### Circuit function D



3/2-way valve, when de-energized outlet port B pressurized, with 3-way pilot control

#### Circuit function C (Impulse)



3/2-way valve, when de-energized outlet port A exhausted, with 3-way pilot control

#### Technical data

<b>Orifice</b>	DN 8 - 40 mm
<b>Body material</b>	Brass
<b>Seal material</b>	NBR
<b>Medium</b>	Neutral medium: Compressed air, water, hydraulic oil
<b>Medium temperature</b>	0 to +90 °C
<b>Ambient temperature</b>	Max. +55 °C
<b>Viscosity</b>	Max. 21 mm <sup>2</sup> /s
<b>Voltage tolerance</b>	±10%
<b>Duty cycle</b>	Continuous operation 100% ED
<b>Electrical connection</b>	Cable plug for Ø 7 mm cable (included in delivery) Ex-Version only with terminal box or 3 m cable
<b>Protection class</b>	IP65 with Cable Plug or terminal box
<b>Installation</b>	As required, preferably with actuator upright

<b>Flow rate</b> Kv value water [m <sup>3</sup> /h]	measured at +20 °C, 1 bar pressure at valve inlet and free outlet (see ordering chart)
<b>Pressure values [bar]</b>	Overpressure to the atmospheric pressure (see ordering chart)
<b>Response times [ms]:</b> Opening Closing	Measured at valve outlet at 6 bar and +20 °C Pressure rise 0 to 90%, Pressure drop 100 to 10% (see ordering chart)

## Technical data

### Standard version

Orifice [mm]	Kv value water PDA [m <sup>3</sup> /h]	Port connection A/B and P		Pressure range [bar]	Electr. power consumption				Response times		Weight [kg]
		G	NPT		Inrush AC [VA]	DC [W]	[VA] AC [VA/W]	DC [W]	Opening [ms]	Closing [ms]	
8	0.95	1/4	1/4	0.5 - 16	30	8	15/8	8	25	25	1.0
12	2.30	3/8	3/8						30	30	1.2
12	2.60	1/2	1/2						30	30	1.2
20	6.60	3/4	3/4						40	40	2.2
40	24.00	1 1/2	1 1/2						120	120	6.8

### Impulse version

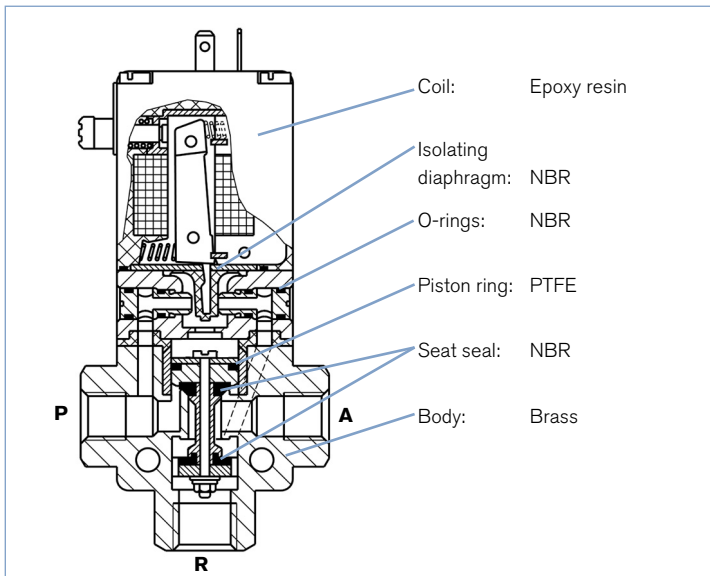
Orifice [mm]	Kv value water PDA [m <sup>3</sup> /h]	Port connection A/B and P		Pressure range [bar]	Electr. power consumption		Response times		Weight [kg]
		G	NPT		Inrush AC [VA]	DC [W]	Opening [ms]	Closing [ms]	
8	0.95	1/4	1/4	0.5 - 16	11	11	25	25	1.0
12	2.30	3/8	3/8				30	30	1.2
12	2.60	1/2	1/2				30	30	1.2
20	6.60	3/4	3/4				40	40	2.2
40	24.00	1 1/2	1 1/2				120	120	6.8

### Explosion proofed version with temperature class T5

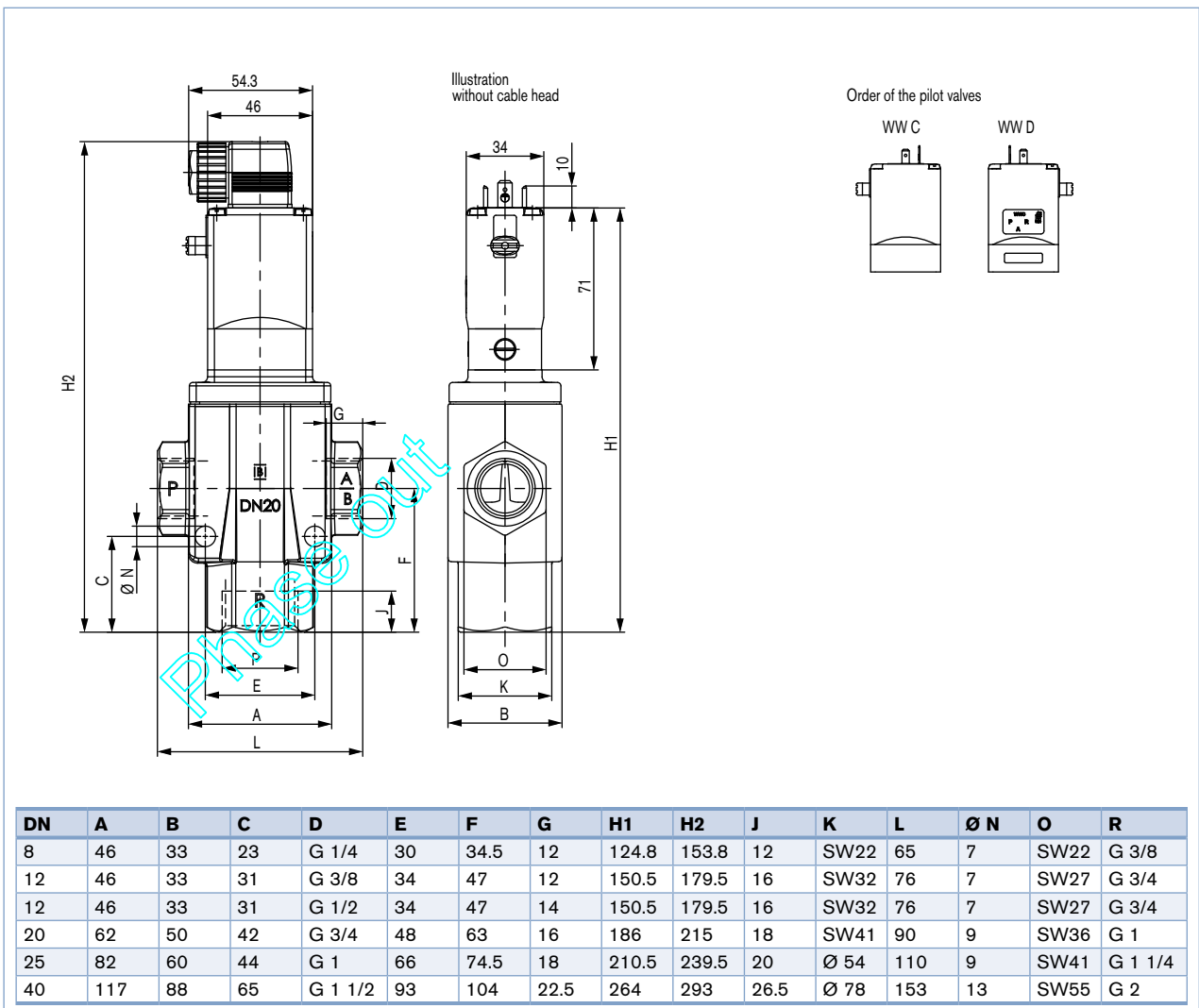
Orifice [mm]	Kv value water PDA [m <sup>3</sup> /h]	Port connection A/B and P		Pressure range [bar]	Electr. power consumption		Response times		Weight [kg]
		G	NPT		Inrush AC [VA]	[VA] AC [VA/W]	Opening [ms]	Closing [ms]	
8	0.95	1/4	1/4	0.5 - 16	40	3	25	25	1.0
12	2.30	3/8	3/8				30	30	1.2
12	2.60	1/2	1/2				30	30	1.2
20	6.60	3/4	3/4				40	40	2.2
25	10.00	1	1	0.5 - 10			70	70	2.7

The orifice size of connection R is larger than the ports A / B and P (see table of dimensions). Thus, the AR flow rate increases by a factor of 1.5 to 2 in the table value.

Material

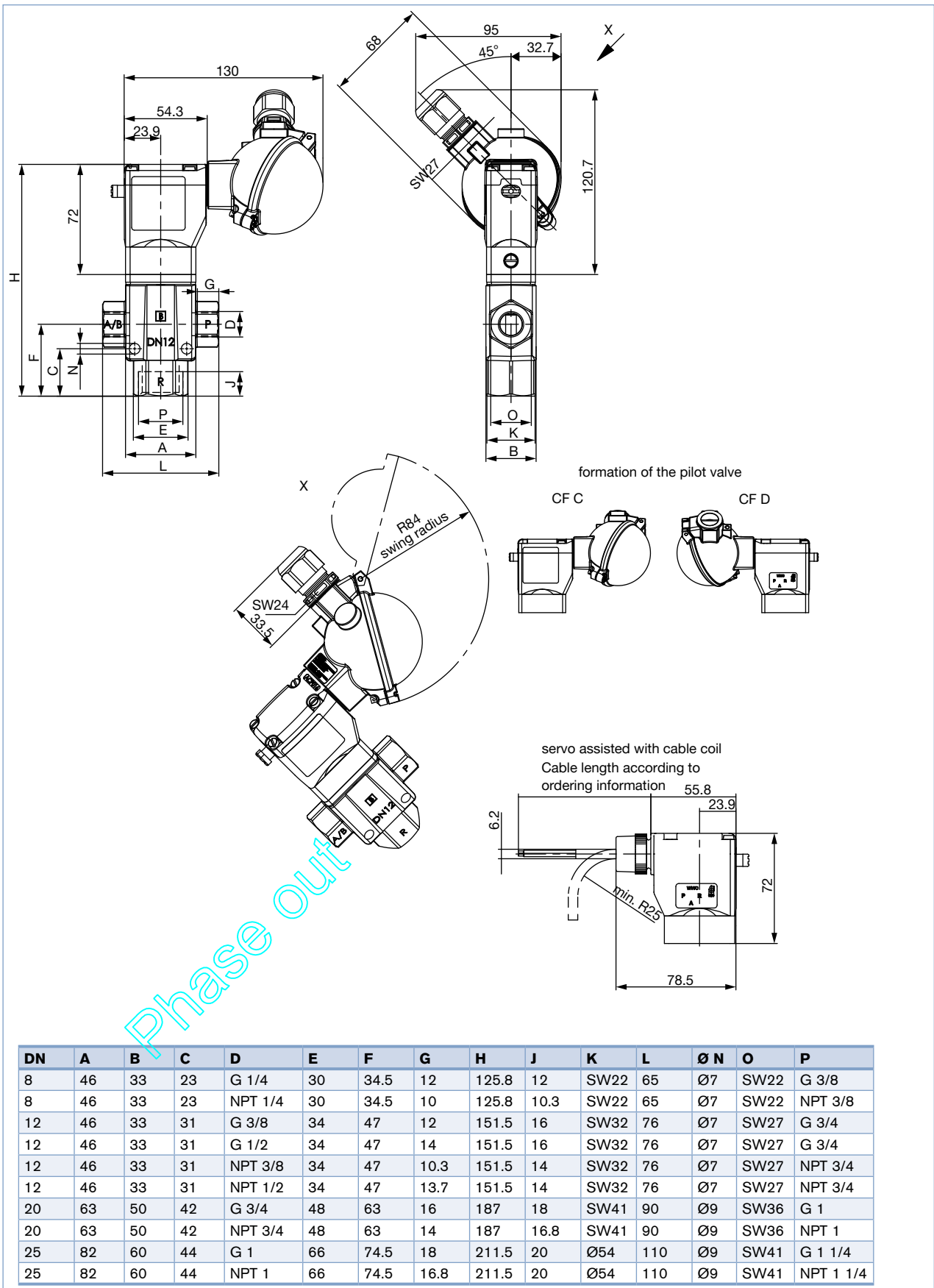


Dimensions [mm] - Standard version



The diagram shows the valve with circuit function C with the terminals P, R and A / B. (see drawing). In circuit function D the manual operation is above port A / B.

Dimensions [mm] - Explosion proof version



## Ordering charts standard version (other versions on request)

All valves with manual override, brass body, NBR seal and cable plug

Circuit functions	Orifice [mm]	Port connection G or NPT	Kv value water P→A [m <sup>3</sup> /h]	Pressure range [bar]	Voltage/Frequency [V/Hz]	Item no. G	Item no. NPT
<b>C</b> A 3/2-way valve NC 	8.0	1/4	0.95	0.5 - 16	012/DC	042506 價	x
					024/DC	041317 價	x
					024/50	041318 價	x
					110/50	041325 價	x
					230/50	041329 價	x
					024/50	041351 價	x
	12	3/8	2.3	0.5 - 16	230/50	041353 價	x
					024/DC	041333 價	x
					024/50	041334 價	151477 價
					110/50	041340 價	x
					230/50	041346 價	x
					240/50	042277 價	x
	20	3/4	6.6	0.5 - 16	024/DC	041354 價	x
					024/50	041665 價	x
					110/50	041359 價	125822 價
					230/50	041361 價	x
024/DC					041537 價	x	
110/50					042864 價	120389 價	
25	1	10.0	0.5 - 10	230/50	041364 價	x	
				024/DC	042319 價	x	
				230/50	041366 價	x	
				024/DC	042319 價	x	
				230/50	041366 價	x	
				024/DC	042319 價	x	
<b>D</b> 3/2-way valve NO 	8.0	1/4	0.95	0.5 - 16	024/DC	041367 價	x
					024/50	041368 價	x
					230/50	041371 價	x
	12	3/8	2.3	0.5 - 16	230/50	041386 價	x
					024/DC	041374 價	x
					024/50	041375 價	x
	20	3/4	6.6	0.5 - 16	230/50	041380 價	x
					024/DC	x	x
					024/50	x	x
	25	1	10.0	0.5 - 10	110/50	x	x
					230/50	x	x
					024/DC	x	x
40	1 1/2	24.0	0.5 - 10	230/50	x	x	
				024/DC	x	x	
				230/50	x	x	

## Ordering charts - impulse version (other versions on request)

All valves with manual override, brass body, NBR seal and cable plug

Circuit functions	Orifice [mm]	Port connection G or NPT	Kv value water P→A [m <sup>3</sup> /h]	Pressure range [bar]	Voltage/Frequency [V/Hz] <sup>1)</sup>	Item no. G	Item no. NPT				
<b>C</b> 3/2-way valve NC 	8.0	1/4	0.95	0.5 - 16	024/DC	042016 價	x				
					12	1/2	2.6	0.5 - 16	024/DC	044216 價	x
					20	3/4	6.6	0.5 - 10	024/DC	x	x
					40	1 1/2	24.0	0.5 - 10	024/DC	x	x
	8.0	1/4	0.95	0.5 - 16	024/DC	122805 價	x				
					12	1/2	2.6	0.5 - 16	024/DC	043429 價	x
					20	3/4	6.6	0.5 - 10	024/DC	x	x
					40	1 1/2	24.0	0.5 - 10	024/DC	x	x

<sup>1)</sup> Further voltages on request

x Article variant available, order number upon request

### Ordering charts - explosion proofed versions (other versions on request)

All valves with manual actuation, brass body, NBR seals and cable outlet 3 m <sup>1)</sup>

Circuit functions	Orifice [mm]	Port connection G or NPT	Kv value water P→A [m <sup>3</sup> /h]	Pressure range [bar]	Voltage/Frequency [V/Hz]	Item no. G	Item no. NPT
<b>C</b> A 3/2-way valve NC 	8.0	1/4	0.95	0.5 - 16	024/UC	308349 <sup>x</sup>	x
					110/UC	x	x
					230/UC	x	x
	12	3/8	2.3	0.5 - 16	024/UC	x	x
					110/UC	x	x
					230/UC	x	x
					024/UC	308347 <sup>x</sup>	x
					110/UC	309449 <sup>x</sup>	x
					230/UC	308345 <sup>x</sup>	x
	20	3/4	6.6	0.5 - 16	024/UC	x	x
					110/UC	x	x
					230/UC	x	x
25	1	10.0	0.5 - 10	024/UC	x	x	
				110/UC	x	x	
				230/UC	x	x	
<b>D</b> 3/2-way valve NO 	8.0	1/4	0.95	0.5 - 16	024/UC	x	x
					110/UC	x	x
					230/UC	x	x
	12	1/2	2.6	0.5 - 16	024/UC	x	x
					110/UC	x	x
					230/UC	x	x
	20	3/4	6.6	0.5 - 16	024/UC	x	x
					110/UC	x	x
					230/UC	x	x
	25	1	10.0	0.5 - 10	024/UC	x	x
					110/UC	x	x
					230/UC	x	x

<sup>1)</sup> Terminal connection version also available

x Article variant available, order number upon request

Phase Out

To find your nearest Bürkert facility, click on the orange box → [www.burkert.com](http://www.burkert.com)

In case of special application conditions, please consult for advice.

Subject to alterations  
© Christian Bürkert GmbH & Co. KG

1712/6\_EU-en\_00891626